

# ASSEMBLY INSTRUCTION



Recliner chair

# CATALOGUE

---

Precautions	01
Parts List	02
Assembling Process	03-04
Important Tips	05

## INTRODUCTION

Thank you for purchasing our products. Please read the instructions carefully before installation and keep it in a safe place for future reference. If you need any assistance or support, please feel free to contact our customer support team.

## PRECAUTIONS

This package contains numerous components and hardware pieces. Please identify and verify all parts against the parts list before you begin assembly.

**WARNING: Choking Hazard.** This product contains small items. Keep all parts and hardware out of the reach of children during assembly.

To prevent scratches, assemble the product on a soft, non-abrasive surface such as a carpet, blanket, or the flattened cardboard packaging.

Some components are heavy. For safety, we recommend this product be assembled by two adults.

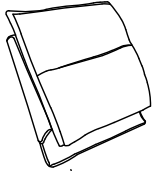
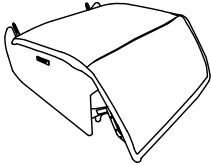
The unit may be unstable until assembly is fully complete. Do not move the product until all steps are finished.

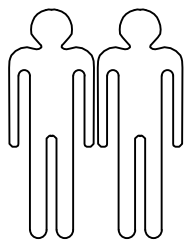
If you encounter any issues or have questions, please contact our customer service team for assistance.

- \* **Please be sure to follow the installation steps in the manual to avoid unnecessary losses caused by improper installation.**
- \* **If you need further assistance, please contact the customer service online.**

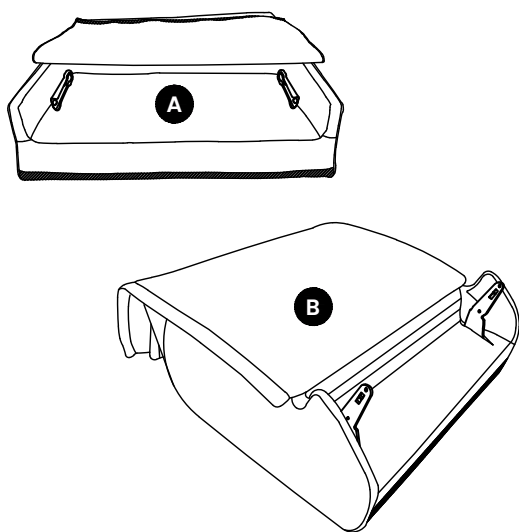
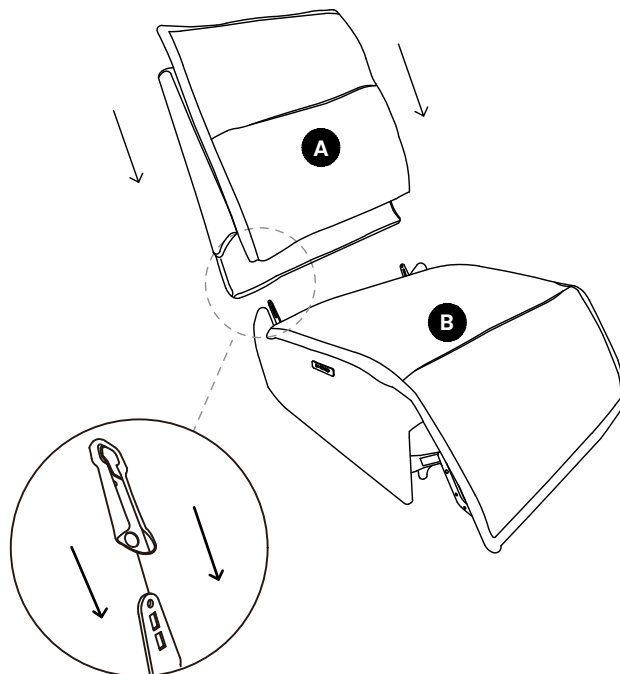
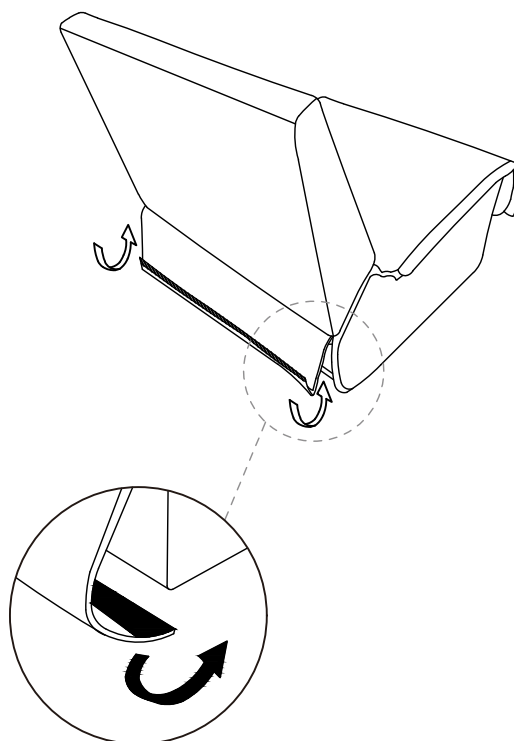
## Parts List

This product is shipped in two boxes.

ID	Parts	QTY
A		1
B		1

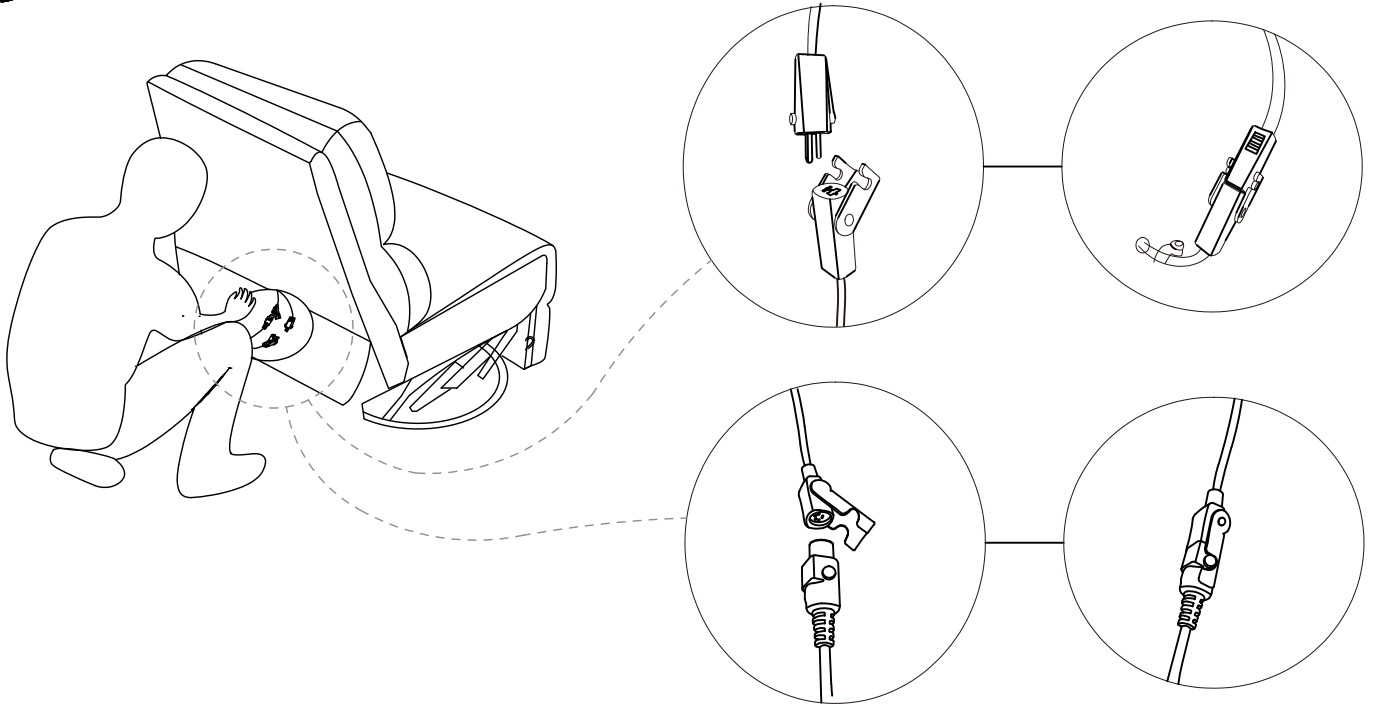


Multi-person installation

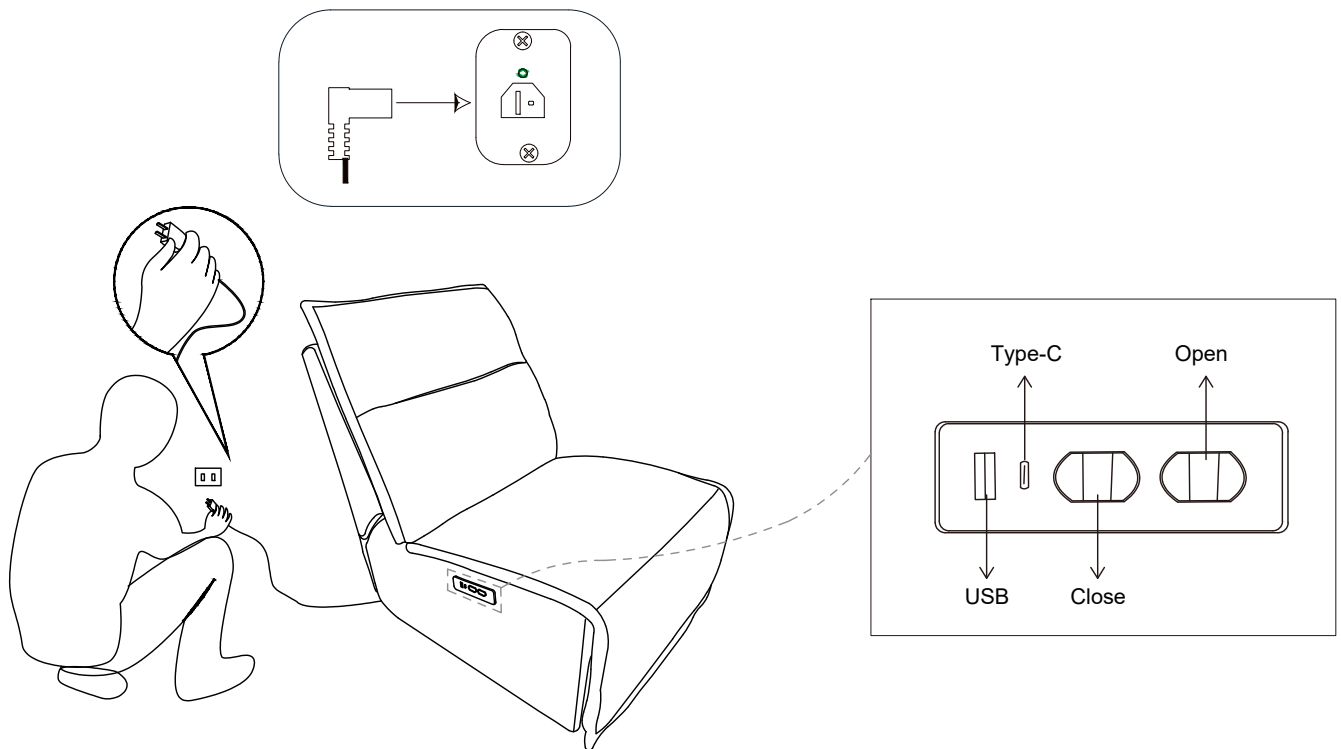
**STEP 1****1****2****3****4**

# STEP 2

5



6



## Fabric Down Sofa Care Guide

### Air-Drying Care: Refresh with Moderate Sunlight

- If the sofa is consistently exposed to humid conditions, it may develop mold or odors. On sunny days, air-dry it outdoors once a month (or every 2–3 months in dry climates). Avoid excessive sun exposure to prevent fabric fading and down fiber damage.
- Limit sun exposure to 2–3 hours. Gently pat the surface during air-drying to help fluff the down. Avoid prolonged exposure (over 4 hours), which may cause fabric stiffness or down clumping.

### Cleaning Care: Keep Your Sofa Fresh

- If the sofa cover is removable (check product specifications—some designs are non-removable), machine wash it on a gentle cycle using a mild detergent in cold water (below 86°F). Do not spin-dry; however, a short dehydration cycle of 1–2 minutes is acceptable. Reattach the cover promptly after drying to prevent fabric shrinkage.

By following these care instructions, your down-filled sofa will remain soft and comfortable for years to come.

If you have any questions, please feel free to reach out to our customer service team!