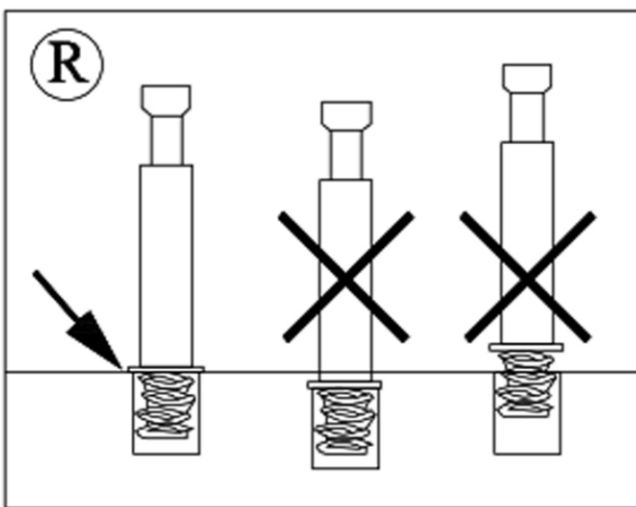
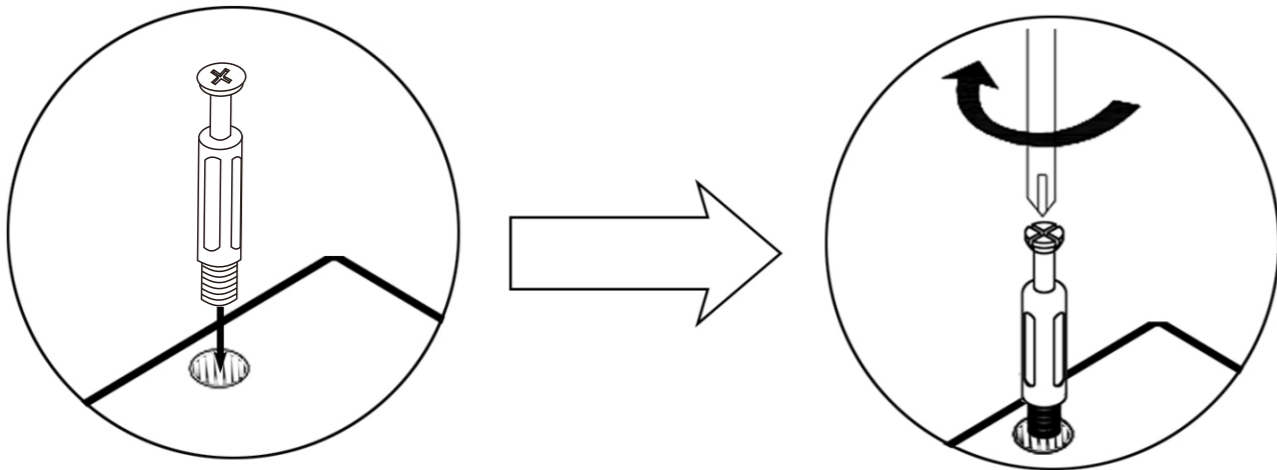






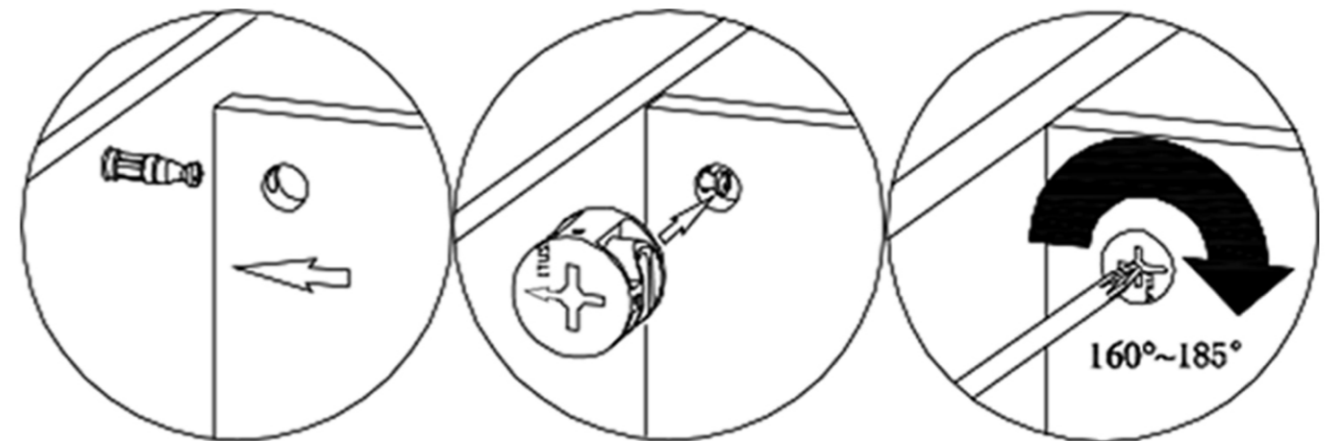
## Hardware installation demonstration

- Please make sure G. I hardware tightened and can't be pulled out



## Hardware installation demonstration

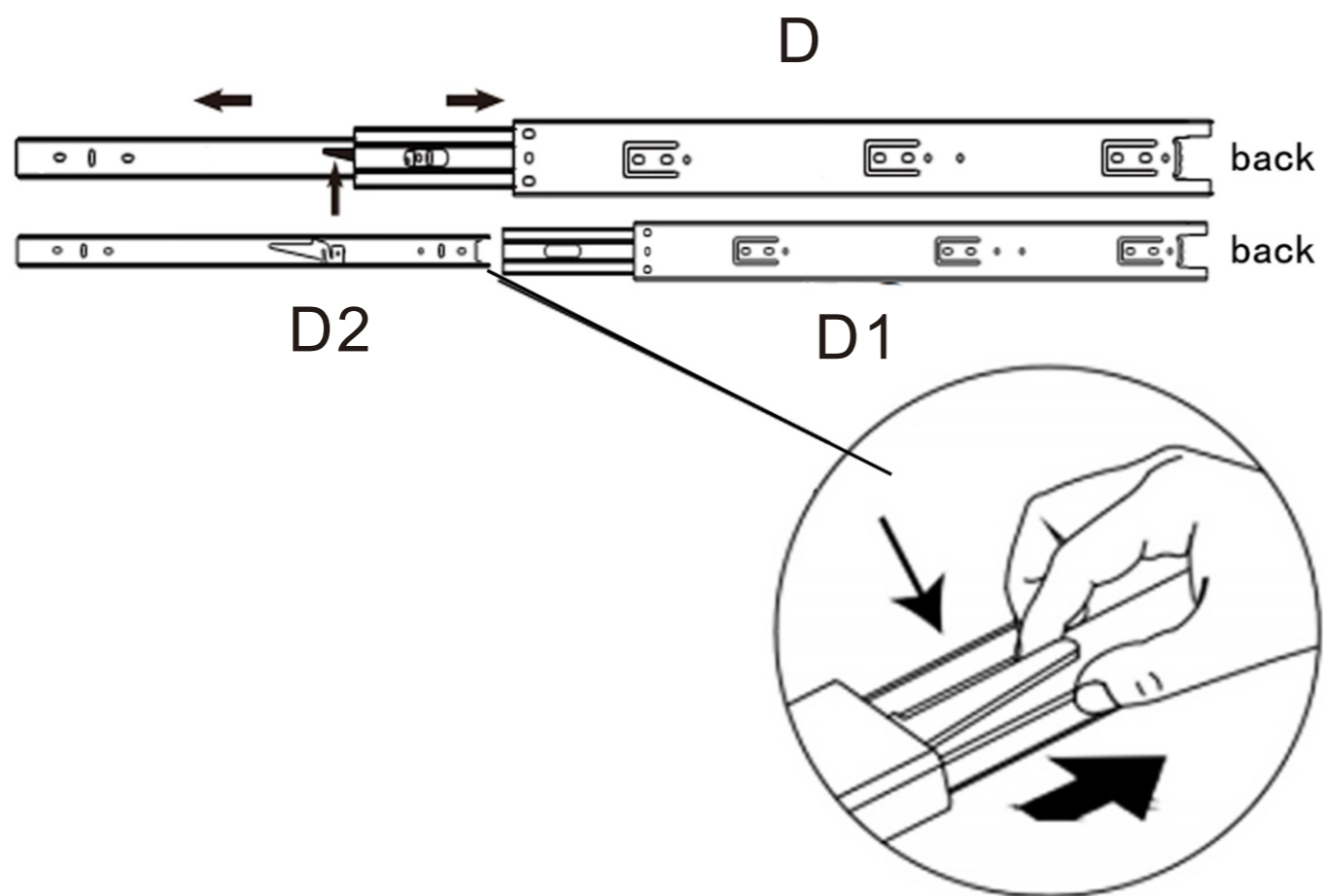
- When inserting cam ensure arrowhead on cam points toward to the hole on the panel edge





## Hardware installation demonstration

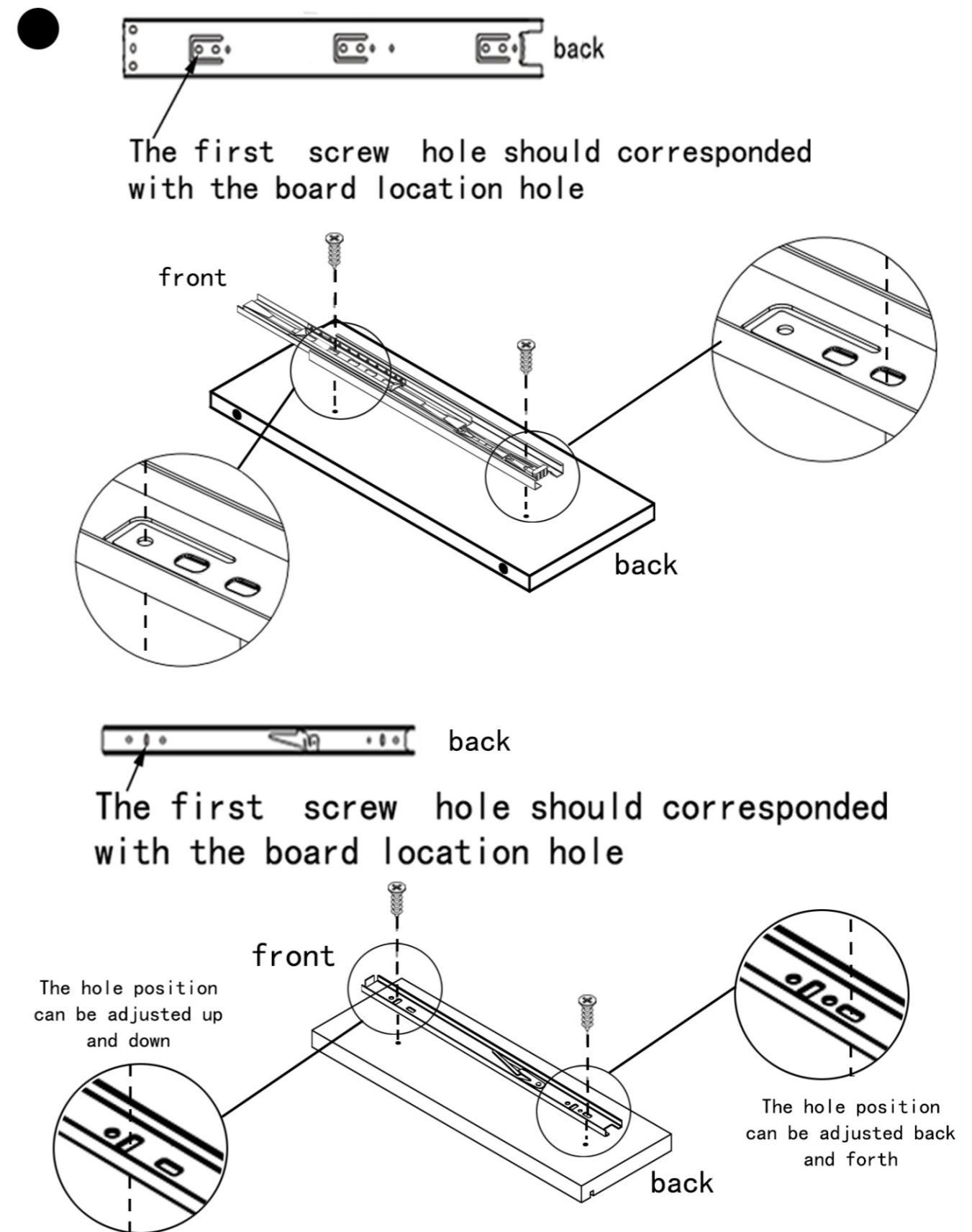
- Before installing the drawer rail, you need to separate the D1 and D2 first.



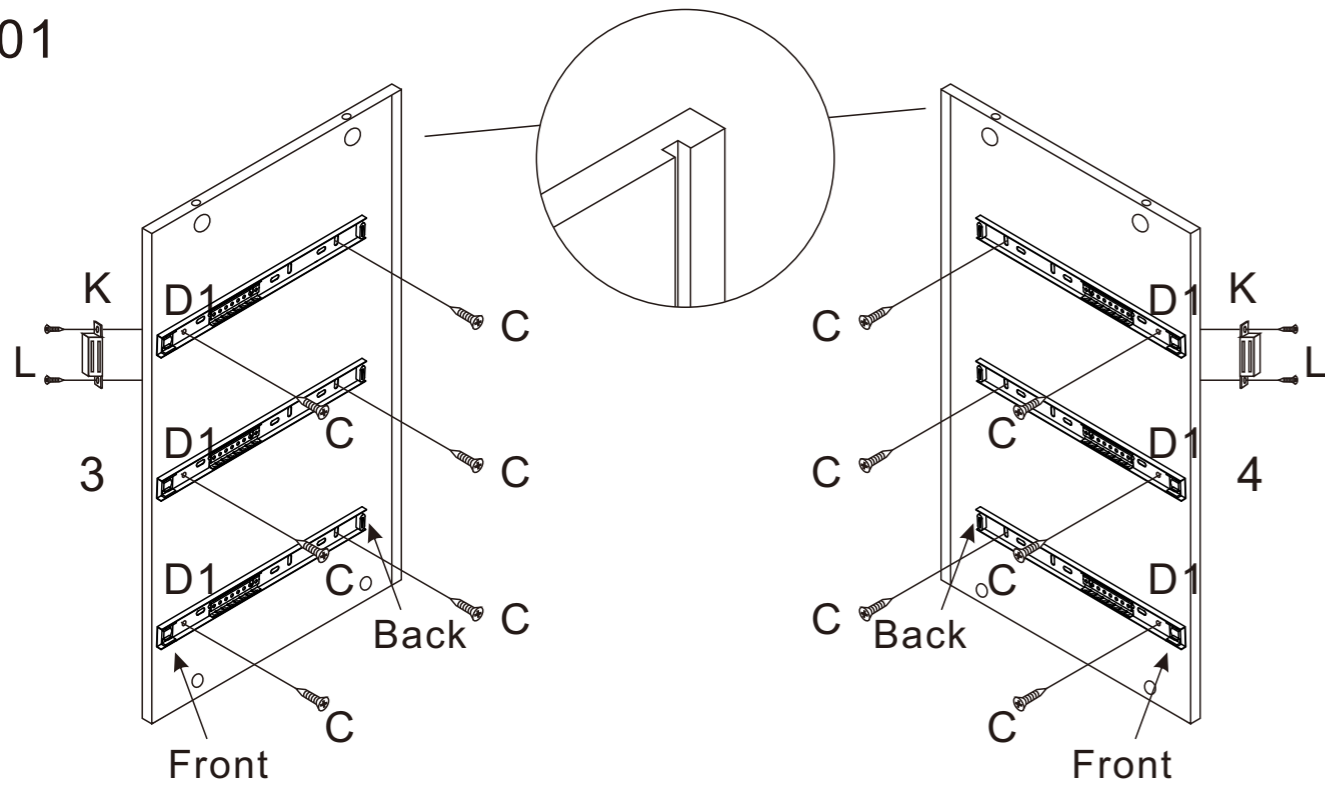
Warm Reminder: Press it and split




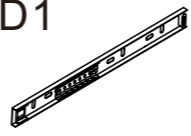


## Hardware installation demonstration

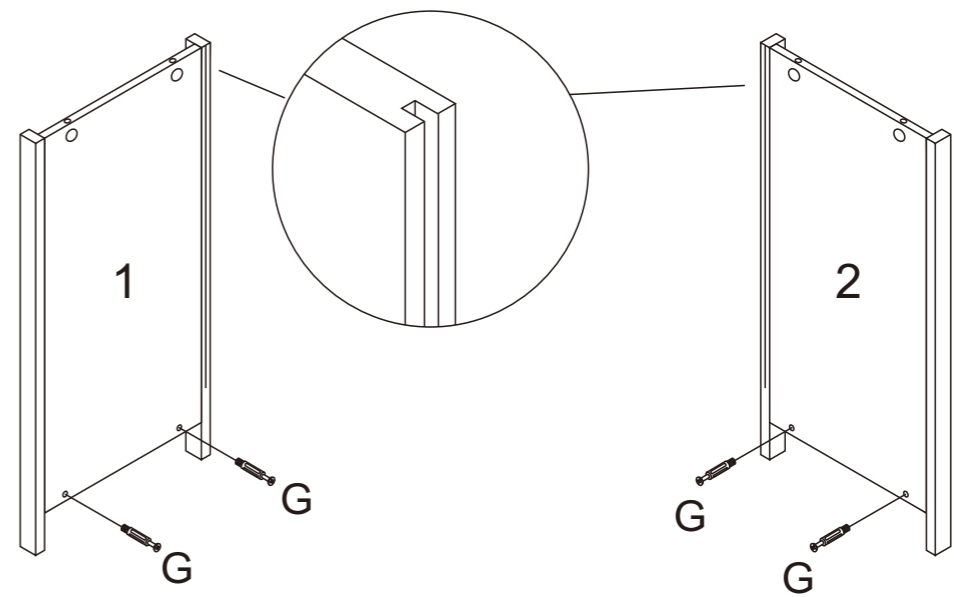



01



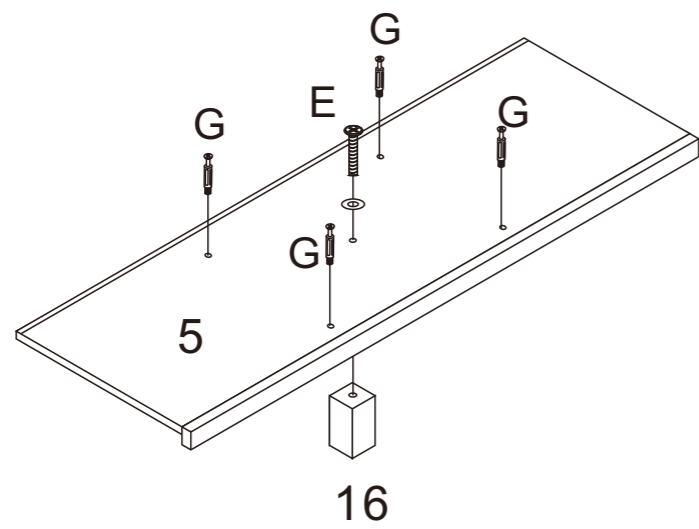
<p>K</p>  <p>x2</p>	<p>L</p>  <p>x4</p>	<p>C</p>  <p>x12</p>	<p>D1</p>  <p>x6</p>
--	--	---	---



03



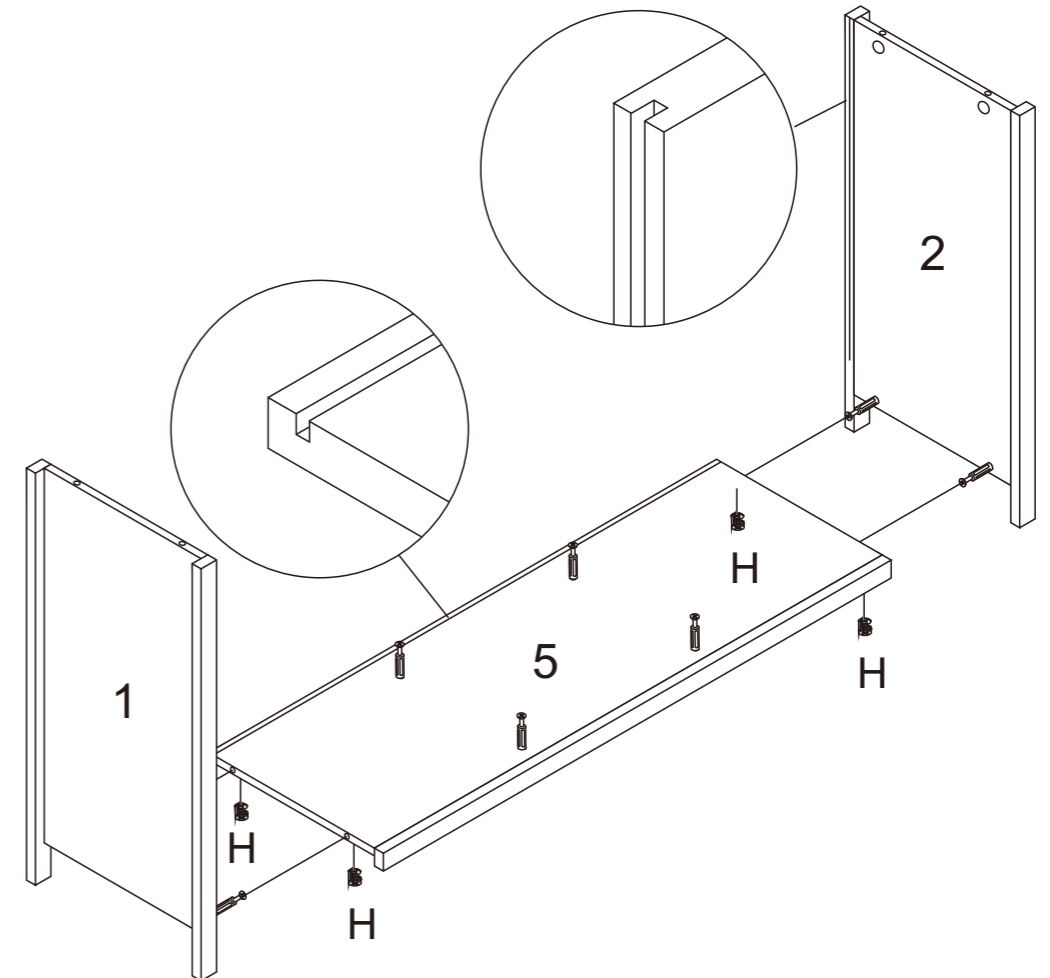
<p>G</p>  <p>40mm</p> <p>x4</p>
--


02



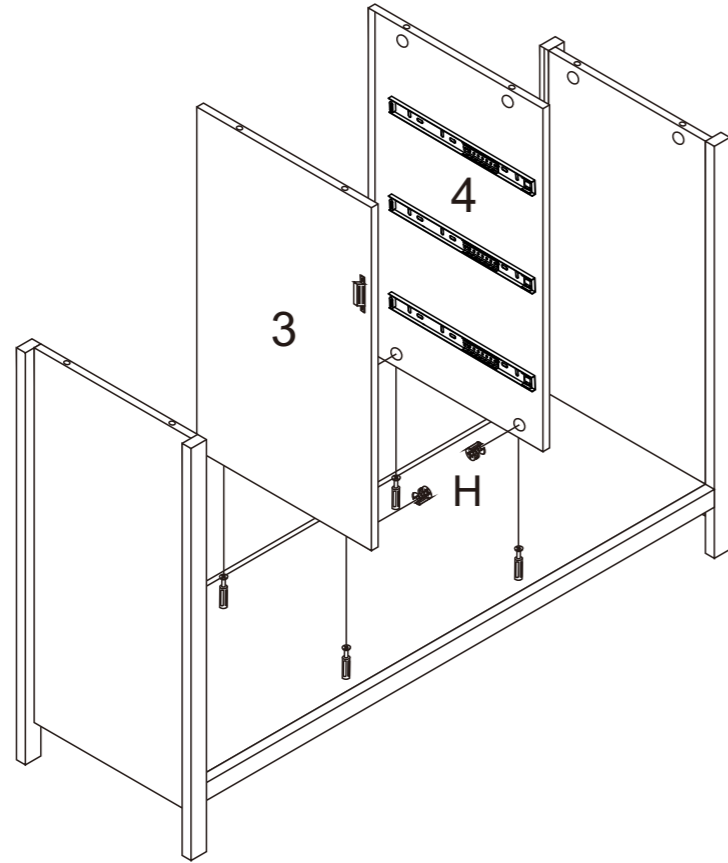
<p>G</p>  <p>40mm</p> <p>x4</p>	<p>E</p>  <p>x1</p>
--	--


04



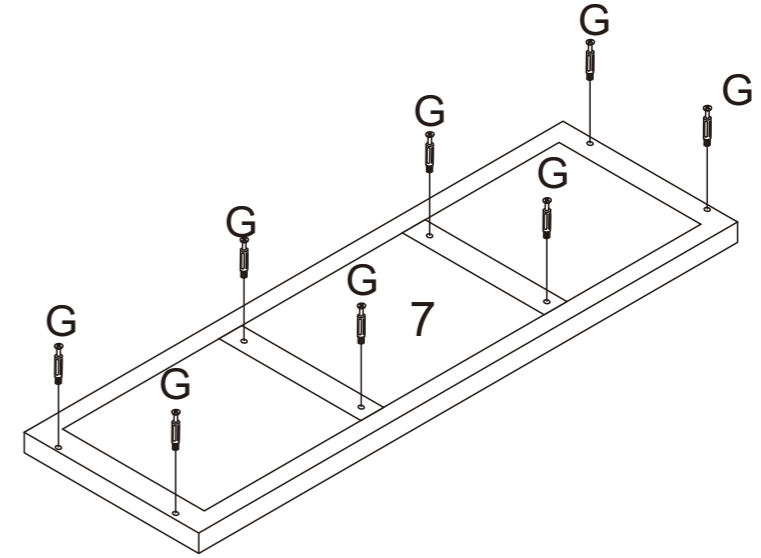
<p>H</p>  <p>15mm</p> <p>x4</p>
--


05



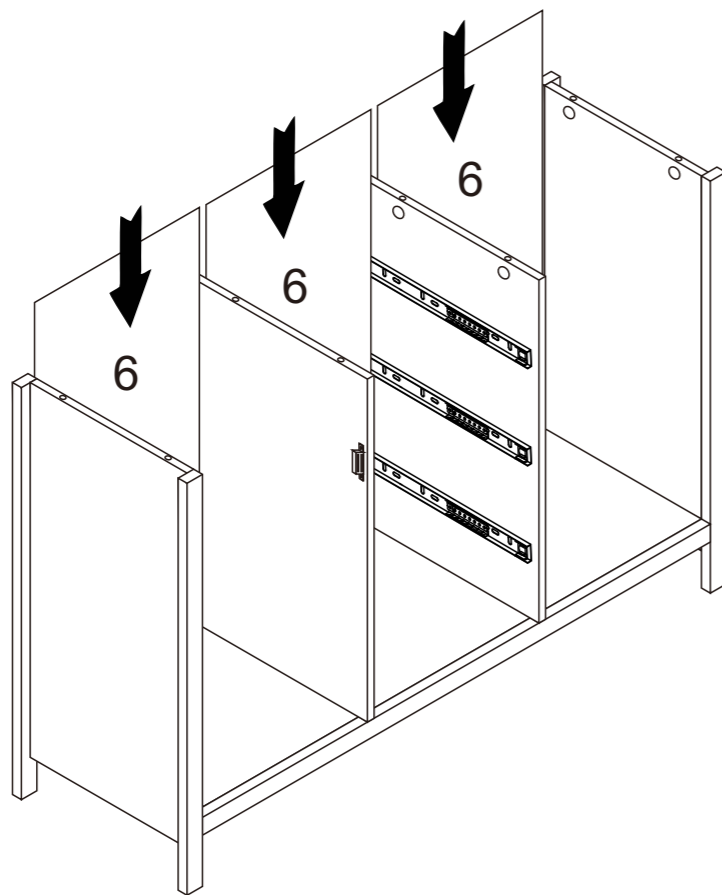
H  
  
 15mm  
 x4

07

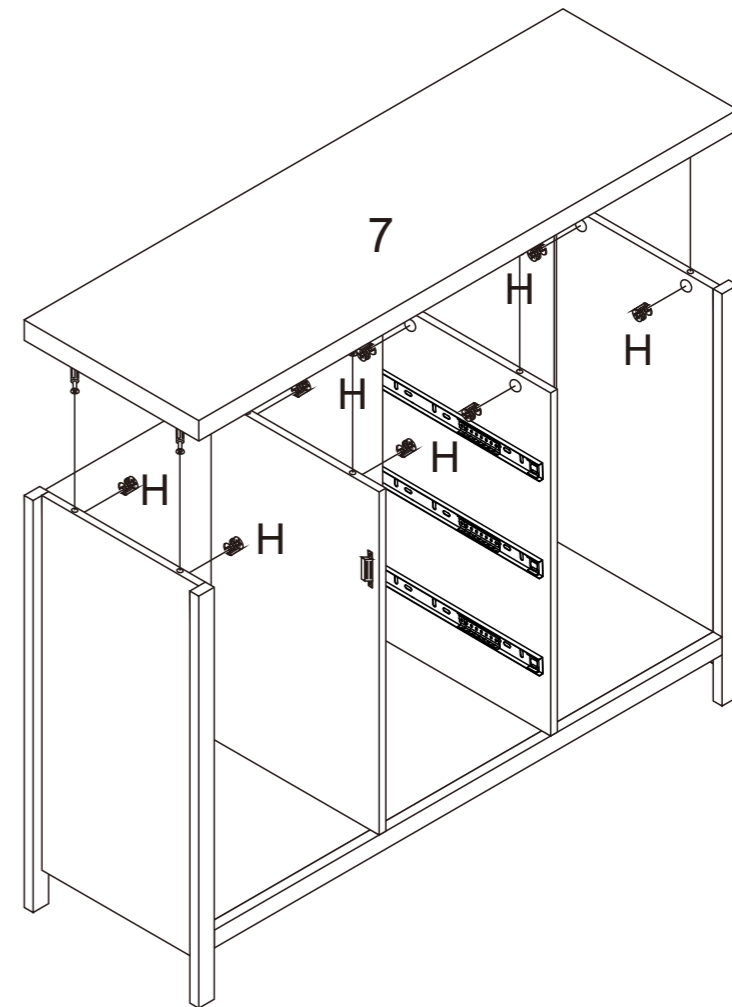



G  
  
 40mm  
 x8

06



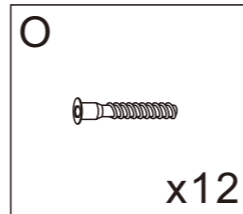
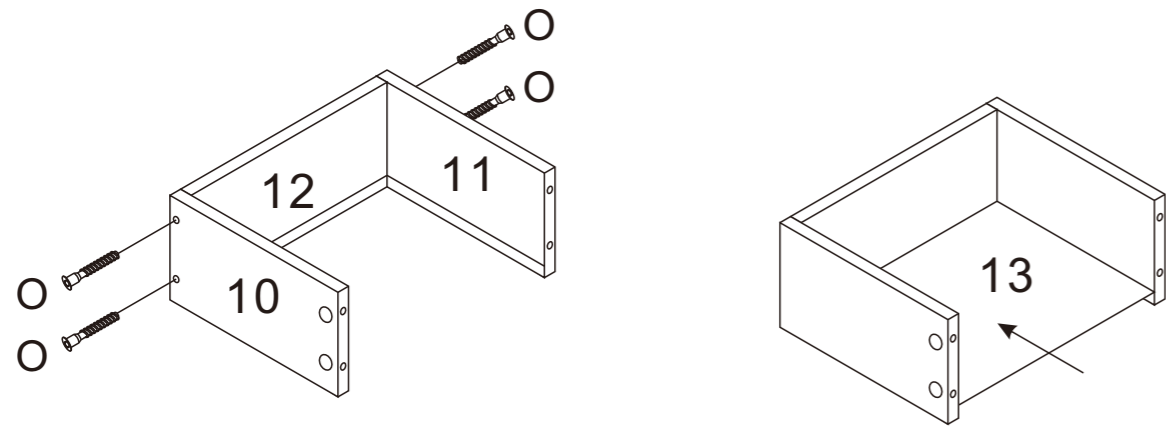
08



H  
  
 15mm  
 x8

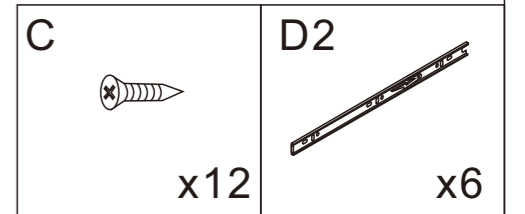
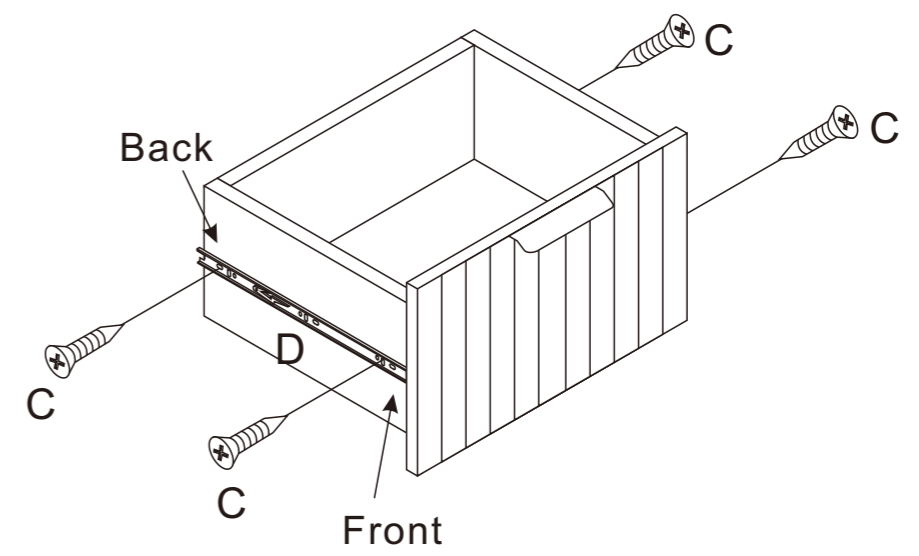
09

x3



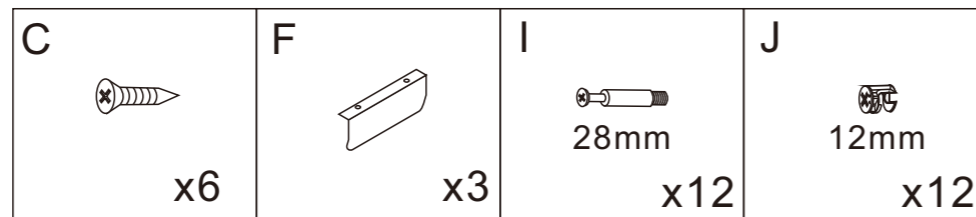
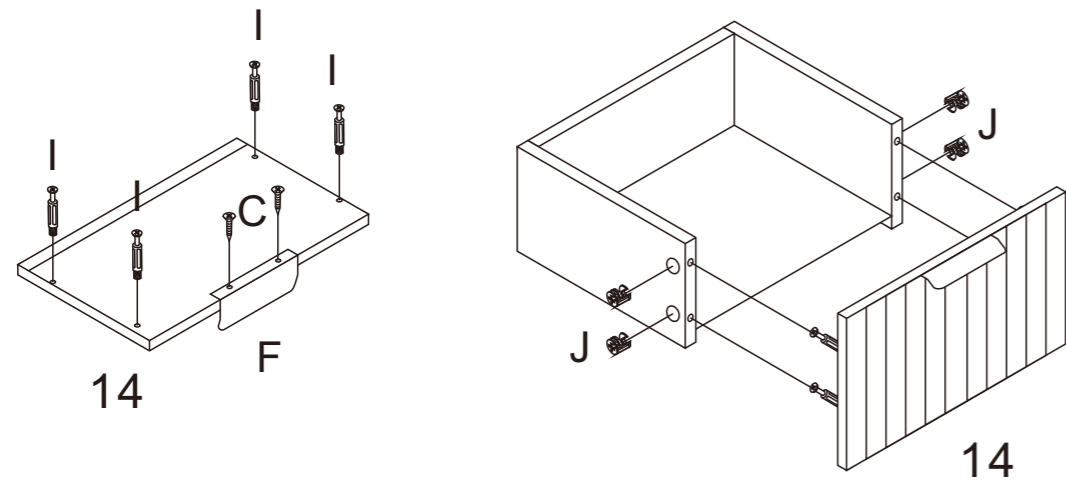
11

x3

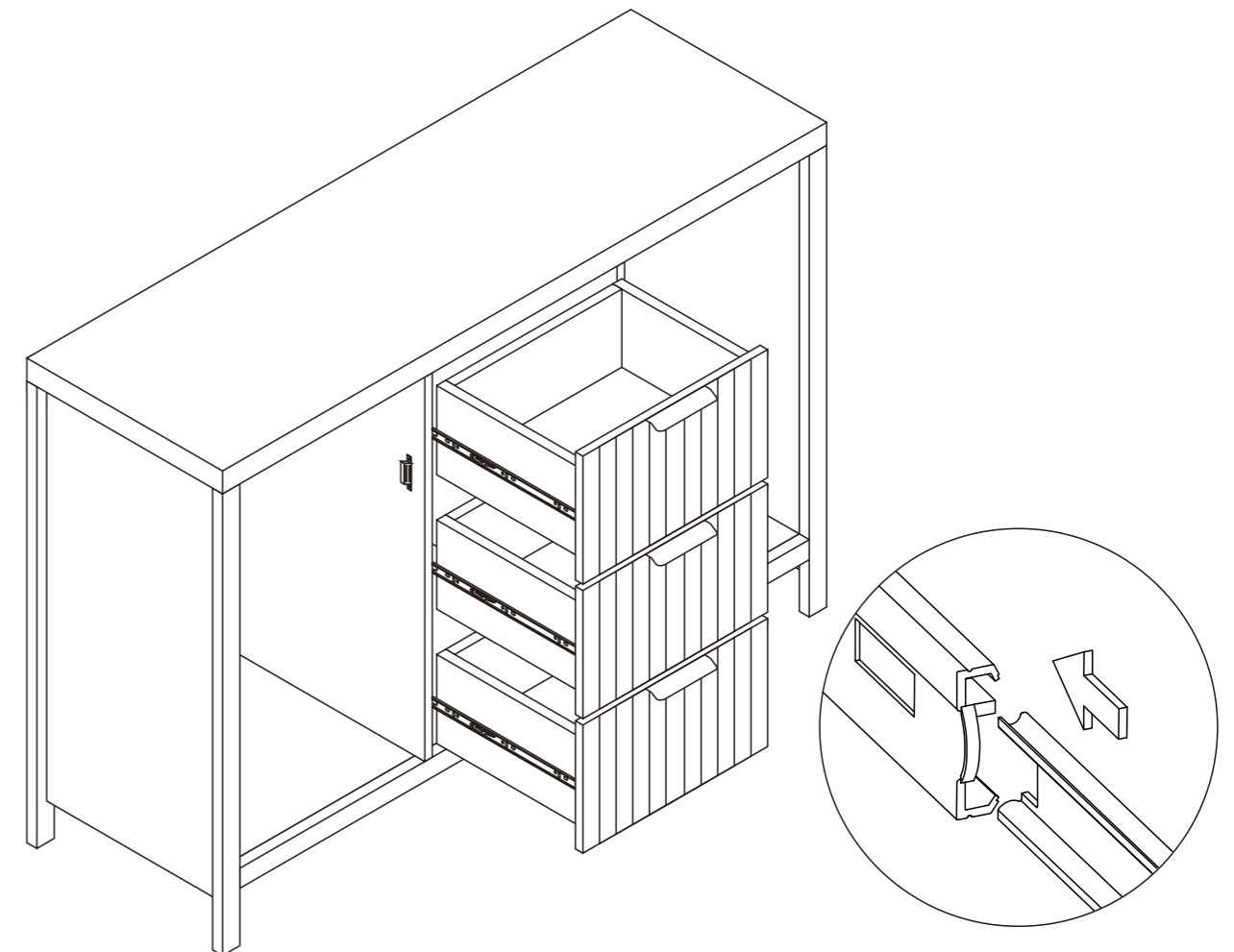


10

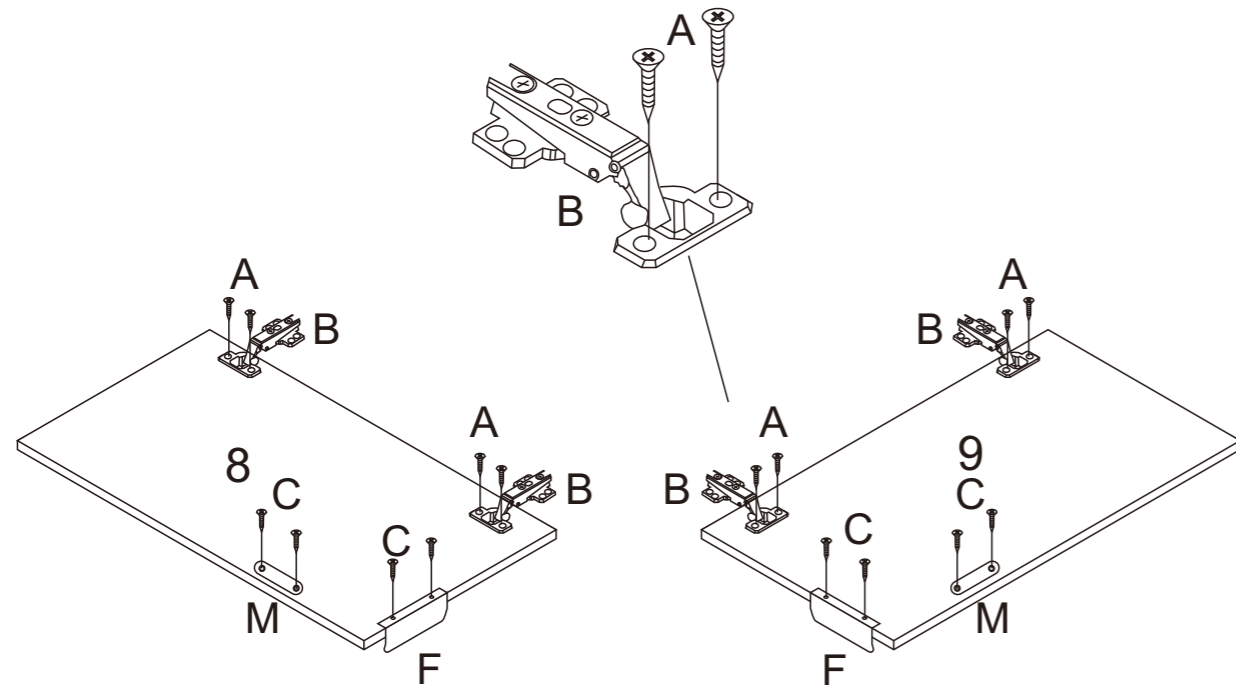
x3

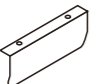



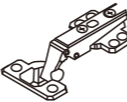


12

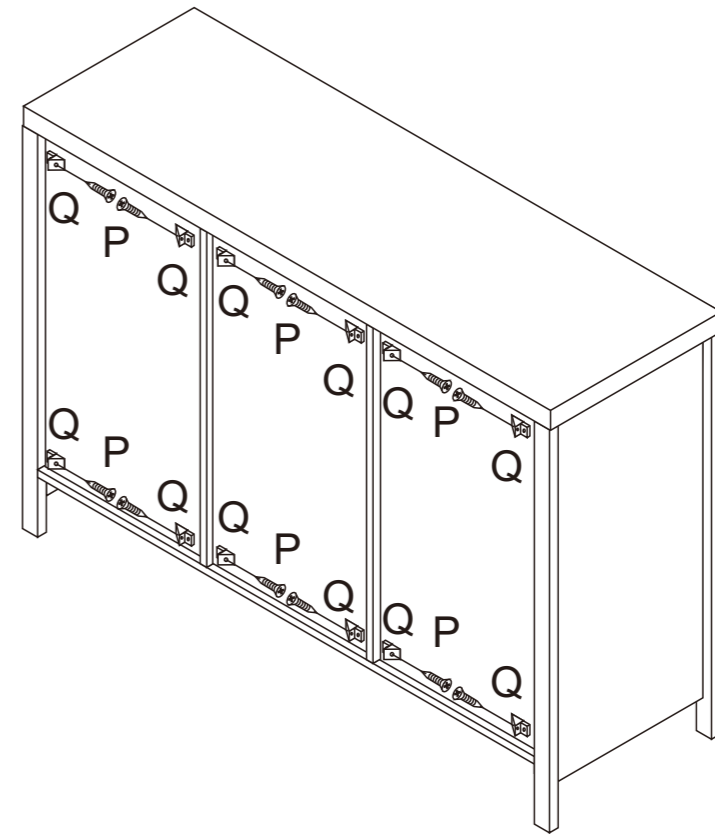




13



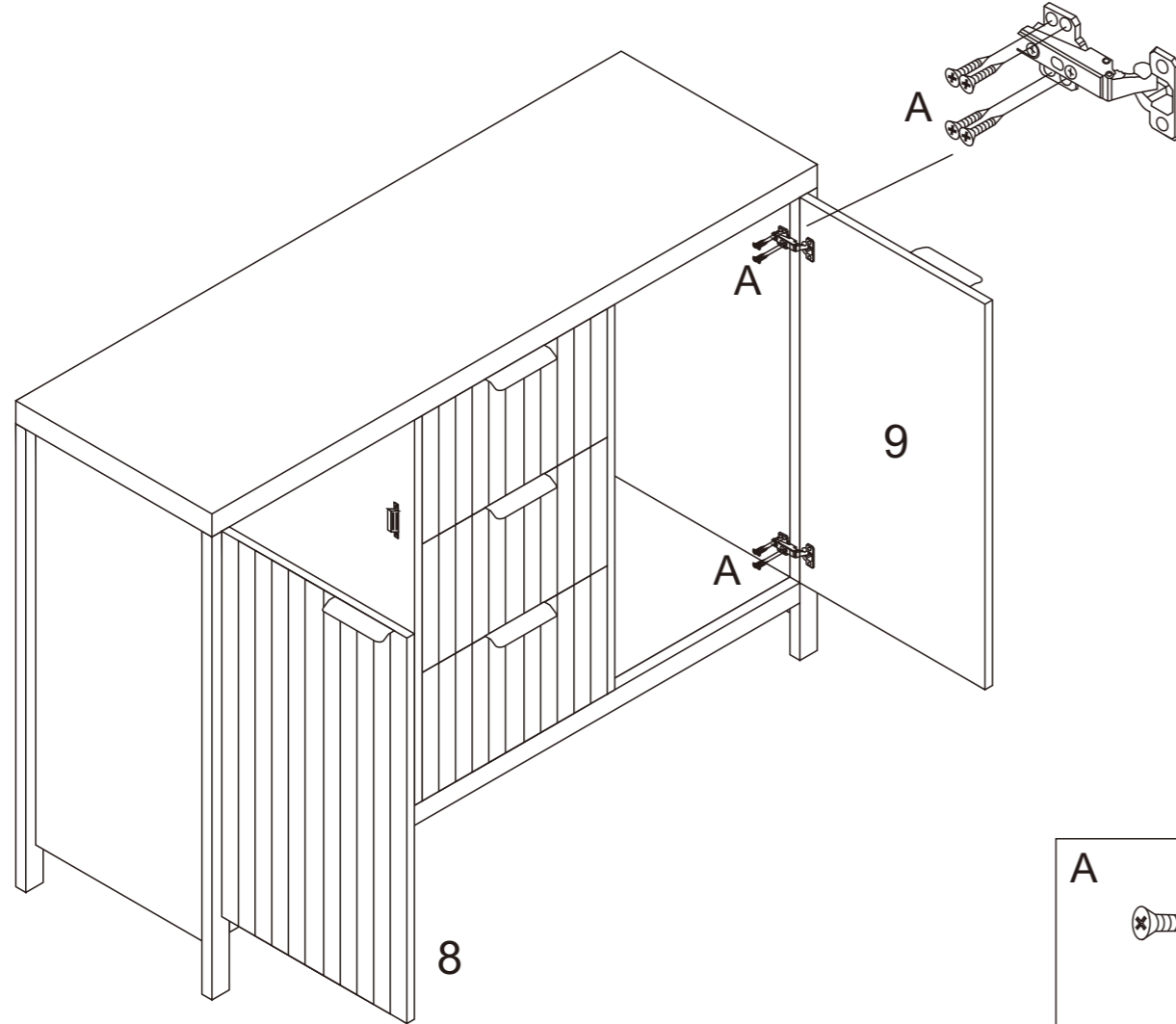
F	C	M	A	B
				
x2	x8	x2	x8	x4


15



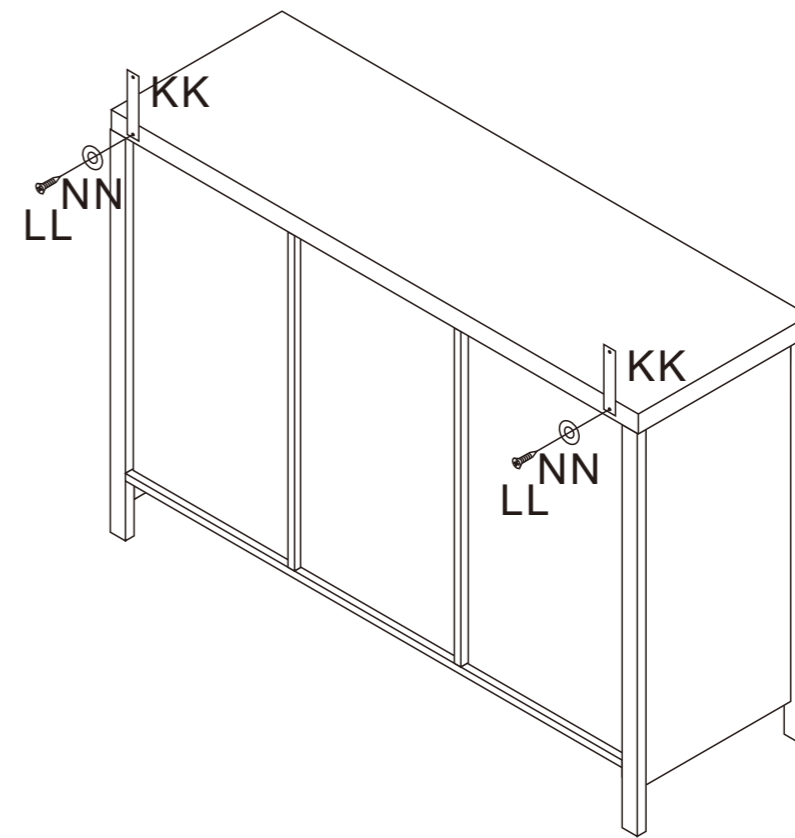
P	Q
	
x12	x12




14



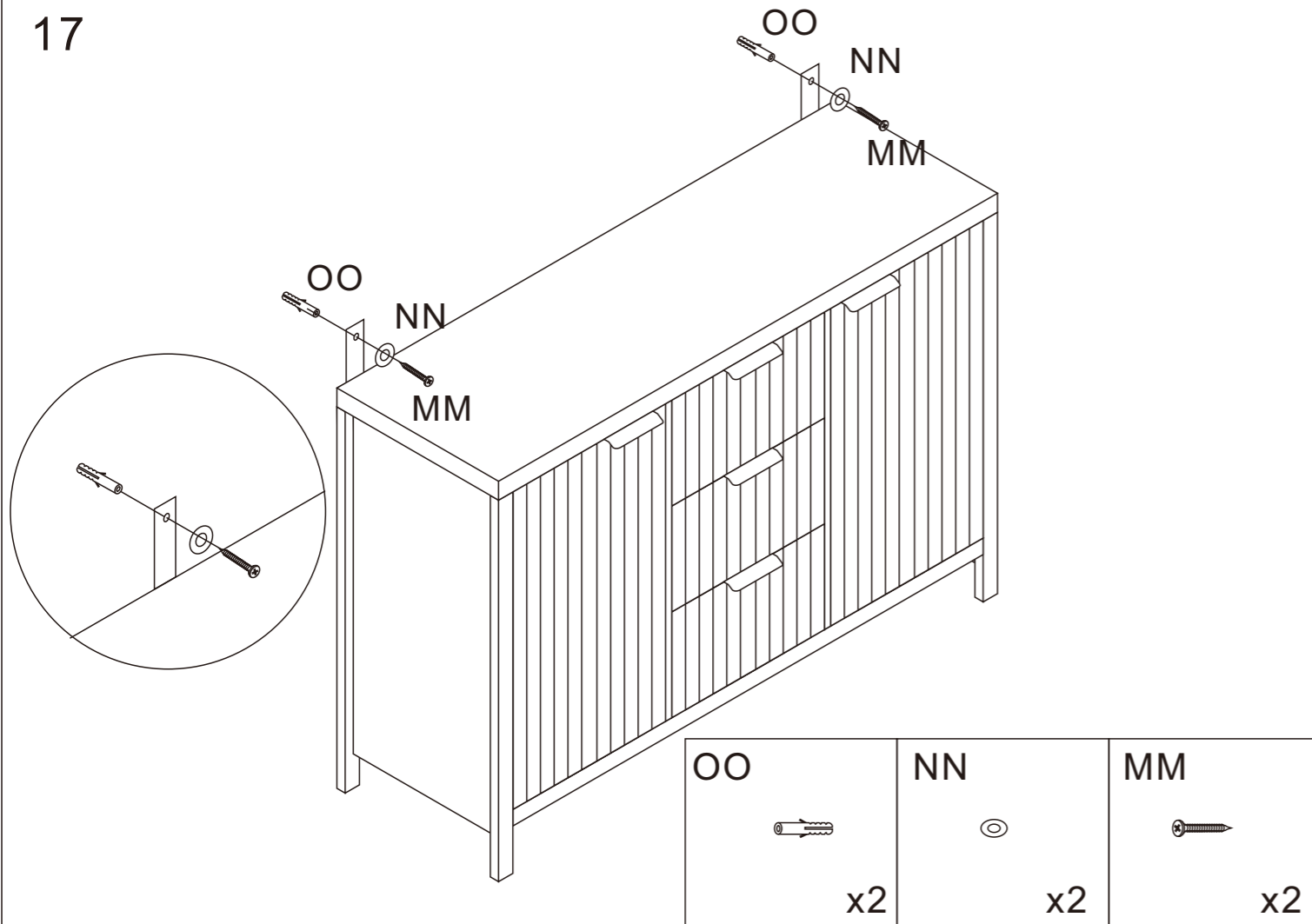
A

x16

16



KK	LL	NN
		
x2	x2	x2

17



18

