


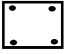










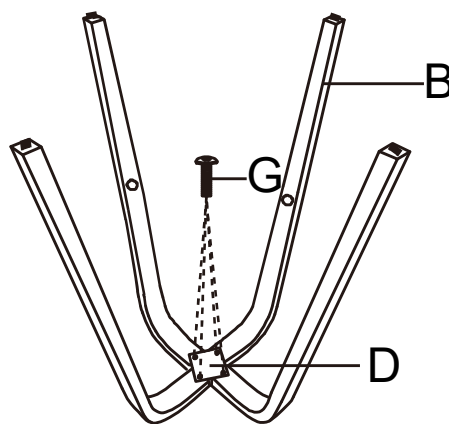
Grotto Bar/Counter Stool Frame


Part # B21/23/27-GRT-X XX (Square footrest)

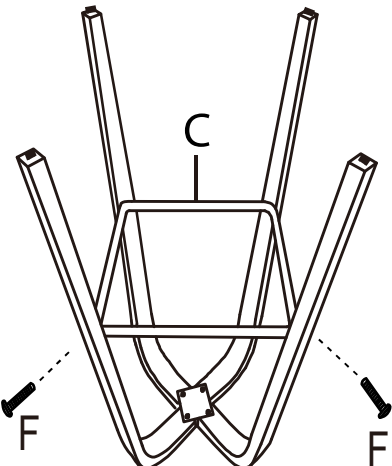
22-0317


 (Seat may vary) A	PARTS									
	 B x4	 C	 D	 E	 M6*25MM 4PCS+1EXT F	 M6*20MM 10PCS+1EXT G	 M6*16MM 2PCS+1EXT H	 x2 I	 x4 J	 K

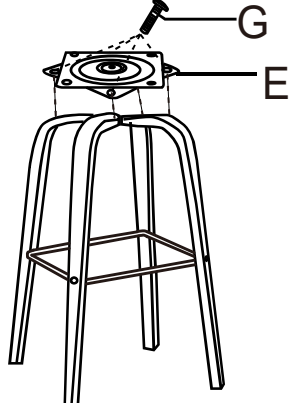
1  50% tighten




2  50% tighten



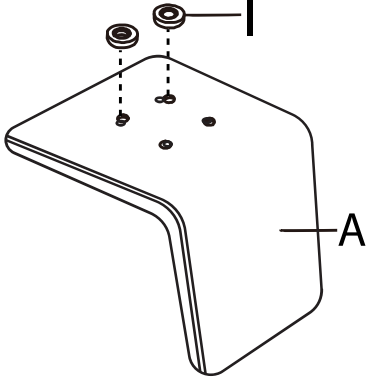
3a  100% tighten




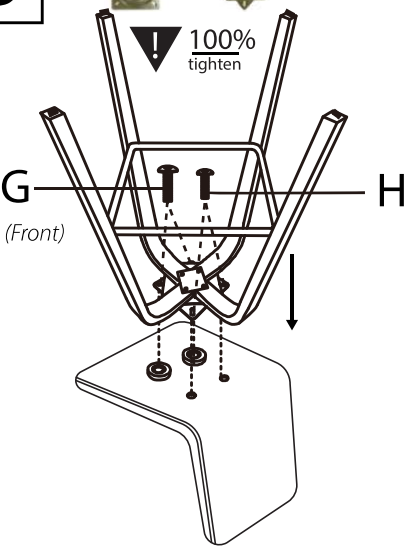
3b  100% tighten **Step 1 & 2**

4

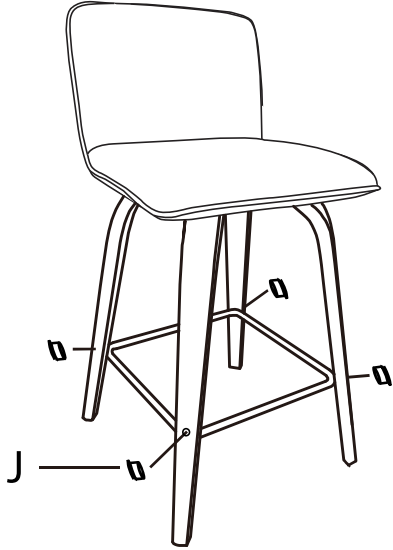
← FRONT



5  100% tighten



6 (Seat May Vary)



⚠ WARNING: SEATING: CHAIR, COUNTER/BAR, OFFICE

- Read all instructions carefully and completely before assembly and use. Retain for future reference.
- Keep plastic bags and small parts away from children.
- For residential (non-commercial) use only.
- DO NOT stand on product. Use only for intended table purpose.
- Max weight limit 250 lbs.
- Periodically check for loose hardware; retighten as necessary.
- DO NOT use product if any component becomes damaged.
- DO NOT use power tools to assemble OR overtighten hardware.