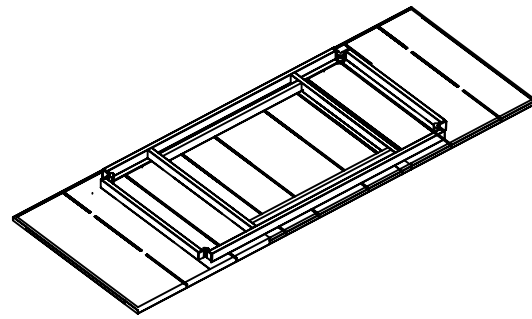




A: 4PCS



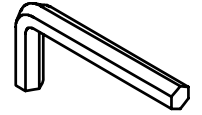
B: 1PCS



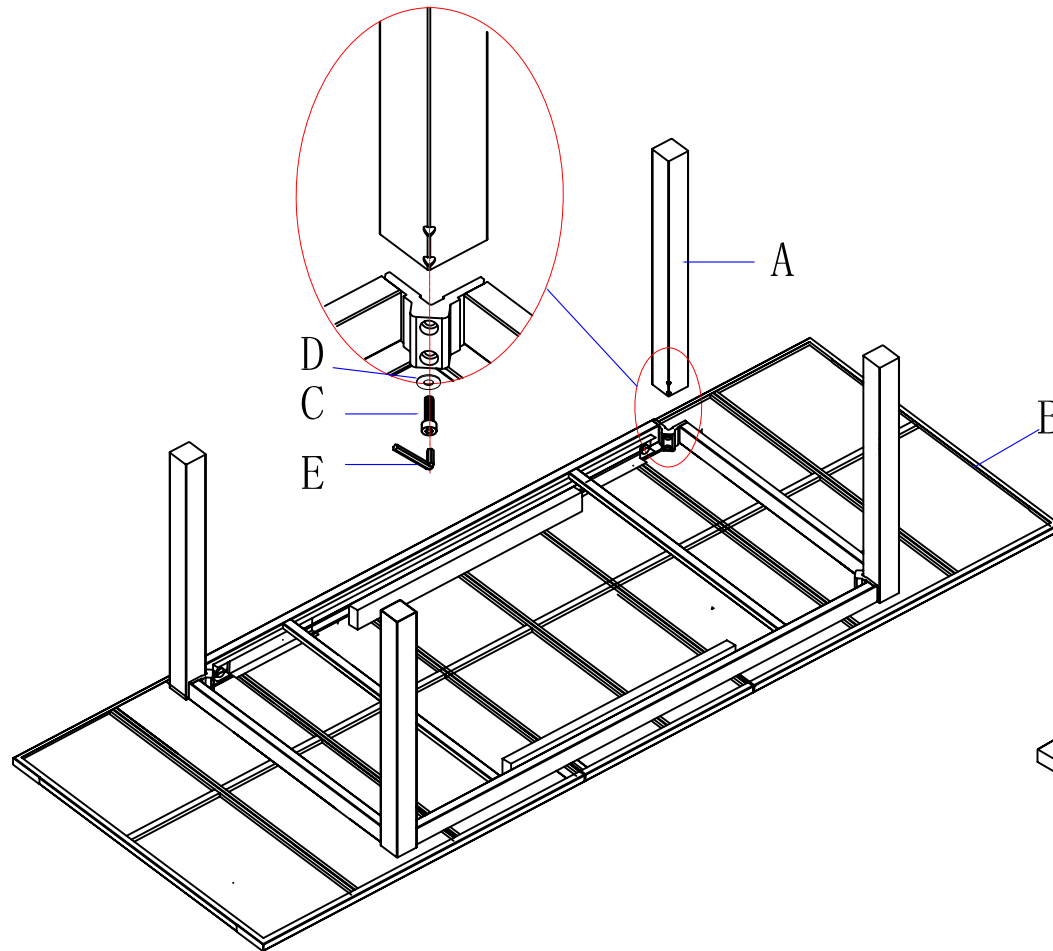
C: M8\*30\*8PCS



D:  $\Phi 18 * \Phi 8.5 * 1T * 8PCS$

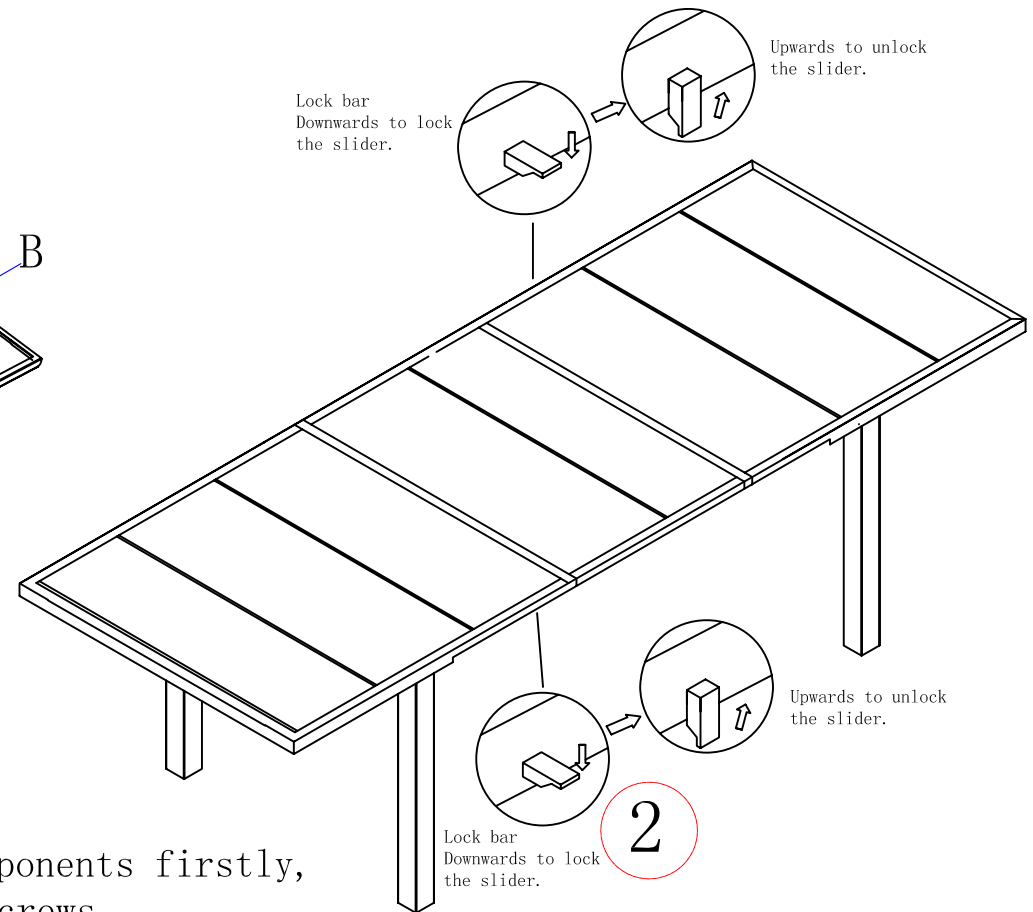


E: 6MM\*1PCS



1

Please assemble all components firstly,  
then tightly fix all screws.



2

Lock bar  
Downwards to lock  
the slider.

Upwards to unlock  
the slider.