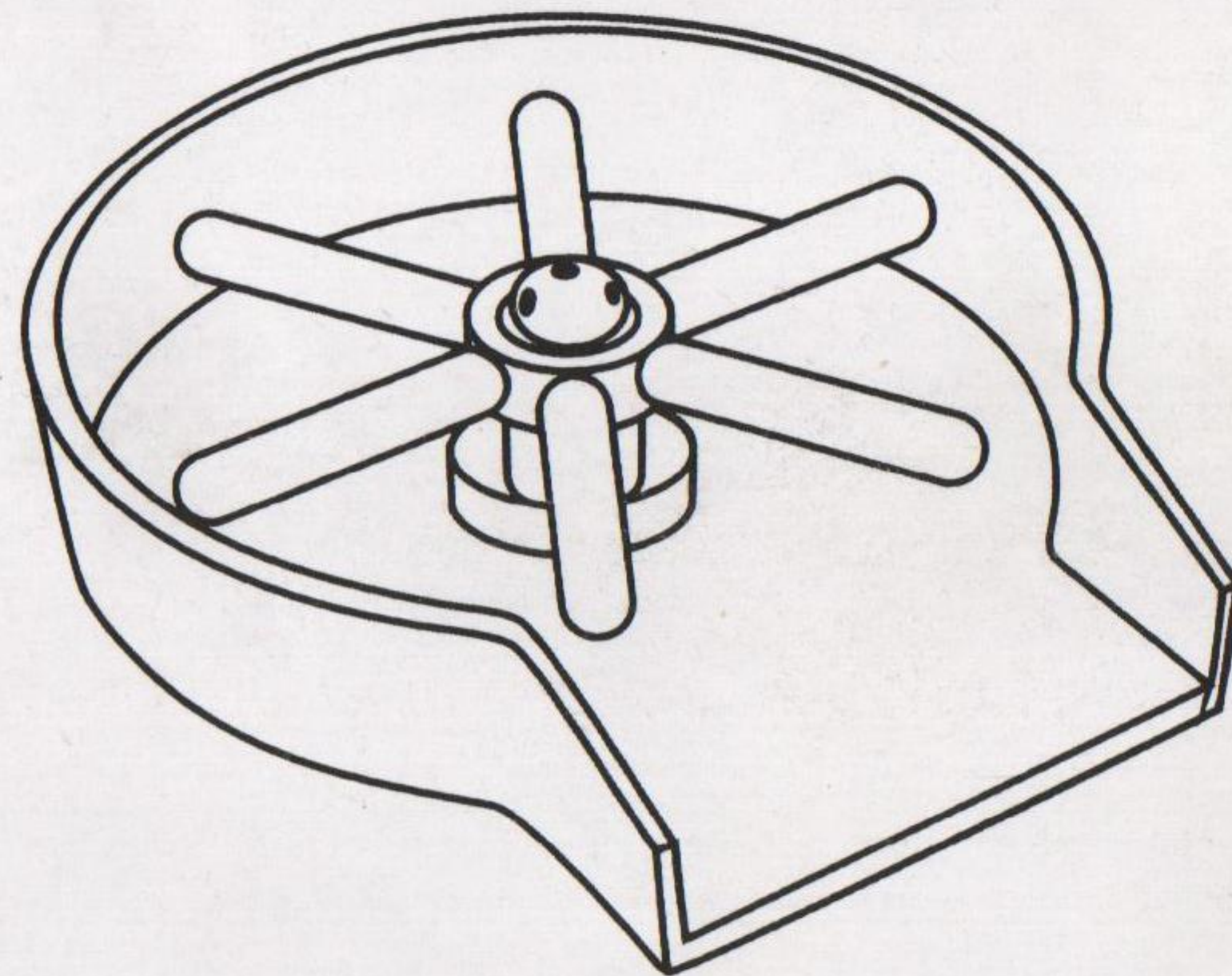
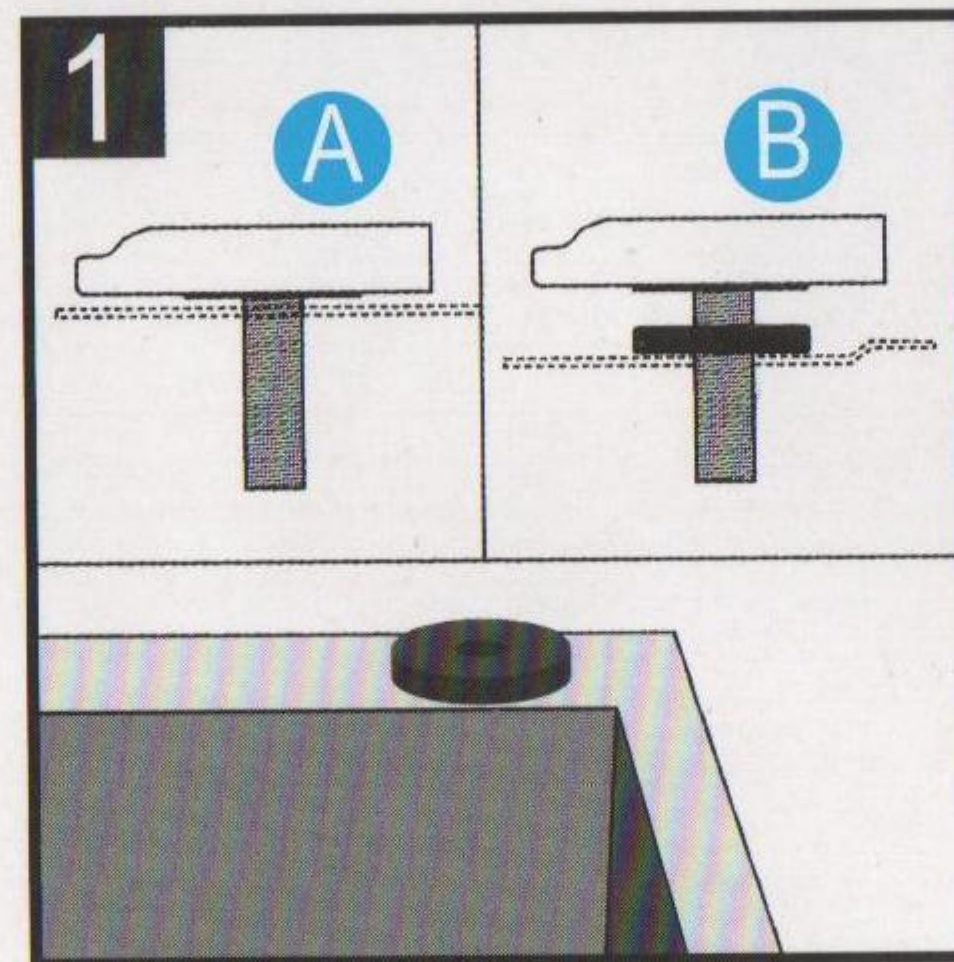


Glass Rinser



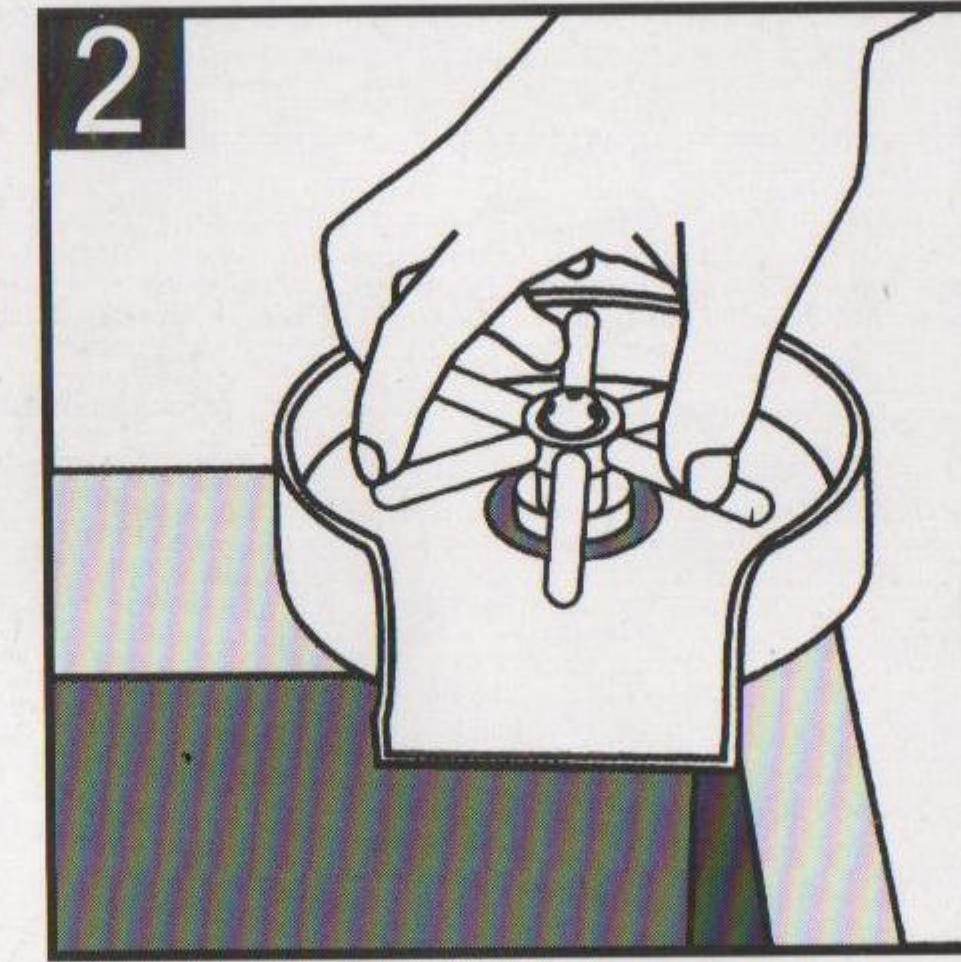
Installation Instructions

Read all instructions sets before instation.
Turn off hot and cold water supplies at angle stops before installing glass rinser.



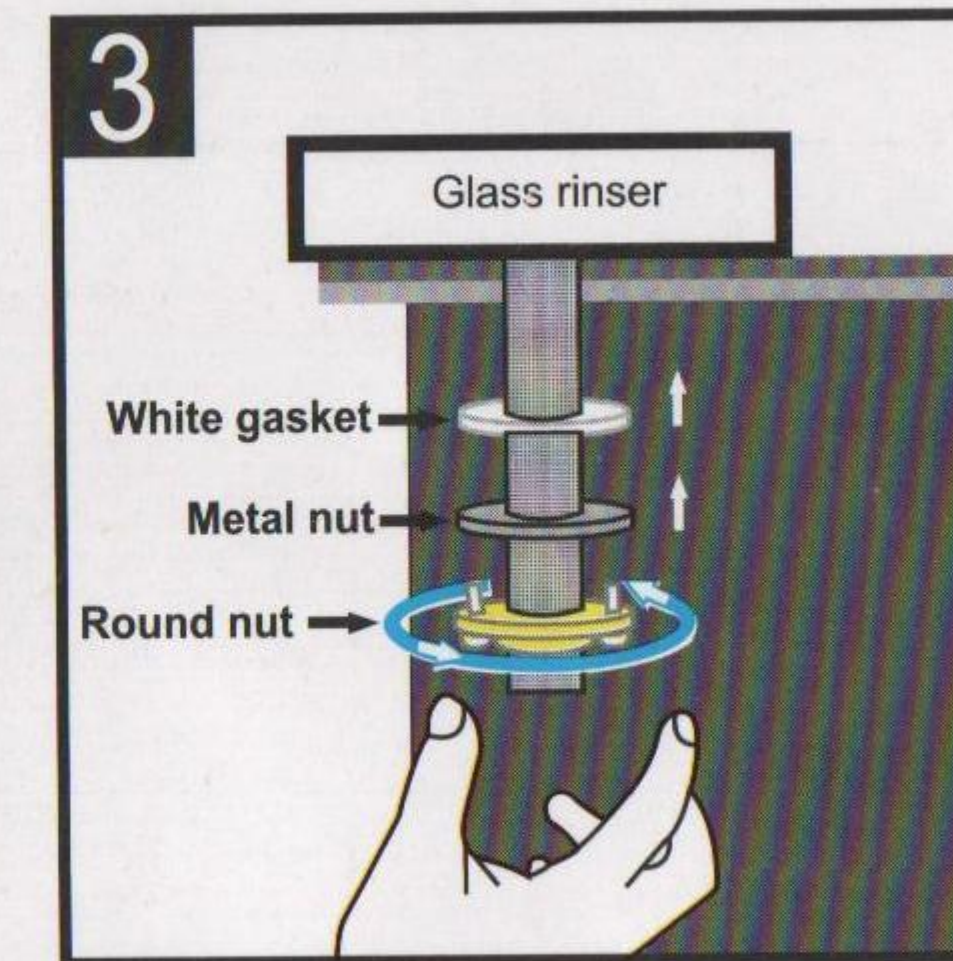
A. For sinks with level ledger/Granite, Don't need the plastic spacer.

B. For sinks with the raised ledges, Put the Plastic spacer on the sink hole with foam washer side downward.



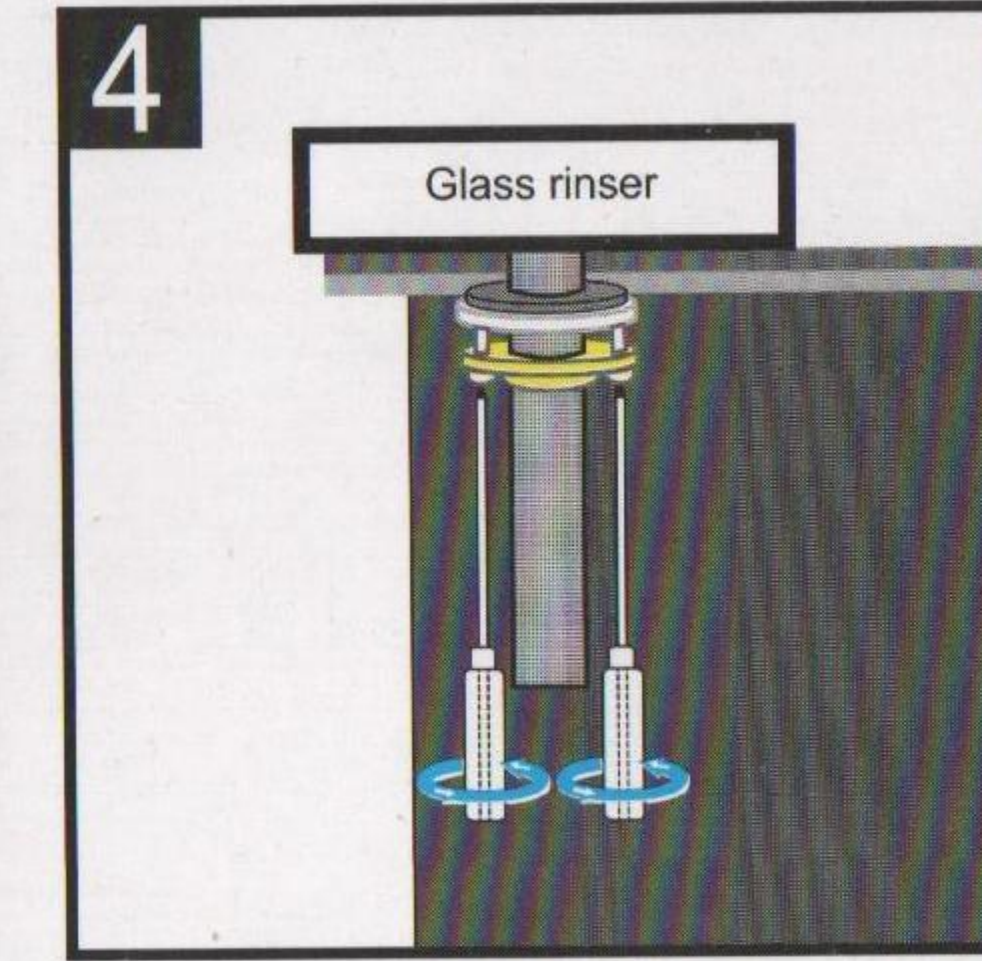
A. Put the base on the sink hole.

B. Put the base on the plastic spacer.

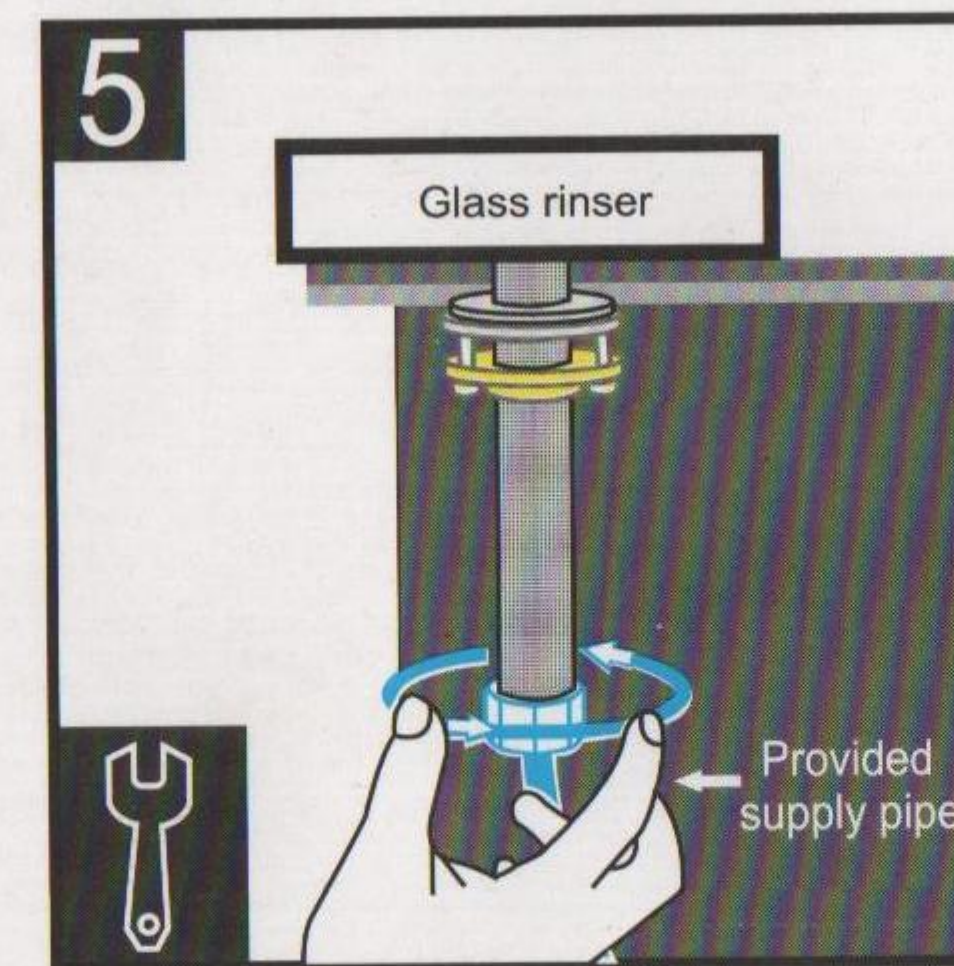


Put the white gasket and metal nut onto the shank.

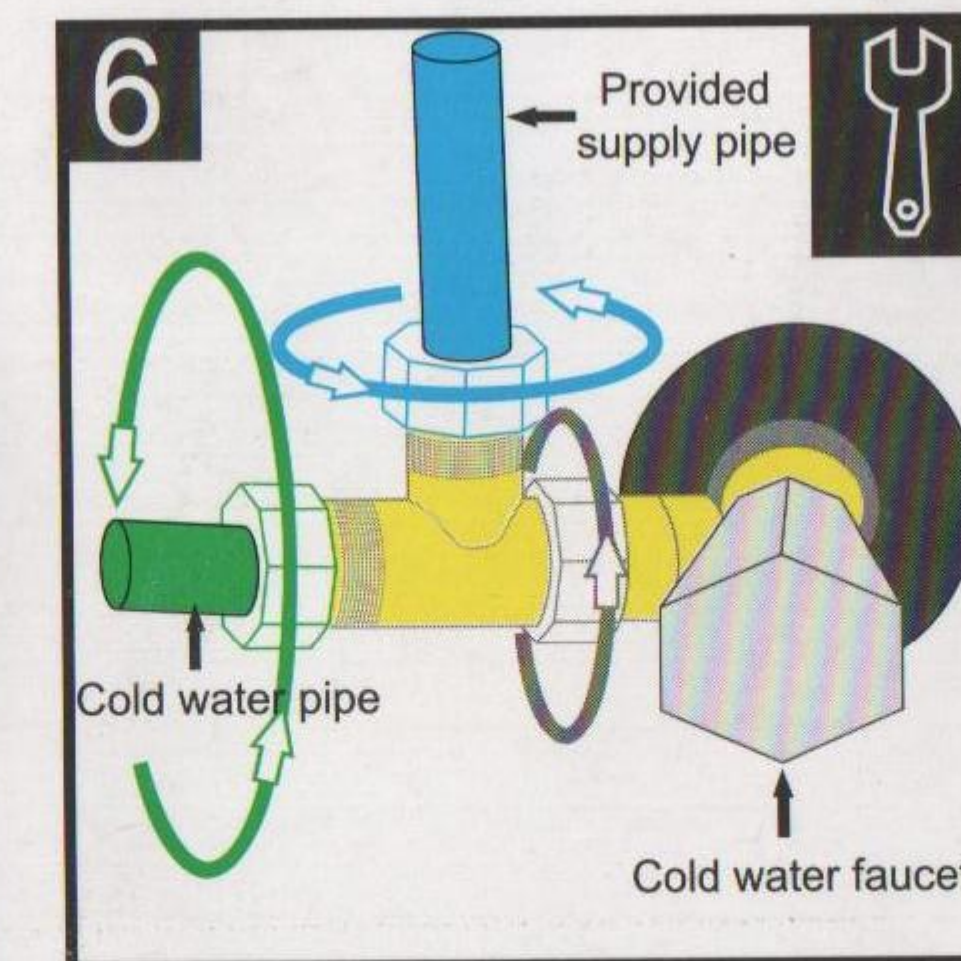
Screw the round nut onto the shank, and tighten.



Screw the fastening nut with screwdriver.



Screw the 1/2" end of provided supply pipe to mounting shank with wrench.



Untie the existing cold water faucet supply pipe from angle stop.
Screw provided tee onto angle stop with wrench.
Screw both the faucet supply pipe and the 3/8" end of provided supply line to tee. When pipes are installed, check alignment and retighten mounting nut.

