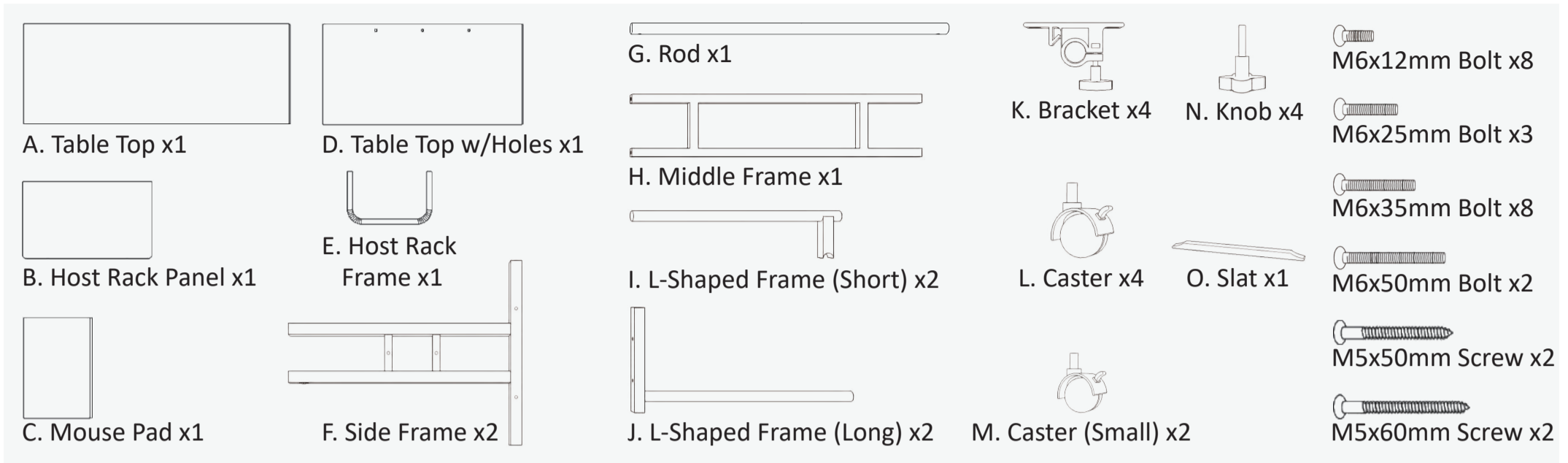


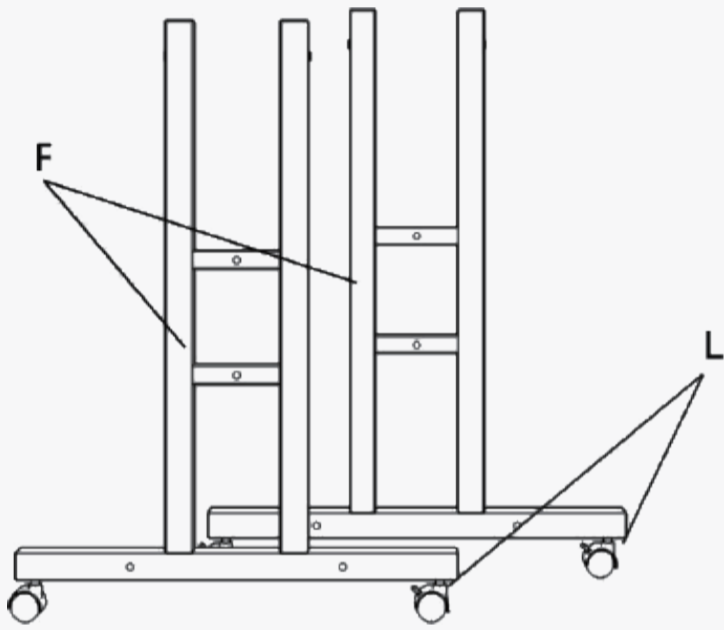
INSTRUCTION

HARDWARE :



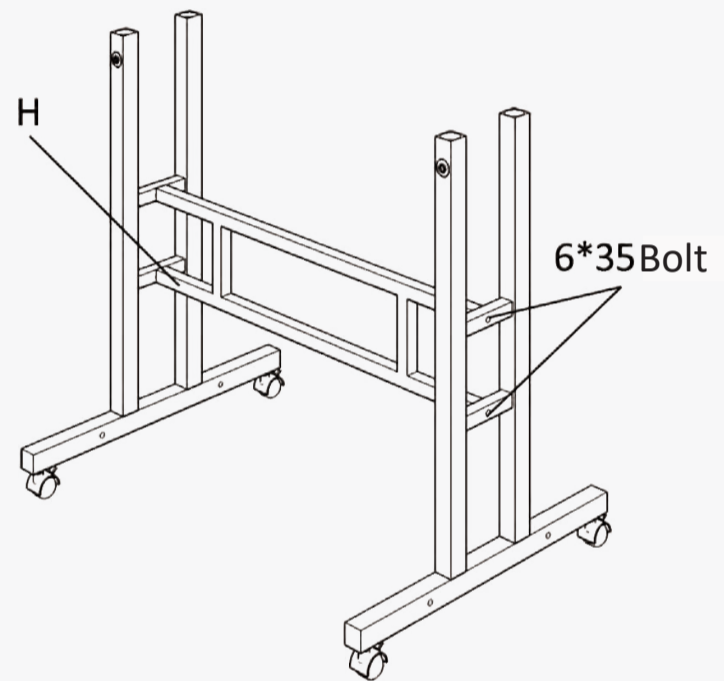
ASSEMBLY INSTRUCTIONS :

1



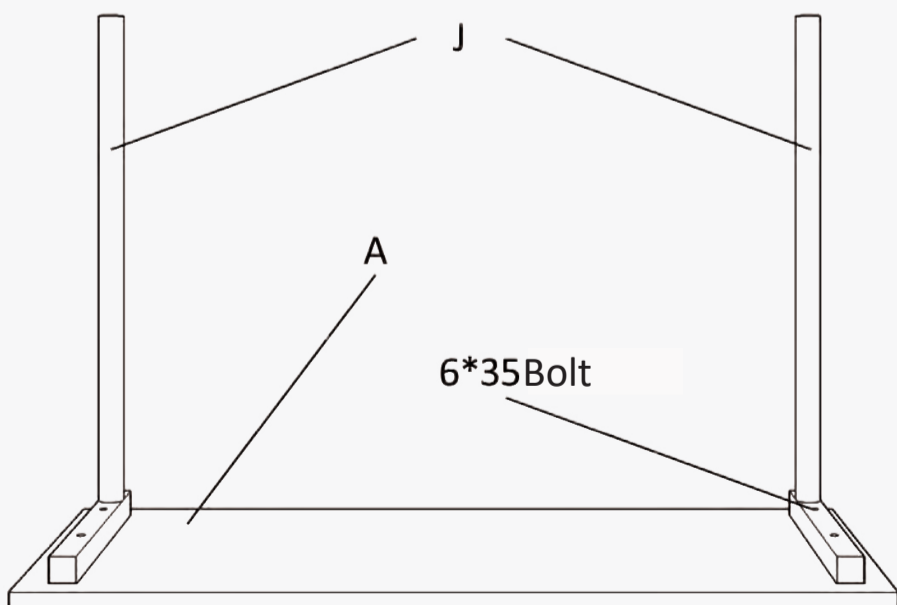
Secure the Side Frames (F) and Casters (Large) (L).

2



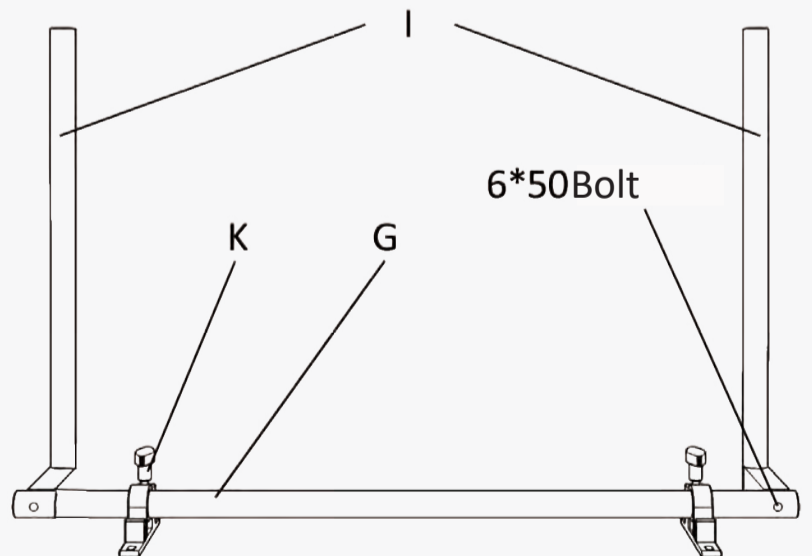
Assemble the Middle Frame (H) and Side Frames (F) with M6*35 Bolt.

3



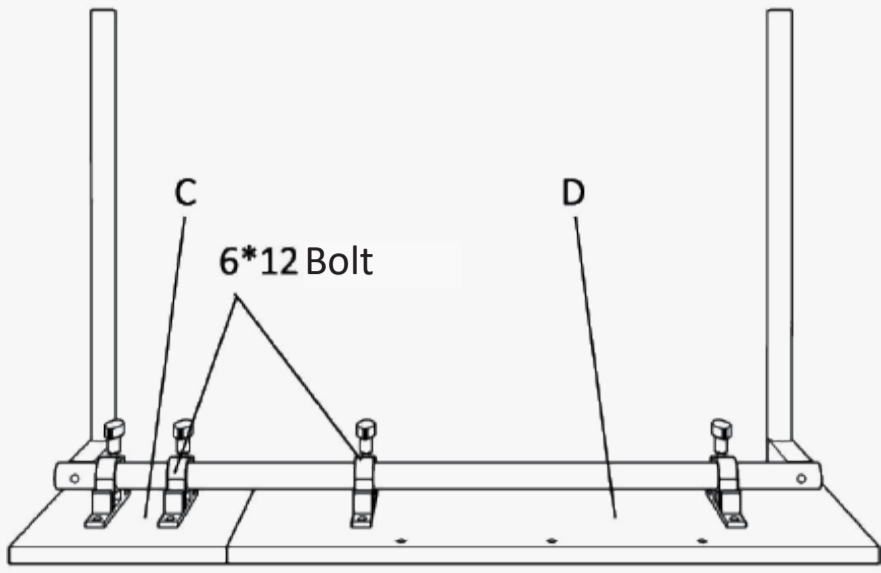
Secure the Table Top (A) and the L-Shaped Frames (Long) (J) with M6*35 Bolt.

4



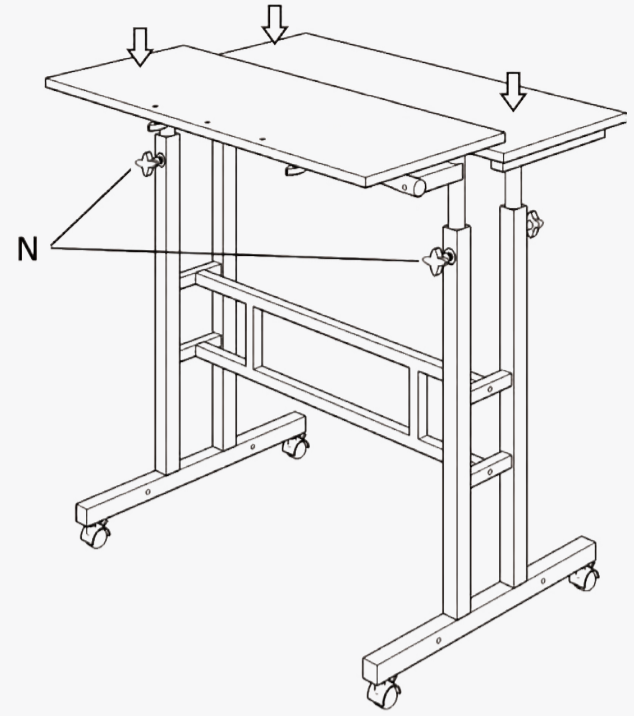
Insert the Rod (G) to the Brackets (K) as picture shown, and then install the L-Shaped Frames (Short) (I) on the both ends of the Rod (G) with M6*50 Bolt.

5



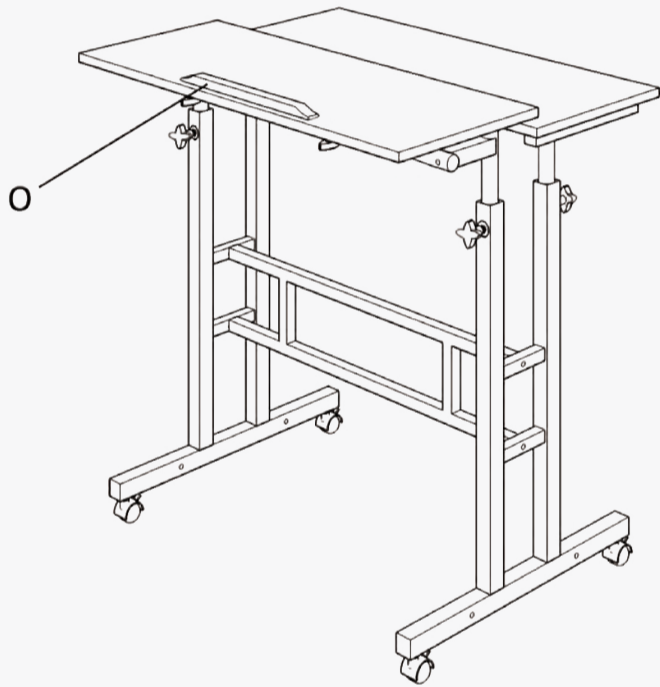
Fix the assembled part (Step 4) on the Table Top w/Holes (D) and the Mouse Pad (C) with M6*12 Bolts.

6



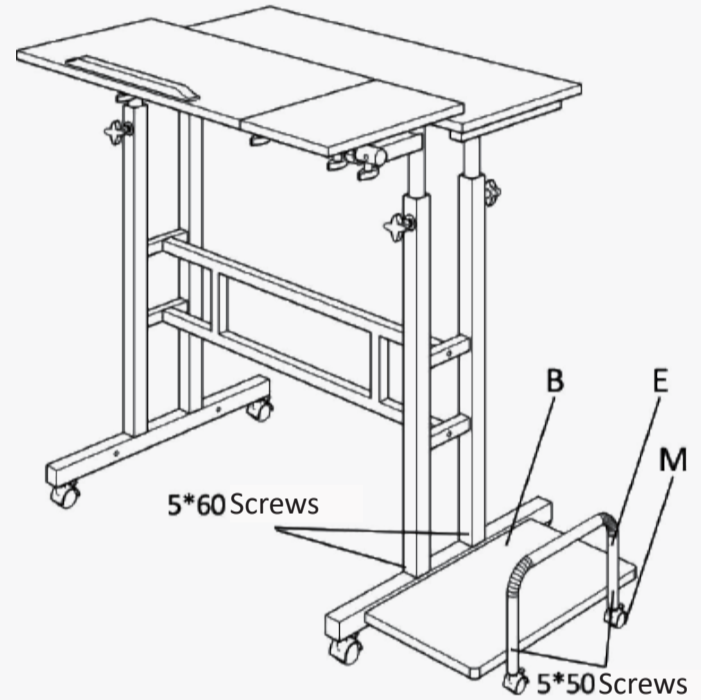
Insert the assembled parts (Step 3 & Step 5) into the Side Frames as picture shown, and then fix them by tightening the Knobs (N).

7



Install the Slat (O) with M6*25 Bolt.

8



Install the Caster (Small) (M) as picture shown. Secure the Host Rack Panel (B) and Host Rack Frame (E) with M5*50 Screws, and then assembled this part to Side Frame (F) with M5*60 Screws.

⚠ ATTENTION

- ① Please always read and follow the assembly, maintenance and operating instruction.
- ② Do not discard any of the packaging until you have checked that you have all the parts and pack of fittings.
- ③ Keep children away during assembly. This item contains small parts which can be swallowed by children.
- ④ Wipe frames with water gently, do not use bleach, acid, or other solvents.
- ⑤ Check all hardwares before assembly. Incorrect parts used may lead to damage.