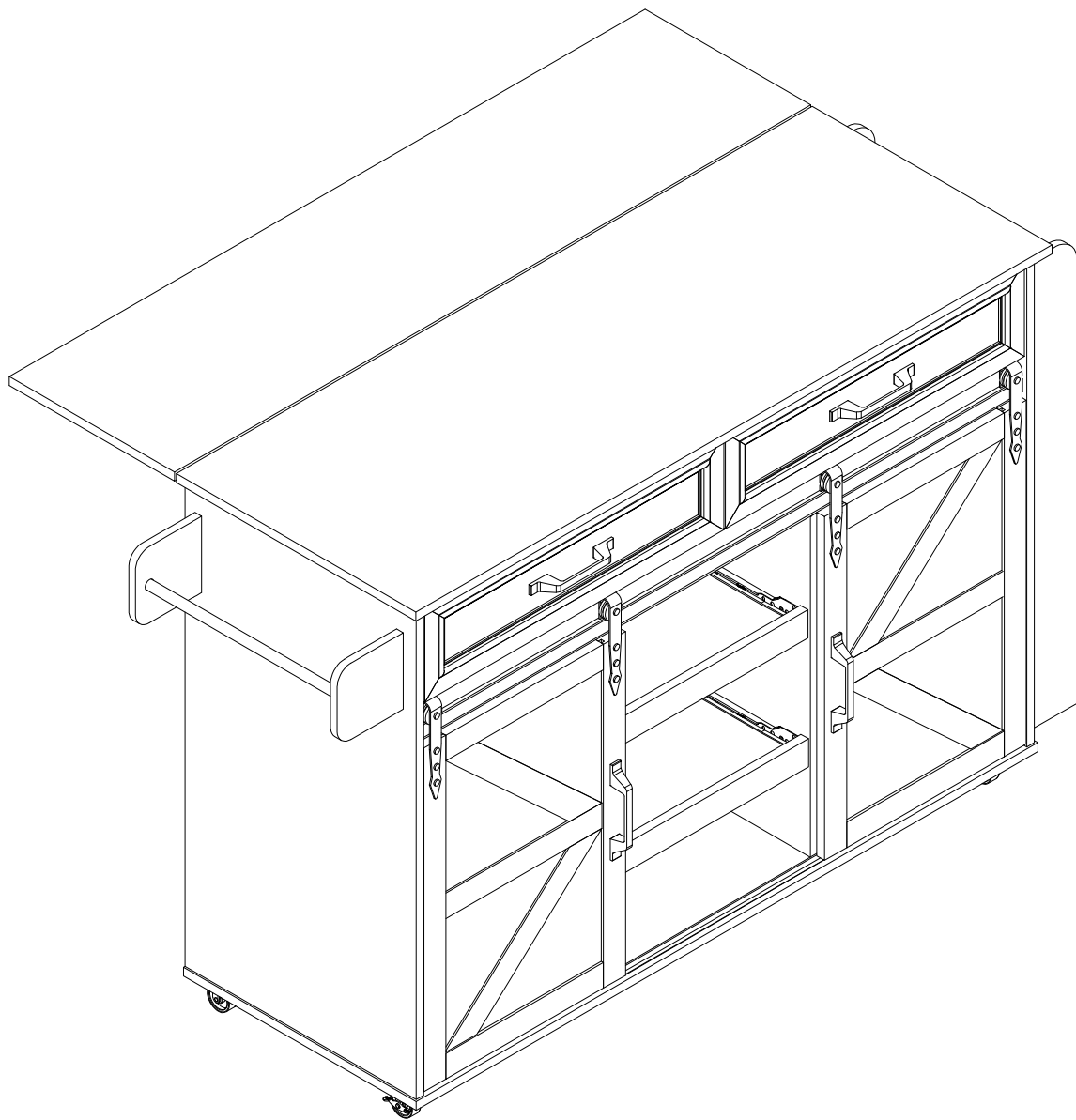




Assembly Instructions

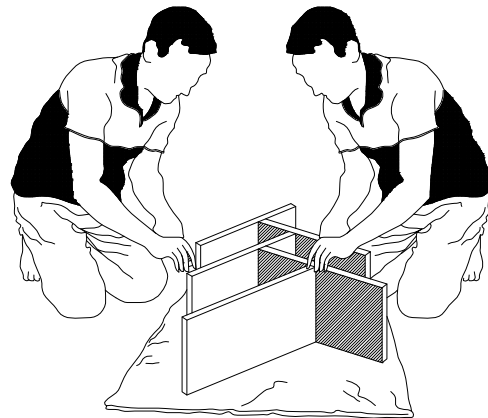


CATALOG:

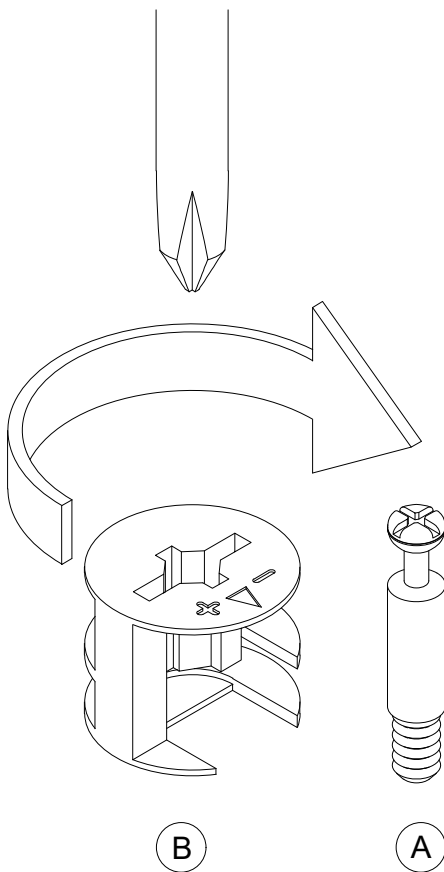
Part List.....4-5.
Accessories List.....5-6.
Assemble.....7-28.

Foreword:

Thank you for choosing our product! We hope you have a good shopping experience!
We aim to provide a 100% satisfaction product and customer service.



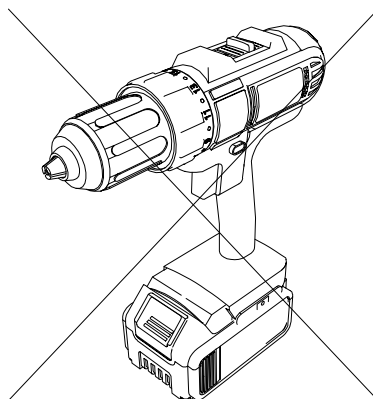
Requires 2 people to assemble
the product more easily



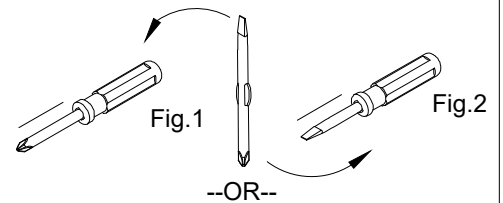
B

A

Only slight turn of cams required.
Do **NOT** overturn.

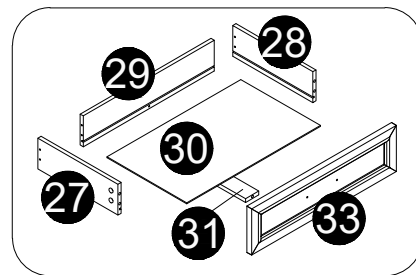
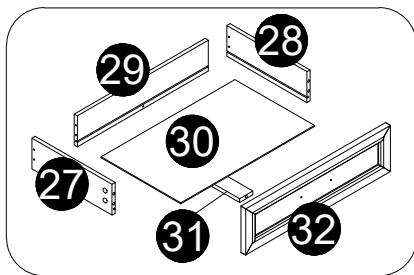
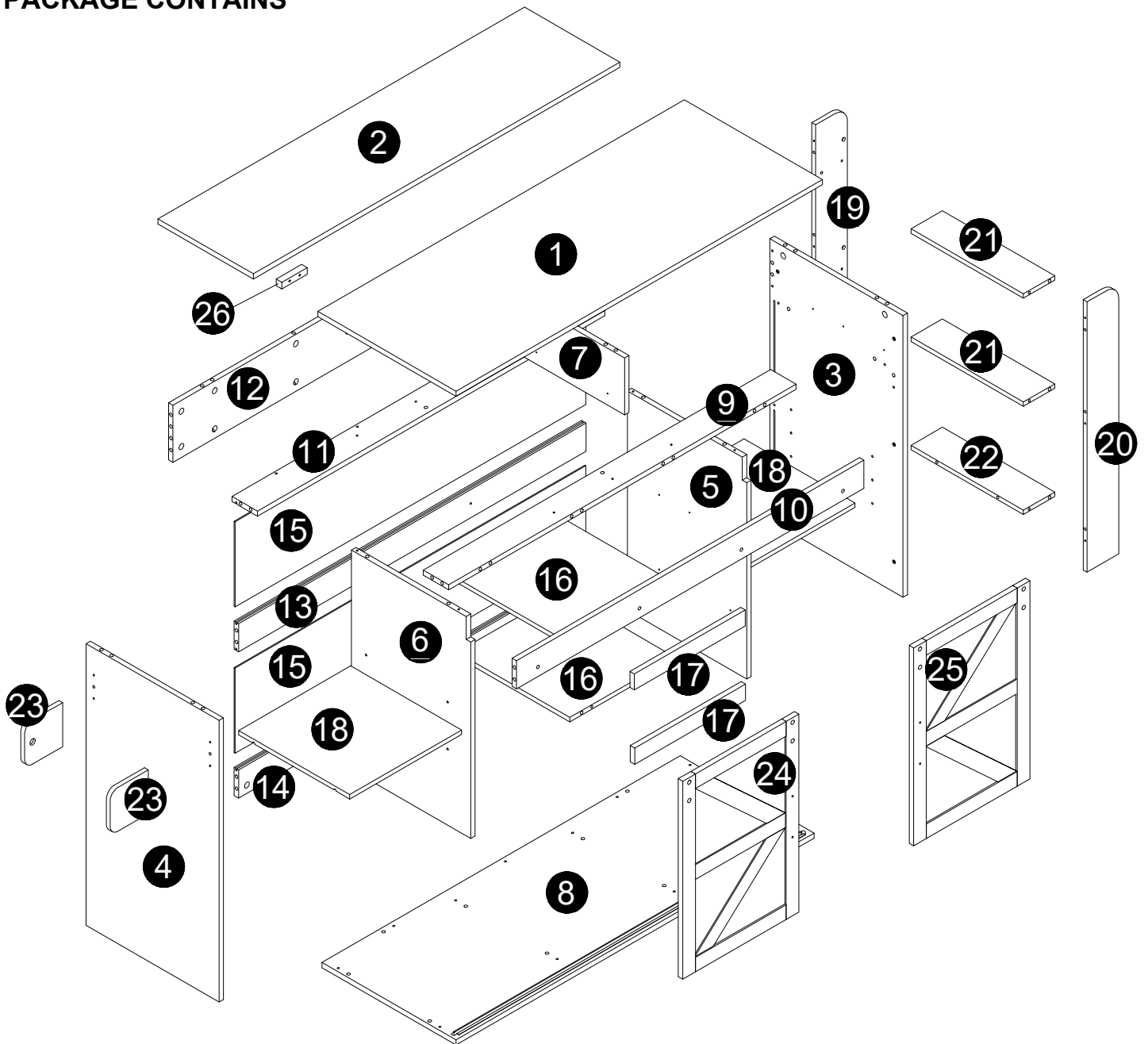


*Power Tool **NOT**
Recommended for **A-B**
hardware assembly



TOOL REQUIRED
Phillips Screwdriver

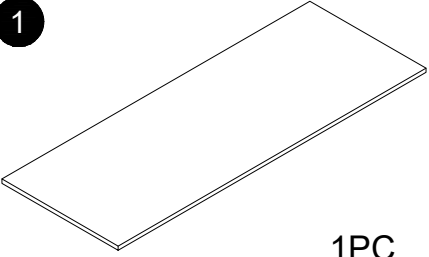
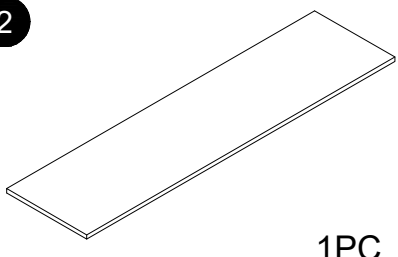
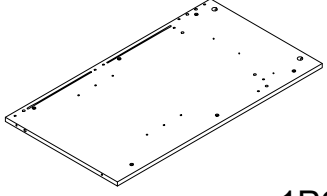
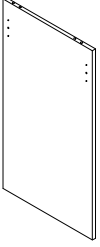
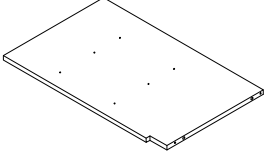
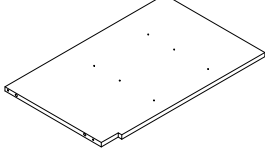
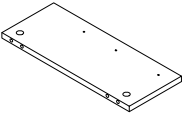
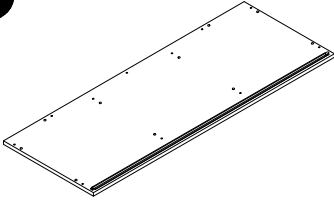
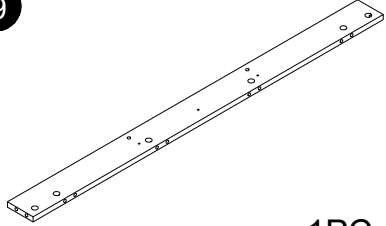
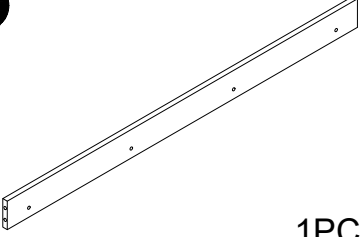
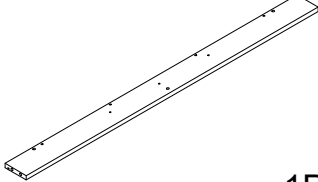
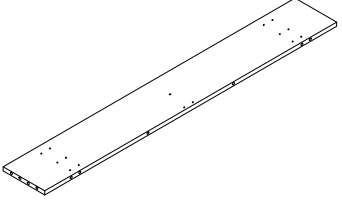
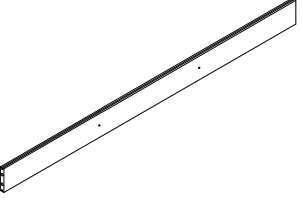
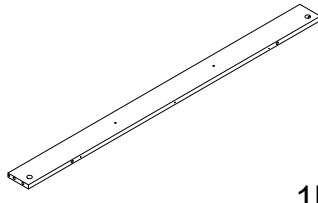
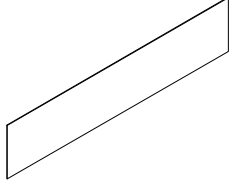
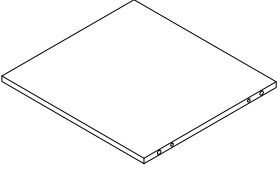
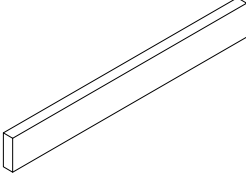
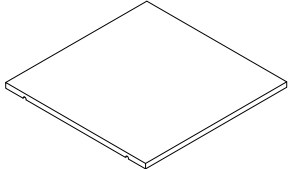
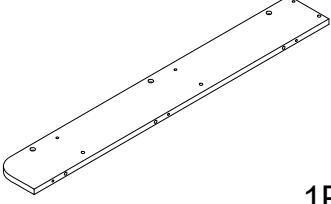
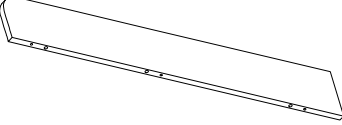
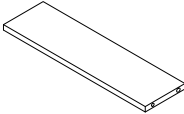
PACKAGE CONTAINS



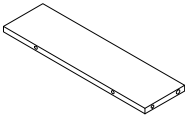
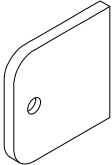
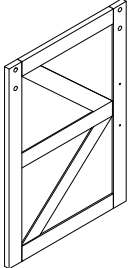
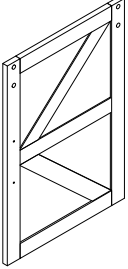
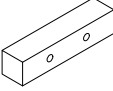
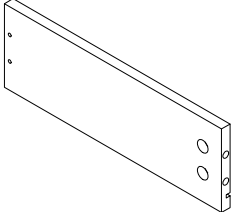
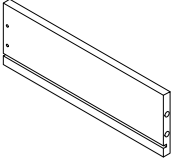
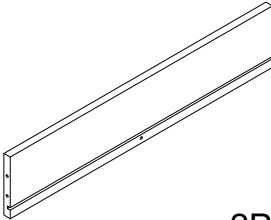
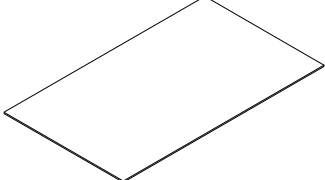
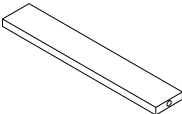
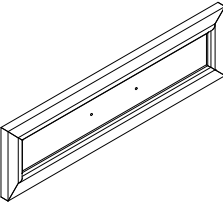
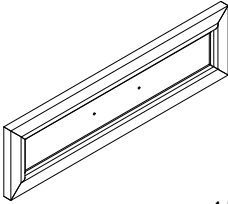
TIPS

1. When installing the product, use a soft surface (such as carpet or cardboard) to avoid scratching or damaging the surface of the product.
2. Please try to use a manual screwdriver instead of electric screw driver. A manual screwdriver can be used to better control the tightness of the screws.
3. Do not use any glue.
4. The product is unstable before it is assembled. Please pay attention to the product installation sequence, and align all screws and screw holes before tightening.
5. The structure of this product can not meet the requirements of children climbing.

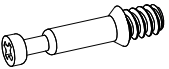



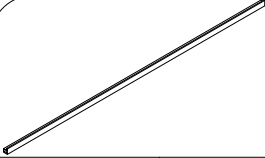



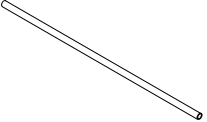
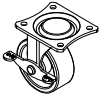

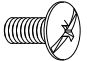
PARTS LIST (Unit: mm)

<p>1</p>  <p>1PC</p>	<p>2</p>  <p>1PC</p>	<p>3</p>  <p>1PC</p>
<p>4</p>  <p>1PC</p>	<p>5</p>  <p>1PC</p>	<p>6</p>  <p>1PC</p>
<p>7</p>  <p>1PC</p>	<p>8</p>  <p>1PC</p>	<p>9</p>  <p>1PC</p>
<p>10</p>  <p>1PC</p>	<p>11</p>  <p>1PC</p>	<p>12</p>  <p>1PC</p>
<p>13</p>  <p>1PC</p>	<p>14</p>  <p>1PC</p>	<p>15</p>  <p>2PCS</p>
<p>16</p>  <p>2PCS</p>	<p>17</p>  <p>2PCS</p>	<p>18</p>  <p>2PCS</p>
<p>19</p>  <p>1PC</p>	<p>20</p>  <p>1PC</p>	<p>21</p>  <p>2PCS</p>

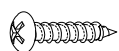
PARTS LIST (Unit: mm)

<p>22</p>  <p>1PC</p>	<p>23</p>  <p>2PCS</p>	<p>24</p>  <p>1PC</p>
<p>25</p>  <p>1PC</p>	<p>26</p>  <p>1PC</p>	<p>27</p>  <p>2PCS</p>
<p>28</p>  <p>2PCS</p>	<p>29</p>  <p>2PCS</p>	<p>30</p>  <p>2PCS</p>
<p>31</p>  <p>2PCS</p>	<p>32</p>  <p>1PC</p>	<p>33</p>  <p>1PC</p>

ACCESSORIES LIST (Unit: mm)

 <p>A</p>	 <p>Ø15x9.5</p>	 <p>Ø8x30</p>	 <p>Ø1/4x25</p>
 <p>E</p>	 <p>Ø3.5x12</p>	 <p>Ø5x38</p>	 <p>Ø6x30</p>
 <p>I</p>	 <p>J</p>	 <p>K</p>	 <p>M4x9</p>

ACCESSORIES LIST (Unit: mm)



Ø3.5x12

M x 34+3



N x 16+1



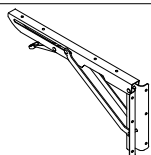
Ø3x15

O x 16+1

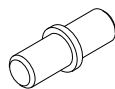


Ø4x25

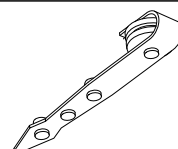
P x 2



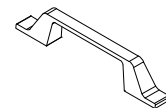
Q x 2



R x 8



S x 4



T x 4

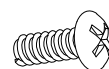


U x 4



Ø1/4x12

V x 8



M4x18

X x 4



Y x 4

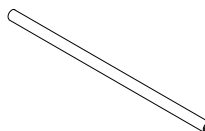


Z x 1



Ø4x38

W x 10+1



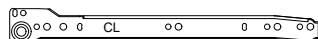
AA x 1



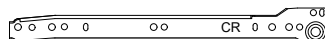
M3
BB x 1



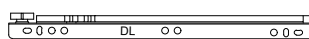
M4
CC x 1



CL x 4



CR x 4



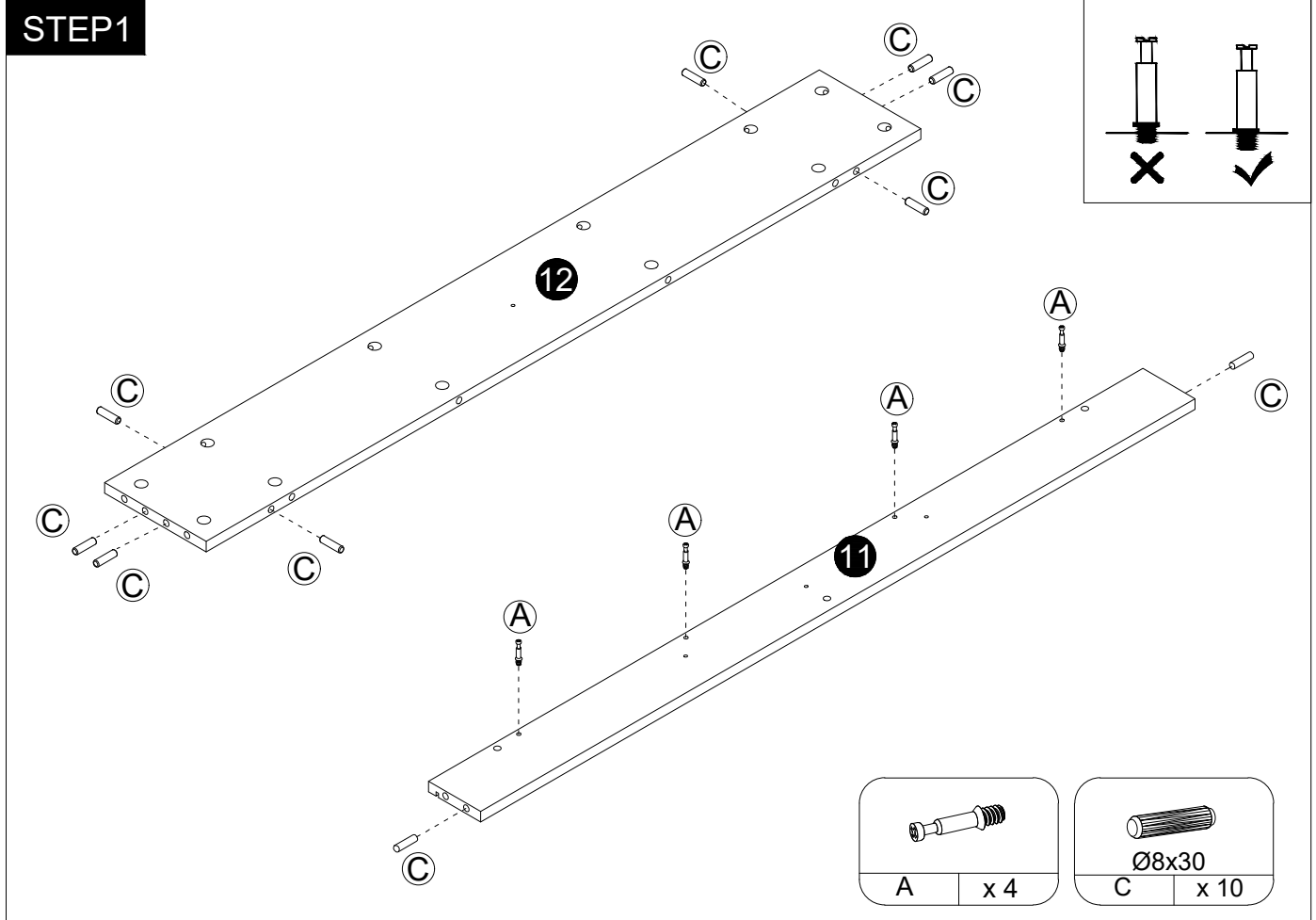
DL x 4



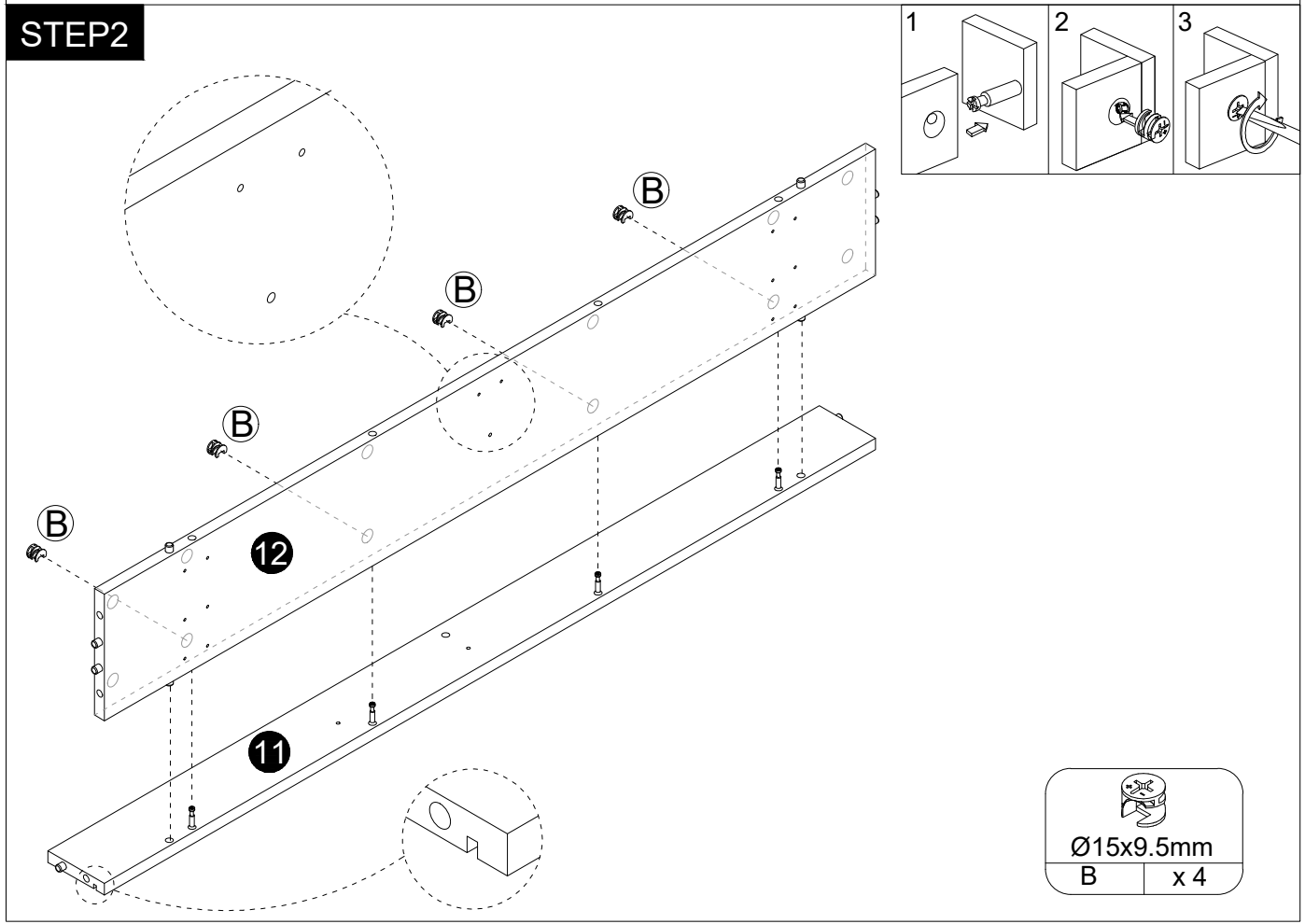
DR x 4

INSTALLATION INSTRUCTION

STEP 1

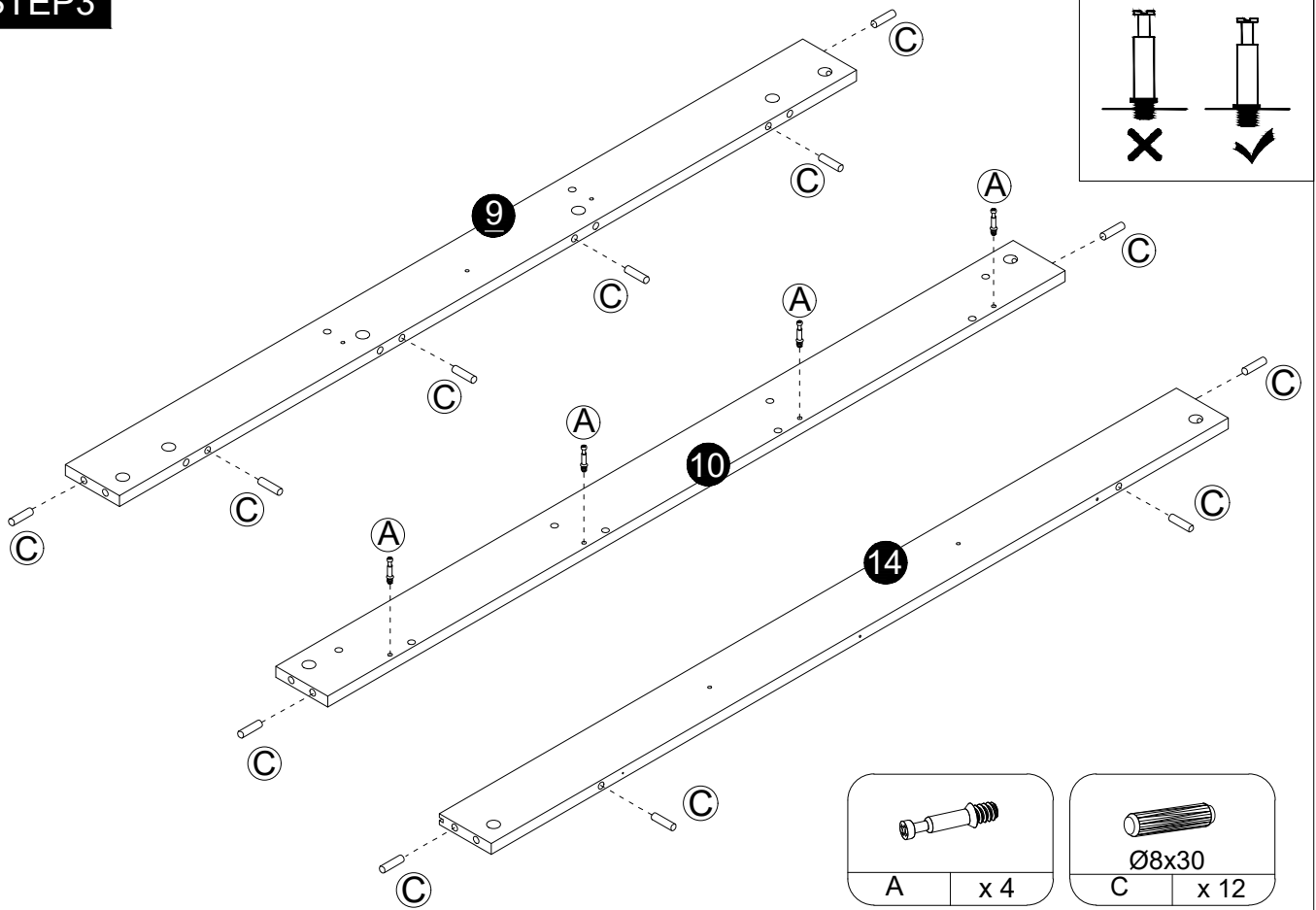



STEP 2




INSTALLATION INSTRUCTION

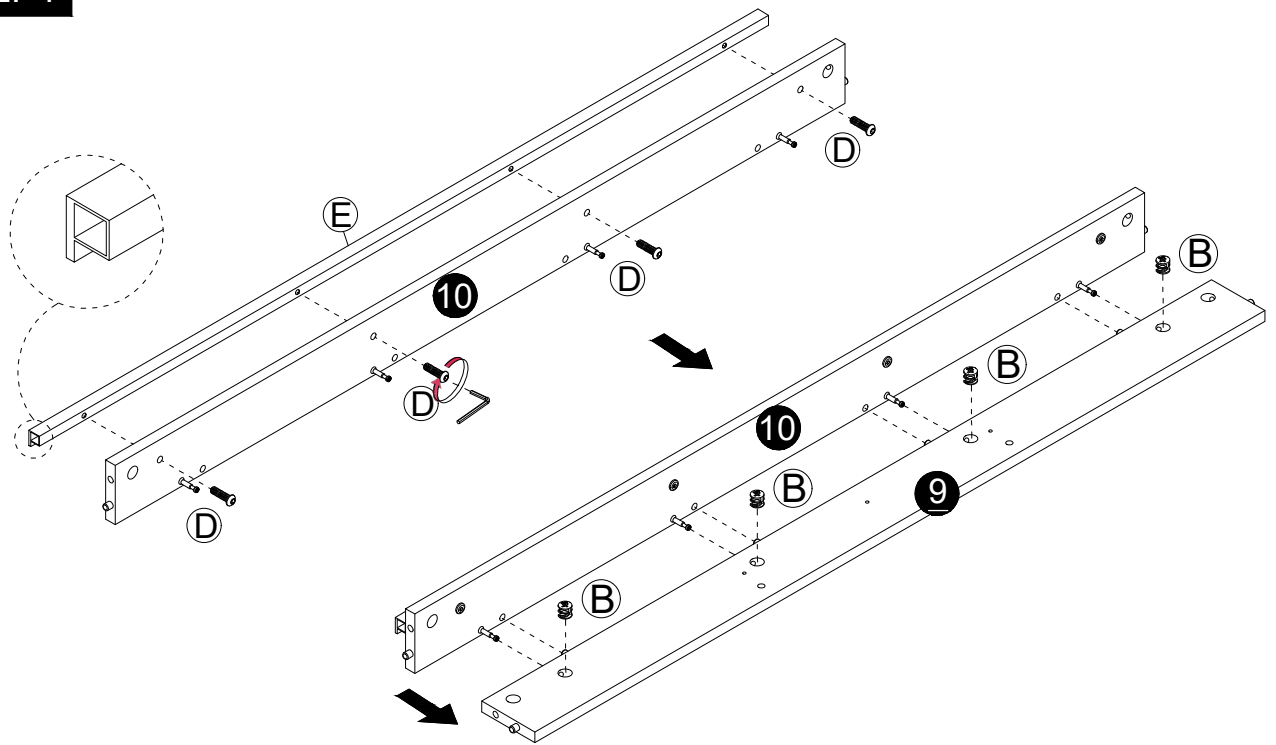
STEP 3





	A	x 4
--	---	-----


	C	x 12
--	---	------


STEP 4



	M4	CC	x 1
---	----	----	-----

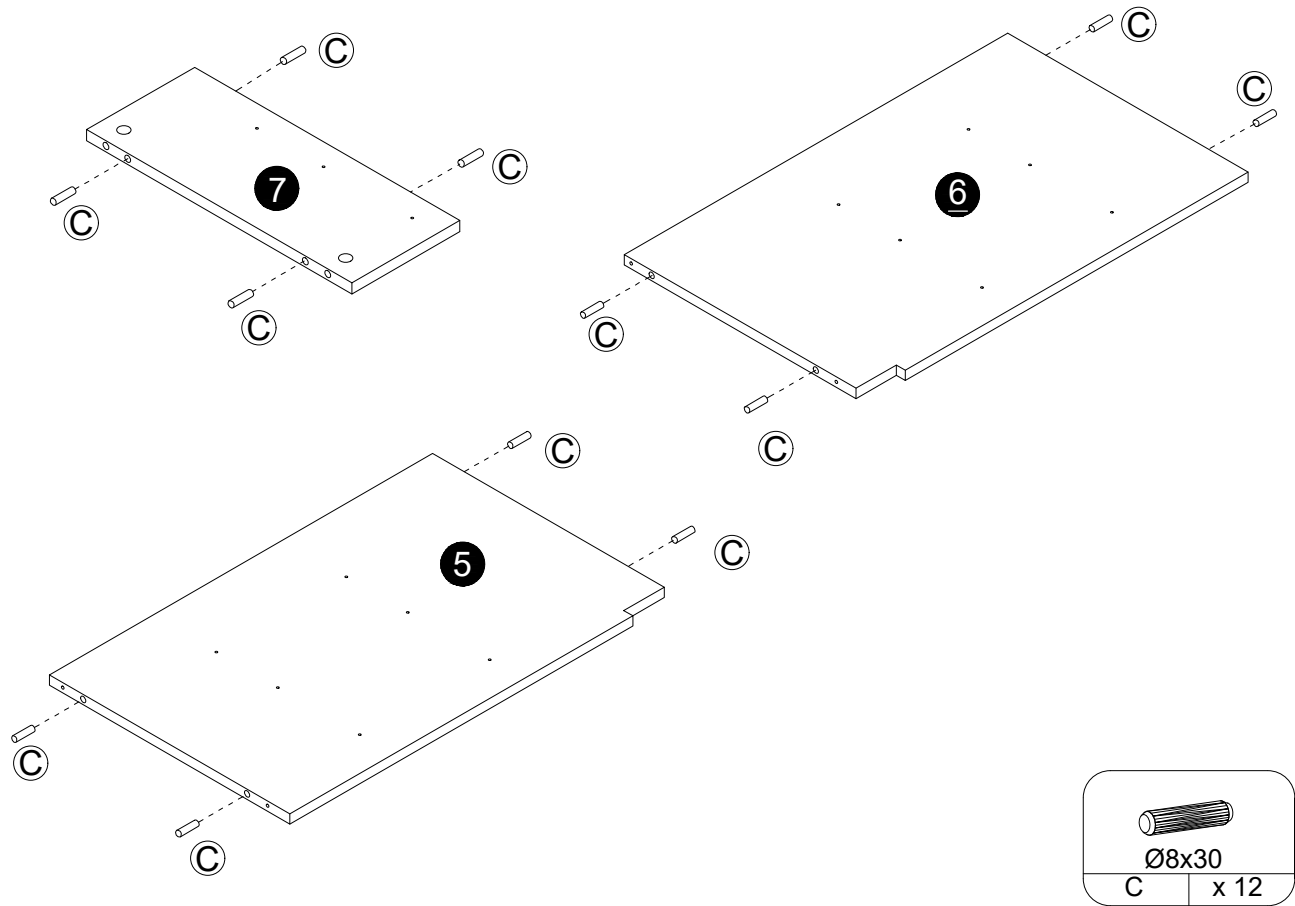
	E	x 1
--	---	-----

	Ø1/4x25mm	D	x 4
---	-----------	---	-----

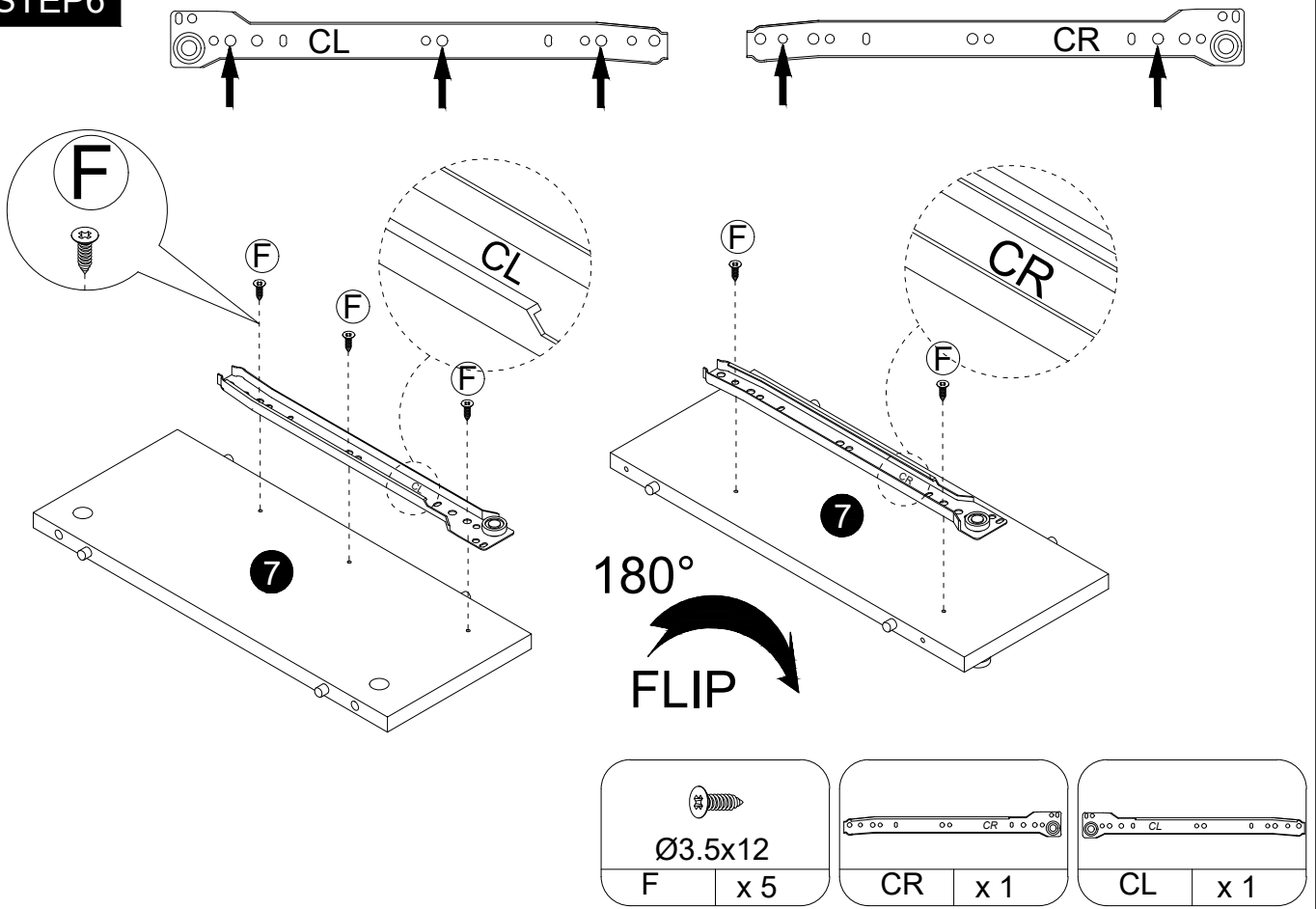
	Ø15x9.5mm	B	x 4
---	-----------	---	-----

INSTALLATION INSTRUCTION

STEP 5

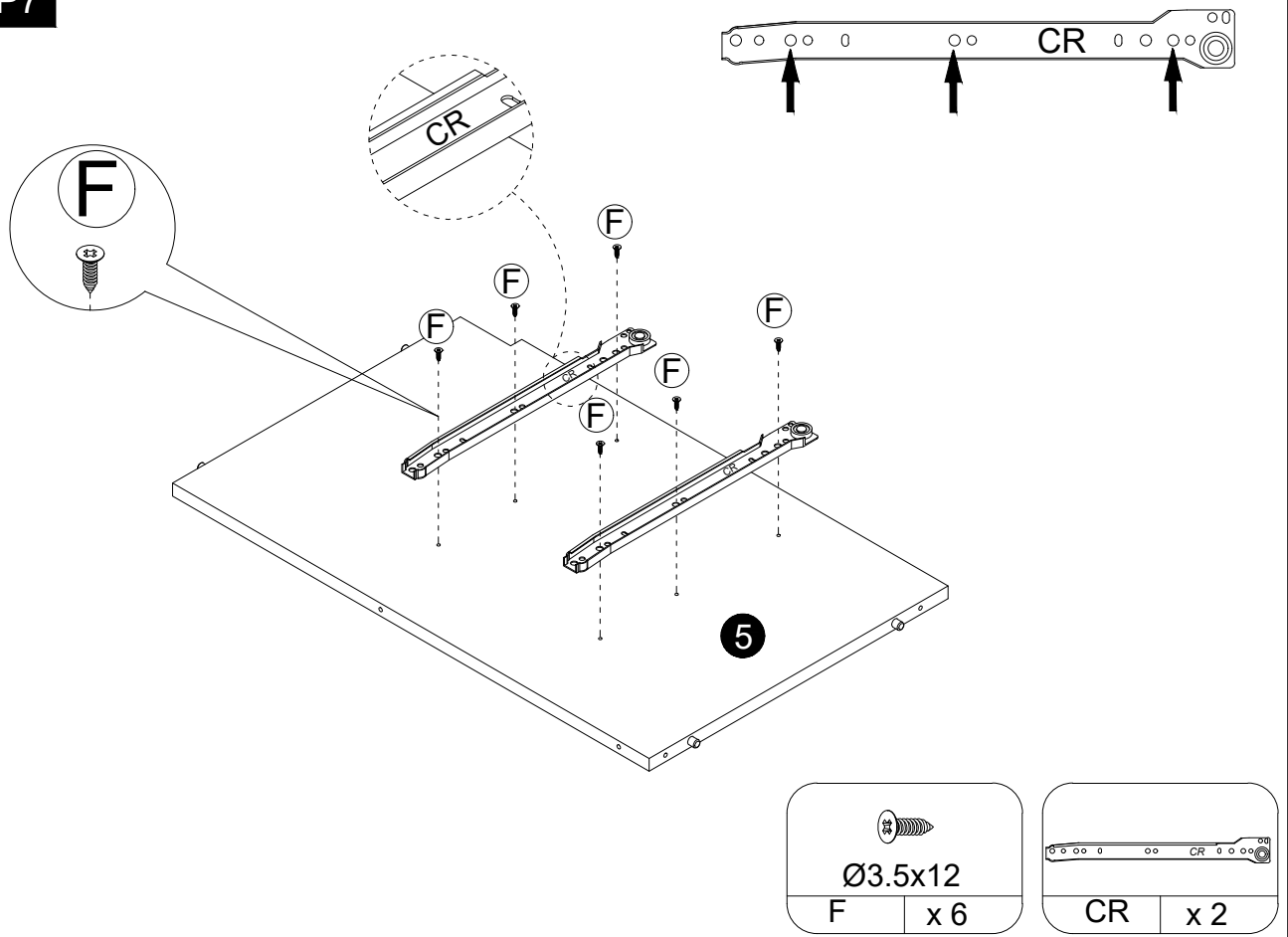


STEP 6

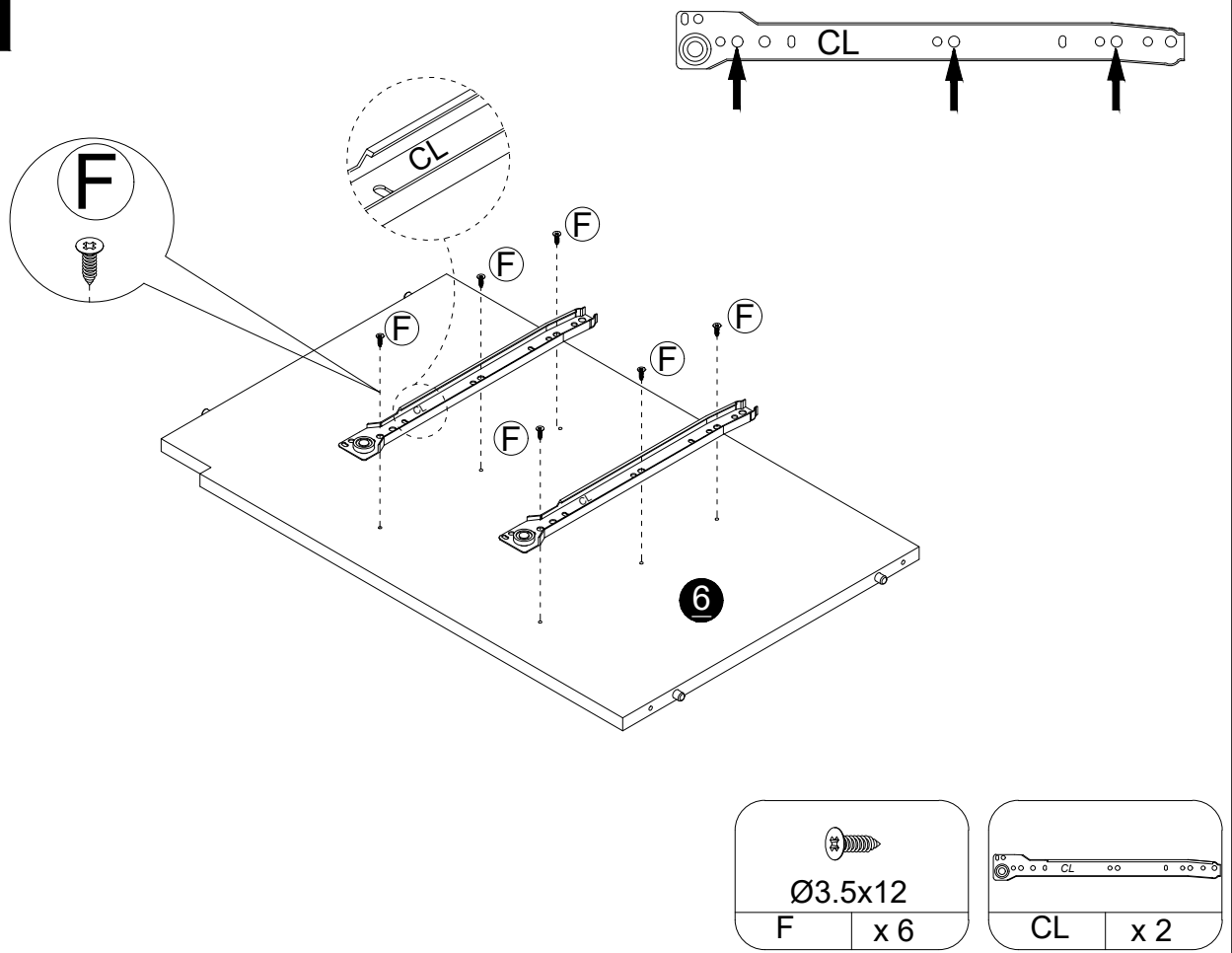


INSTALLATION INSTRUCTION

STEP 7

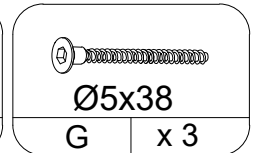
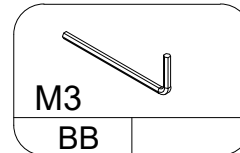
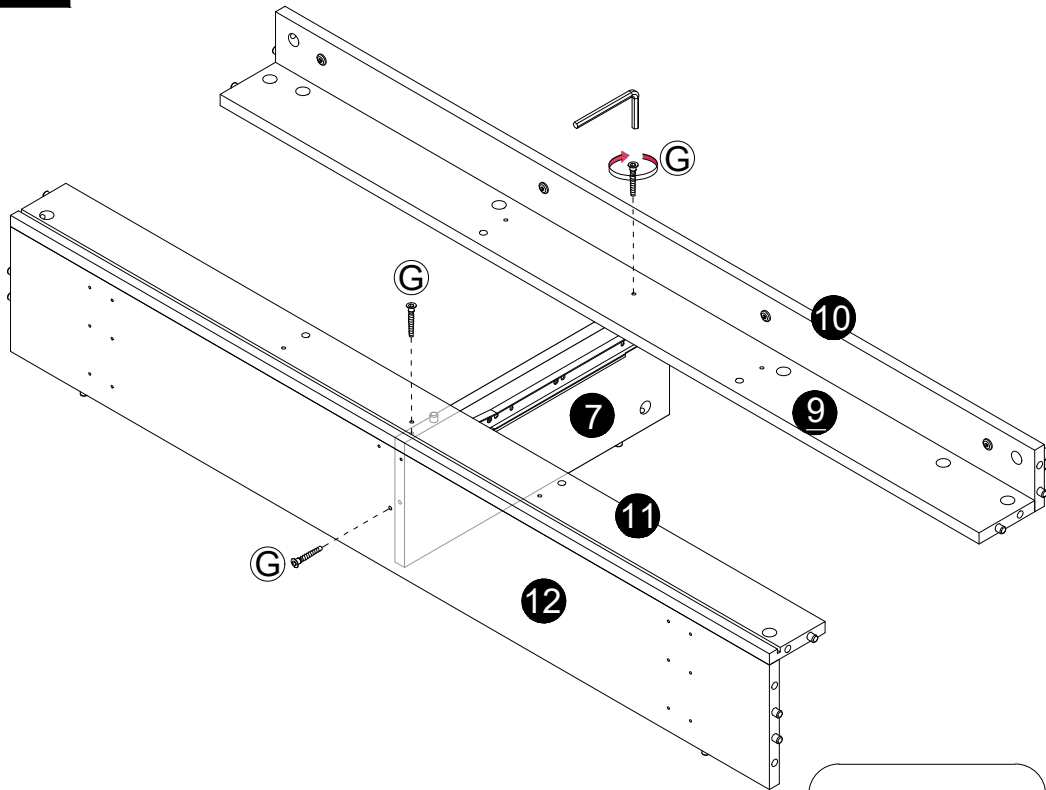


STEP 8

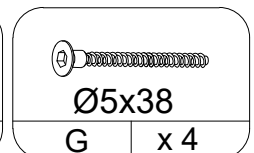
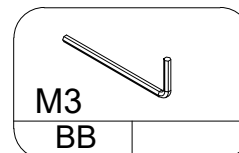
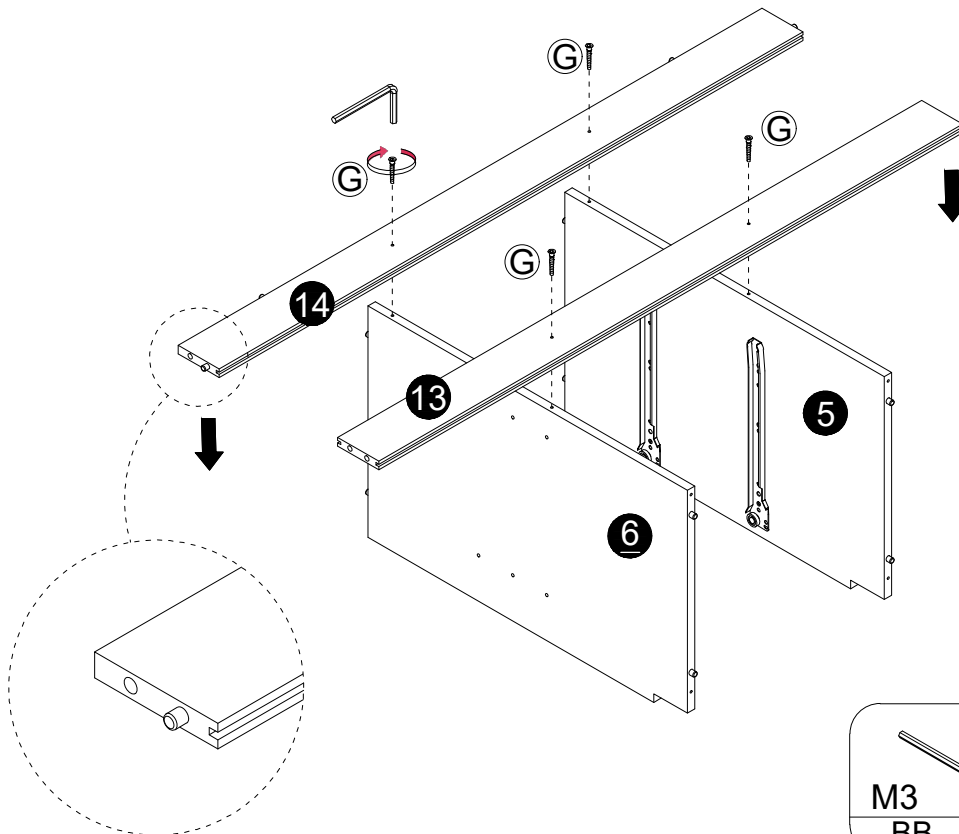


INSTALLATION INSTRUCTION

STEP 9

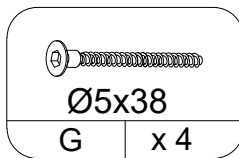
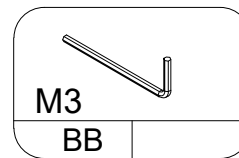
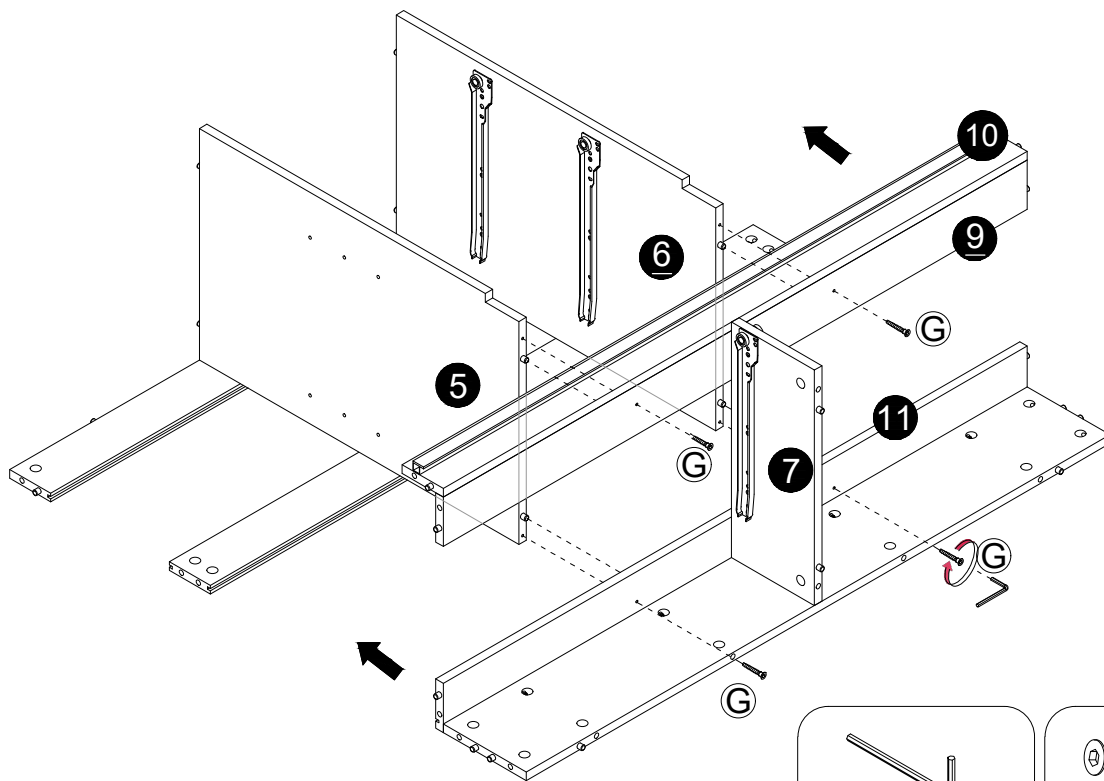


STEP 10

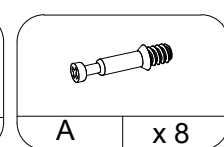
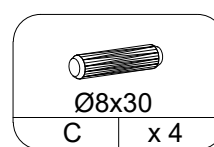
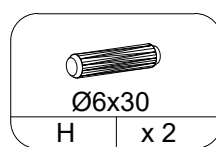
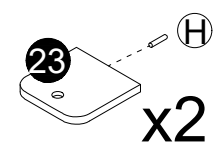
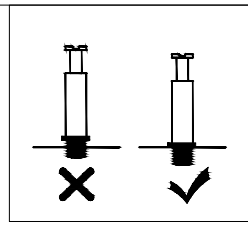
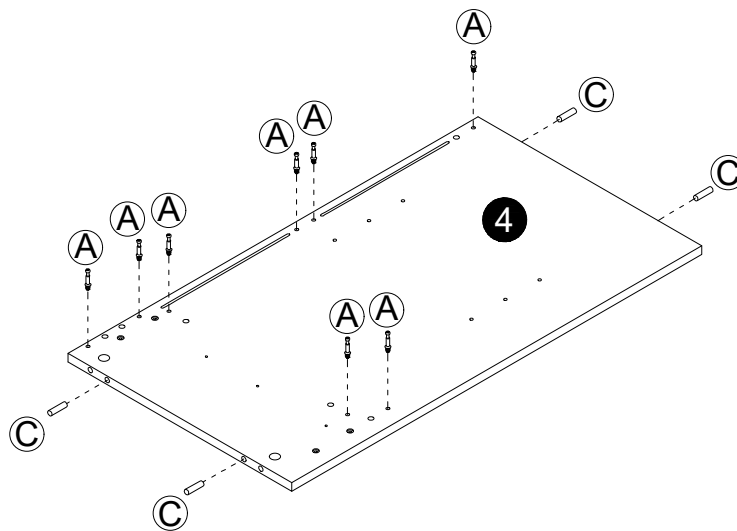


INSTALLATION INSTRUCTION

STEP 11

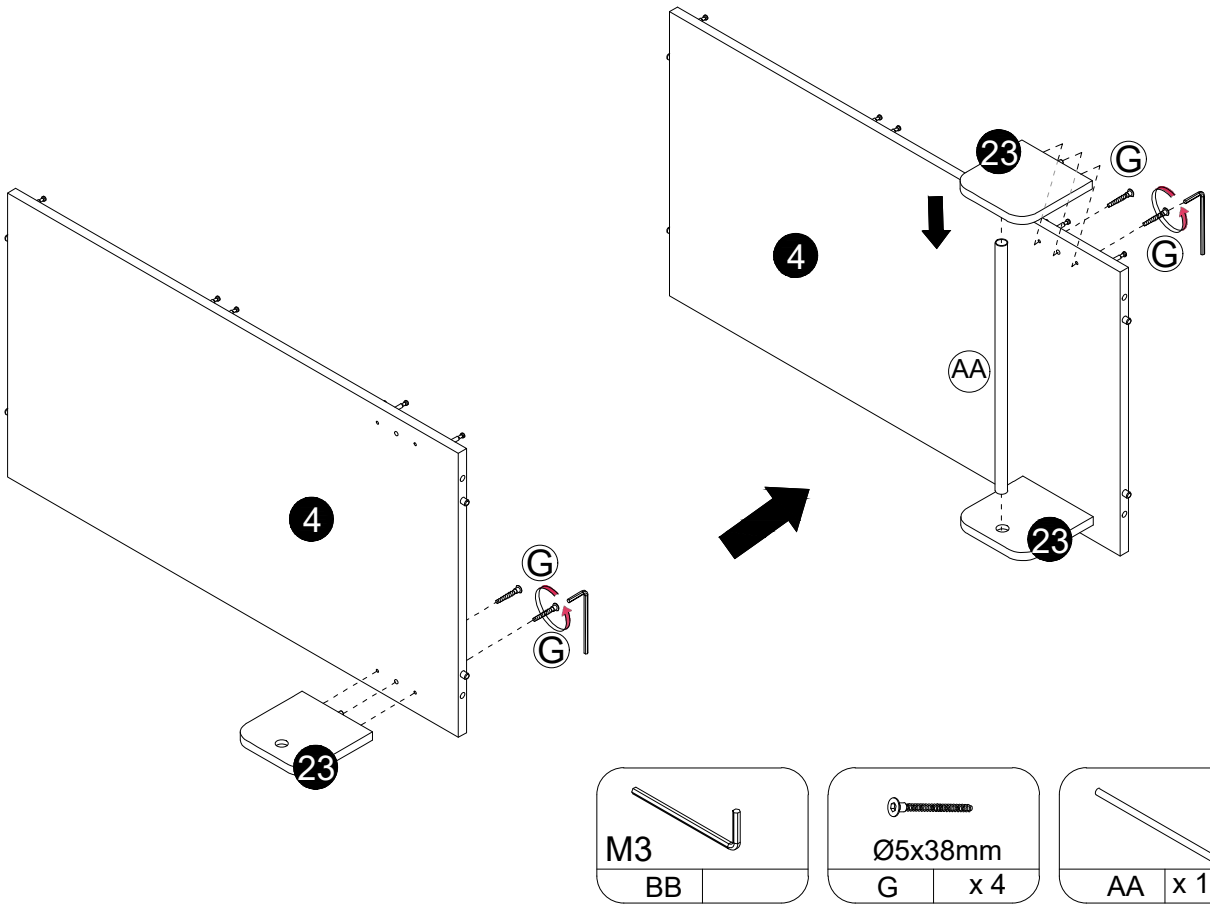


STEP 12

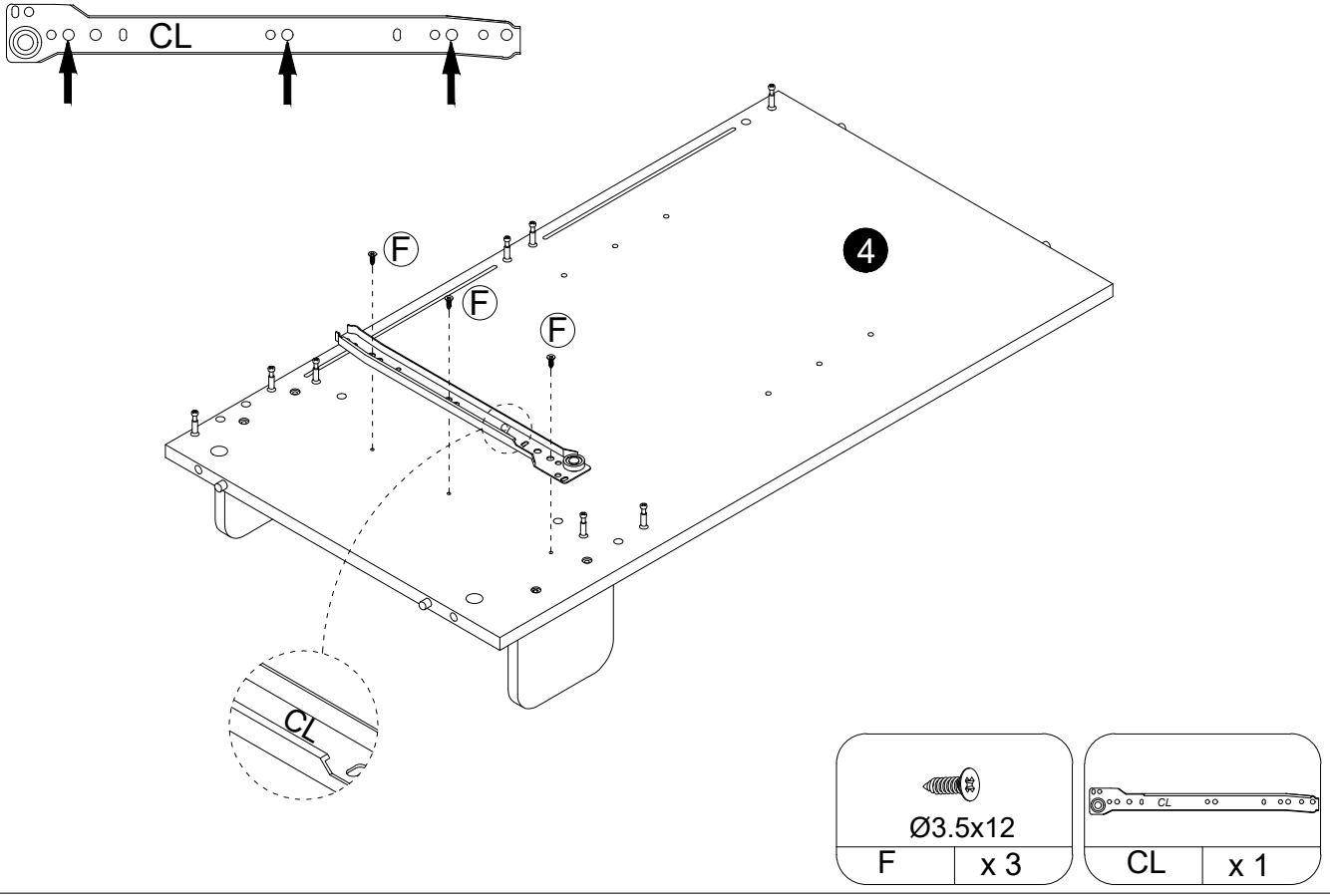


INSTALLATION INSTRUCTION

STEP 13

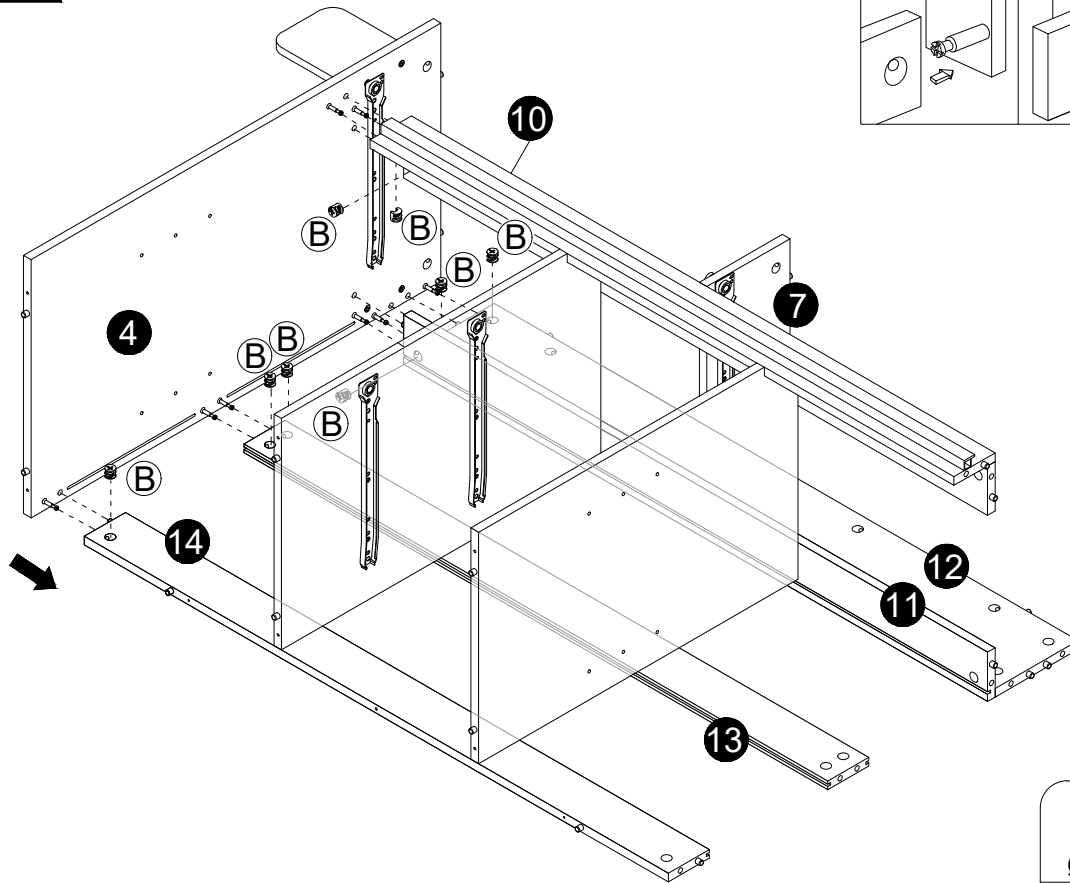


STEP 14

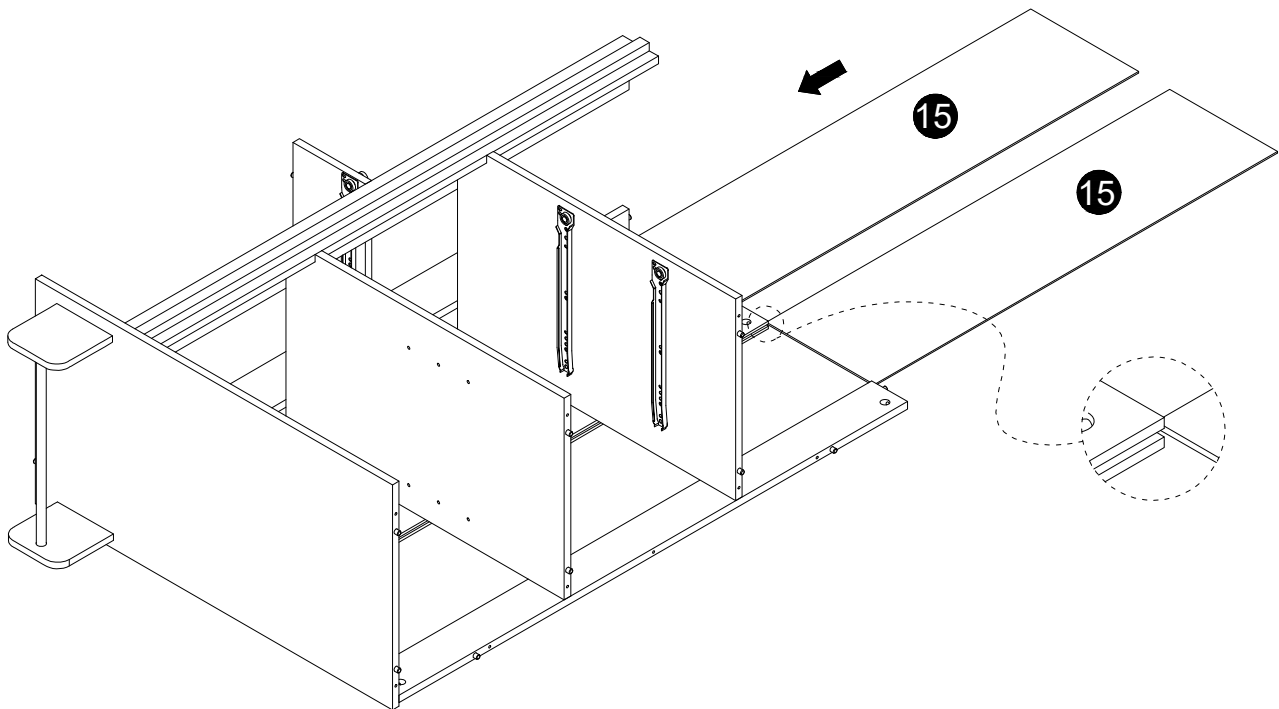


INSTALLATION INSTRUCTION

STEP 15

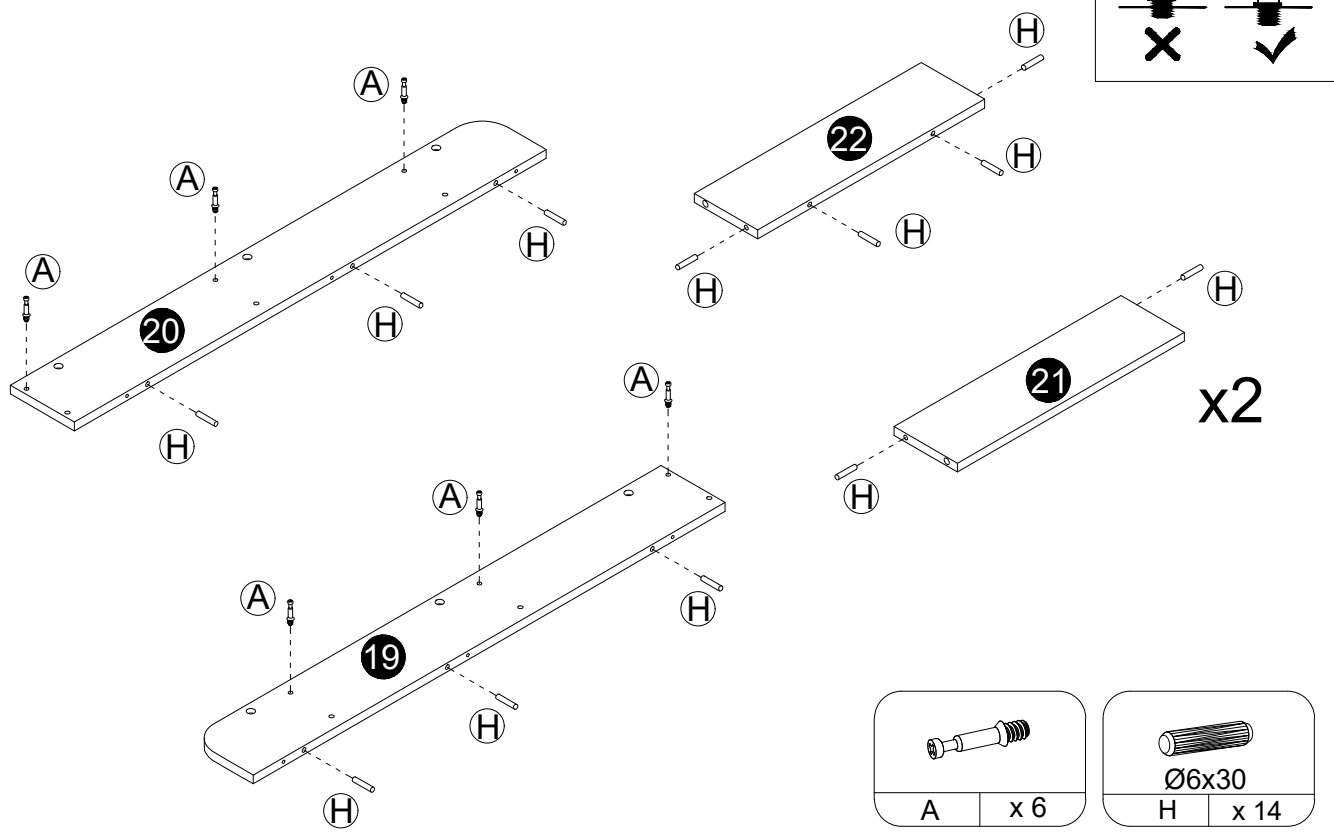


STEP 16

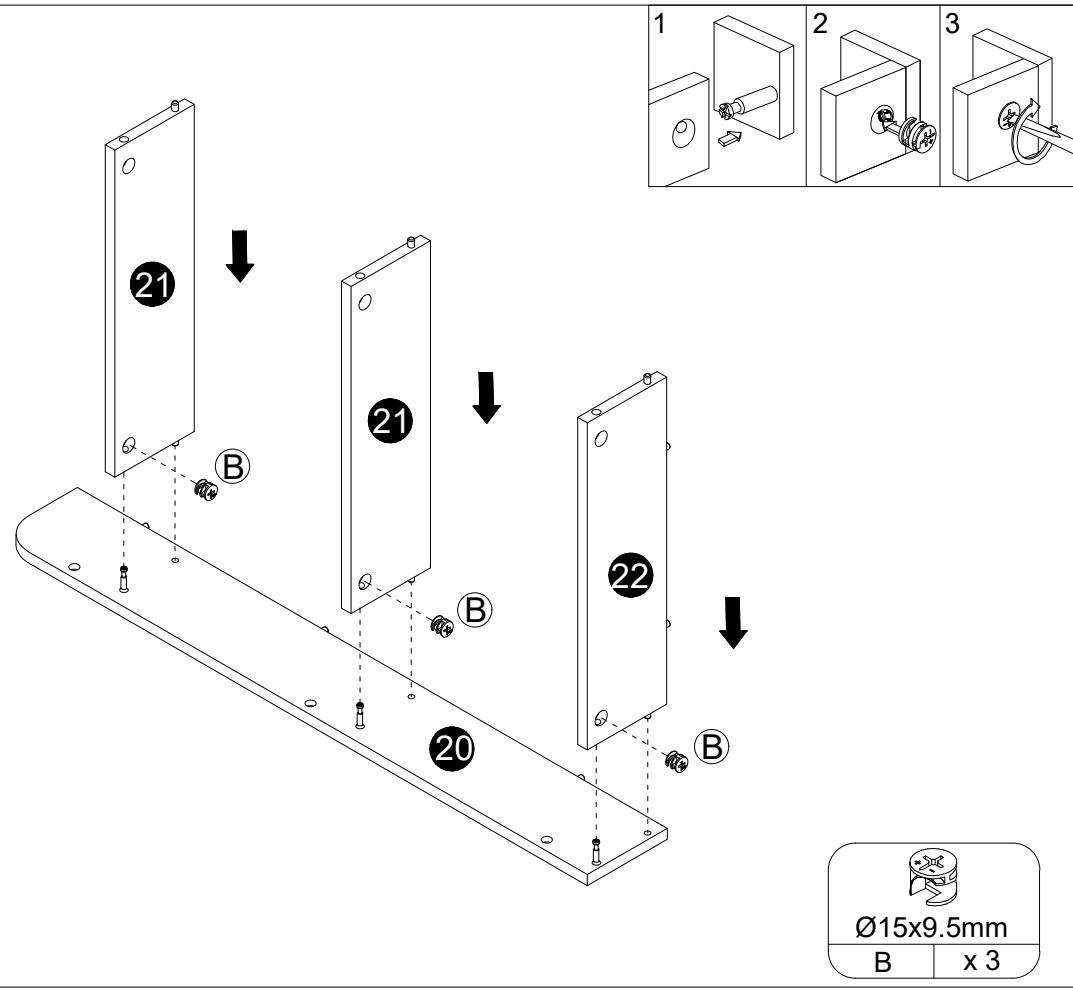


INSTALLATION INSTRUCTION

STEP 17

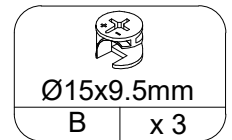
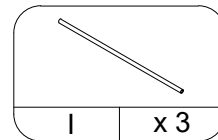
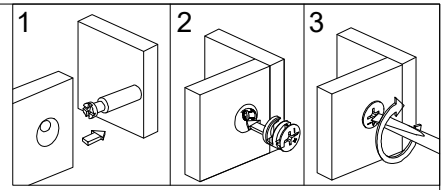
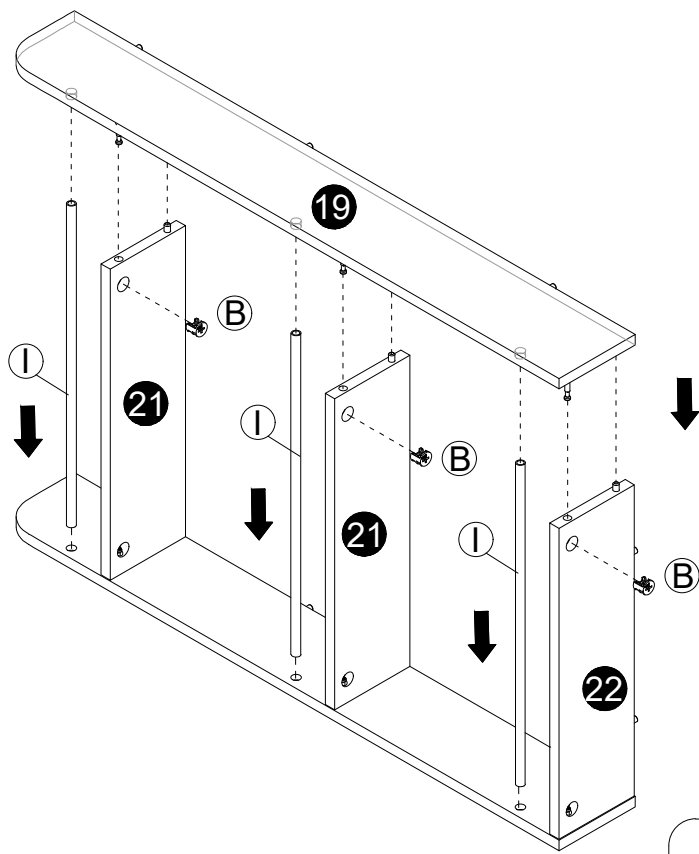


STEP 18

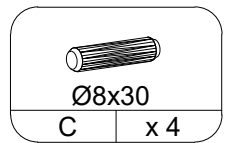
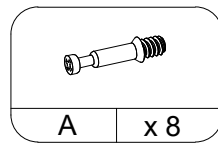
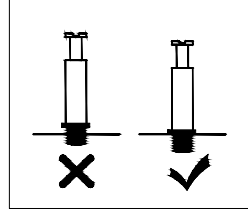
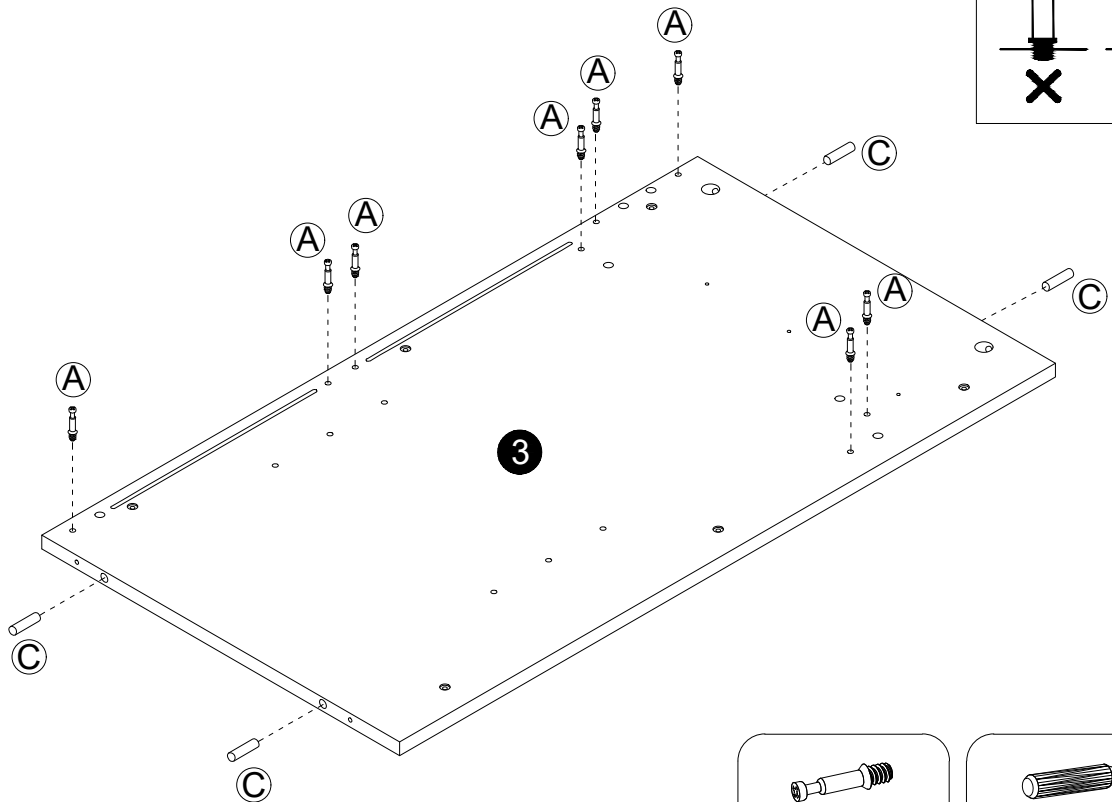


INSTALLATION INSTRUCTION

STEP 19

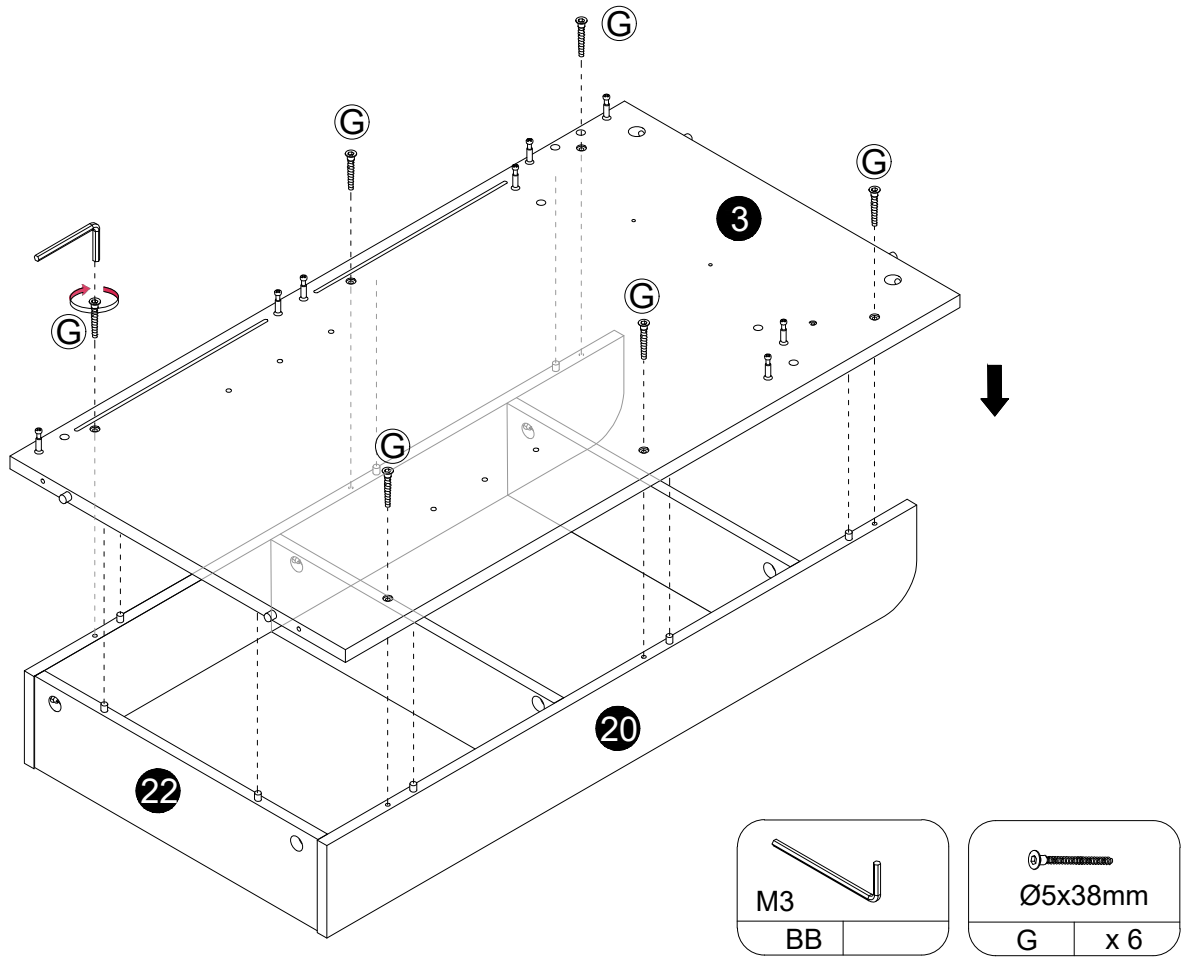


STEP 20

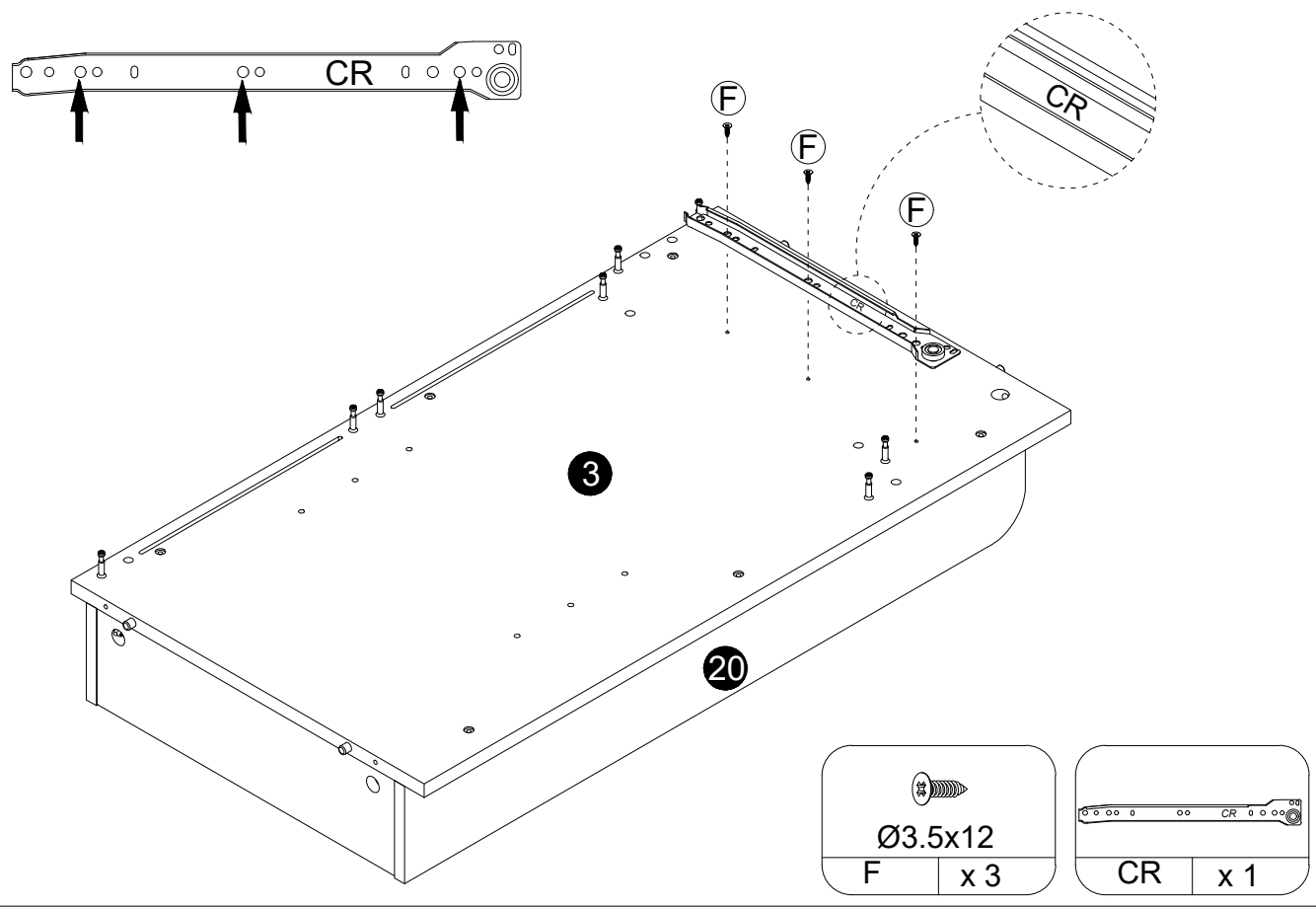


INSTALLATION INSTRUCTION

STEP21

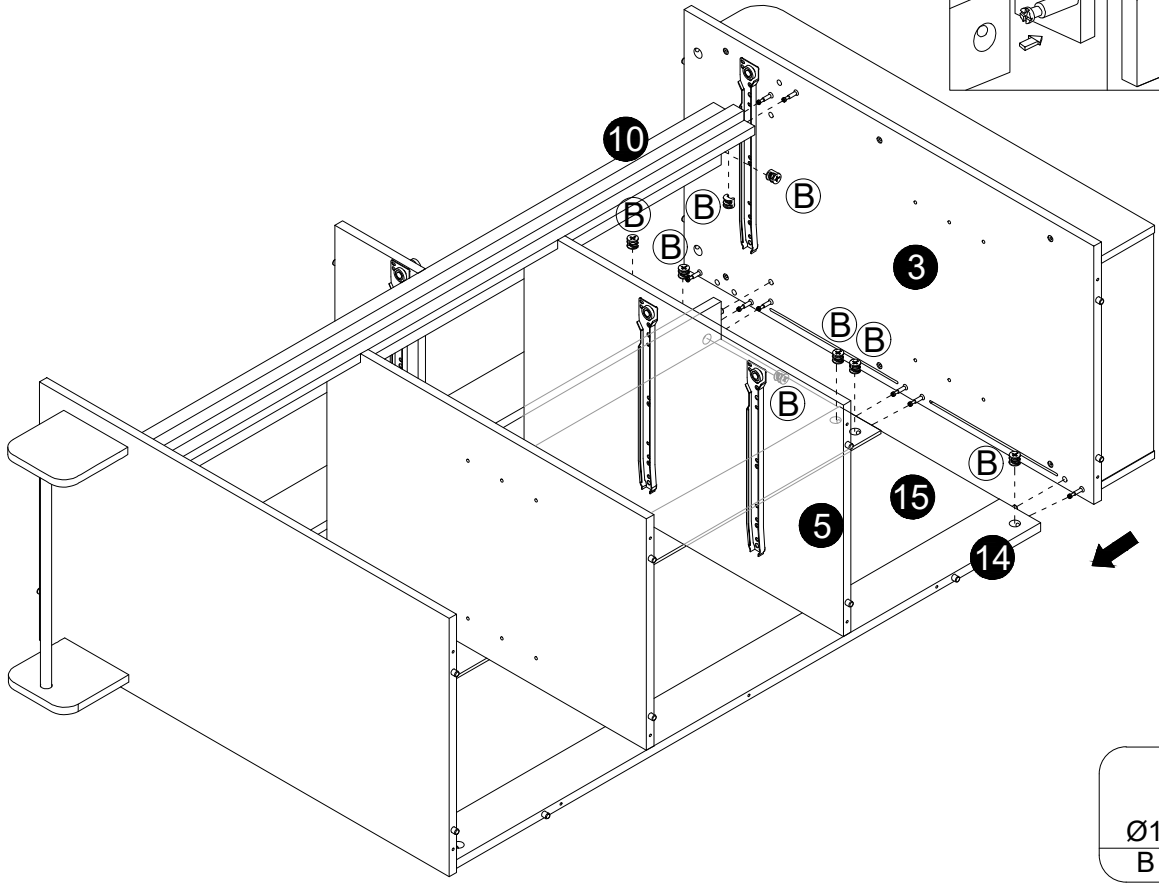
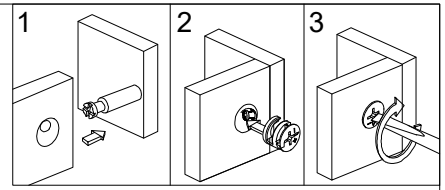



STEP22



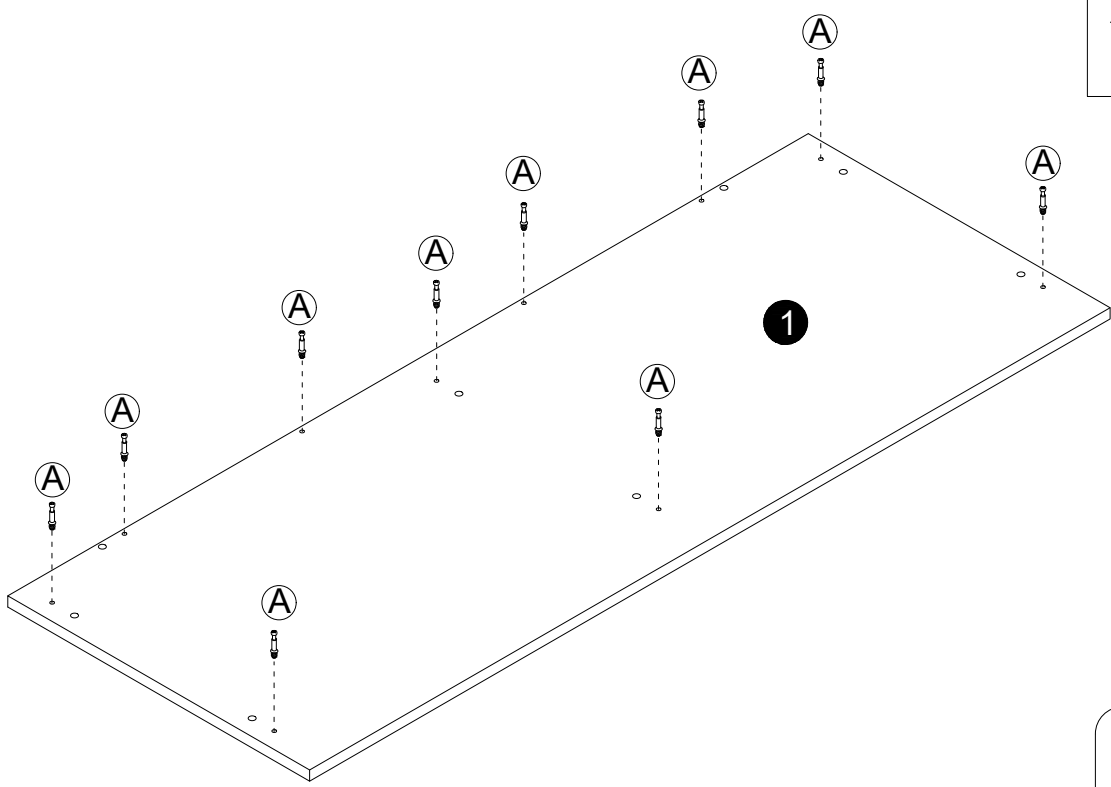
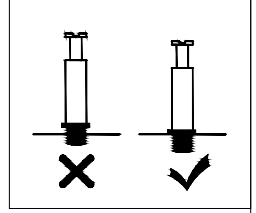
INSTALLATION INSTRUCTION

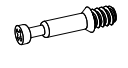
STEP23




Ø15x9.5mm
B x 8

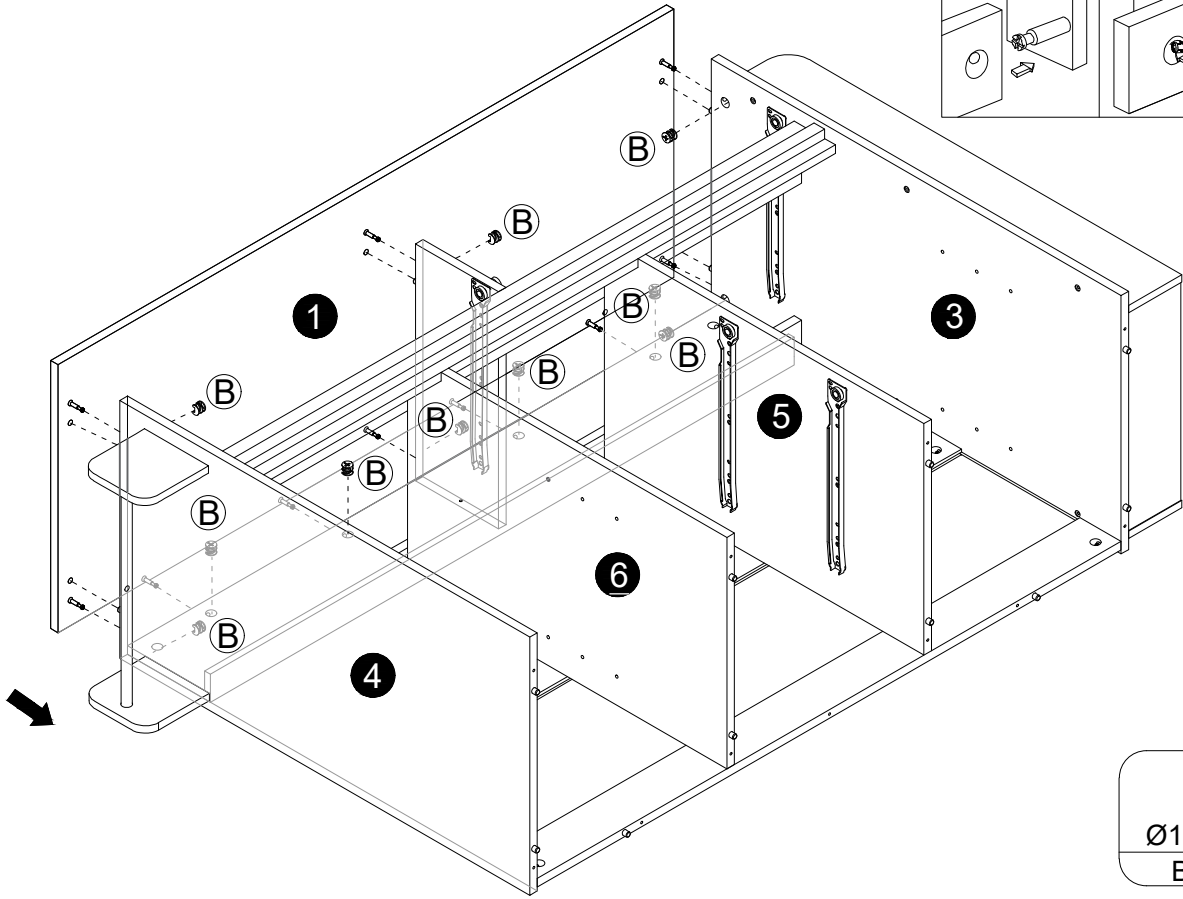
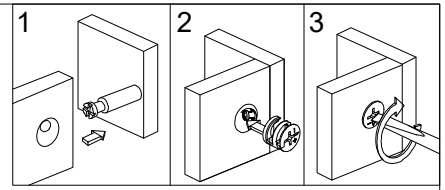
STEP24




A x 10

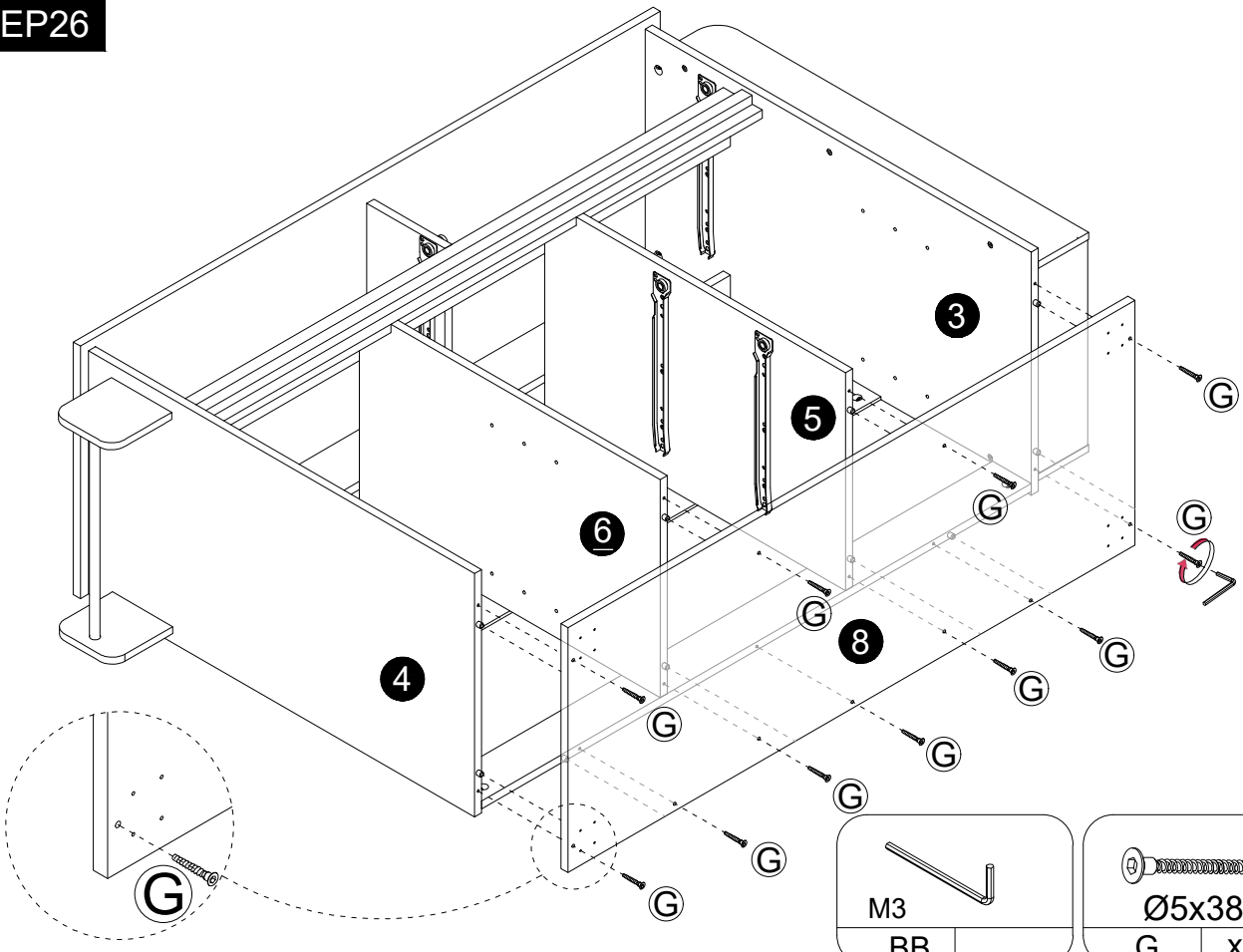
INSTALLATION INSTRUCTION

STEP 25



Ø15x9.5mm	
B	x 10

STEP 26

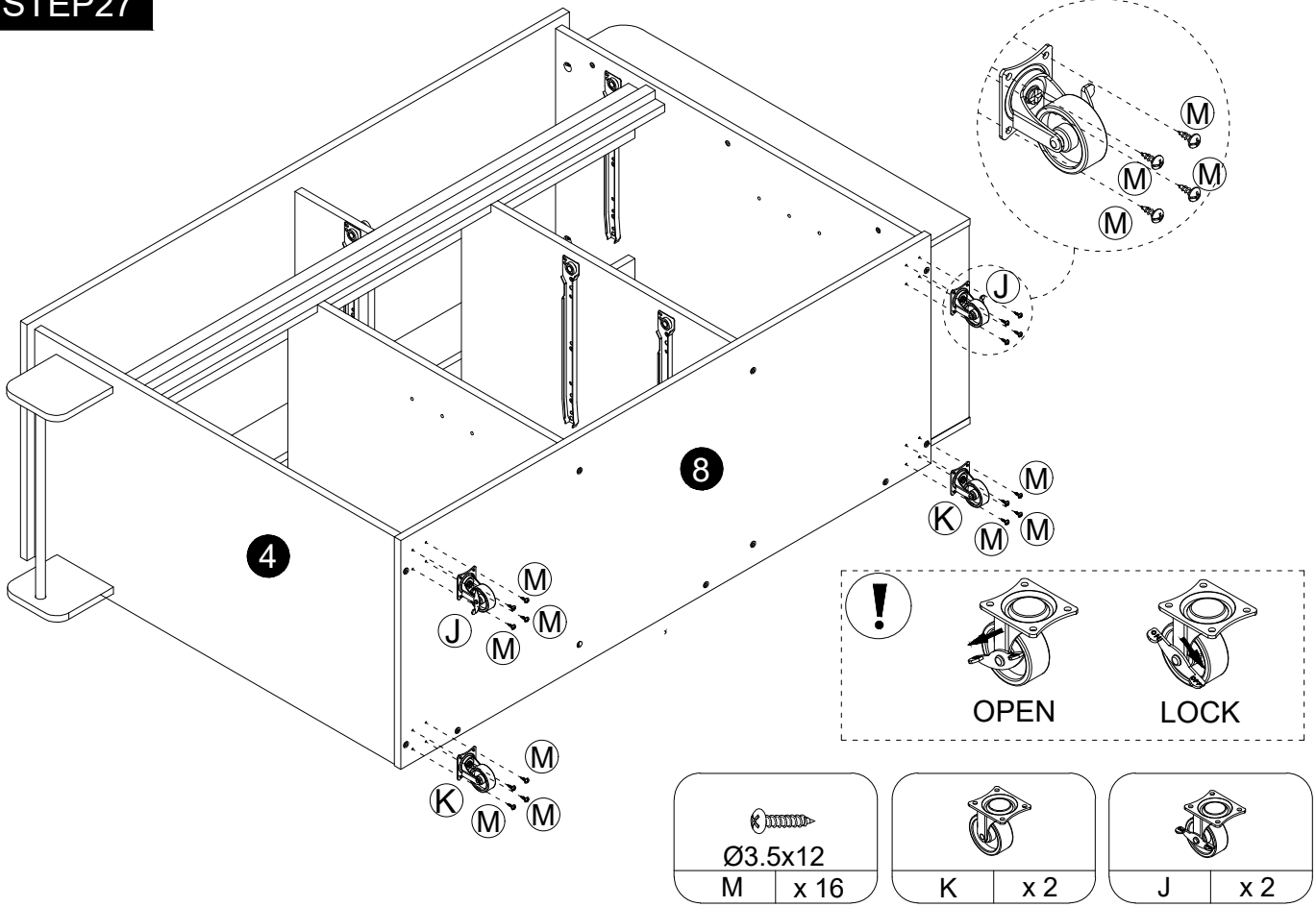


M3	
BB	

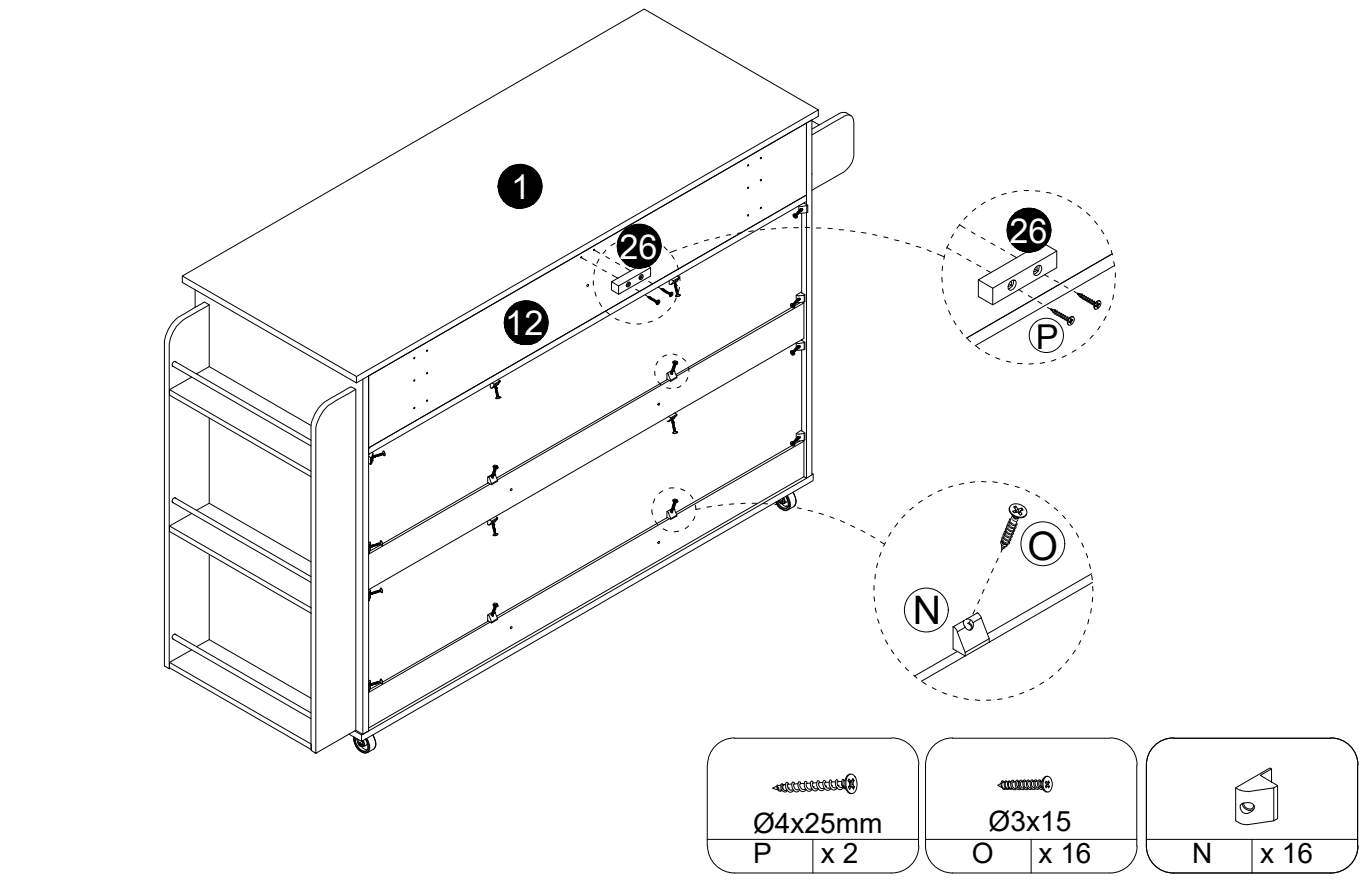
Ø5x38	
G	x 11

INSTALLATION INSTRUCTION

STEP27

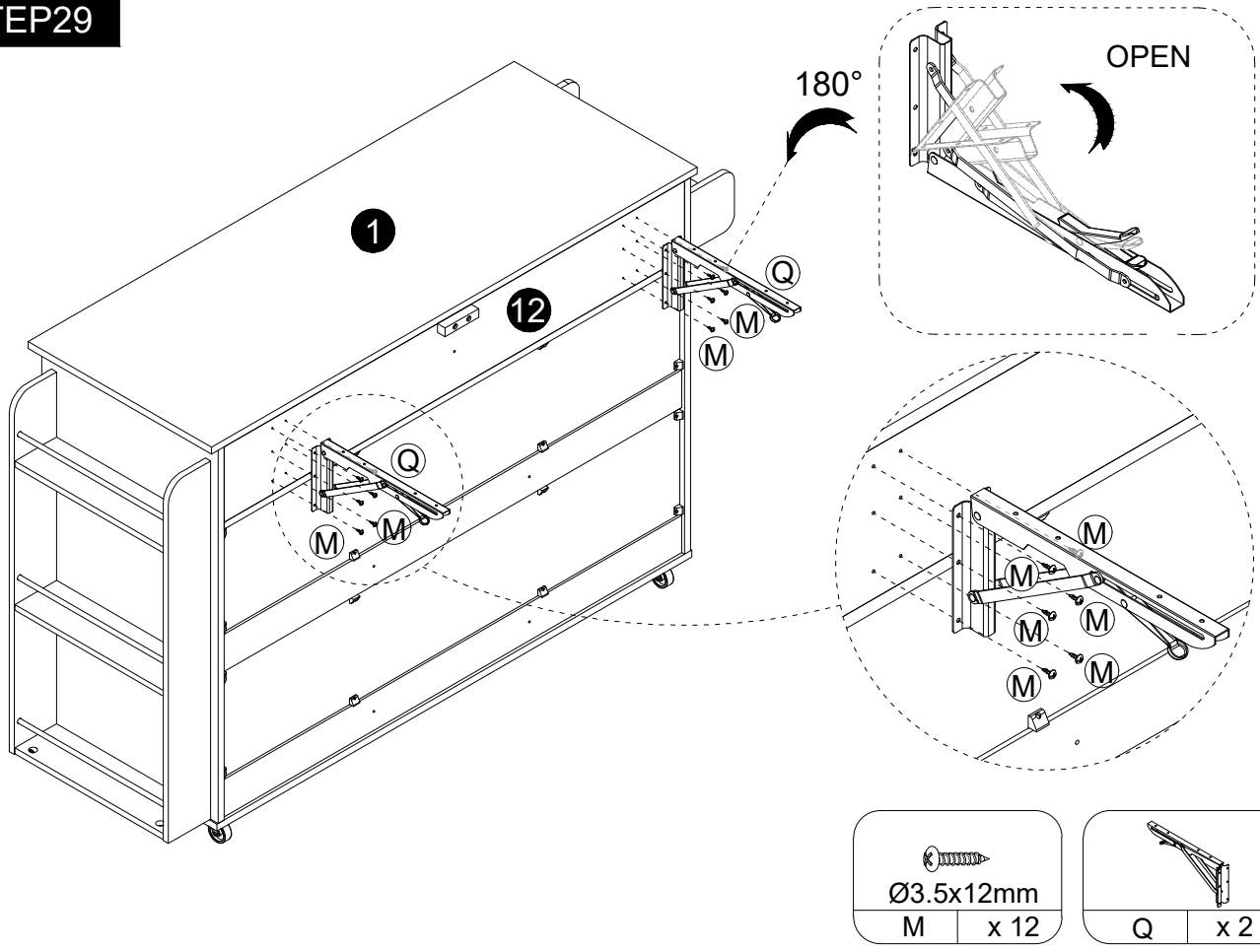


STEP28

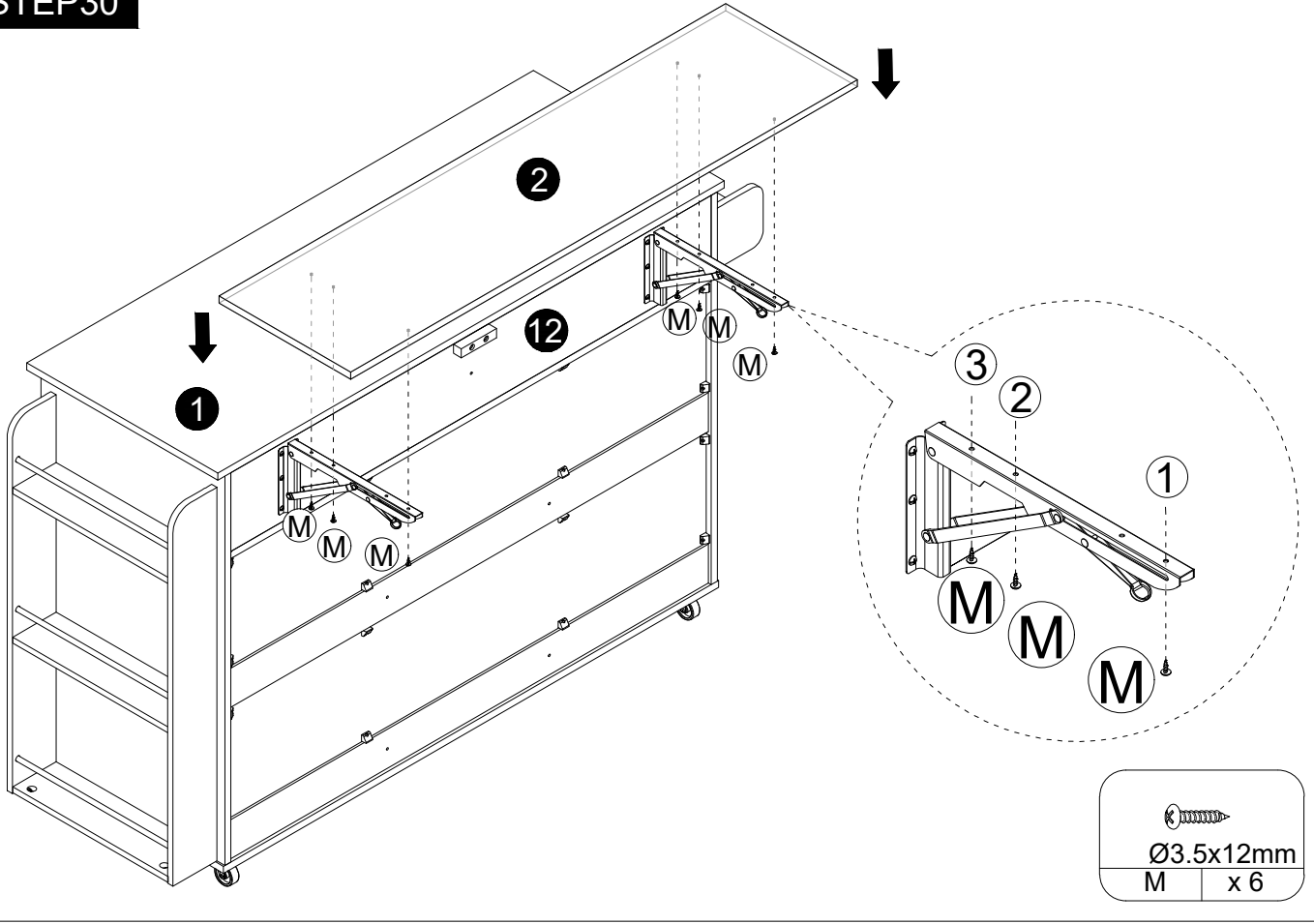


INSTALLATION INSTRUCTION

STEP29

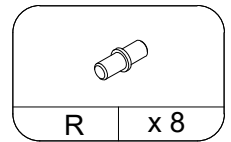
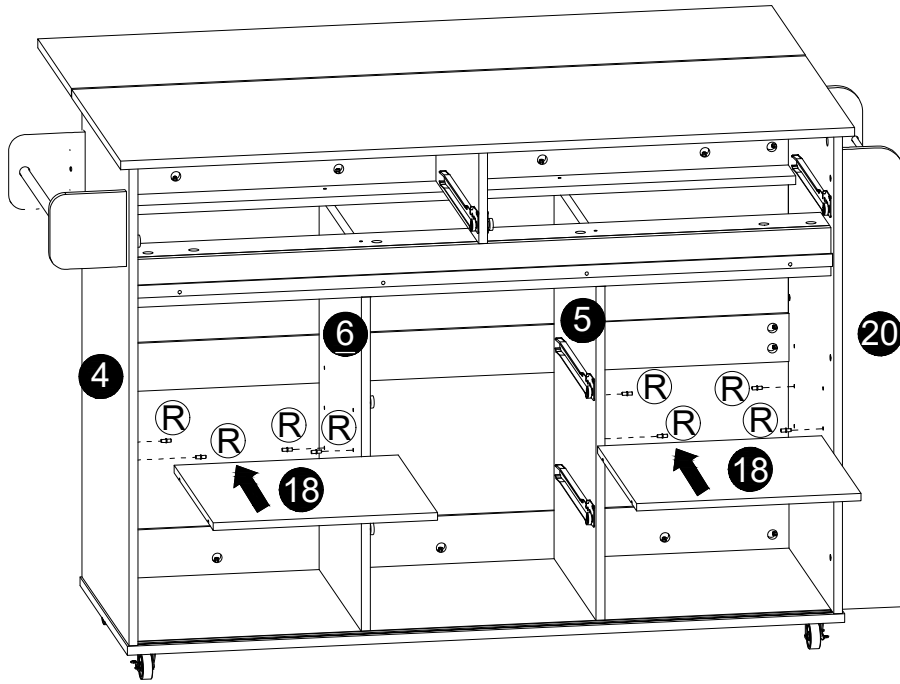


STEP30

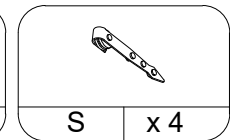
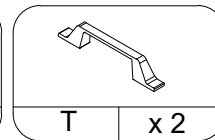
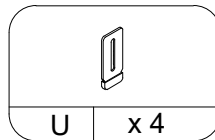
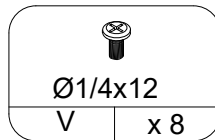
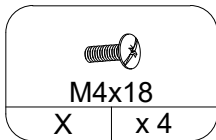
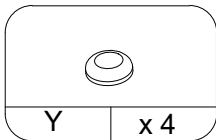
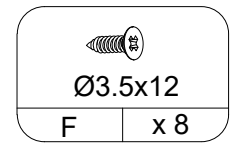
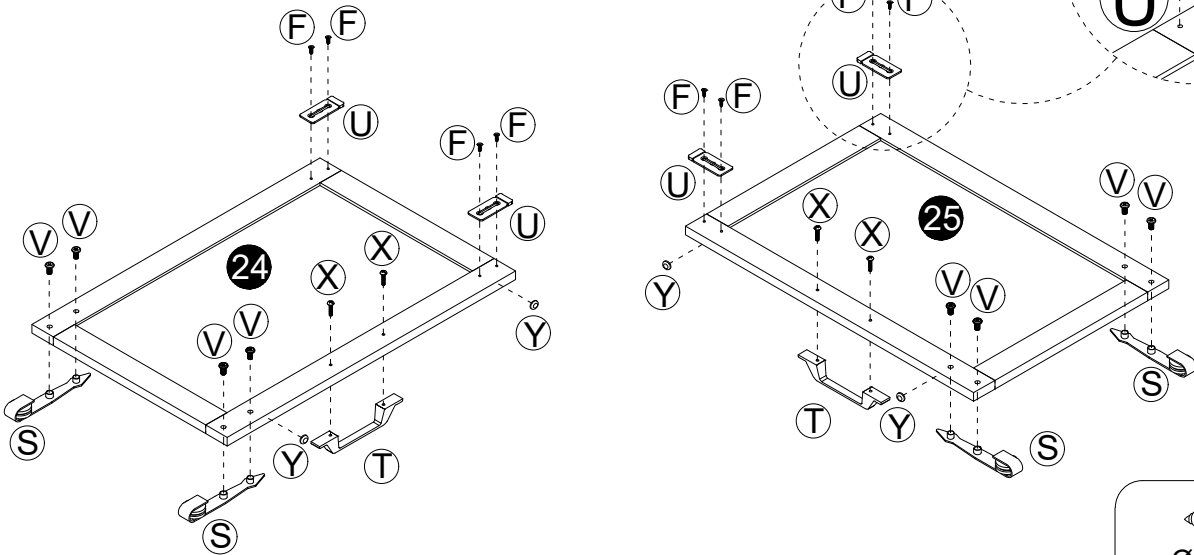


INSTALLATION INSTRUCTION

STEP31

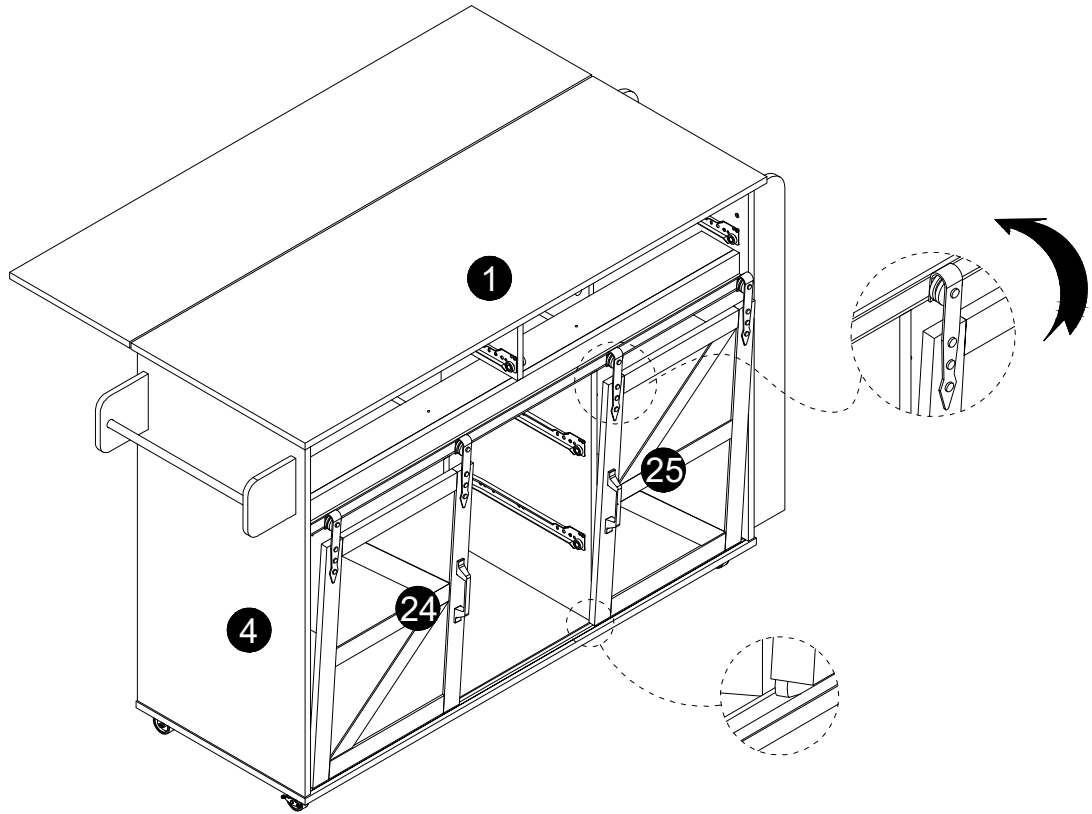


STEP32

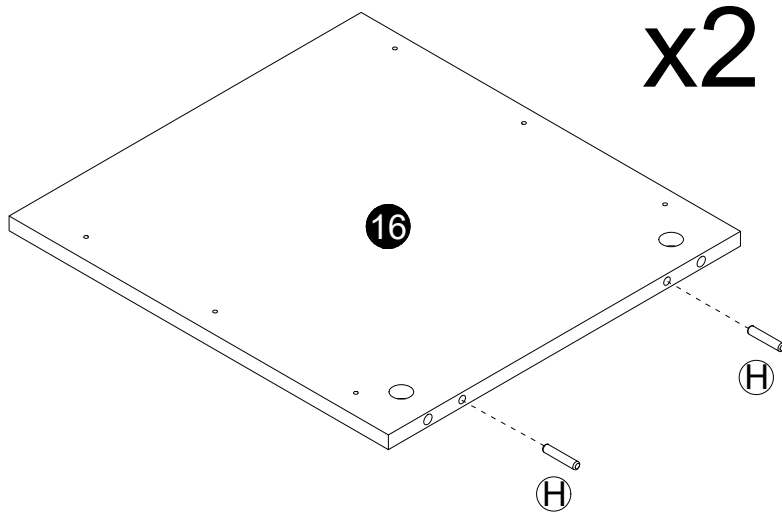


INSTALLATION INSTRUCTION

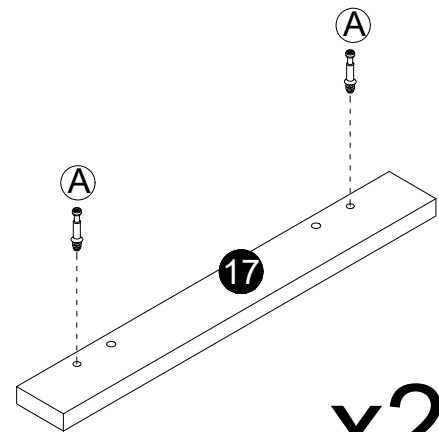
STEP 33



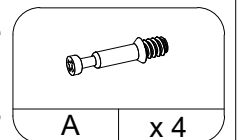
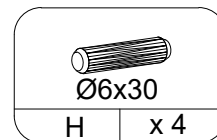
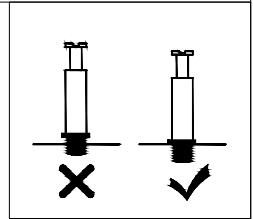
STEP 34



x2

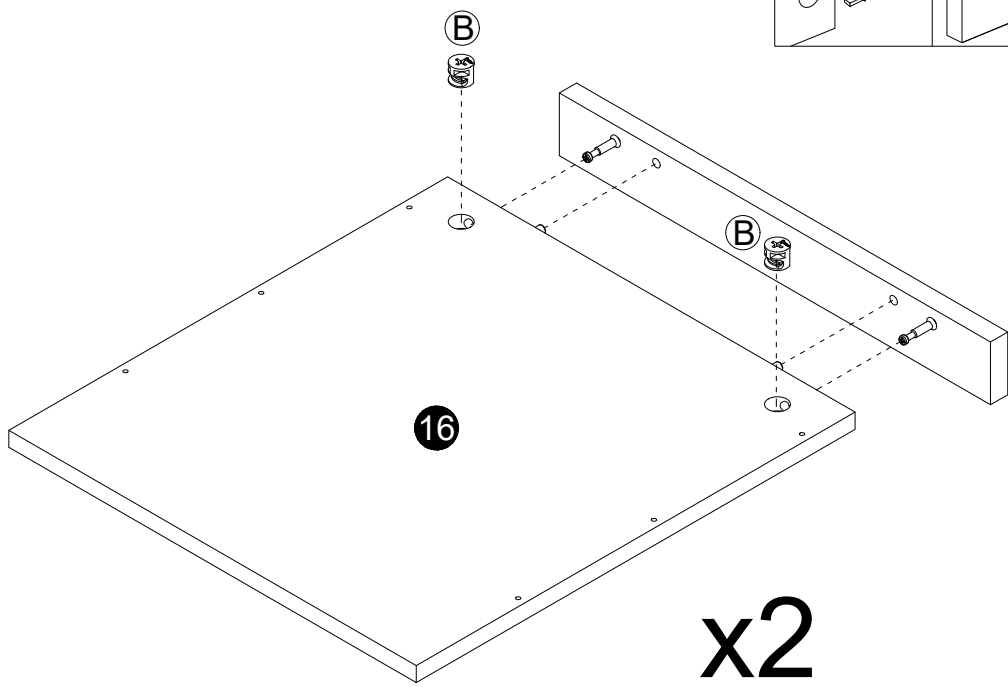
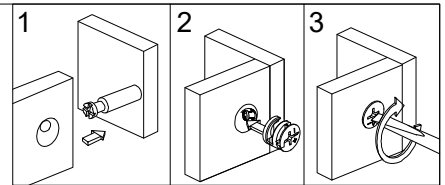


x2



INSTALLATION INSTRUCTION

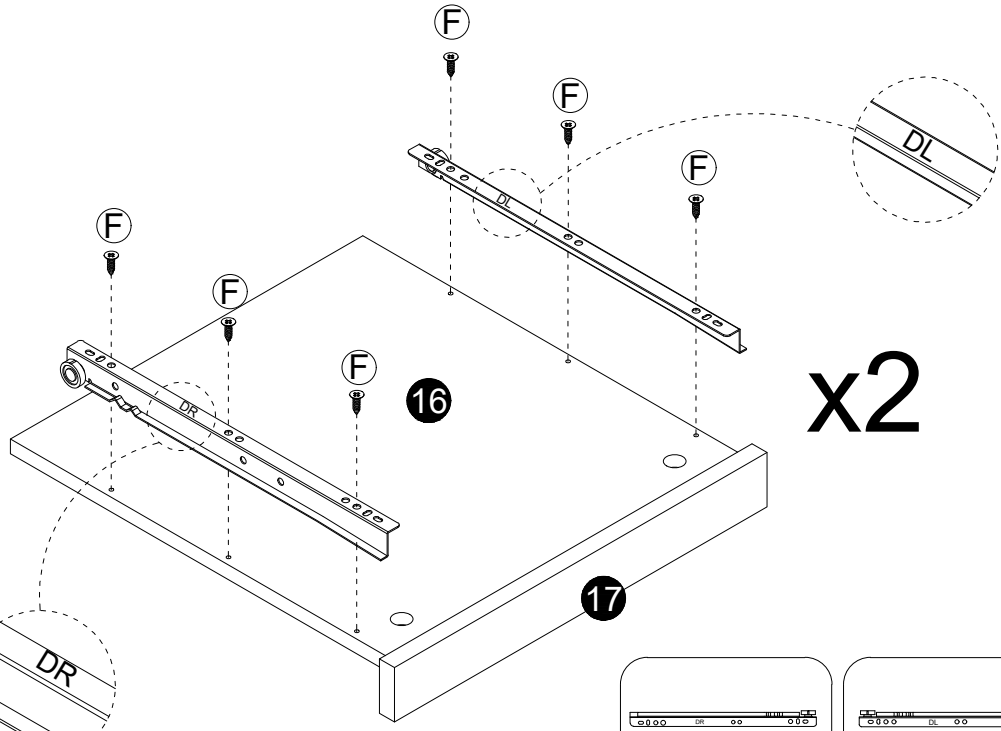
STEP35



x2

Ø15x9.5mm	
B	x 4

STEP36

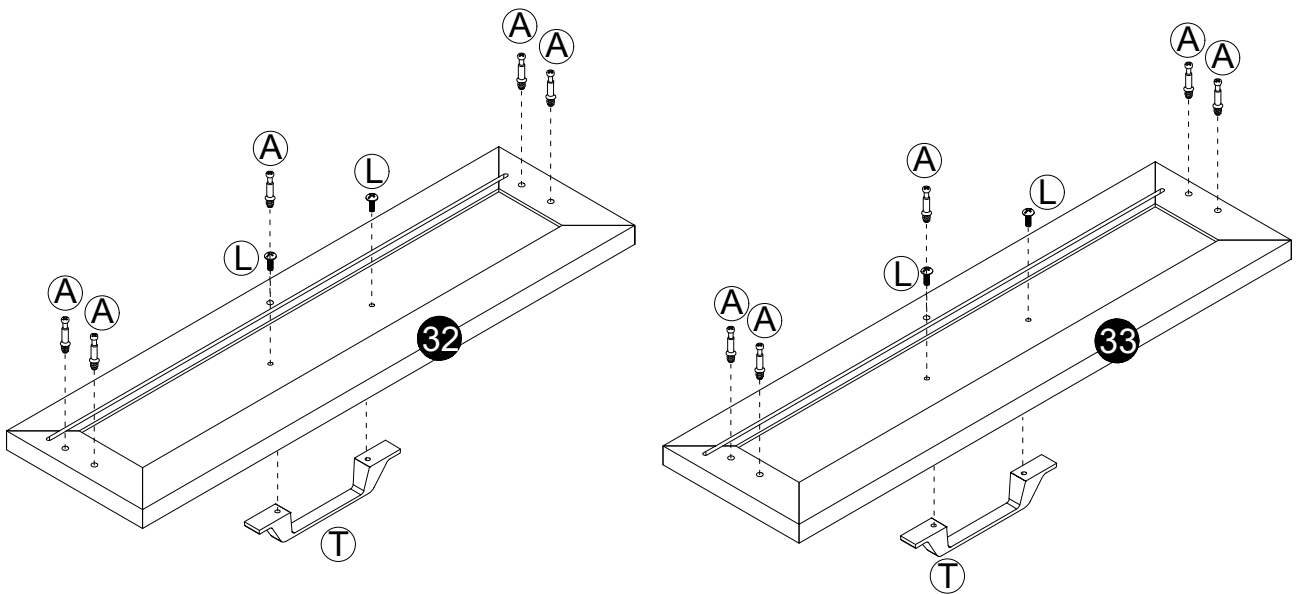



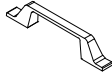
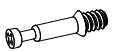
x2

DR		x 2		Ø3.5x12	
DL		x 2		F	
				x 12	

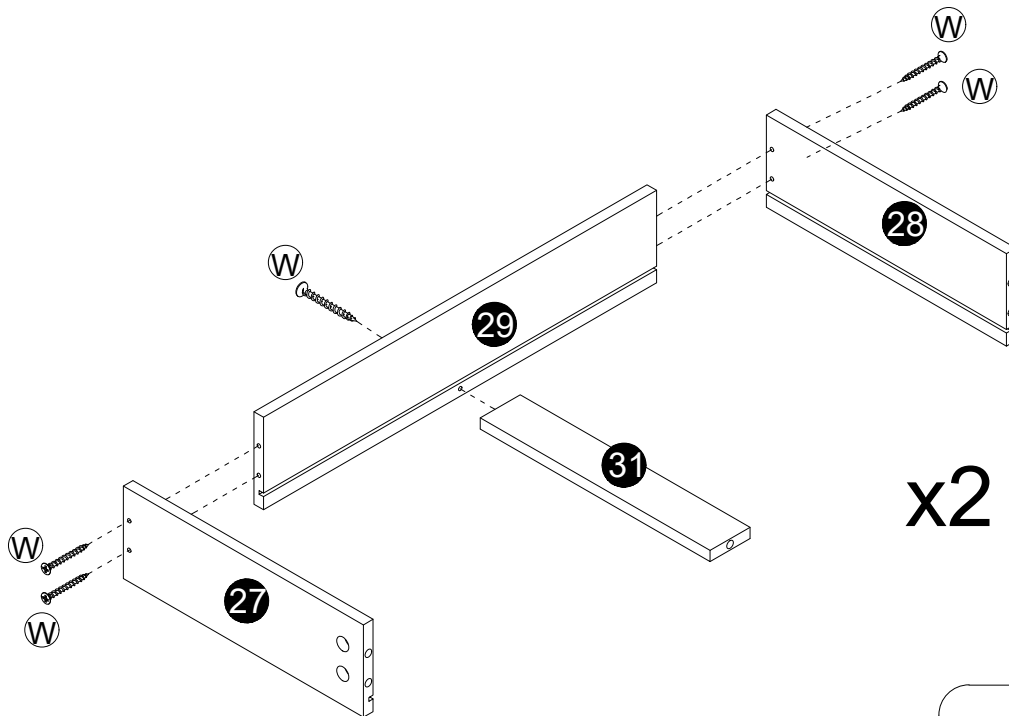
INSTALLATION INSTRUCTION

STEP37

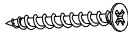


		
M4x9		
L x 4	T x 2	A x 10

STEP38

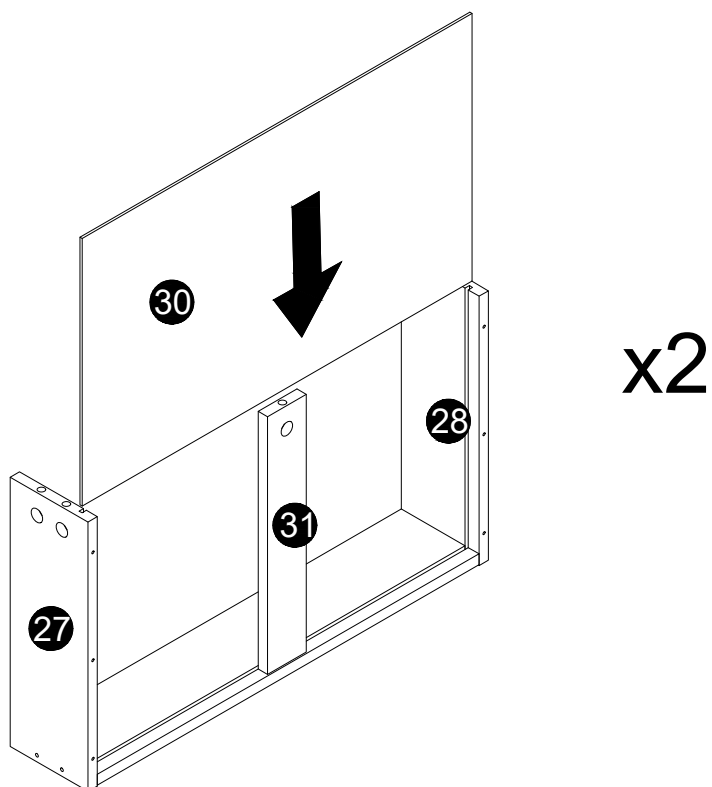


x2

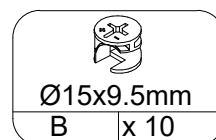
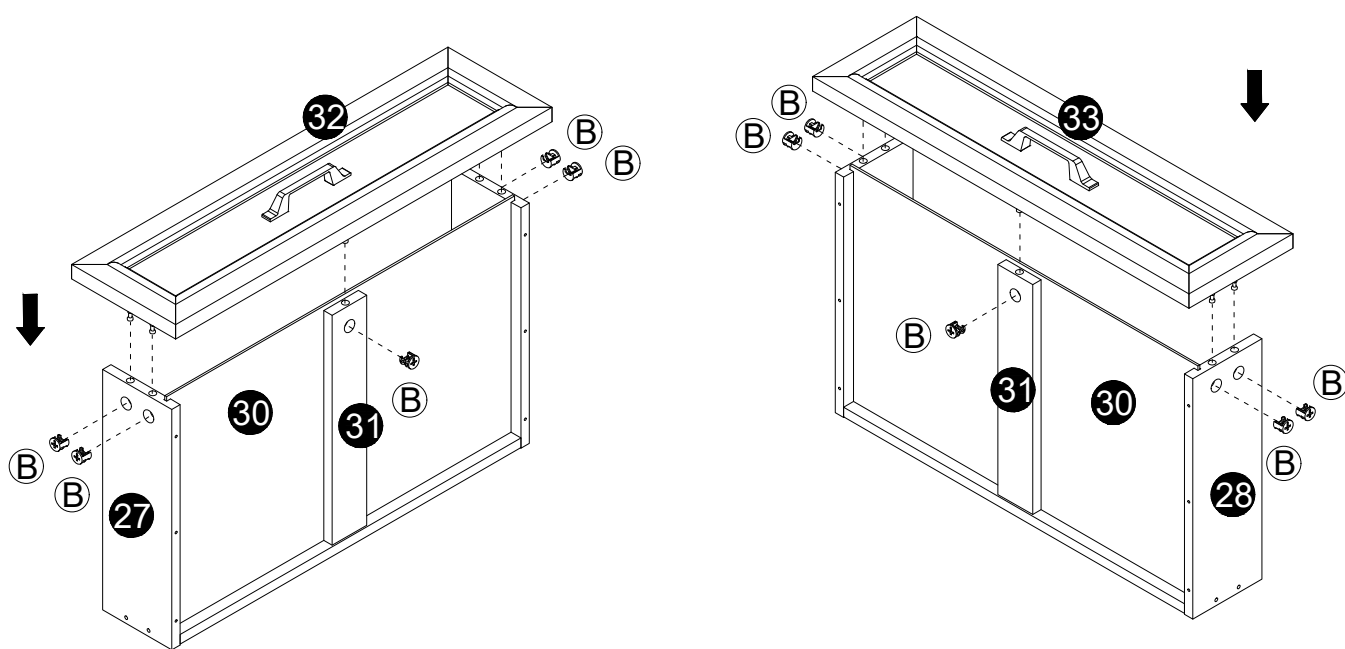

Ø4*38mm
W x 10

INSTALLATION INSTRUCTION

STEP39

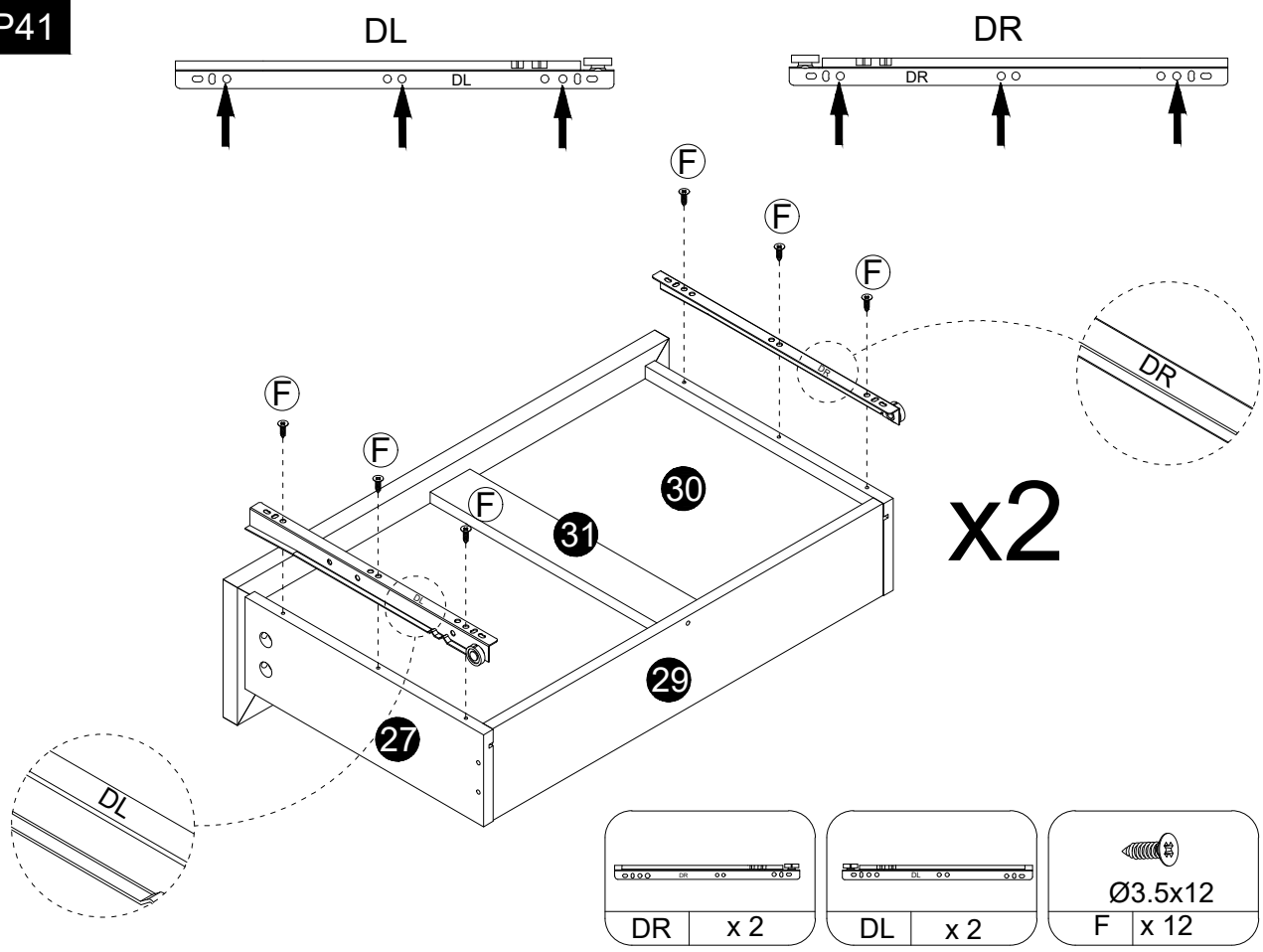


STEP40

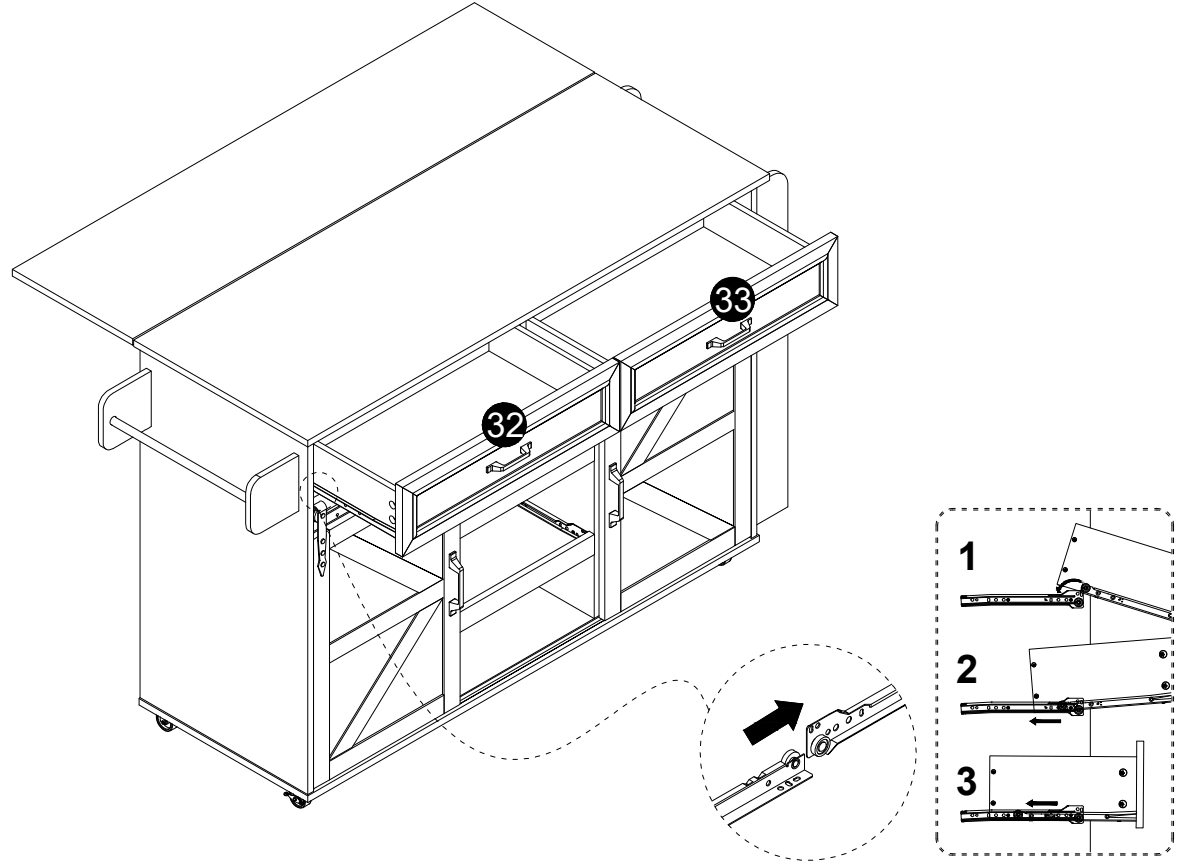


INSTALLATION INSTRUCTION

STEP41

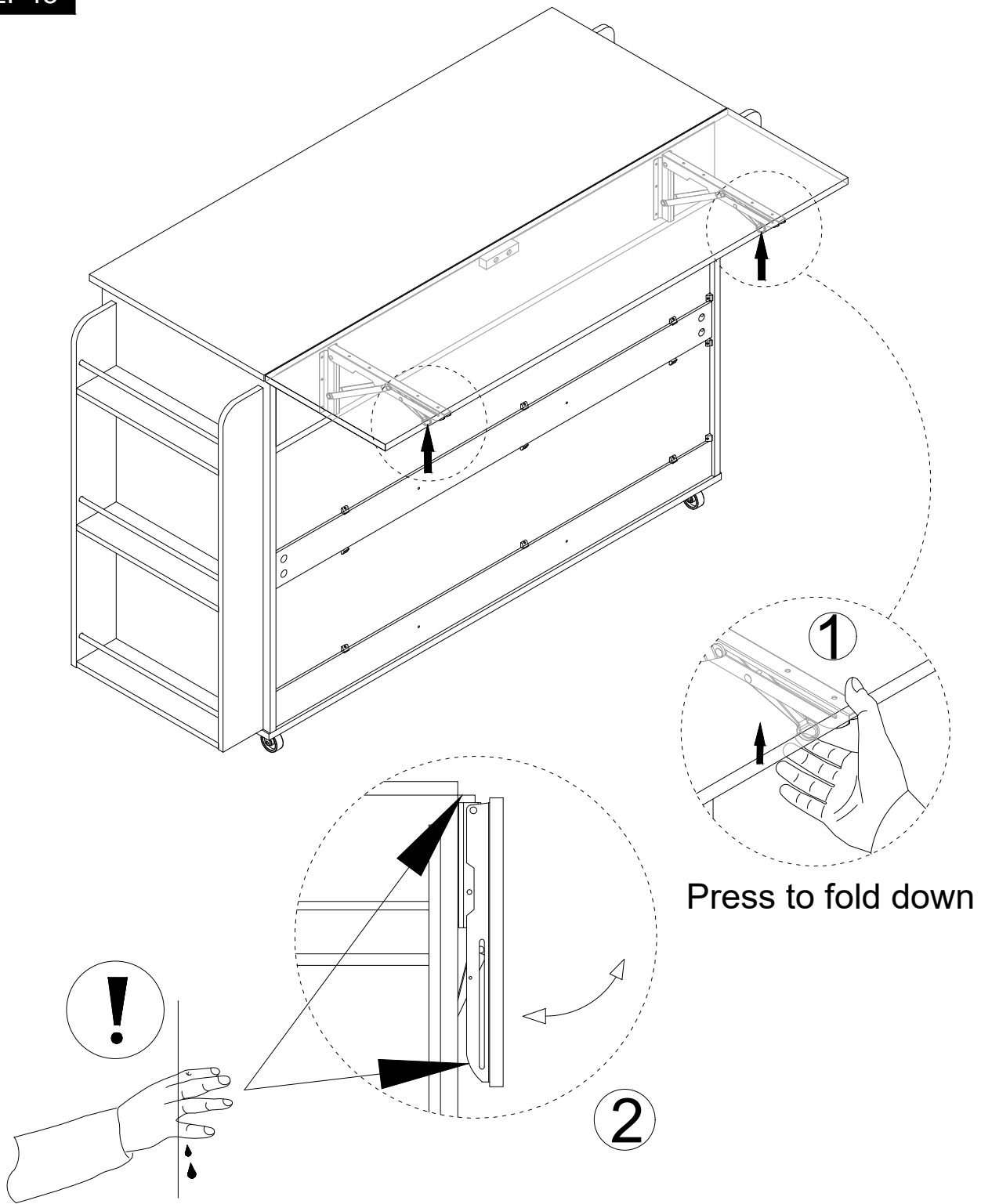


STEP42



INSTALLATION INSTRUCTION

STEP43



Be safe, be careful with your hands.

Finish : The product has 4 wheels, can move.

VIETNAM XINFA WOOD INDUSTRY COMPANY LIMITED
Lot 1G9, 1G10, CN11, Tan Binh Industrial Park, Tan
Binh Town, Bac Tan Uyen District, Binh Duong, Viet Nam
Date of manufacture : 2024/11

Made in Vietnam

