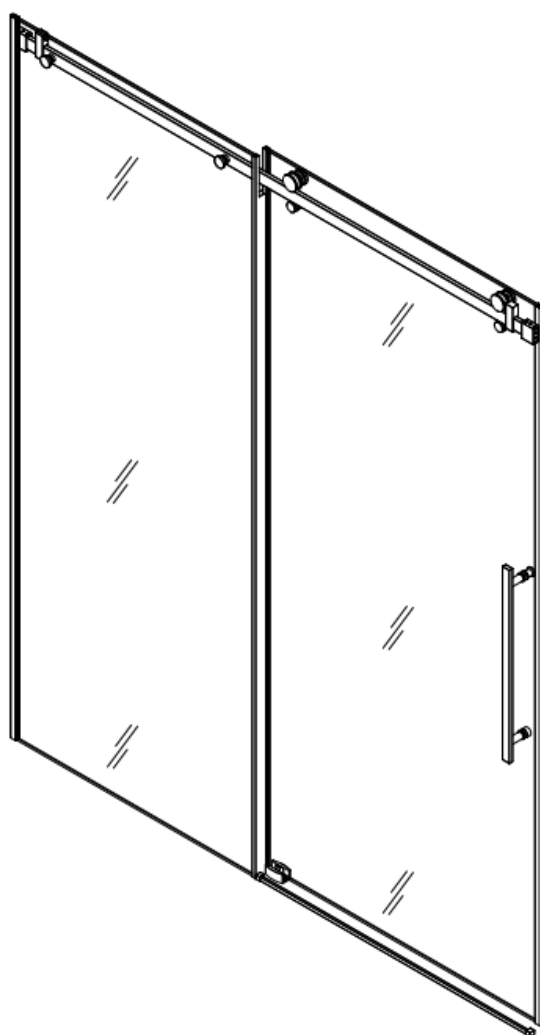


Shower door

Product ID. QVVWY



Scan for Support
support@garvee.com

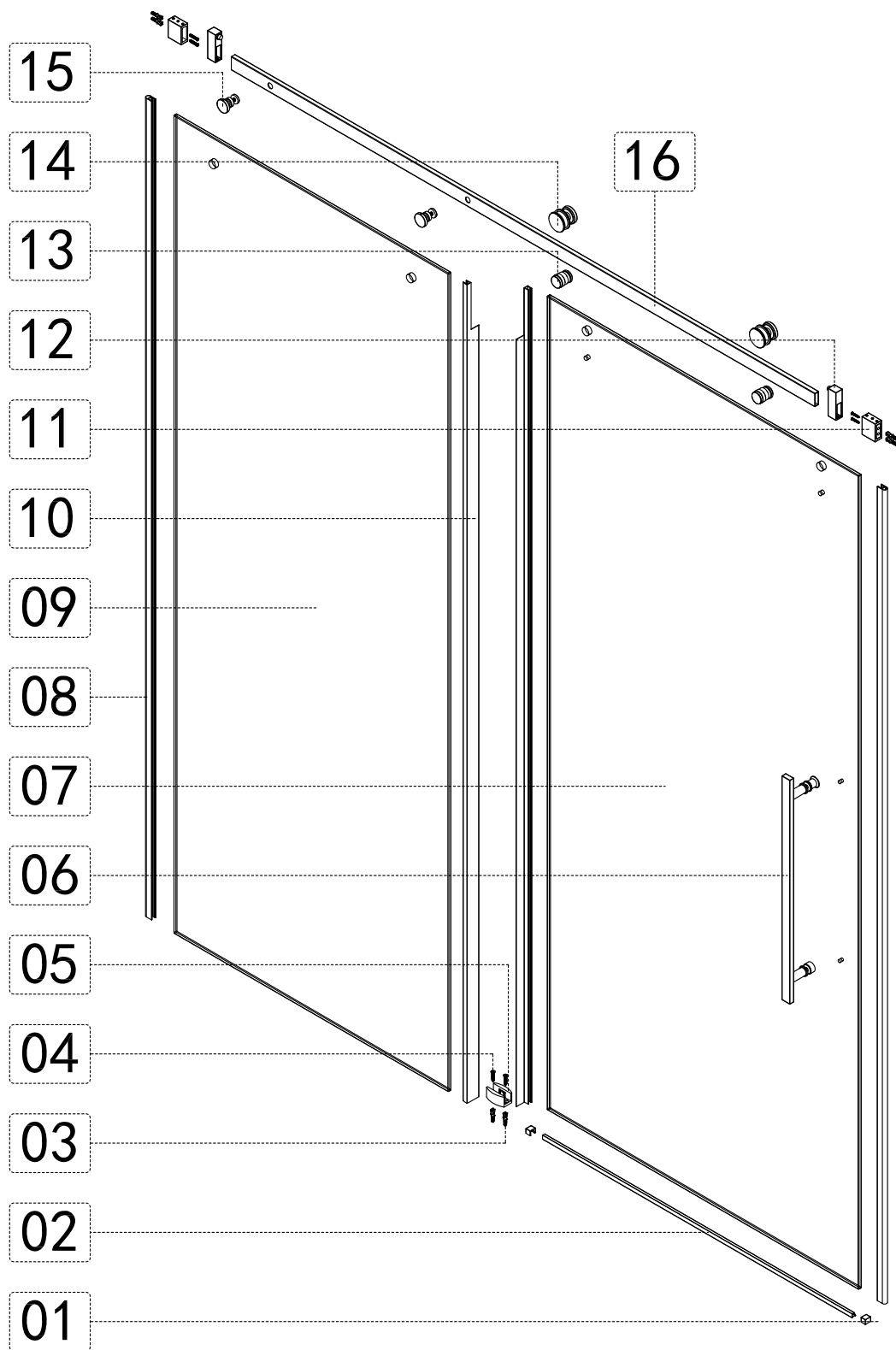


Distributed by
GARVEE.com

Please refer to this manual for installation

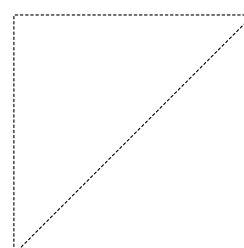
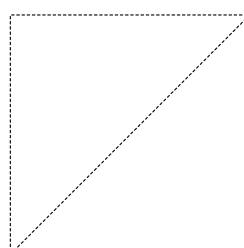
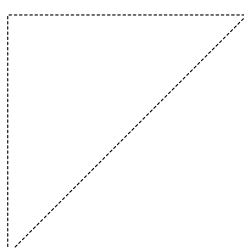
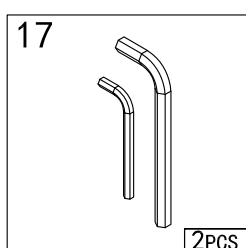
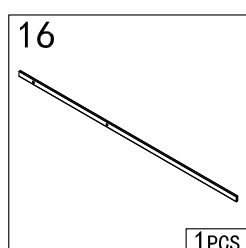
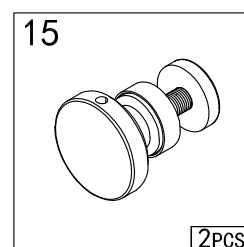
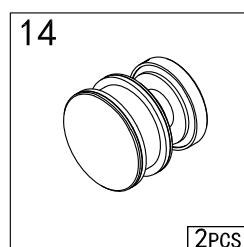
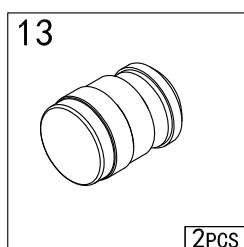
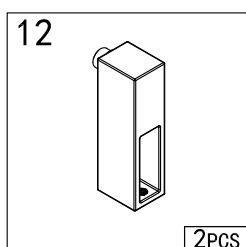
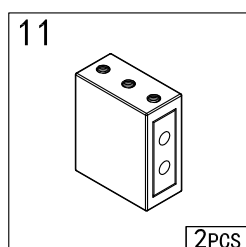
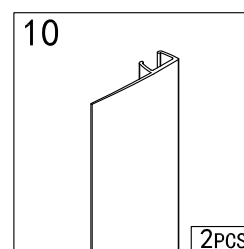
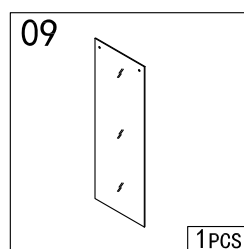
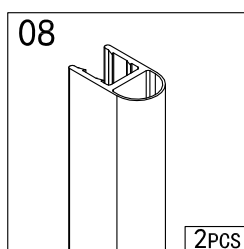
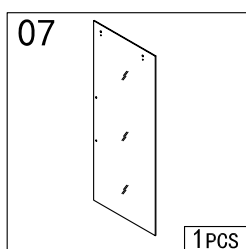
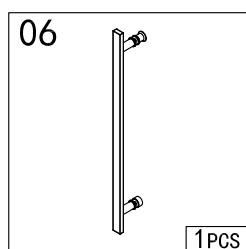
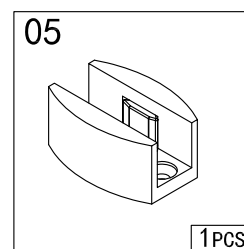
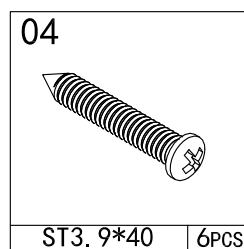
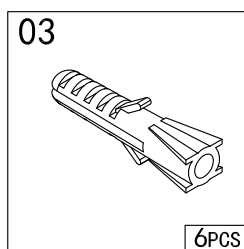
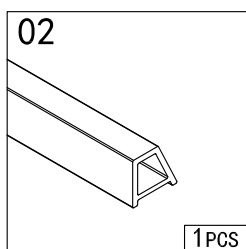
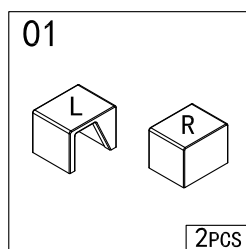
PREPARATION

1. We strongly recommend that at least two people are required to install this product.
2. After opening all boxes and packages, please read this introduction carefully. Check that all required parts are included in the package by marking all components on the Shower Door Components Detail Sheet. Inspect boxes and packages for shipping damage. Feel free to contact us if you have any questions.
Attention: Please double check the glass corners and four edges of the two glass doors to ensure that all glass is in perfect condition and without any breakage. Do not attempt to install a shower door if the glass corners are broken.
3. Before installation, make sure the installation surface is leveled and solid, and can support the total weight of the unit. Also, make sure the walls are at right angles. Irregular mounting surface levels or improper angle of side walls will cause serious problems during installation. Note that some adjustments and drilling may be required during installation.
4. Protect all major surfaces of the product during installation. Never place glasses directly on tile floors. Leave the corner protector in place until it needs to be removed. Always use a piece of wood or cardboard to protect the bottom edges and corners of the glass before and during installation.

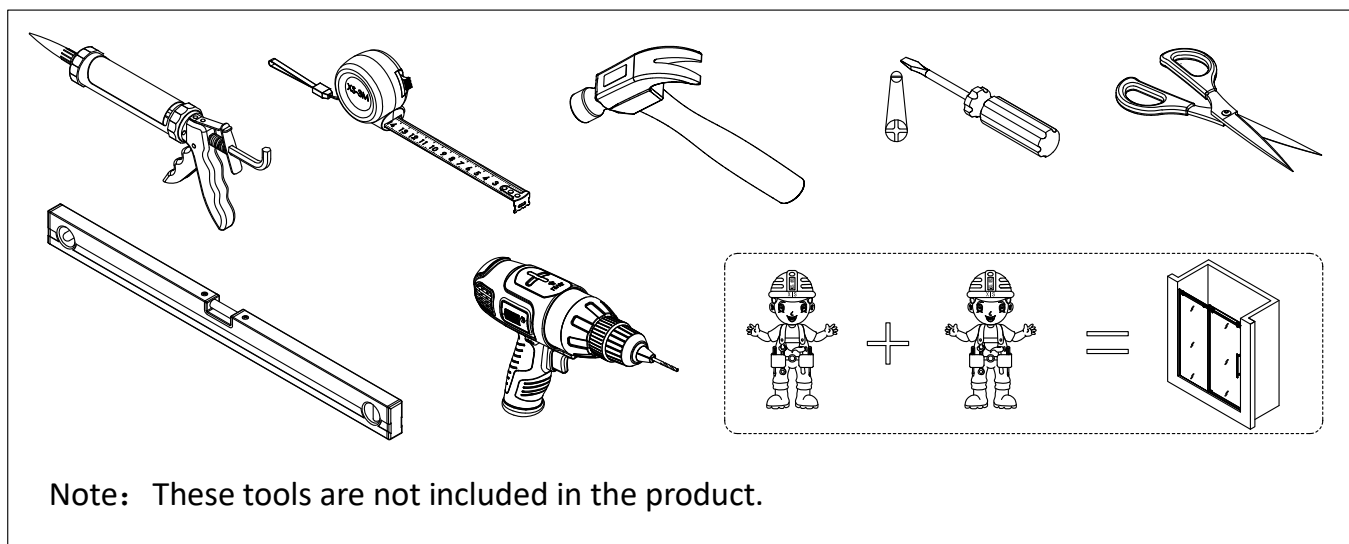


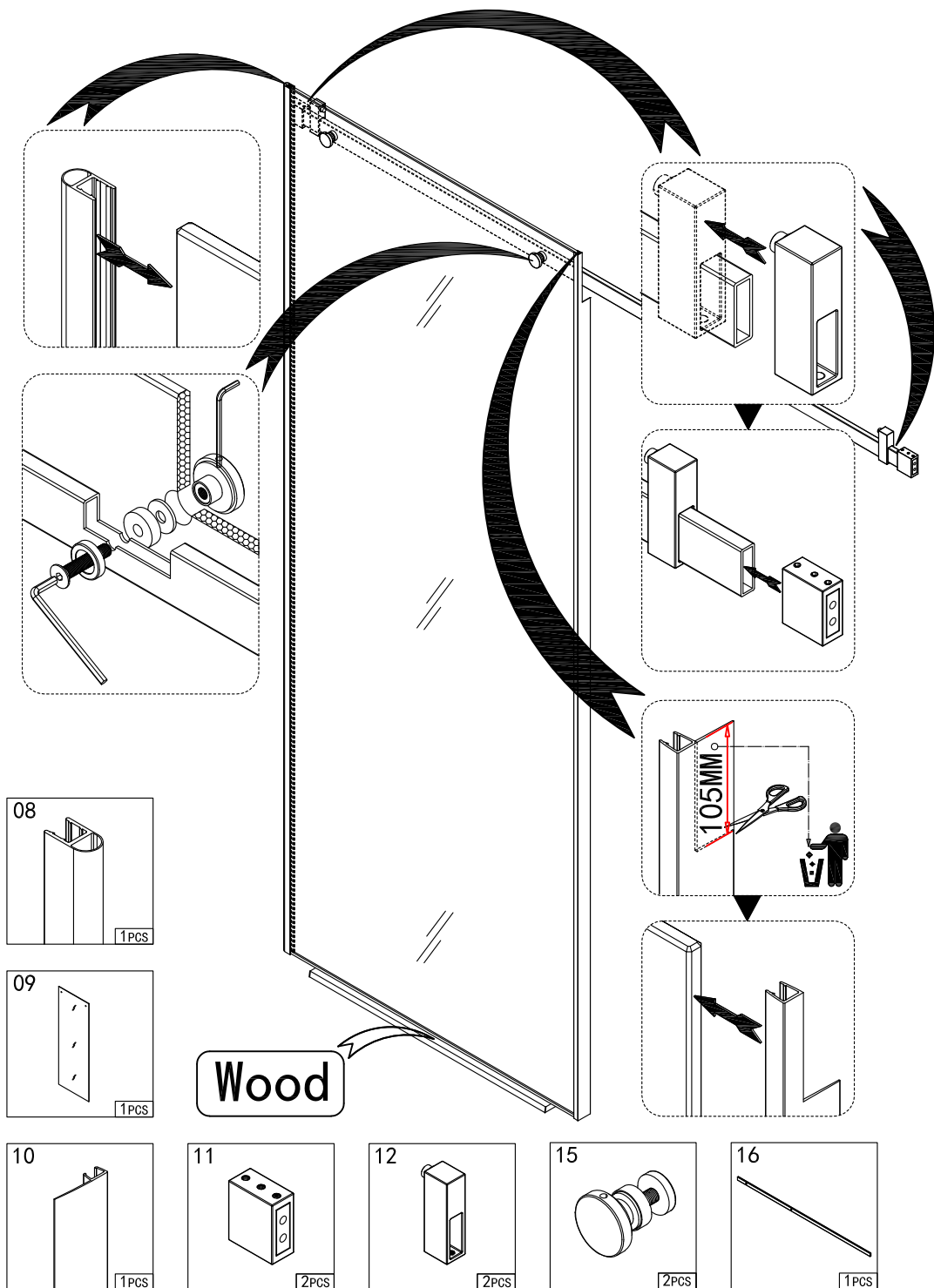
No.	Description	Qty		No.	Description	Qty
01	Aluminum Cover(optional)	2		09	Stationary Glass	1
02	anti-water aluminum	1		10	Side Anti-Water Strip	2
03	Wall Anchor	6		11	Guide Rail Bracket	2
04	Screw St3.9*40	6		12	Glass Door Stopper	2
05	Guide Block	1		13	Safety Pin	2
06	Handle	1		14	Roller	2
07	Glass Door	1		15	Glass Bracket	2
08	Bumper Strip	1		16	Upper Guide Rail	1

All accessories



TOOLS REQUIRED

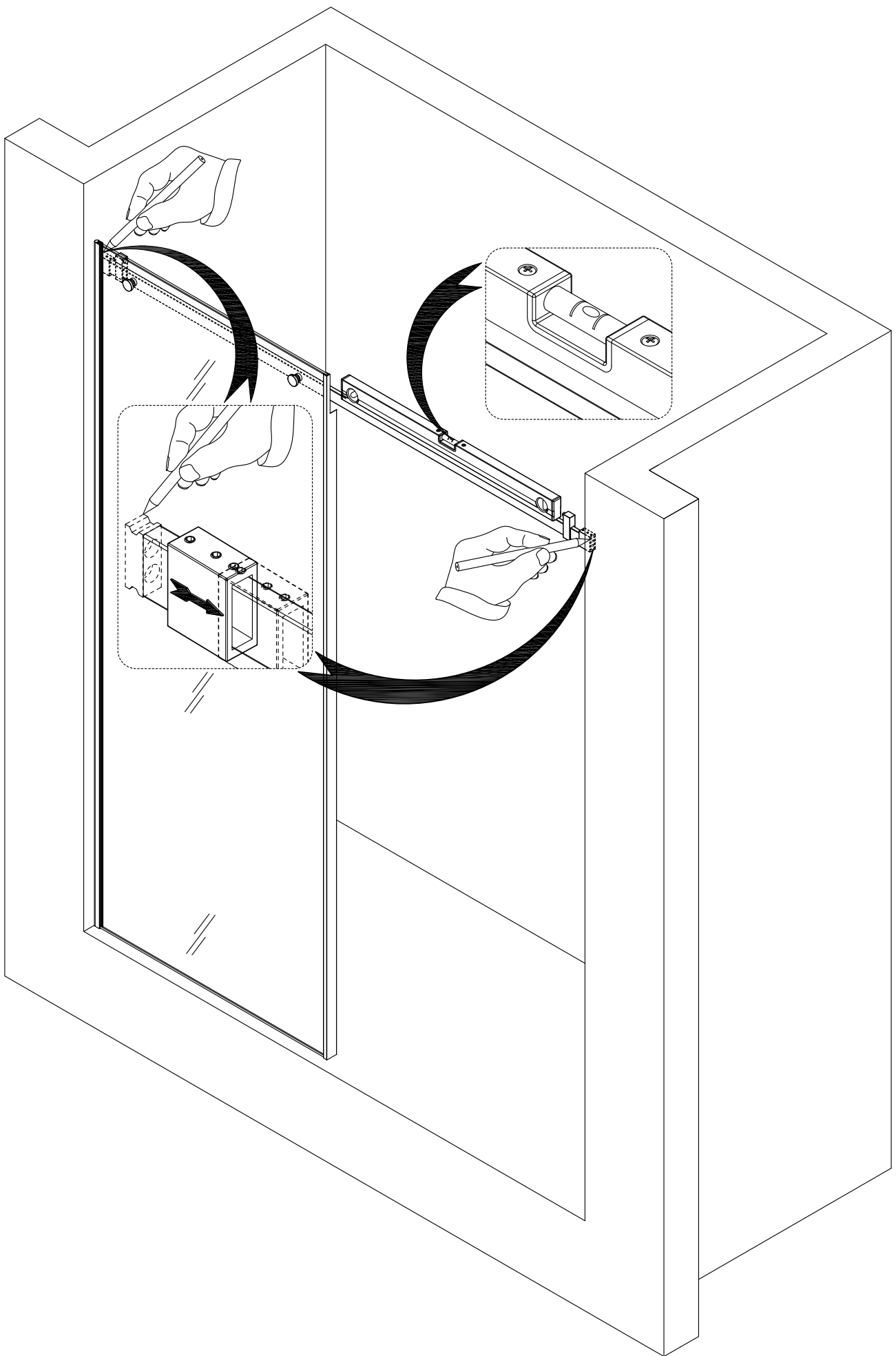




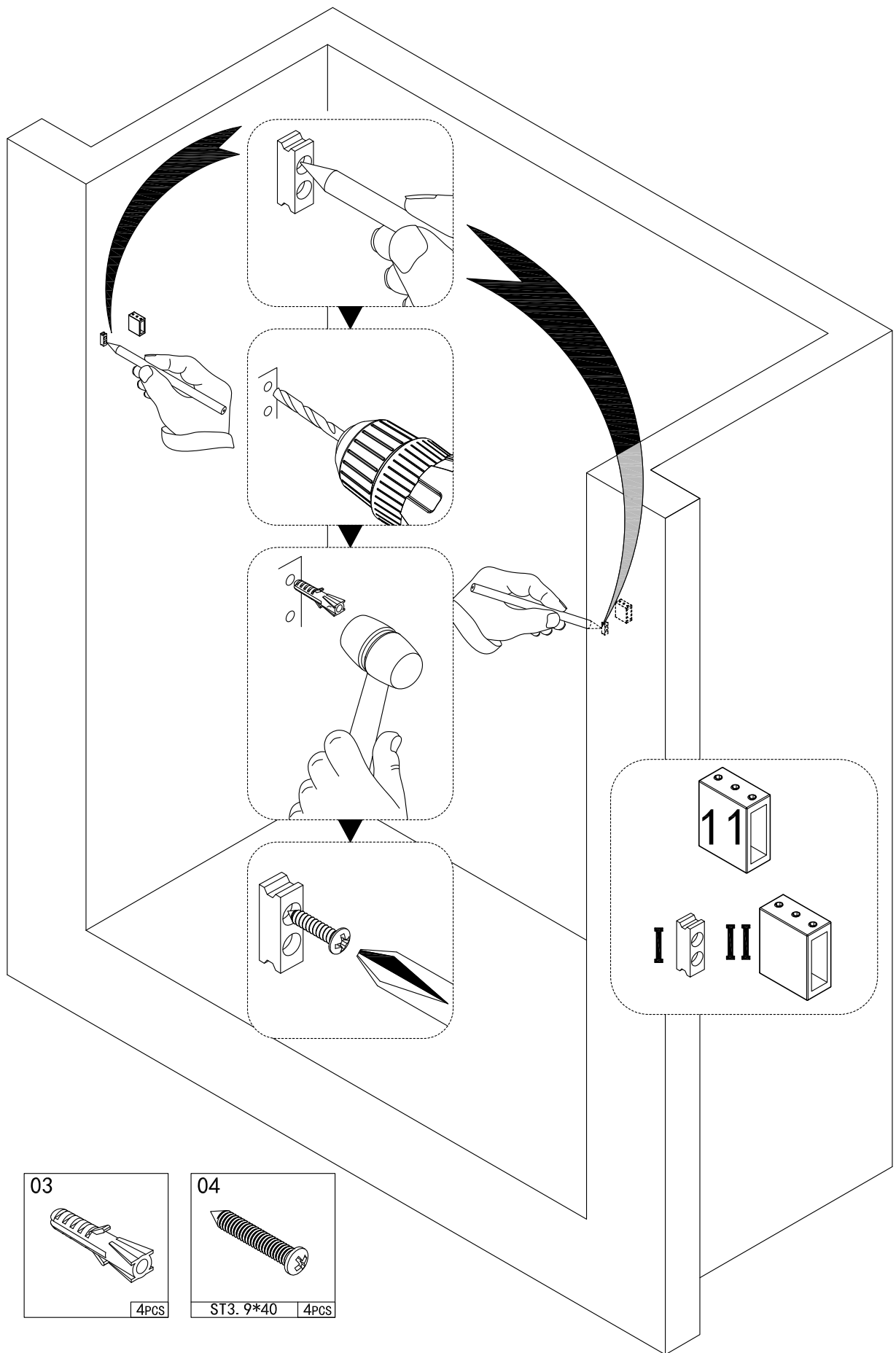
1. Installation (09) of Stationary Glass: Align the glass hole at the top of the stationary glass with the opening of the (16) stainless steel guide rail and tighten the glass bracket (15) .
2. Insert the (12) glass door stopper into the (16) rail.
3. Slide the guide rail bracket (11) into both ends of the (16) stainless steel guide rail.
4. Attach the (08) bumper strip to the wall side of the stationary glass; shorten the water barrier side of the (10) side anti-water strip by 105mm (4.13 inch) before attaching it to the stationary glass, ensuring the water barrier side faces the inside of the shower room.

ATTENTION:

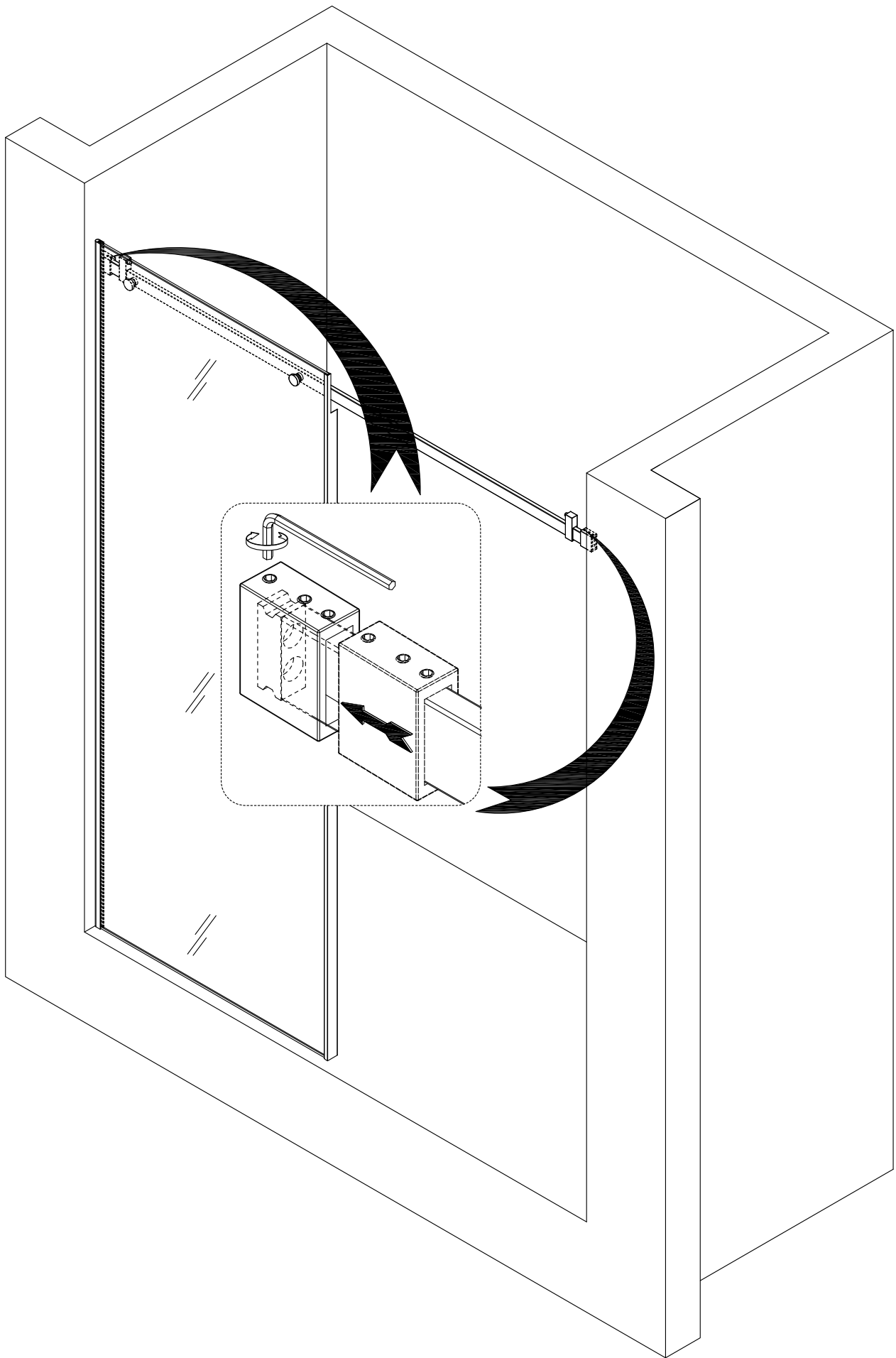
Never set your glass down directly onto a tile or concrete floor. Always use a piece of wood or cardboard and leave the corner pads on the glass until it becomes necessary to remove them to protect the bottom edge and the corners of the glass from breakage.



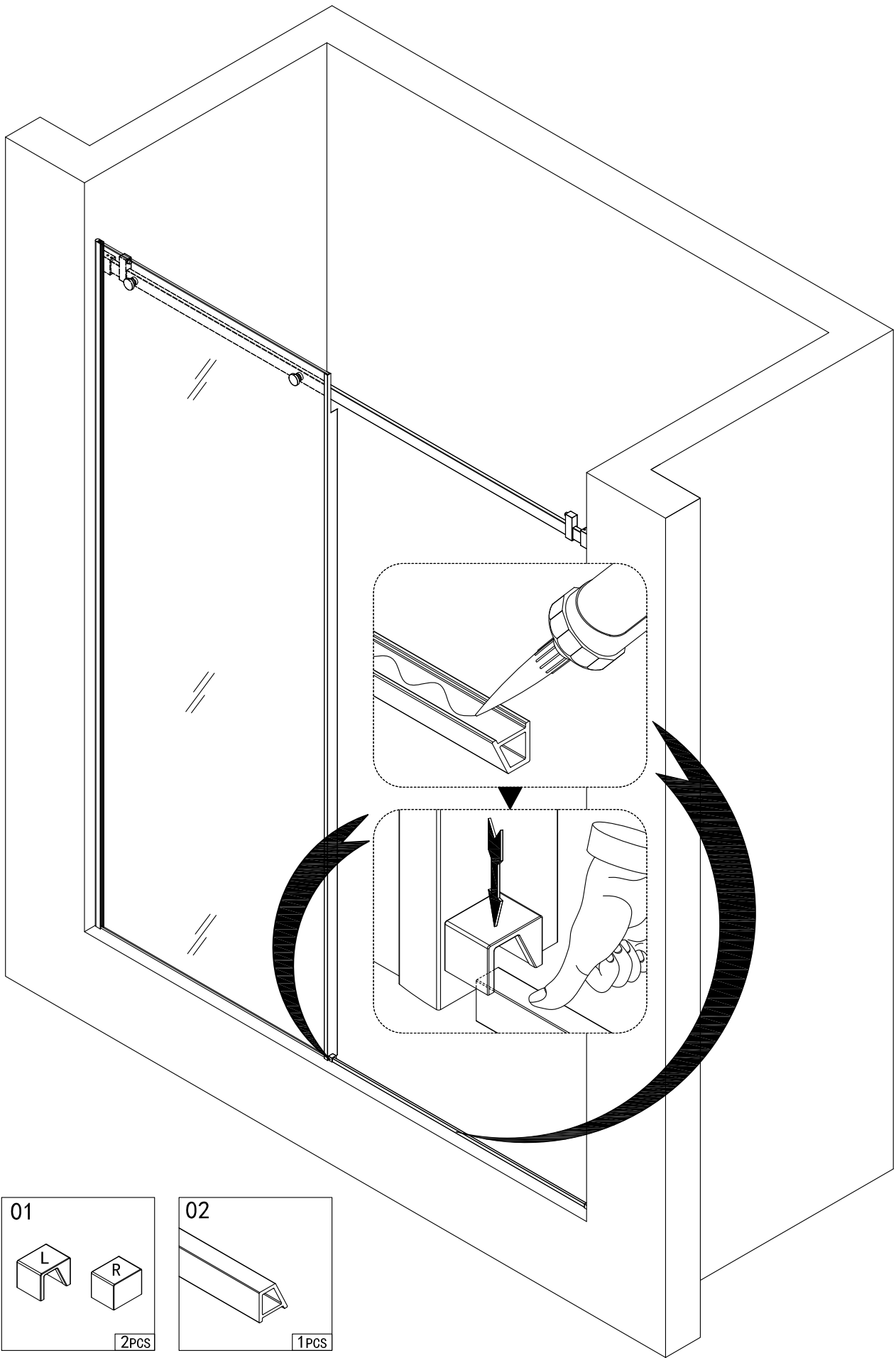
Place the assembled stationary glass (09) into the shower area, leveling it with a spirit level. Once positioned correctly, use a marker to draw a positioning circle along the guide rail bracket (11).



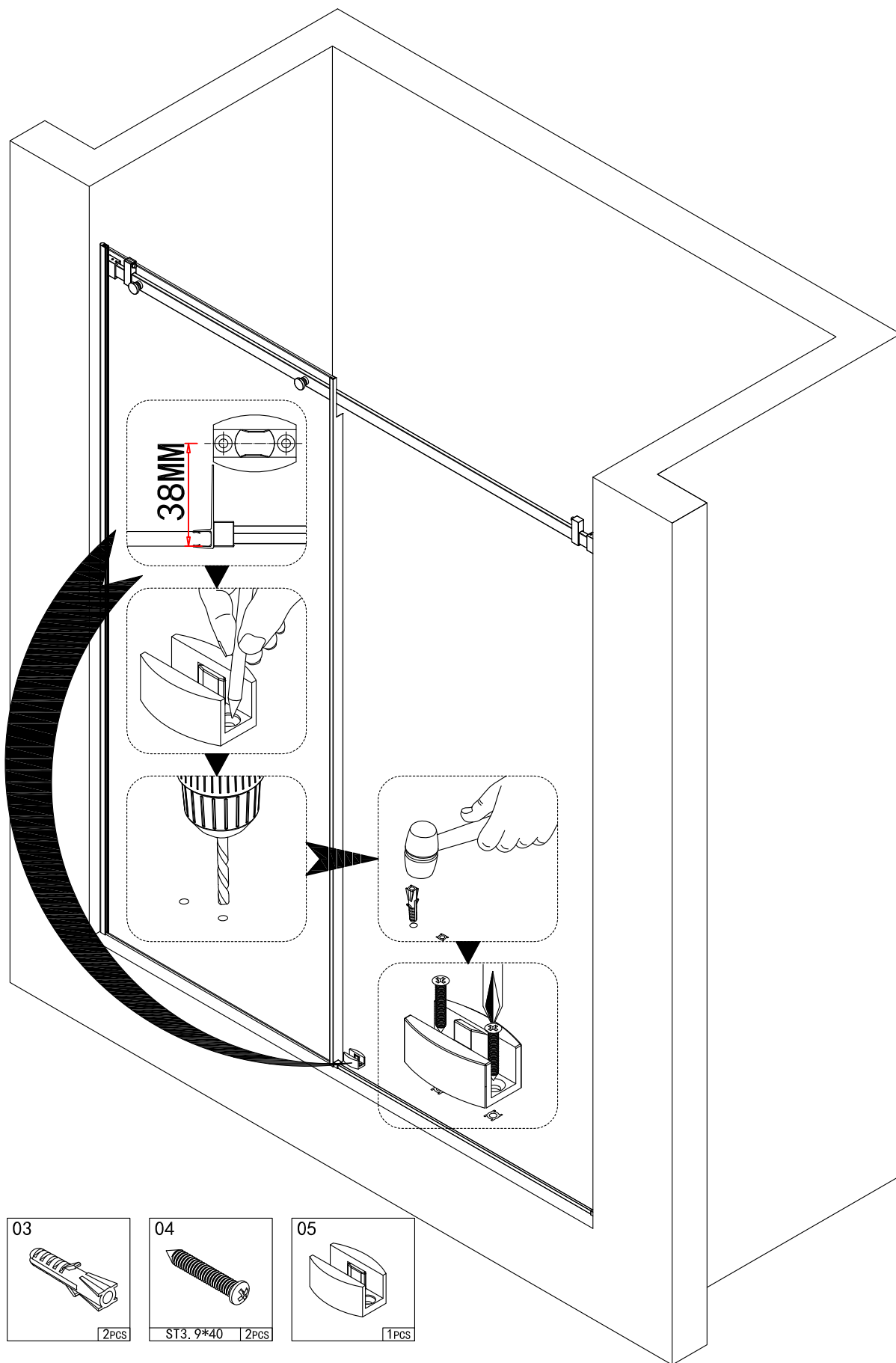
After confirming the installation location, remove the stationary glass (09). Place part 1 of the guide rail bracket (11) within the positioning circle and use a marker to indicate the drilling points. After drilling holes in the wall with a hammer drill, insert the wall anchors (03), and secure part 1 of the guide rail bracket to the wall using screws (04).



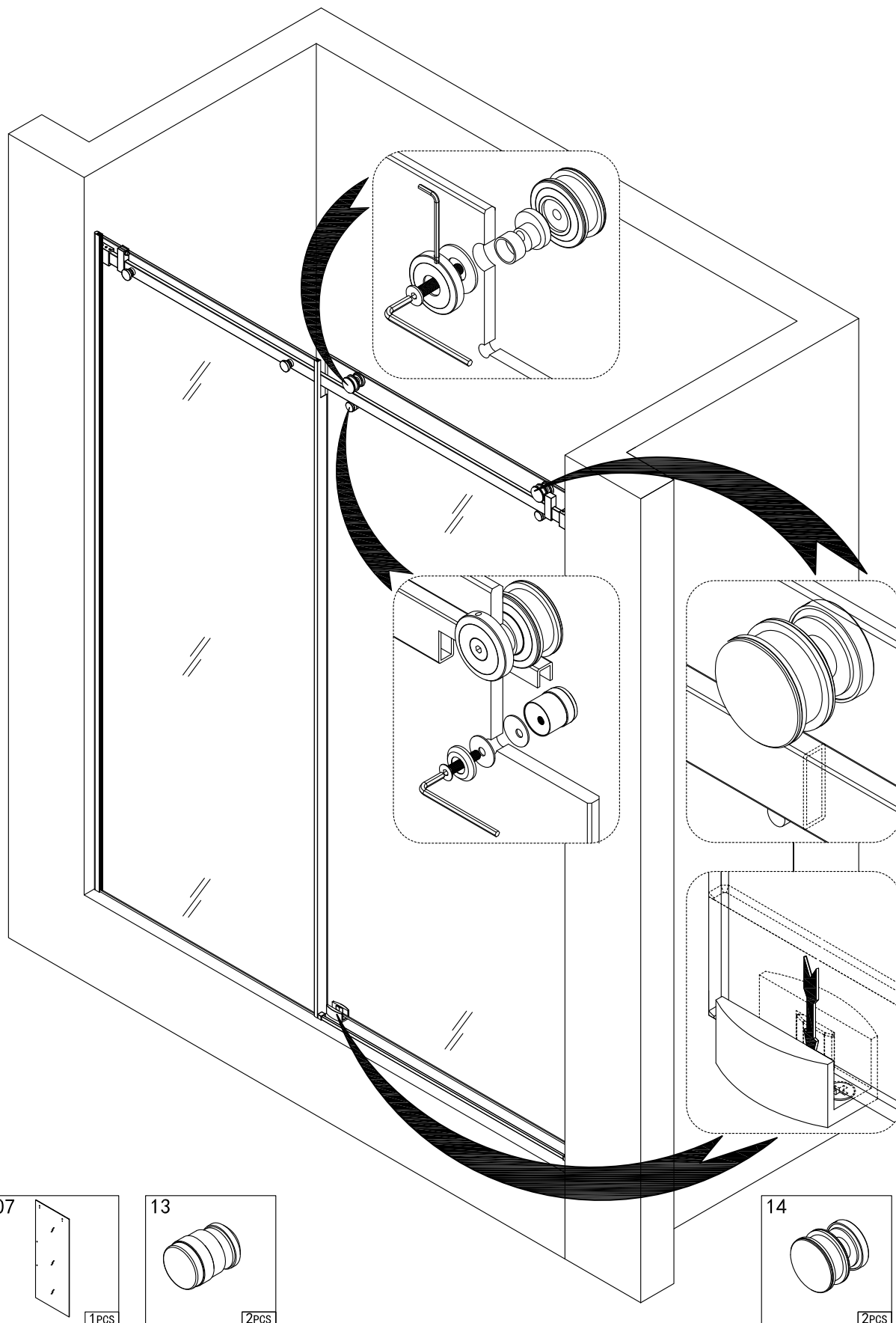
Position the assembled stationary glass (09) in the designated area. Move part 2 of the guide rail bracket (11) to part 1 and tighten it. Use an Allen wrench to further secure the fixing screws.



After applying glass adhesive to the back of the anti-water aluminum (02), place it between the wall and the stationary glass (09) on the floor, then snap on the aluminum cover (01).

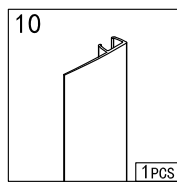
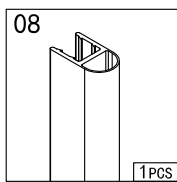
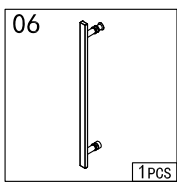
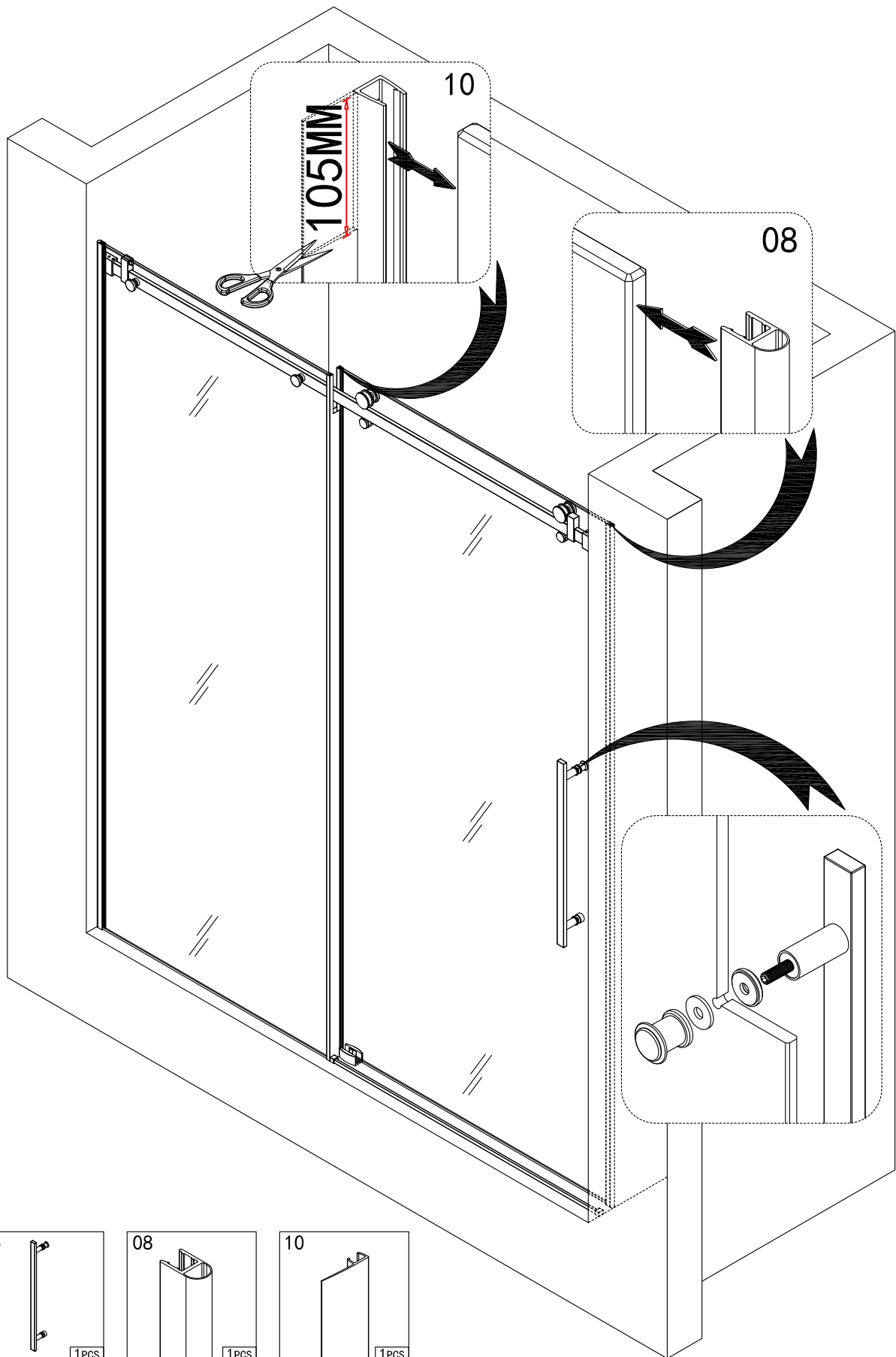


1. Position the center hole of the guide block (05) at 38mm (1.5 inch) from the stationary glass (09) to confirm the location.
2. Mark the positioning point with a marker.
3. After drilling holes, insert the wall anchors (03).
4. Then, secure the guide block (05) to the ground with screws (04).

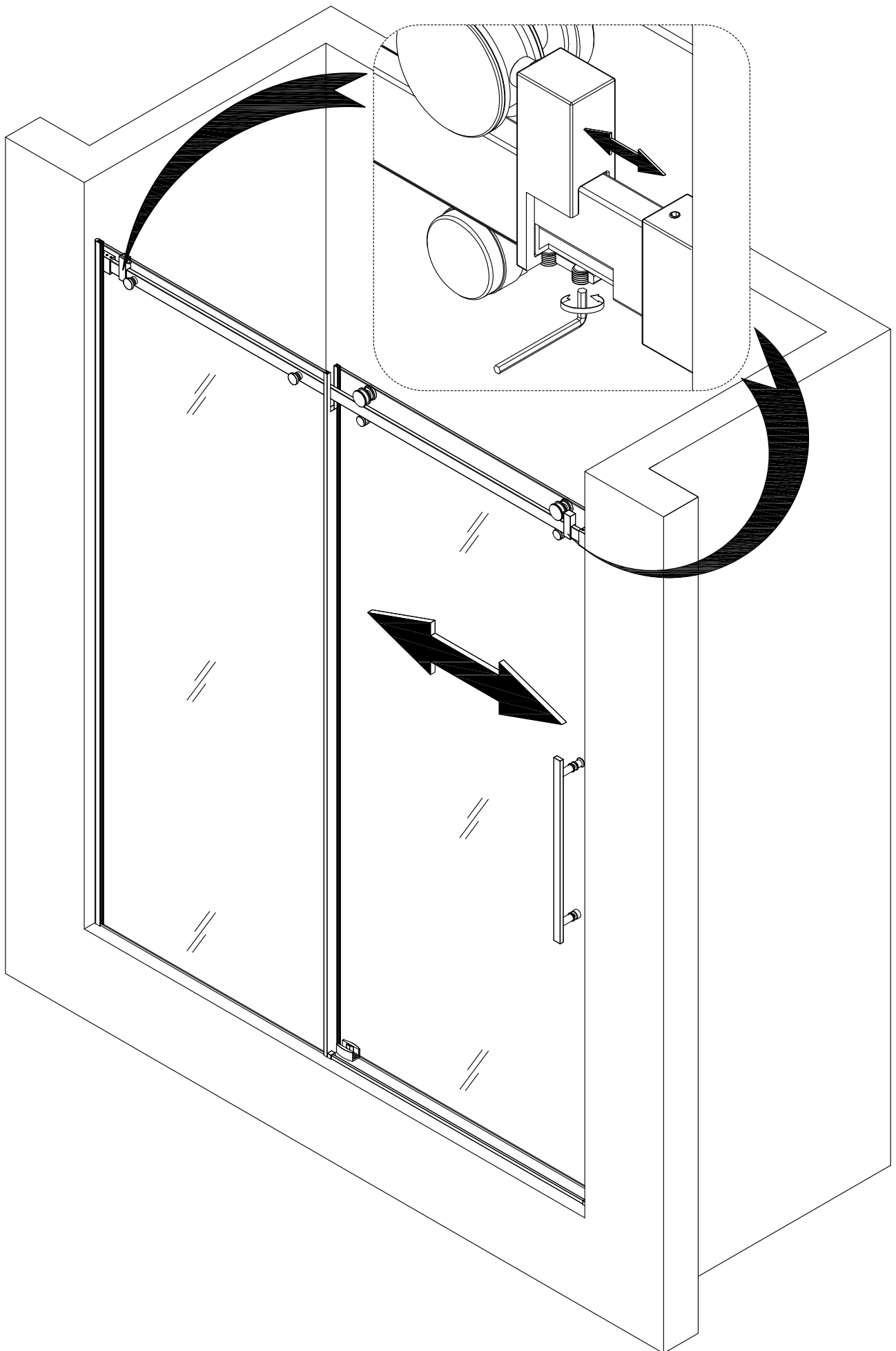


1. Remove the screws from the roller (14) and install the roller (14) onto the glass door (07), securing it tightly.
2. Remove the safety pin (13) and install it in the hole beneath the roller, tightening it with an Allen wrench.

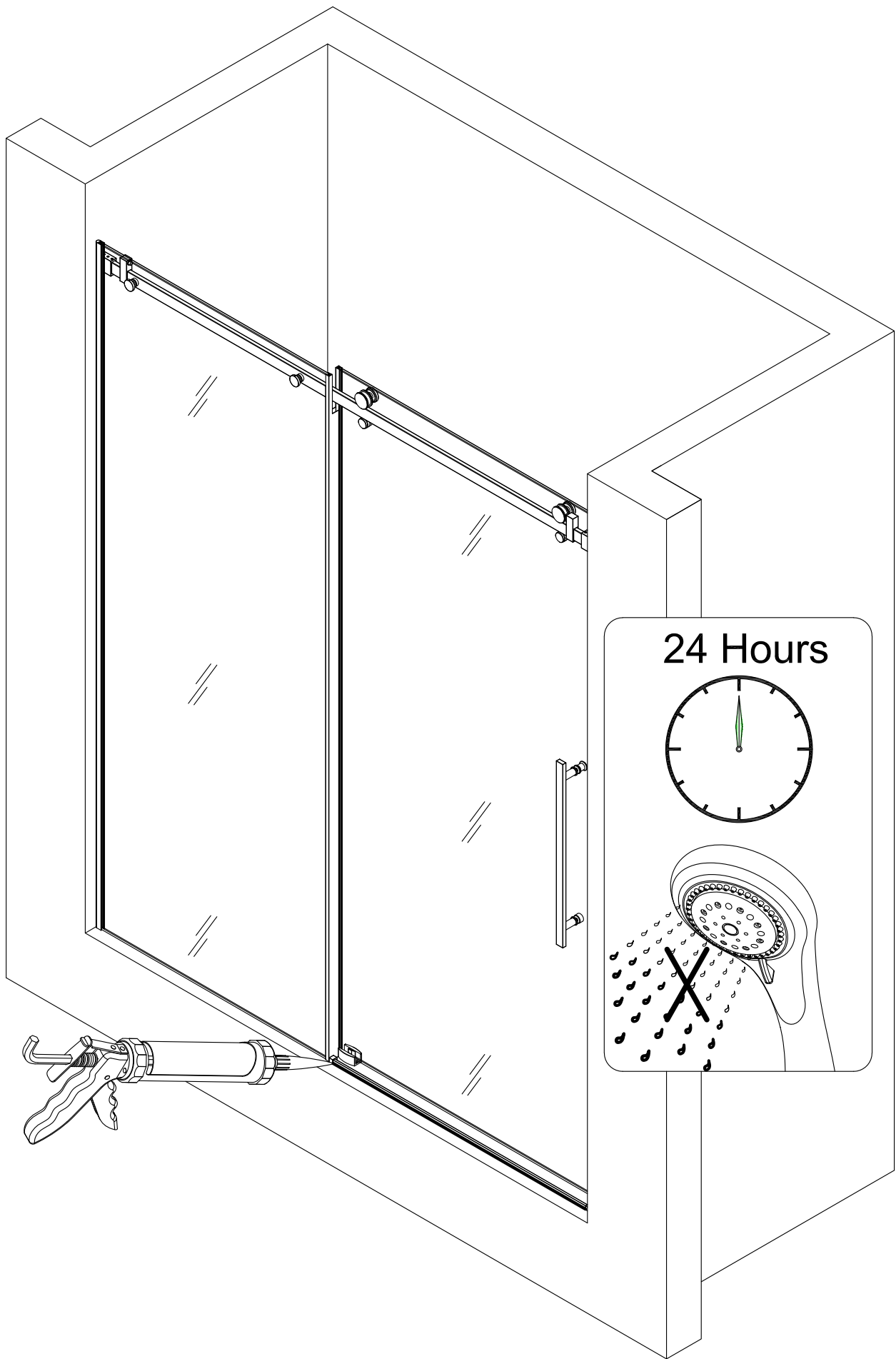
Note: The lower end of the glass door (07) must be inserted into the guide block (05).



1. Install the bumper strip (08) onto the glass door (07) as shown in the figure.
2. shorten the water barrier side of the side anti-water strip (10) by 105mm (4.13 inch) before attaching it to the glass door.
3. Install the handle (06) onto the glass door (07), ensuring that there are spacers on both sides to protect the glass.



Adjust the glass door stopper (12) to a suitable position and secure it with an Allen wrench.



Apply glass adhesive at the joint between the lower end of the stationary glass and the anti-water aluminum along the floor.

MUST ALLOW SILICONE TO DRY FOR 24 HOURS BEFORE STARTING USING THE SHOWER