

ASSEMBLY & INSTRUCTION

- **Twin**

Size: 75"L×38"W

[CLICK HERE](#)

- **Twin XL**

Size: 80"L×38"W

[CLICK HERE](#)

- **Full**

Size: 75"L×54"W

[CLICK HERE](#)

- **Queen**

Size: 80"L×60"W

[CLICK HERE](#)

- **King**

Size: 80"L×76"W

[CLICK HERE](#)

- **Cal King**

Size: 80"L×76"W

[CLICK HERE](#)

BOX SPRING INSTALLATION MANUAL

Applicable Size: Twin/Twin XL

If you have any questions about the product, please don't hesitate to contact us .You can reach us through your order. Thanks for your support!

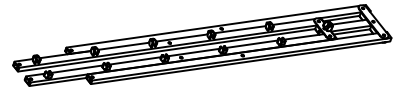
Components-Parts



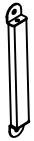
② × 4PCS



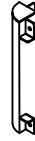
④ × 1PCS



⑤ × 2PCS



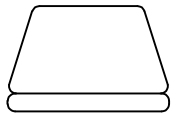
⑥ × 6PCS



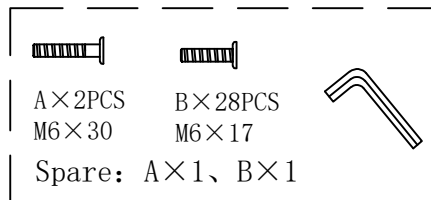
⑦ × 4PCS



⑧ × 10PCS

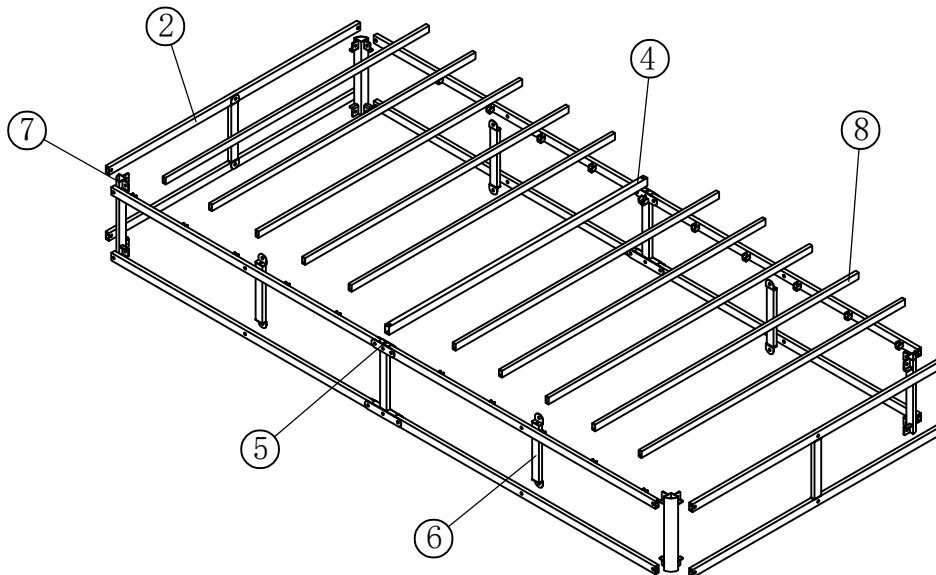


⑨ × 1PCS Bed cover

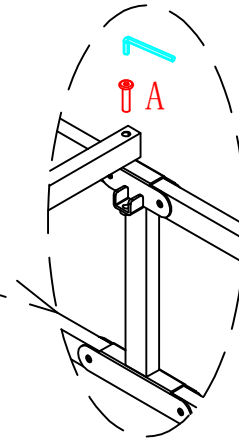
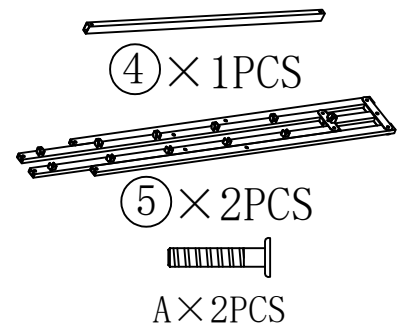
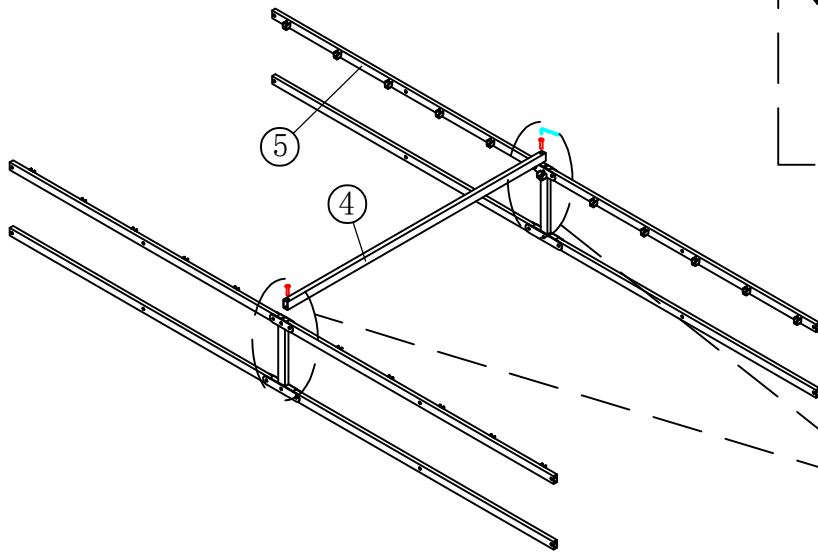


NOTE:The M6*30 for the bolt indicates a diameter of 6 mm (0.236 in) and a length of 30 mm (1.18in).

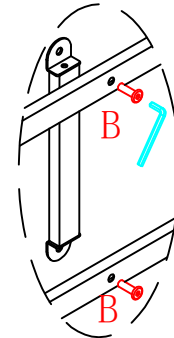
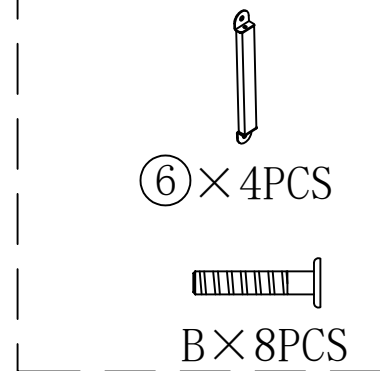
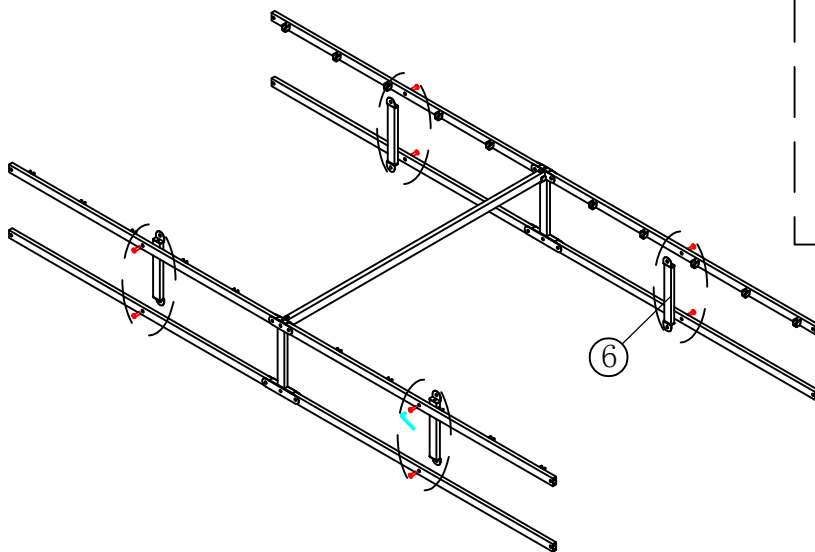
Component Distribution - Easy Assembly in 7 Steps



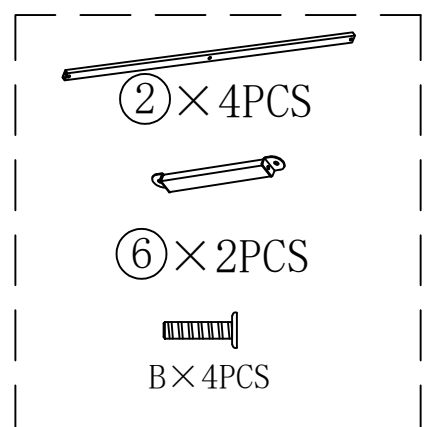
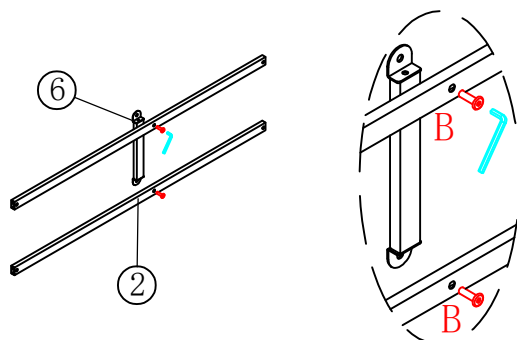
Step1: Take out the part ④ and ⑤ screw it as shown



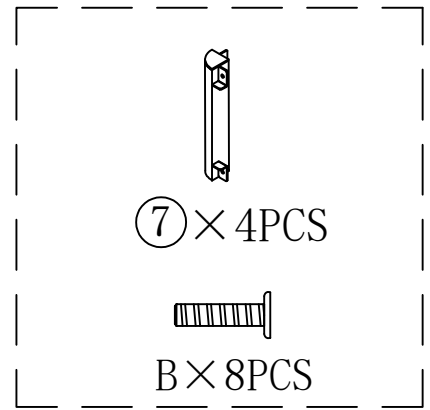
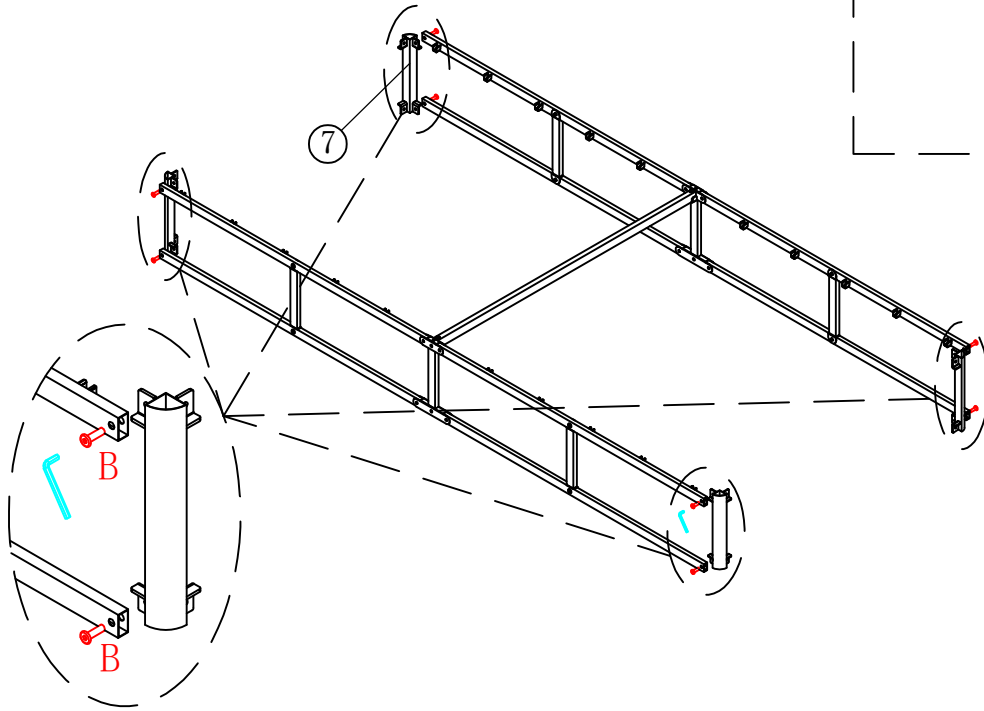
Step2: Screw part ⑥ to part ⑤ as shown



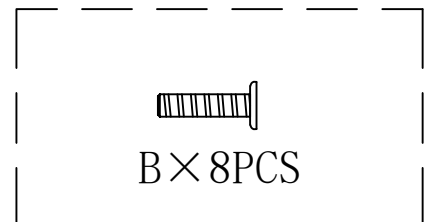
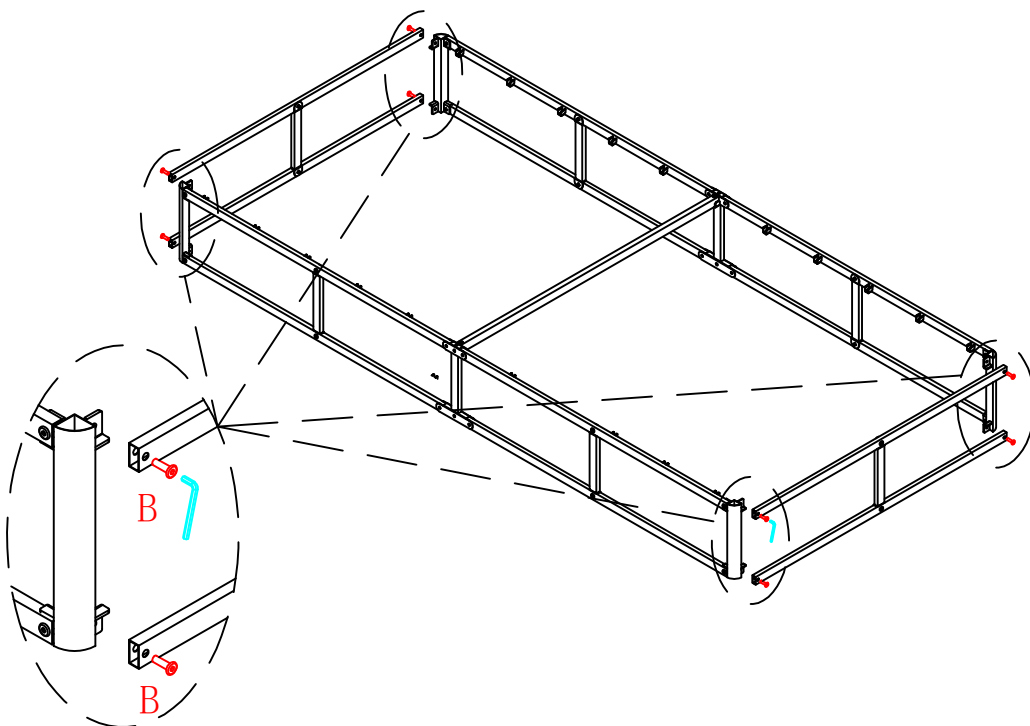
Step3: Screw part ⑥ to part ② as shown



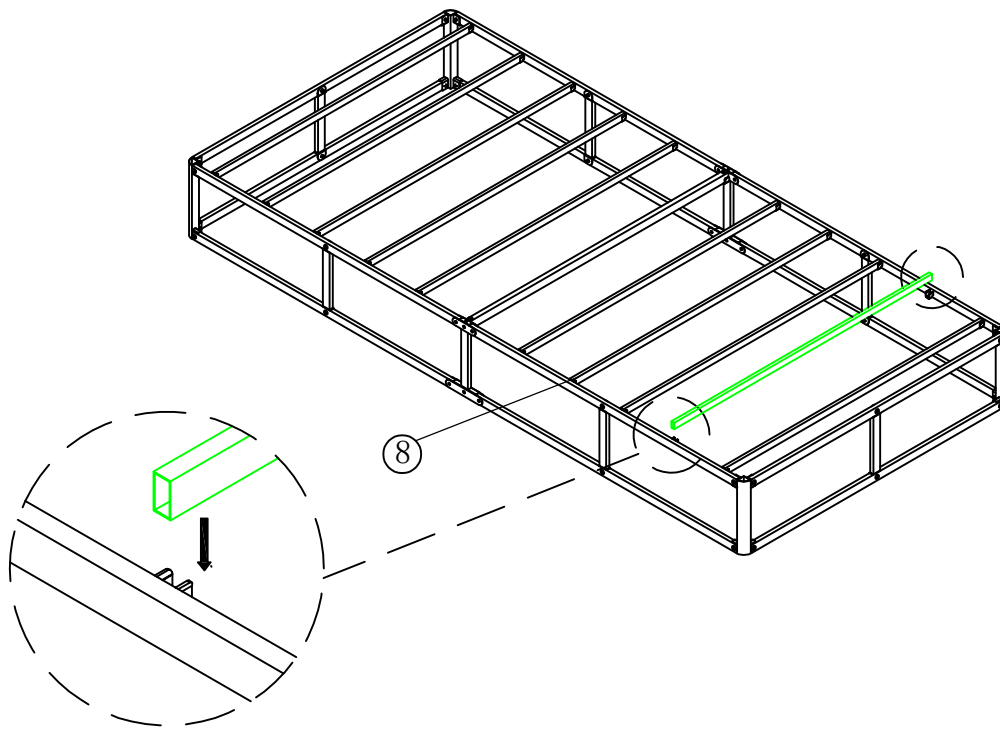
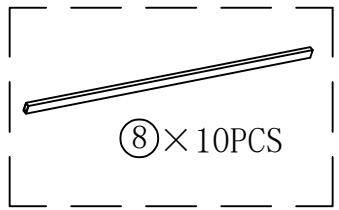
Step4: Joint part ⑦ with screws
as shown



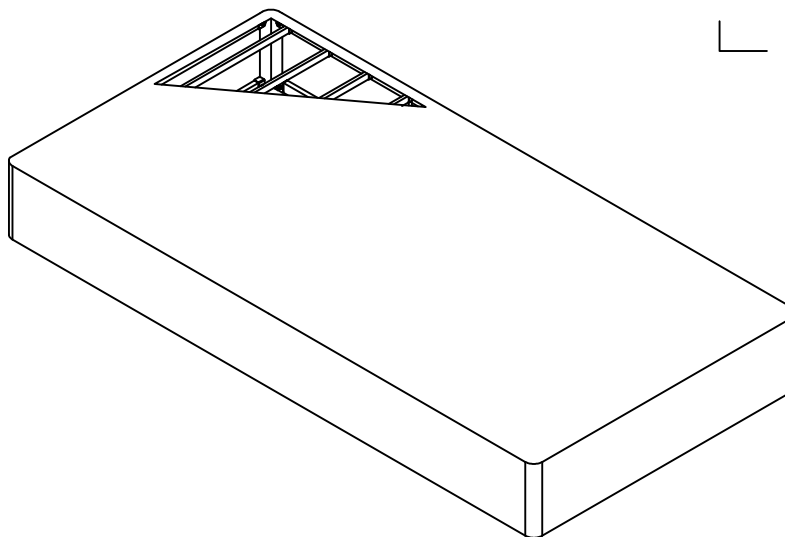
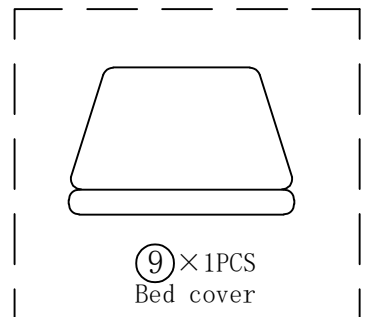
Step5: Joint parts ② with screws
as shown



Step6:Insert slats



Step7:Put on the fabric cover-D, completed



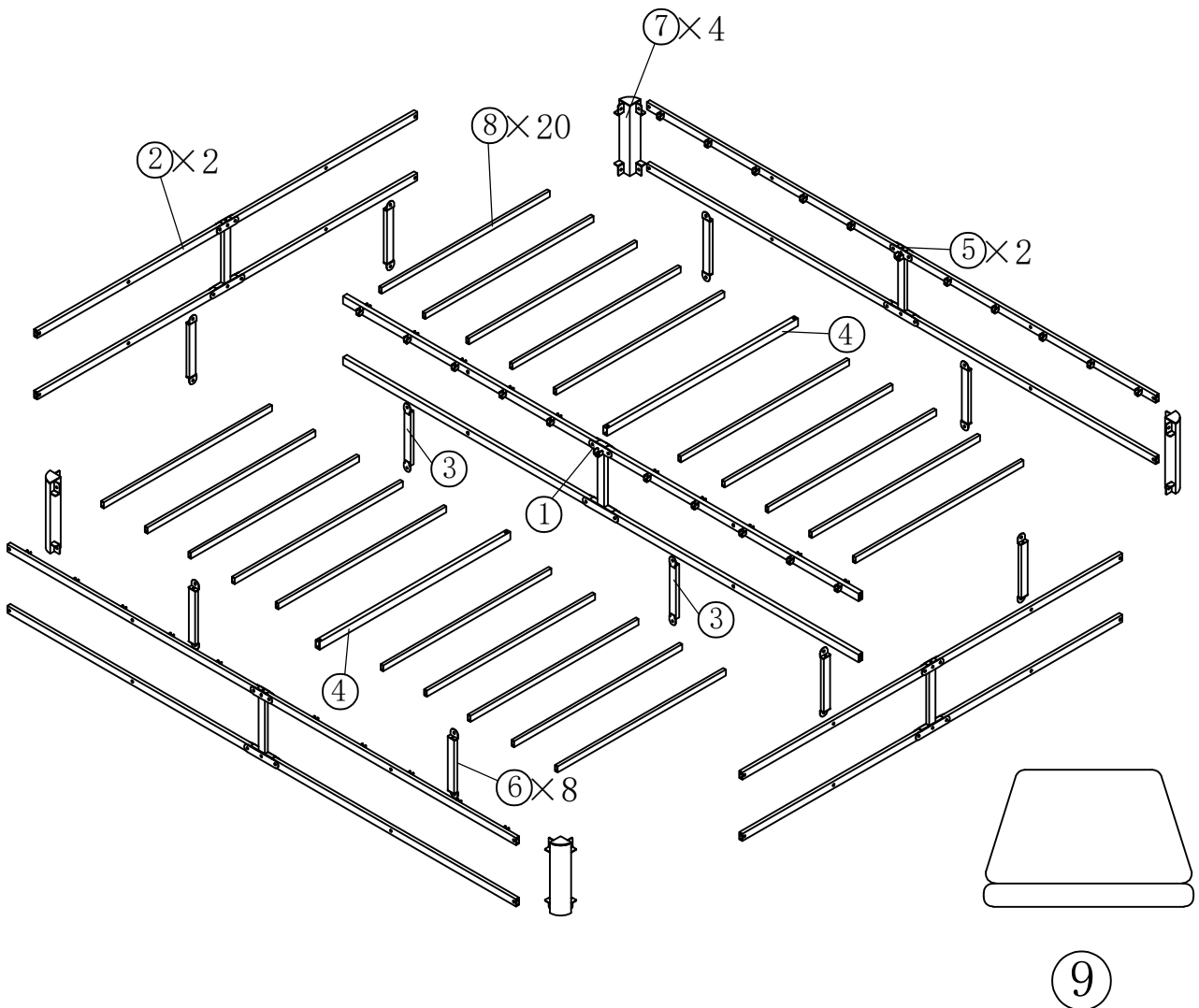
In the last step, please make sure all the screws are tightened.




BOX SPRING INSTALLATION MANUAL

Applicable to Series Full/Queen/King/Cali King Size


Be Sure to check all packing material carefully, Identify all parts and compare with the list below. If you experience any issues, please contact us for after-sales support through the order page in your Amazon account.

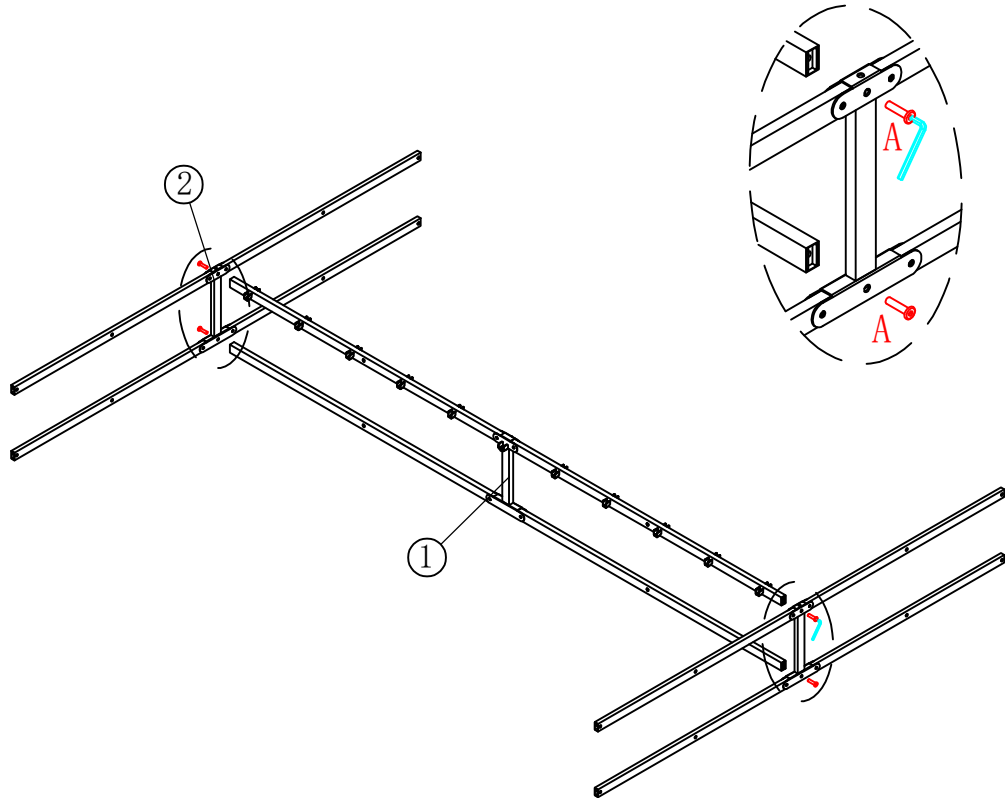
THE PART LAYOUT




A	M6×30		8PCS
B	M6×19		36PCS
C	ALLEN KEY		1PCS

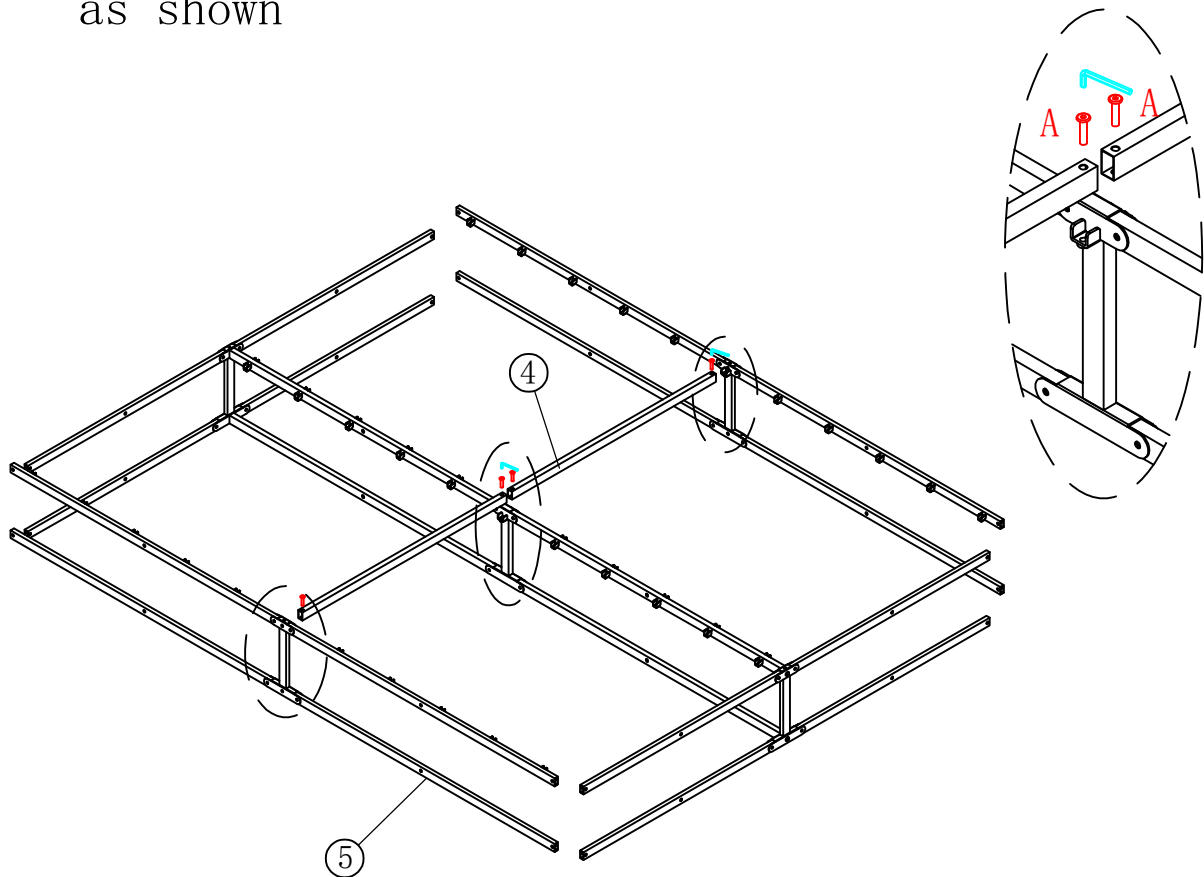
Step1: Take out the part ① and ② screw it as shown

A	M6×30		4PCS
---	-------	--	------



Step2: Screw part ④ and part ⑤ as shown

A	M6×30		4PCS
---	-------	---	------



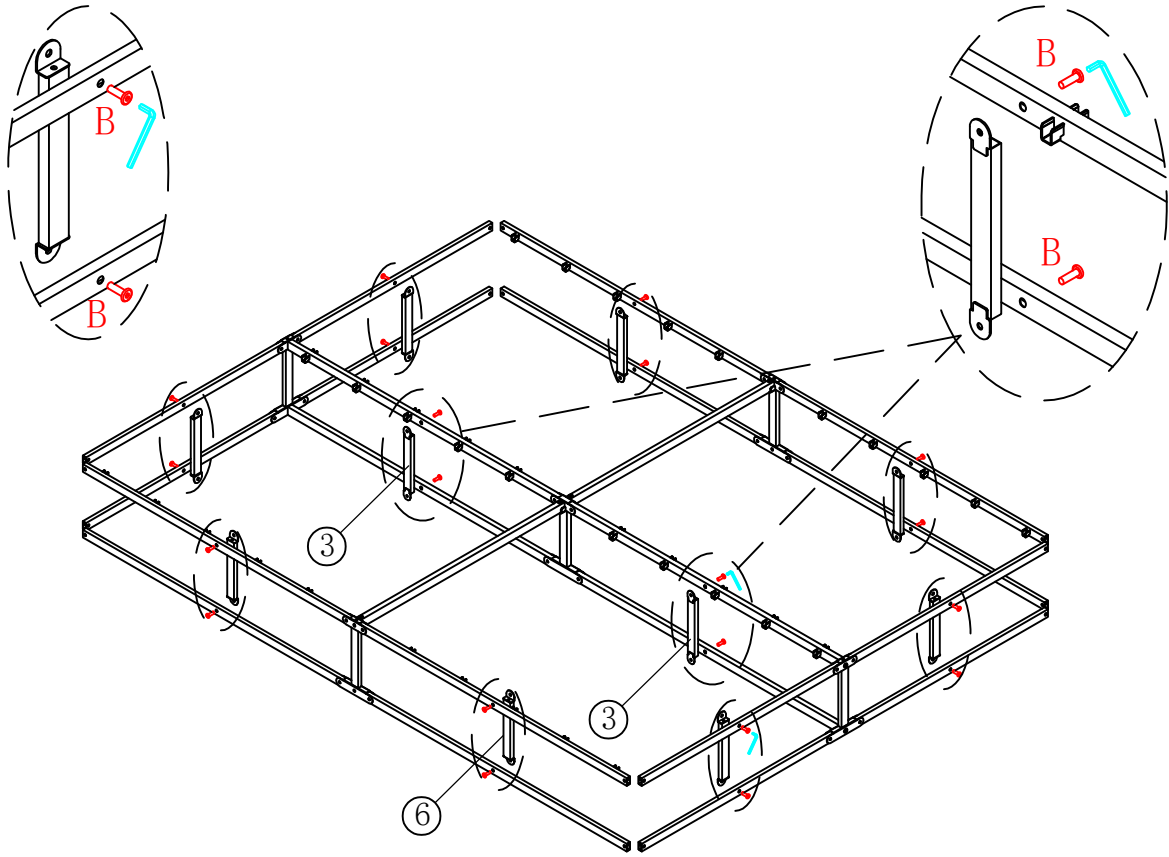
Step3: Joint parts ③ and part ⑥
with screws as shown

B

M6×19



20PCS



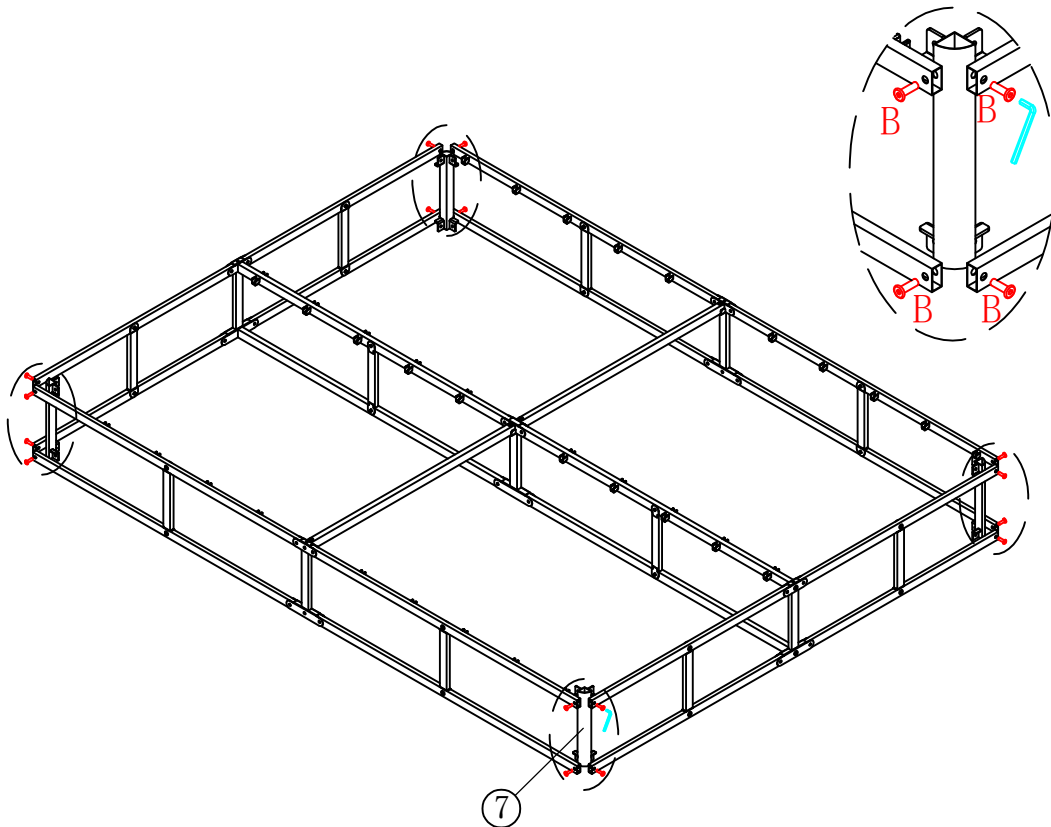
Step4: Joint parts ⑦ with screws
as shown

B

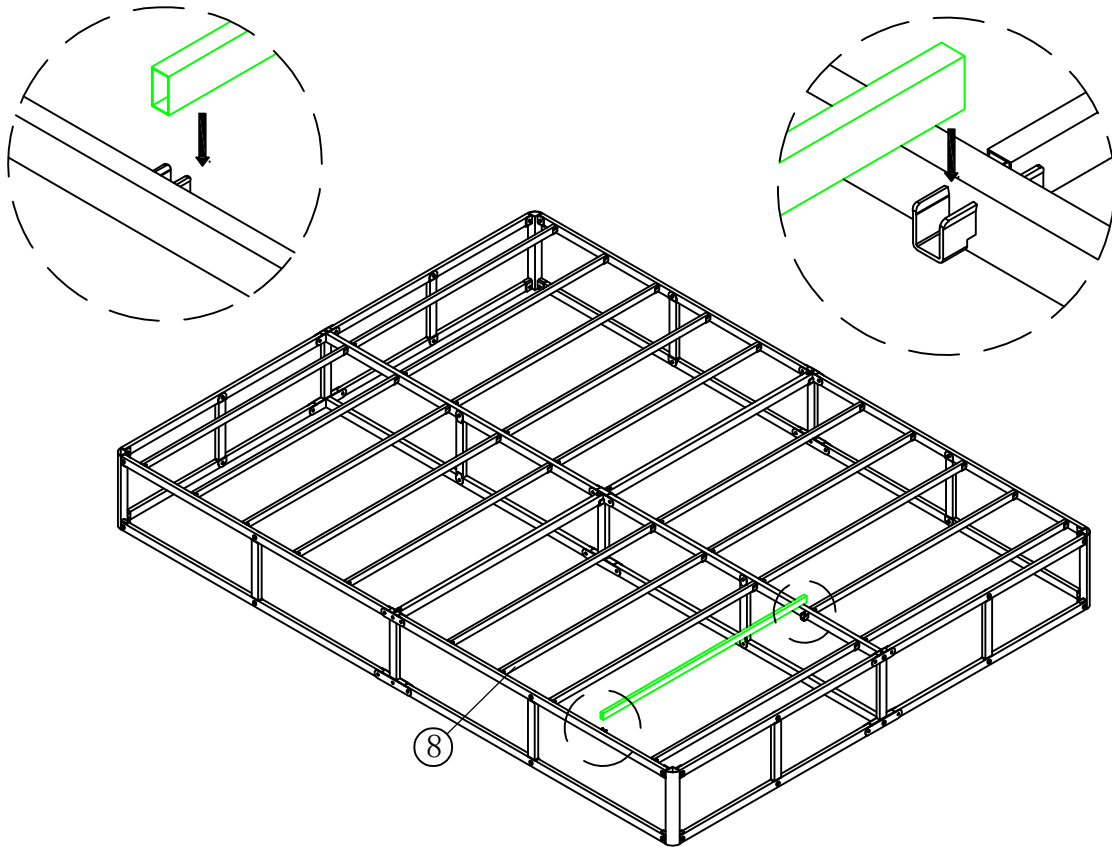
M6×19



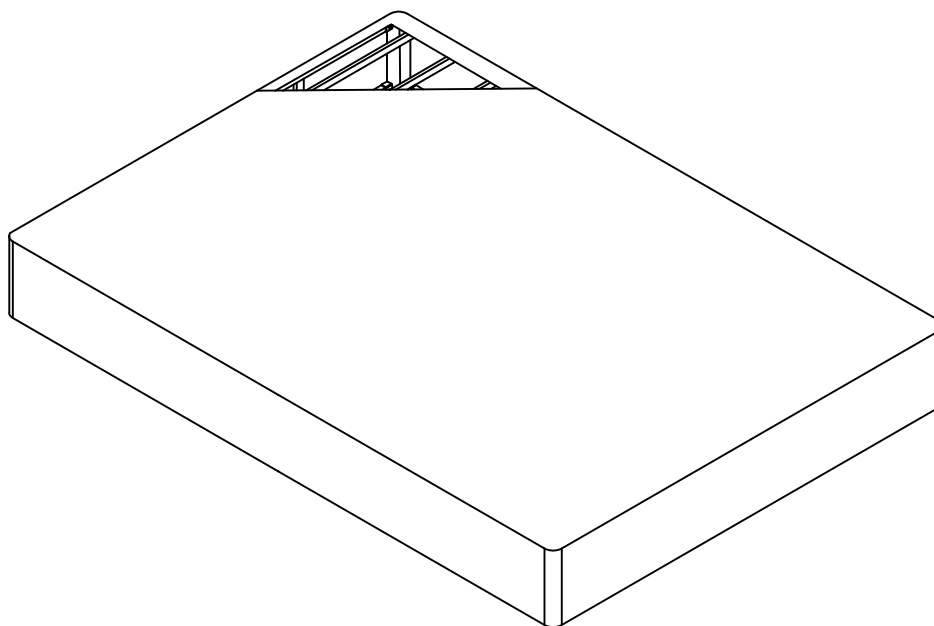
16PCS



Step5:Insert slats



Step6:Put on the fabric cover-D, completed



In the last step, please make sure all the screws are tightened.