

# ASSEMBLY INSTRUCTIONS

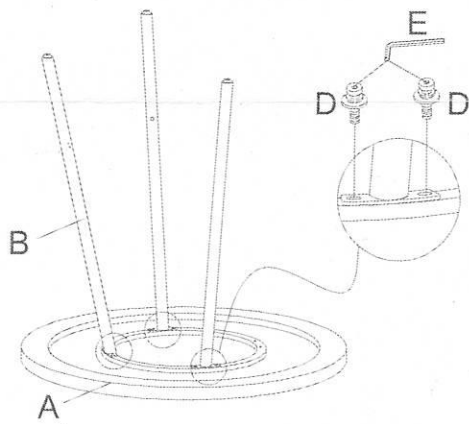
NOTE: THIS ITEM NOT RECOMMENDED FOR COMMERCIAL USE

KEEP THIS DOCUMENT FOR REFERENCE IN CASE PARTS ARE NEEDED

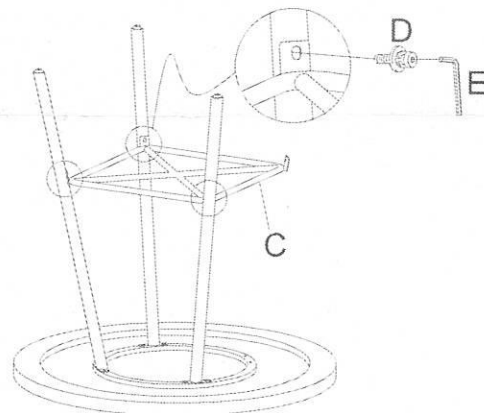
DO NOT TIGHTEN SCREWS UNTIL COMPLETELY ASSEMBLED !!

NO	DESCRIPTION		Q' TY
A	TABLE TOP	Ø36" X 1-3/8"	1
B	TABLE LEGS	35-1/4" X 3"	4
C	STRETCHER	19-1/4" X 19-1/4"	1
D	BOLT	Ø1/4" X 5/8"	12
E	ALLEN KEY	4mm	1

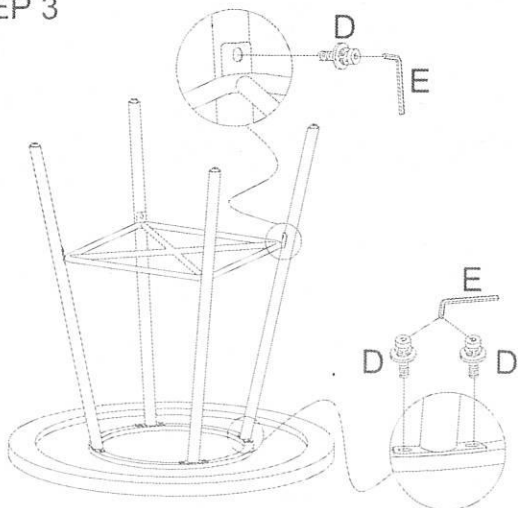
STEP 1



STEP 2



STEP 3



STEP 4

