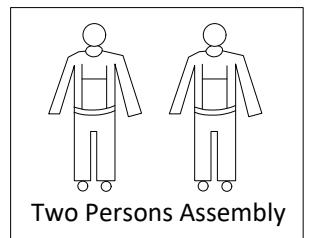
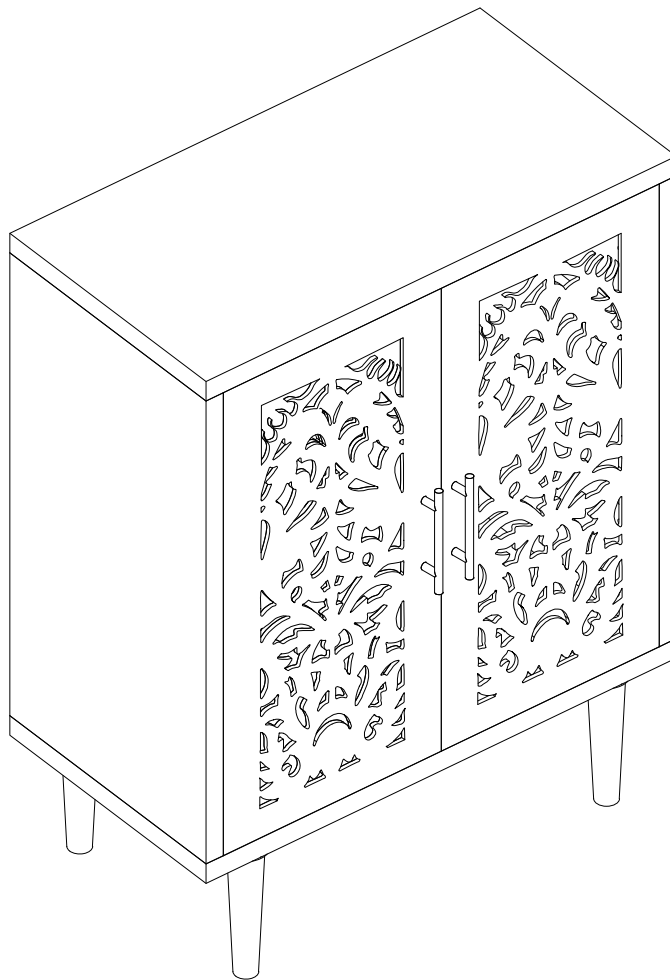
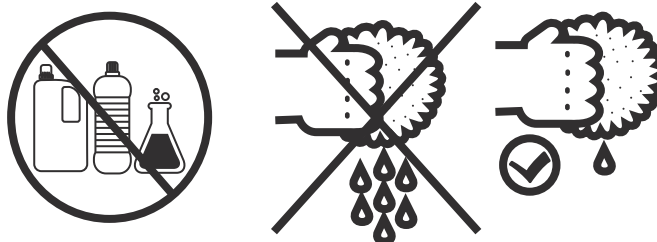
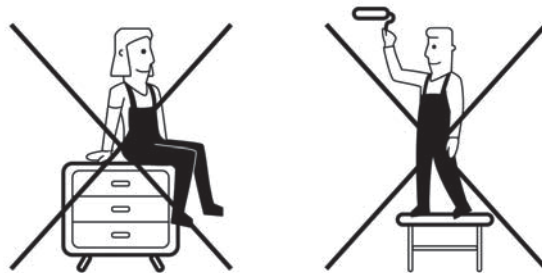
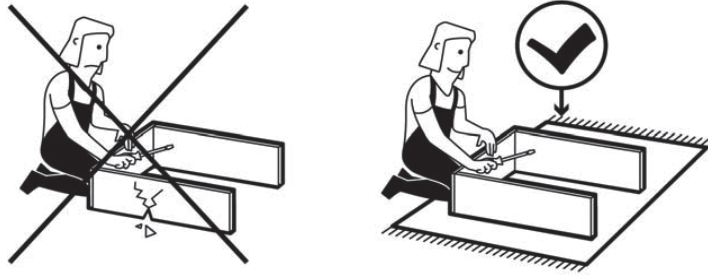
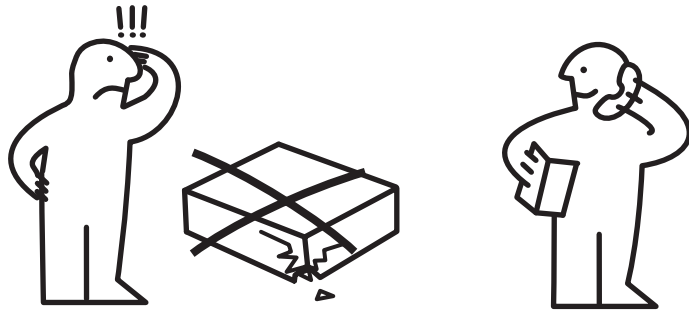
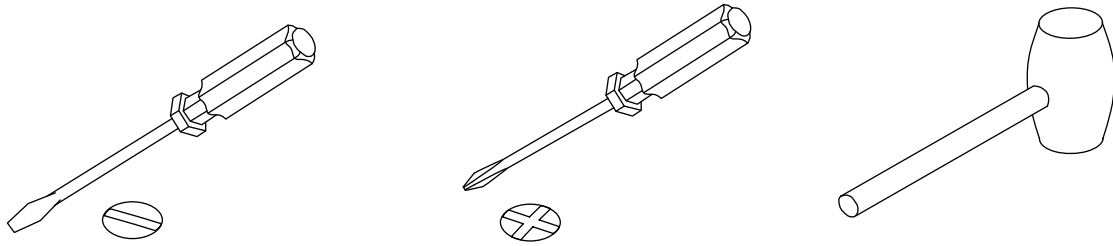


# ASSEMBLY INSTRUCTIONS



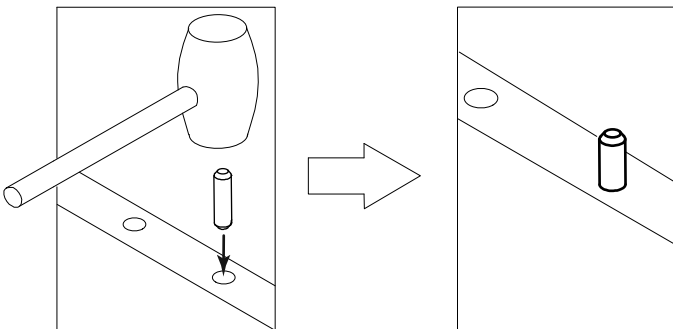


# ASSEMBLY TOOLS REQUIRED (NOT INCLUDED)



- \* Before discarding packing materials, please check all parts and hardware are presented.
- \* Please follow the instructions closely.
- \* After few days of initial assembly, the product may has acclimated to new environment, please tighten all hardware again.

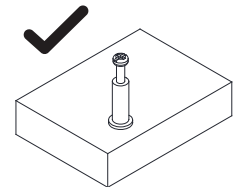
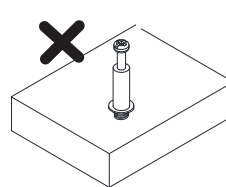
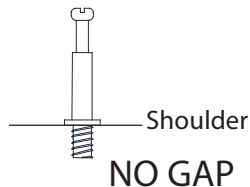
## Dowel Installation



Gently tap dowel into hole with rubber mallet.

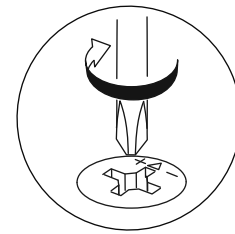
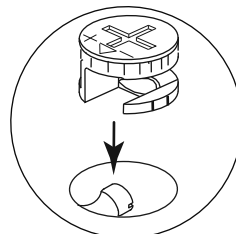
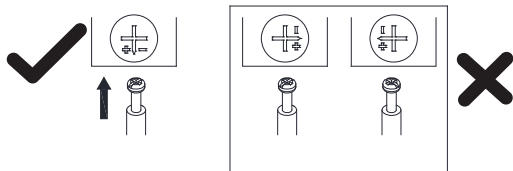
## CAM-LOCK

Tighten until shoulder is flush with panel. Do not overtighten or undertighten

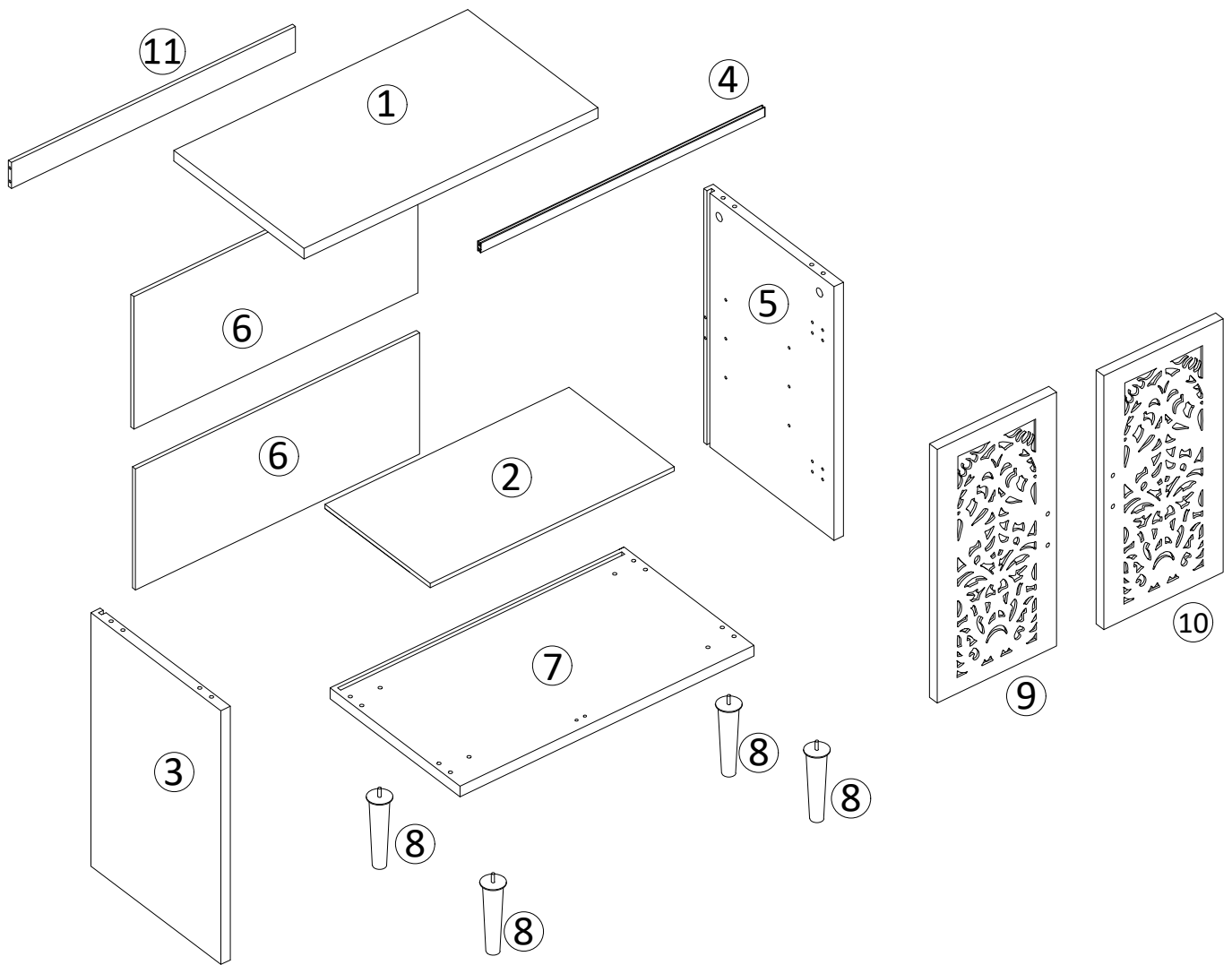


## WHEN FITTING CAMS

ENSURE STARTING POSITION IS CORRECT BEFORE YOU INSERT CONNECTING CAM-PILLAR TURN CLOCKWISE UNTIL SECURE



Laying out all the parts and hardware and identifying each part as shown below. It may help you when you assemble the item.



① ×1

② ×1

③ ×1

④ ×1

⑤ ×1

⑥ ×2


⑦ ×1

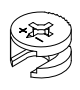
⑧ ×4

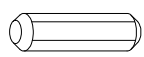
⑨ ×1

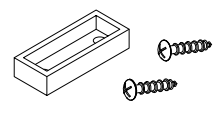
⑩ ×1


⑪ ×1


A	x8+1(Spare)
	
φ6×27mm	

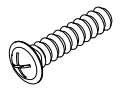
B	x8+1(Spare)
	
φ15×9.5mm	

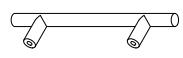
C	x8+1(Spare)
	
φ6×30mm	

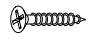
D	x2
	
FA3×12mm	

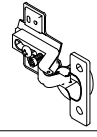
E	x4
	
M6×15L-φ15×6T	

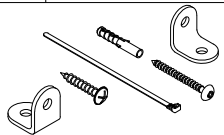
F	x4
	
φ21	

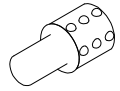
G	x4+1(Spare)
	
M4×22mm	

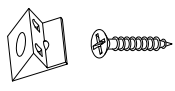
H	x2
	
150mmH	


I	x24+2(Spare)
	
FA4×12mm	

J	x4
	
φ26mm-L	

K	x2
	
4×40mm/4×12mm	

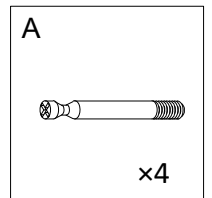
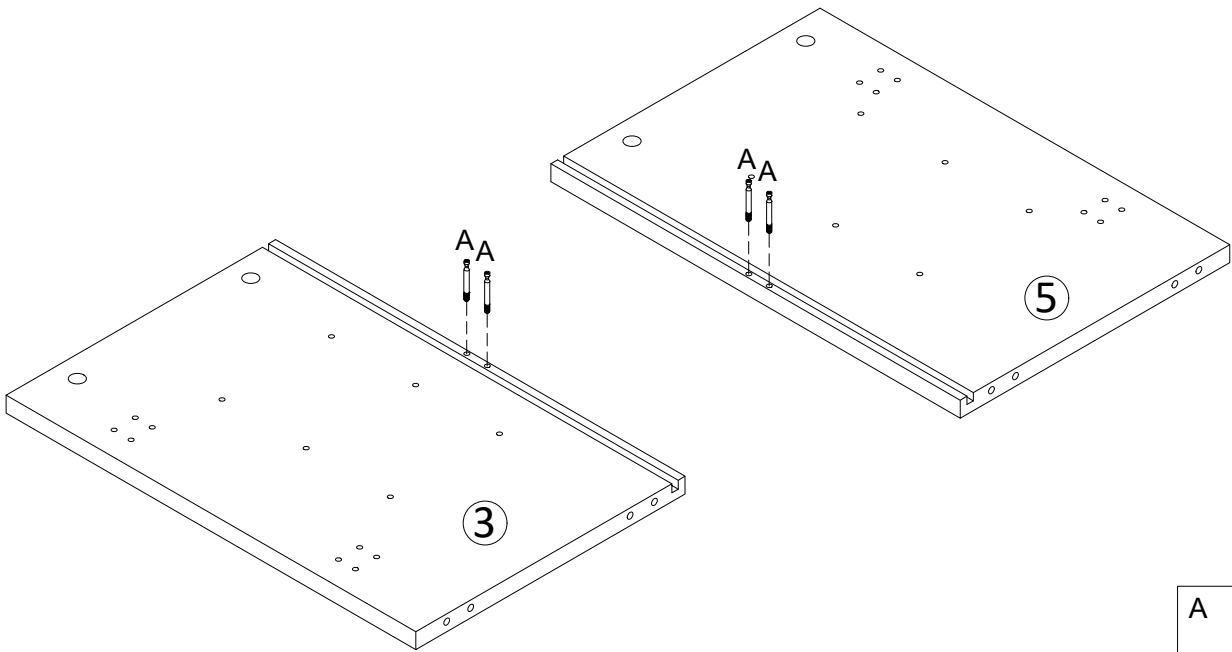
M	x4+1(Spare)
	
M5×14mm	

N	x8+1(Spare)
	
FA3×16mm	

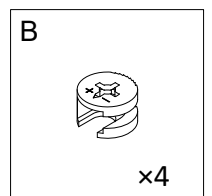
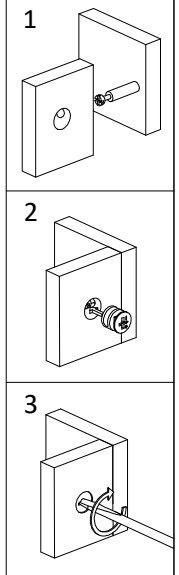
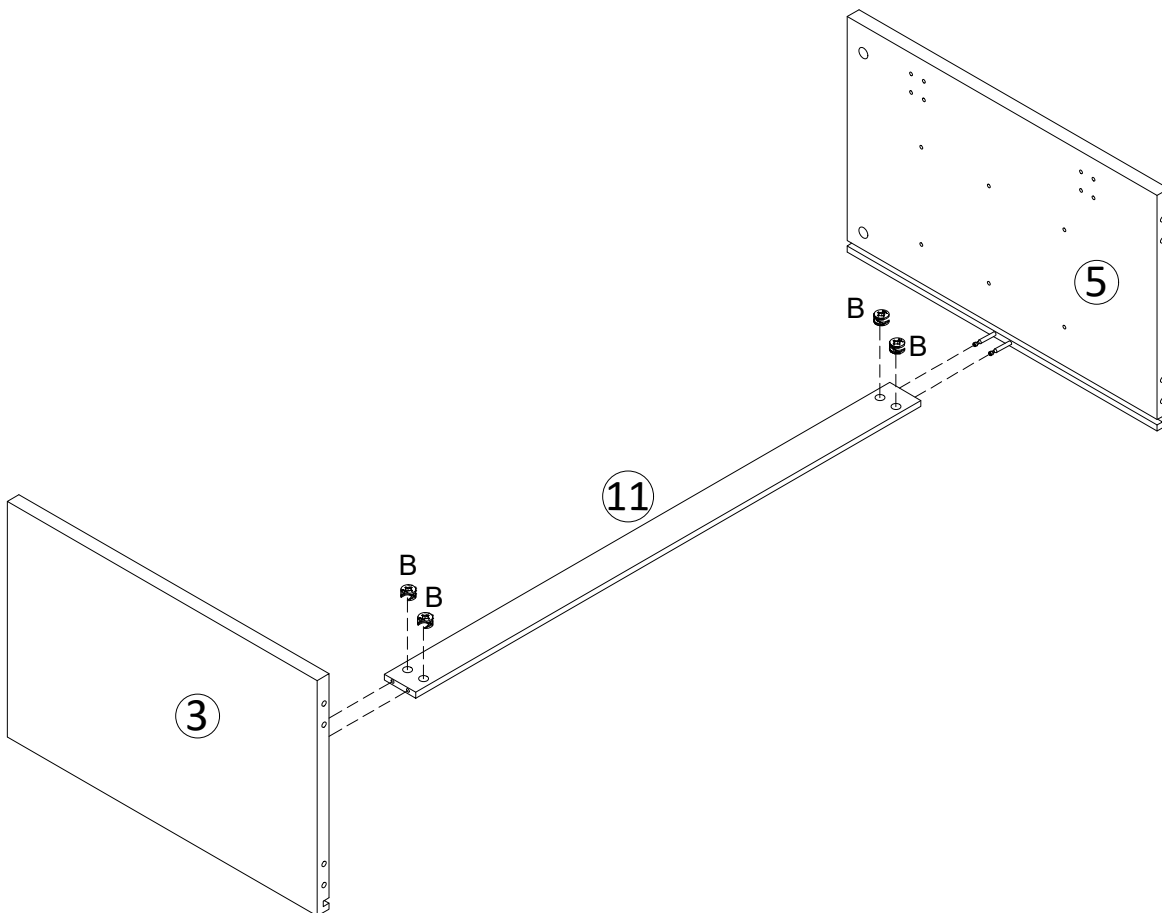
O	x4+1(Spare)
	
FA4×40mm	

1

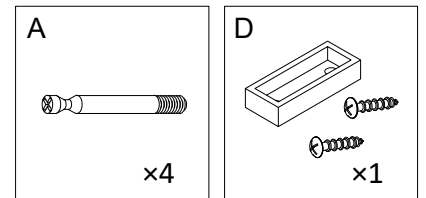
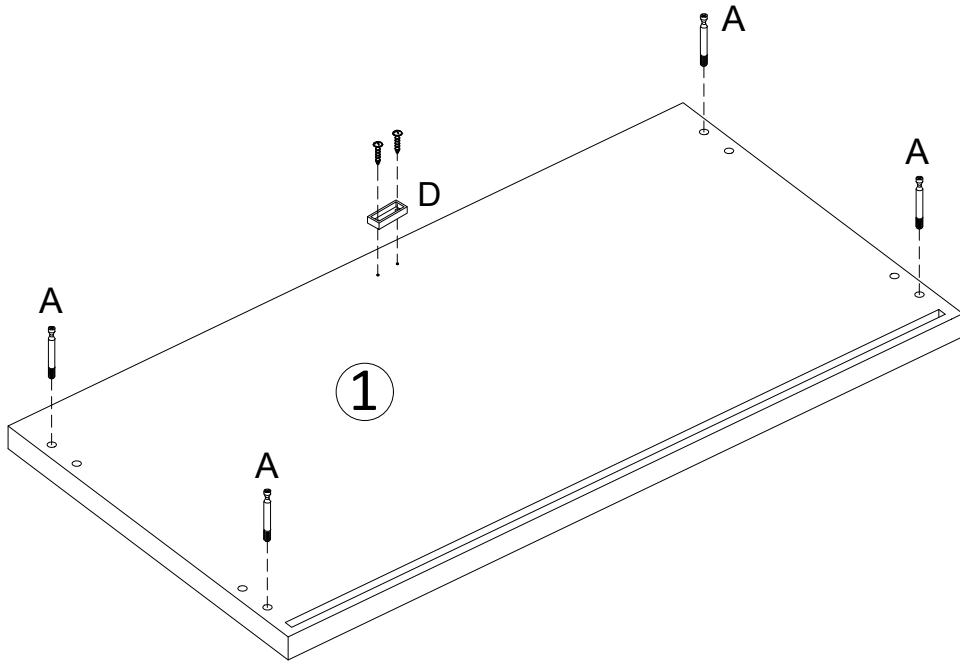
Turn the screws vertically  
from slow to fast.



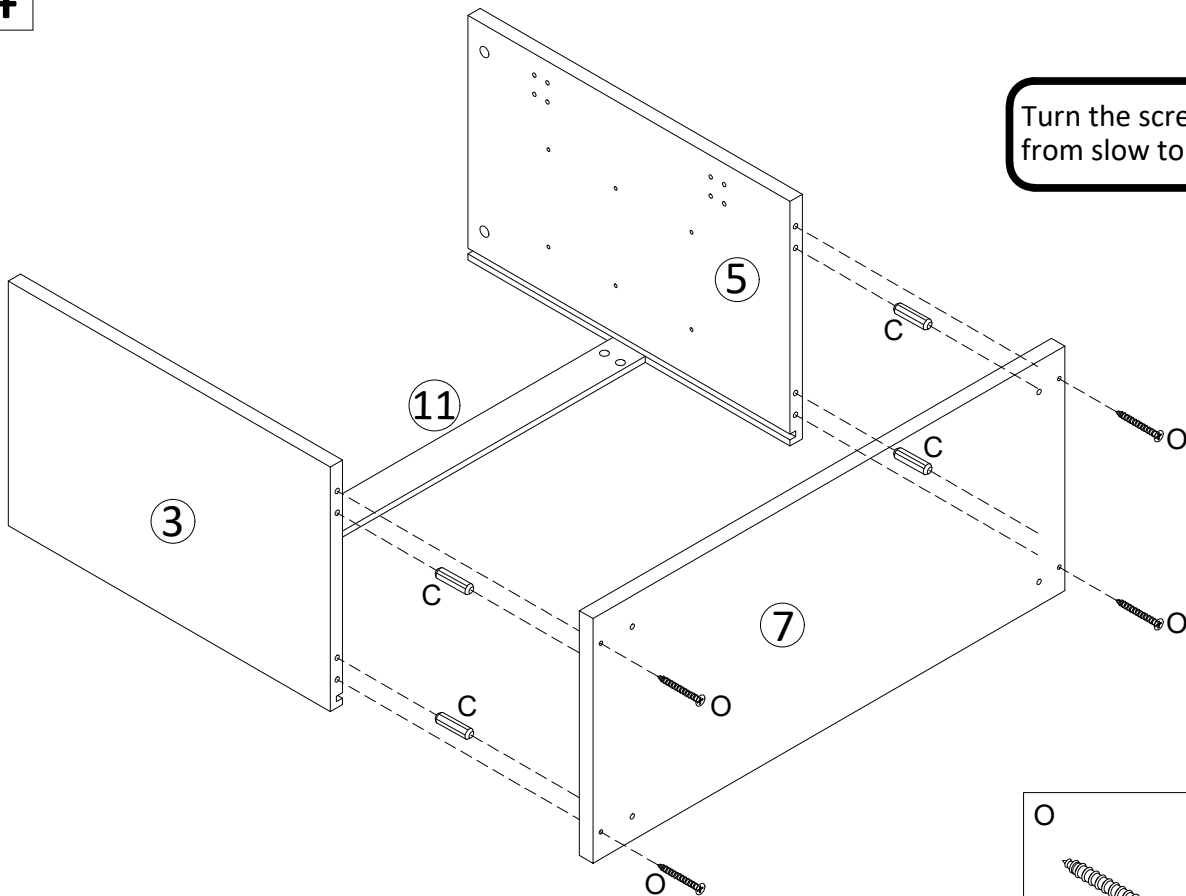
2



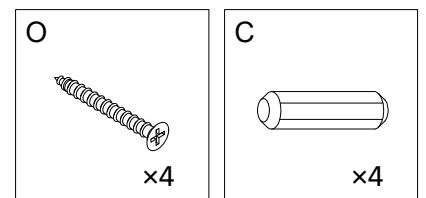
3



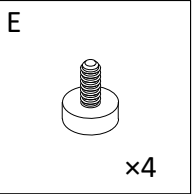
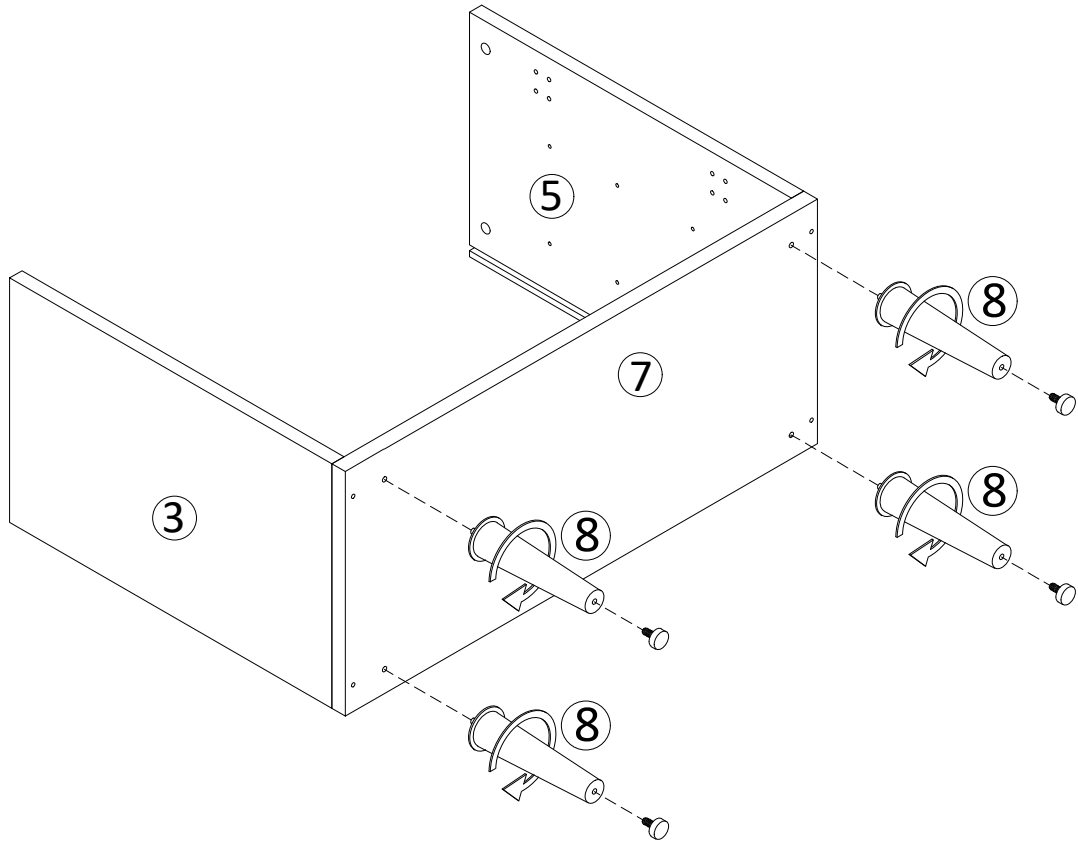
4



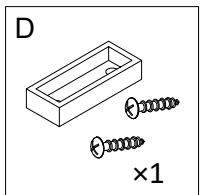
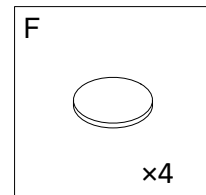
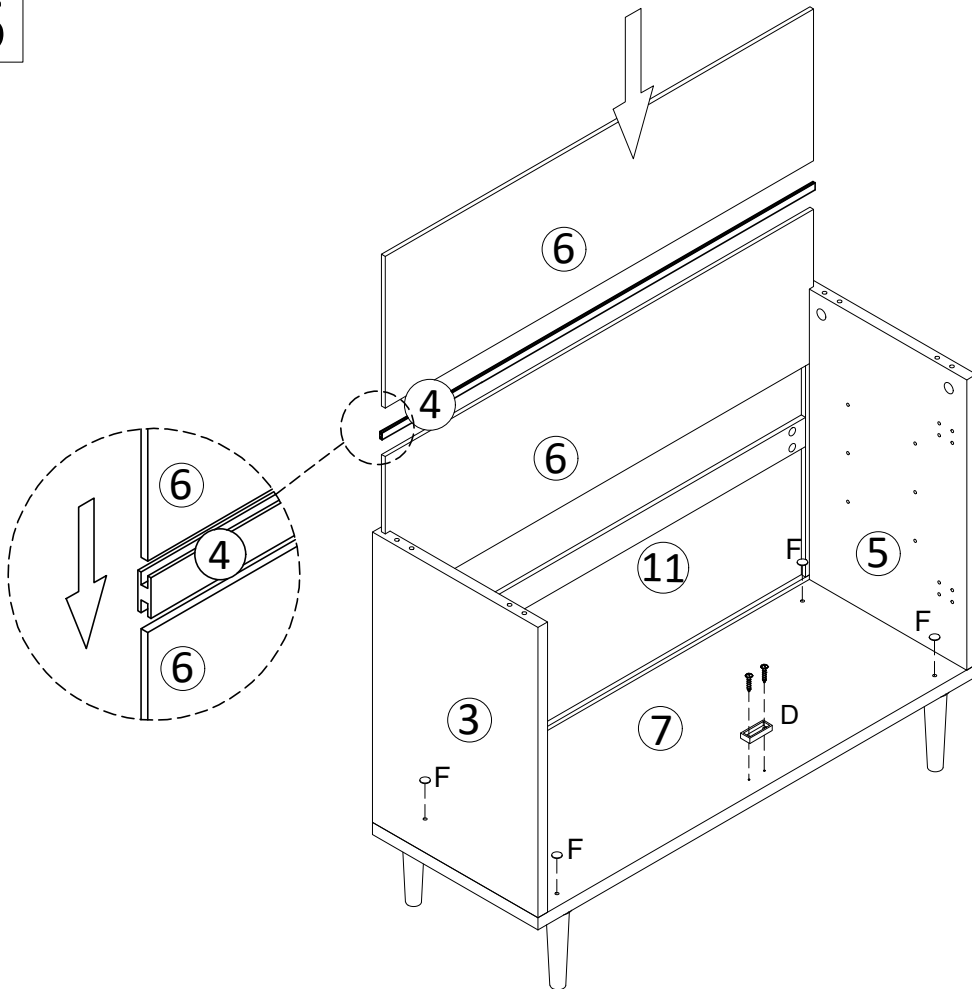
Turn the screws vertically from slow to fast.



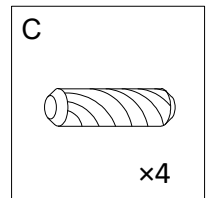
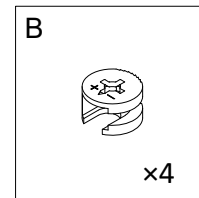
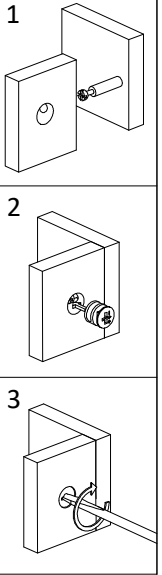
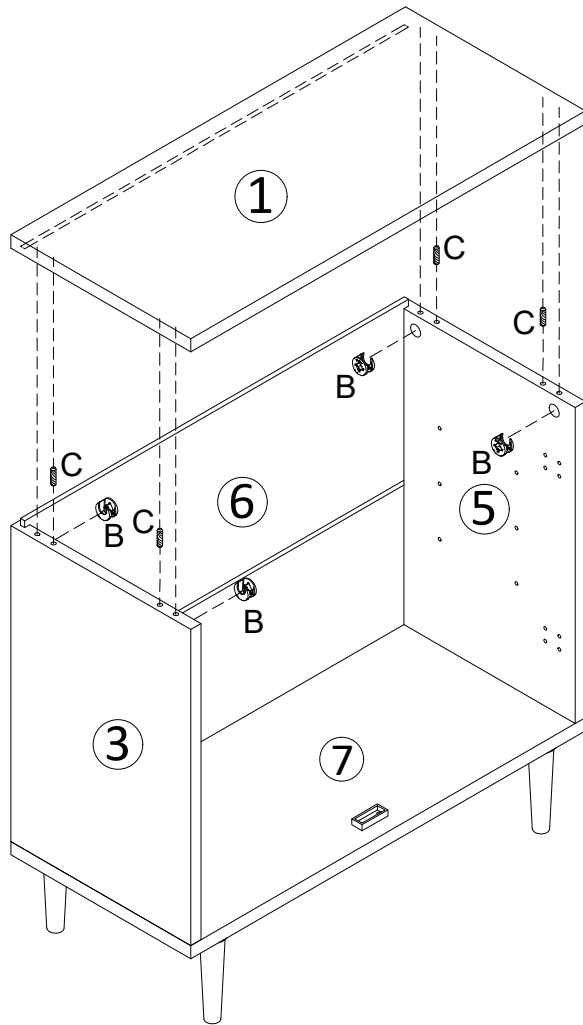
5



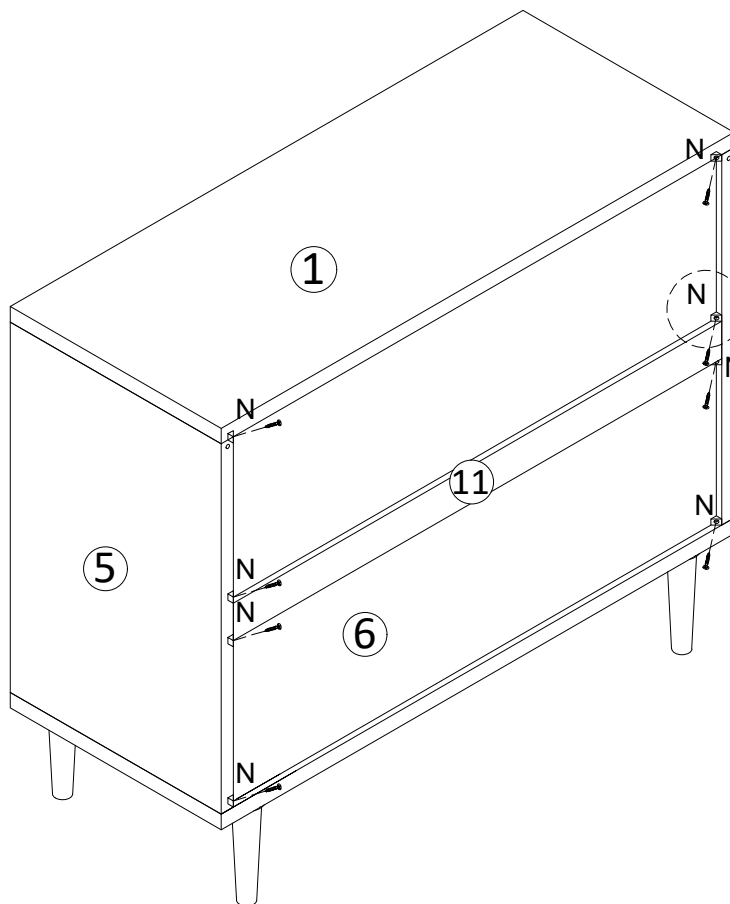
6



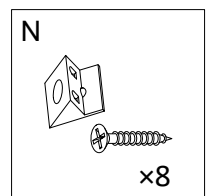
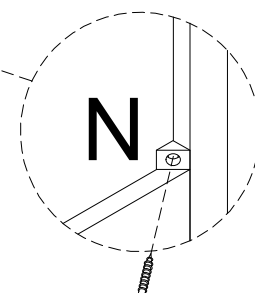
7



8

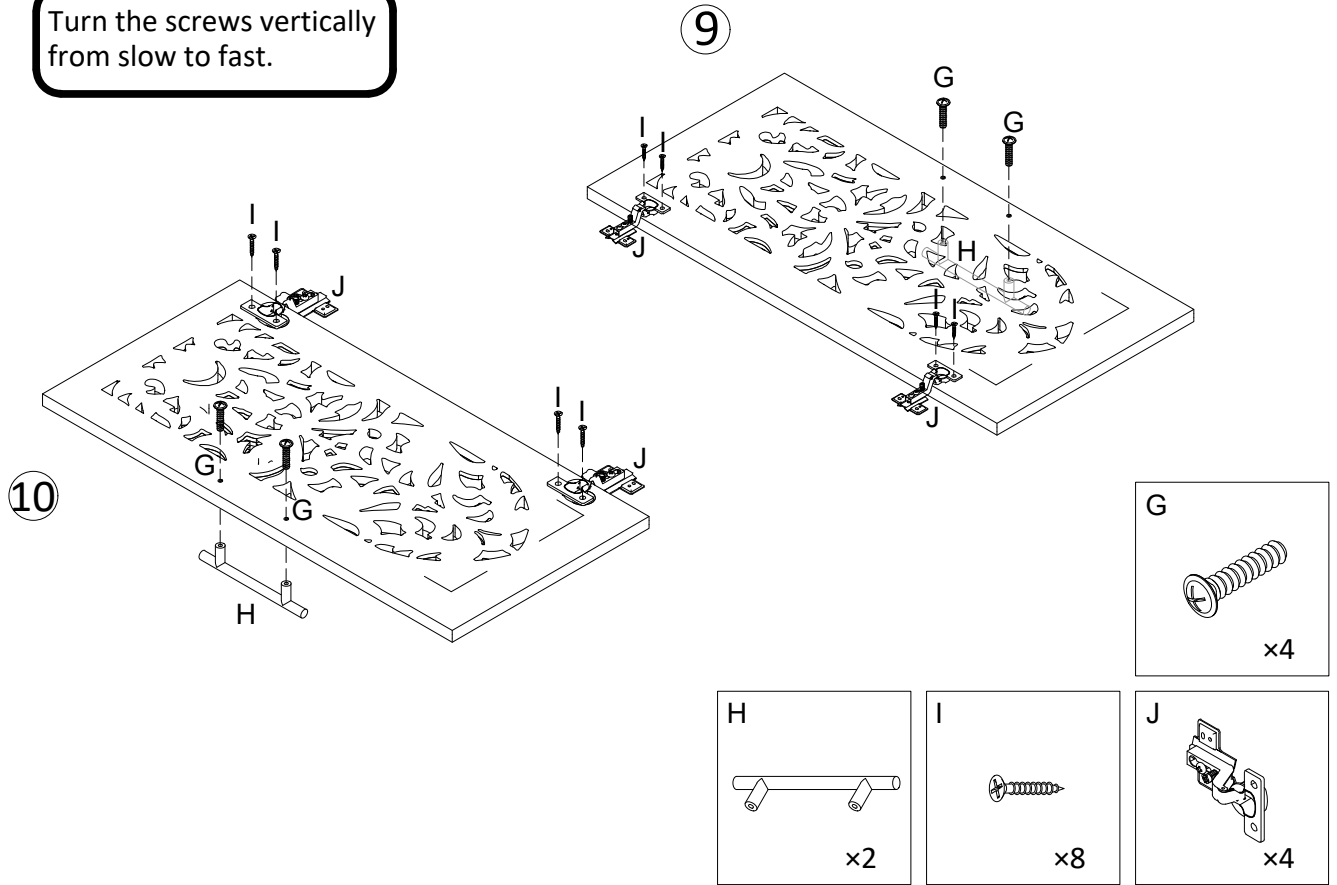


Turn the screws vertically from slow to fast.

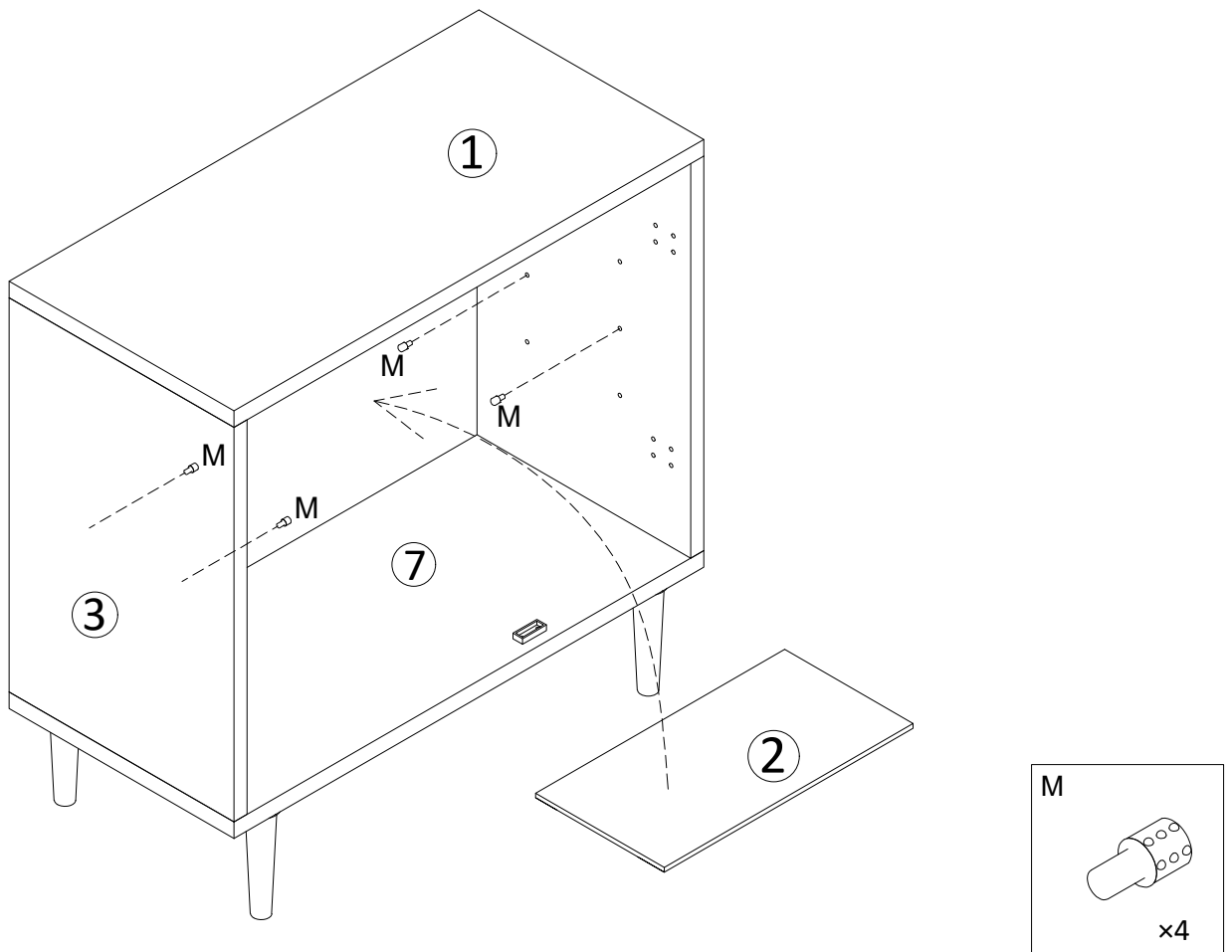


9

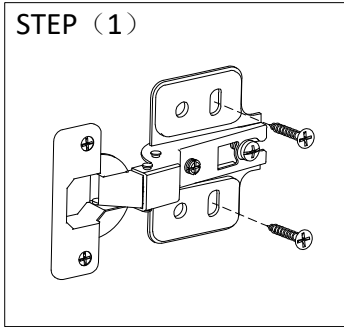
Turn the screws vertically from slow to fast.



10

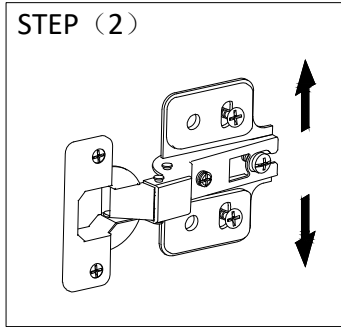


STEP (1)



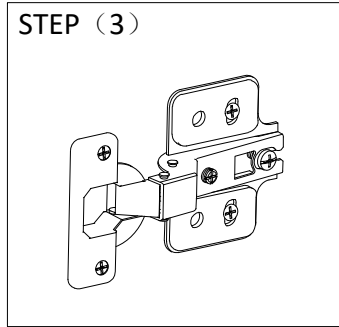
**Tips:** Turning the screw to approx 50% tightness, don't be fully tight.

STEP (2)



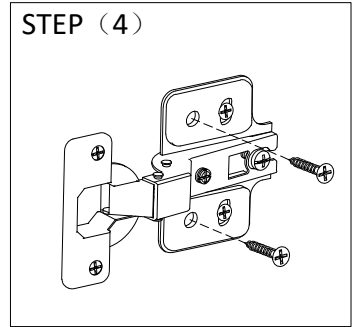
**Tips:** Moving the hinges up or down appropriately to adjust the gap between the door with the cabinet top and bottom.

STEP (3)

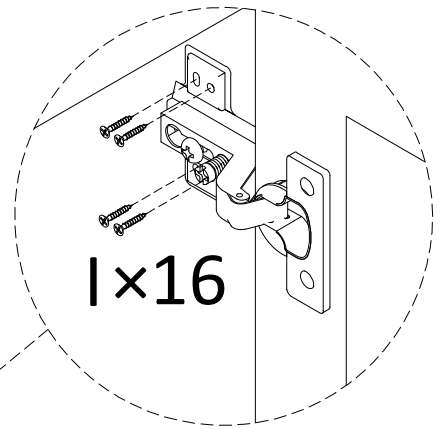
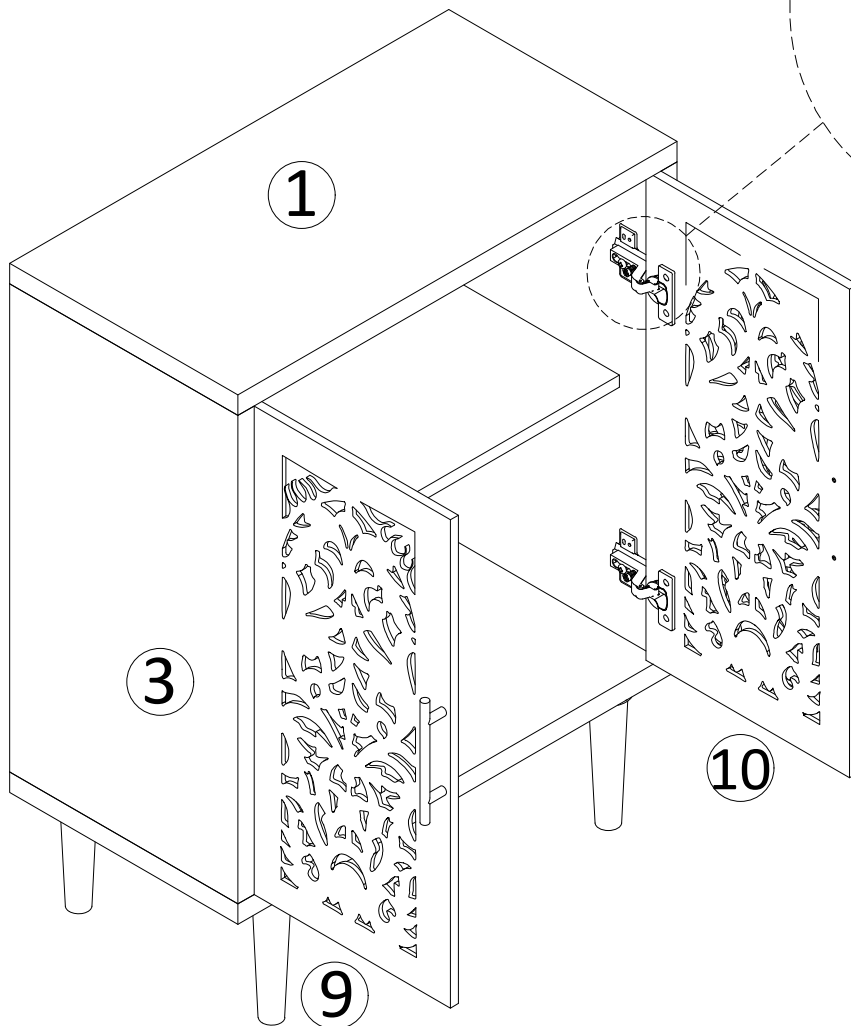


**Tips:** Tightening the screws completely.

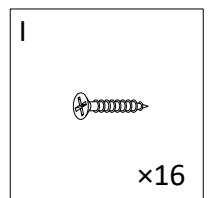
STEP (4)



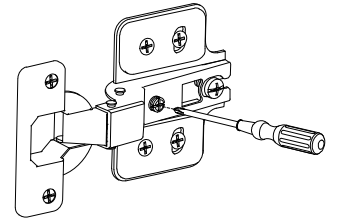
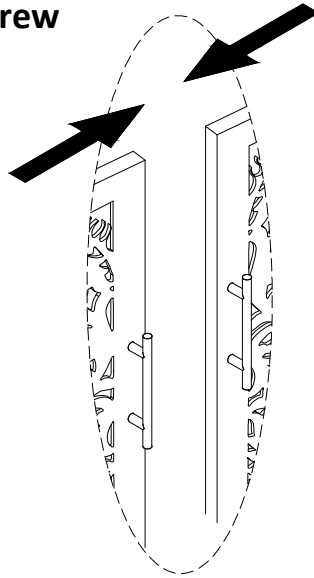
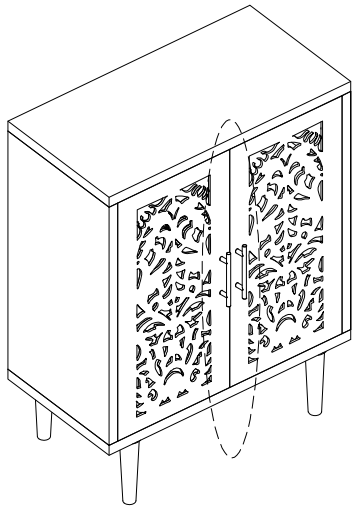
**Tips:** Tightening the other screws completely.



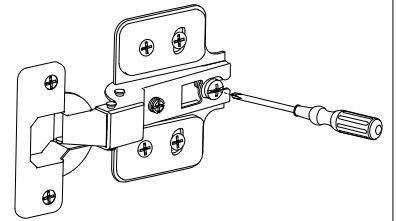
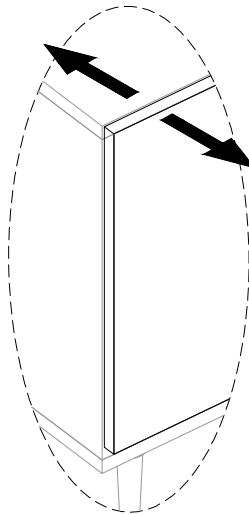
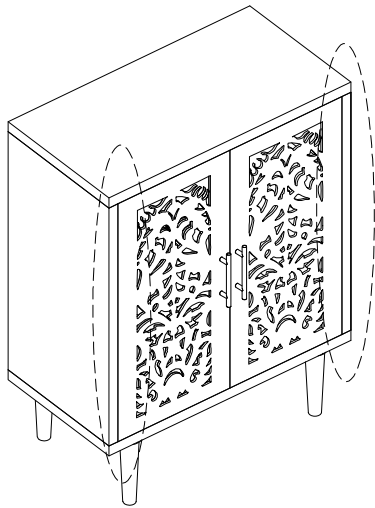
Turn the screws vertically from slow to fast.



**12** Tips: If the gap between two doors is too far or close, please turning the screw as shown below.



Tips: Adjusting the screw as shown in the following picture can make the door move forward or backward.



Tips: Adjusting the levelers appropriately underneath the bottom of the foot can make the gaps between the door and frames of cabinet even.

