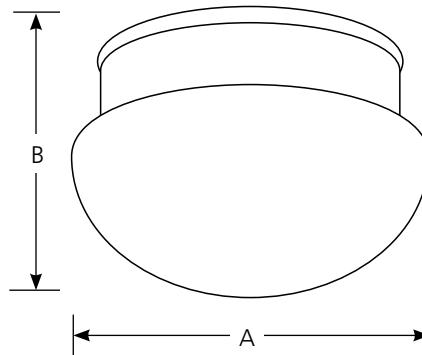


Type _____

Catalog No.	Finish				Lamping	Dimensions (Inches)	
	Brushed Nickel	Polished Brass	Antique Bronze	White		A	B
					2 (m) 60w	9-1/2	5-1/4



Specifications:

General

- White glass bowl
- Plated Brushed Nickel, Polished Brass finishes
- Painted Antique Bronze, White finish
- (3) installed fitter screws to retain glass
- Steel construction

Mounting

- Ceiling mount
- Ceiling pan covers a standard 4" hexagonal recessed outlet box
- Mounting strap for outlet box included
- Keyhole slots for easy mounting

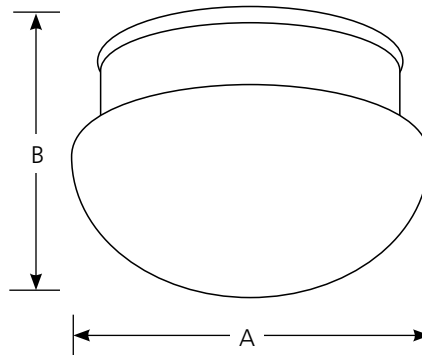
Electrical

- Requires 90-degree supply wire connections
- Medium base ceramic sockets
- Pre-wired

Labeling

- UL-CUL Dry location listed

Catalog No.	Finish	Lamping	Dimensions (Inches)	
	Brushed Nickel		A	B
		2 GU24 13w (included)	9-1/4	5-1/8



Specifications:

General

- White glass, shade
- Plated Brushed Nickel finish
- (3) installed fitter screws to retain glass
- Steel construction

Mounting

- Ceiling ctc mount
- Ceiling pan covers a standard 4" hexagonal recessed outlet box
- Mounting strap for outlet box included
- Keyhole slots for easy mounting

Electrical

- Requires 90-degree supply wire connections
- GU24 base sockets
- Pre-wired

Labeling

listed