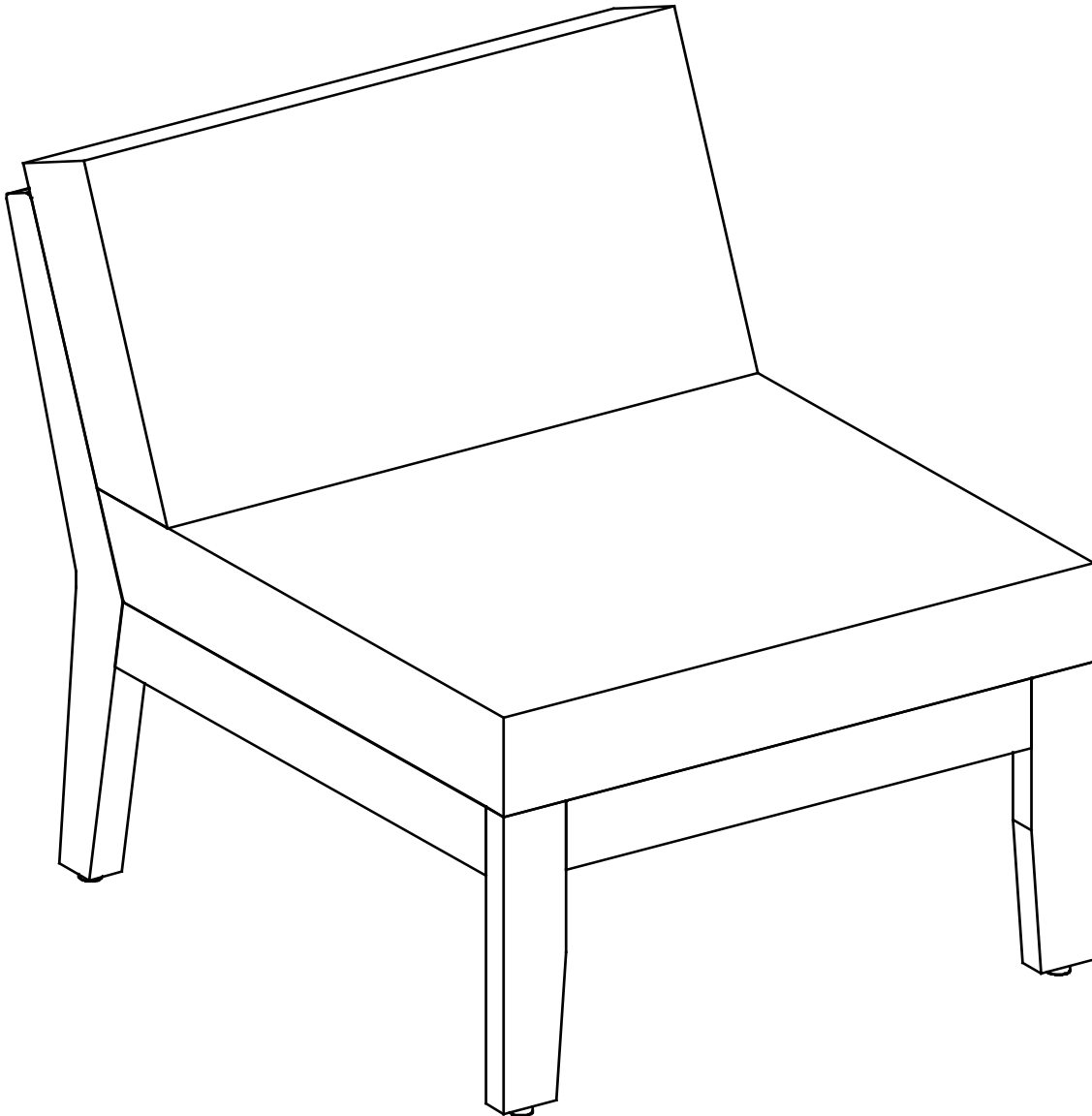


Assembly Instructions

Caution: You must read this before you proceed.

Armless Chair

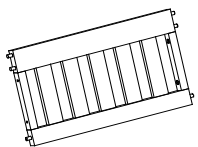
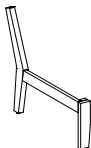
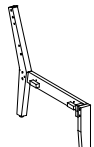
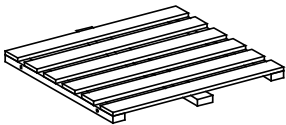
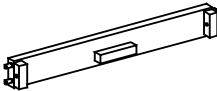

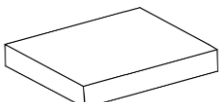
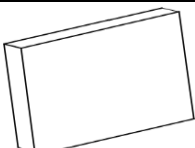


Caution: This Chair is NOT a TOY.

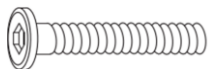

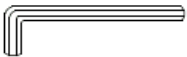
Keep your child/children at bay during the assembly process.

Whenever moving/lifting the Chair and to prevent damage to the Chair, two adults are needed to execute these actions.

Part List

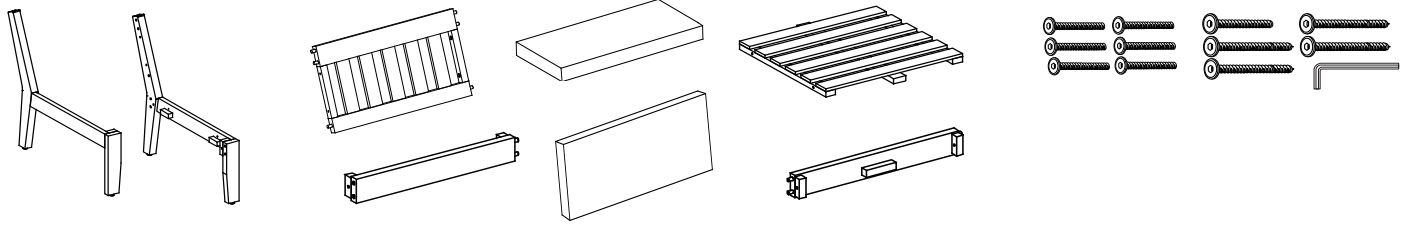
No.	Picture	Description	Qty
A		Backrest Panel	1
B		Left Panel (with Pre-installed Levellers)	1
C		Right Panel (with Pre-installed Levellers)	1
D		Seat Panel	1
E		Back Support Bar	1
F		Front Support Bar	1
G		Seat Cushion	1
H		Back Cushion	1






Hardware

No.	Picture	Description	Qty
①		Bolt (M6x35mm)	9
②		Screw (M6x55mm)	5
③		Allen Key	1

Assembly Preparation

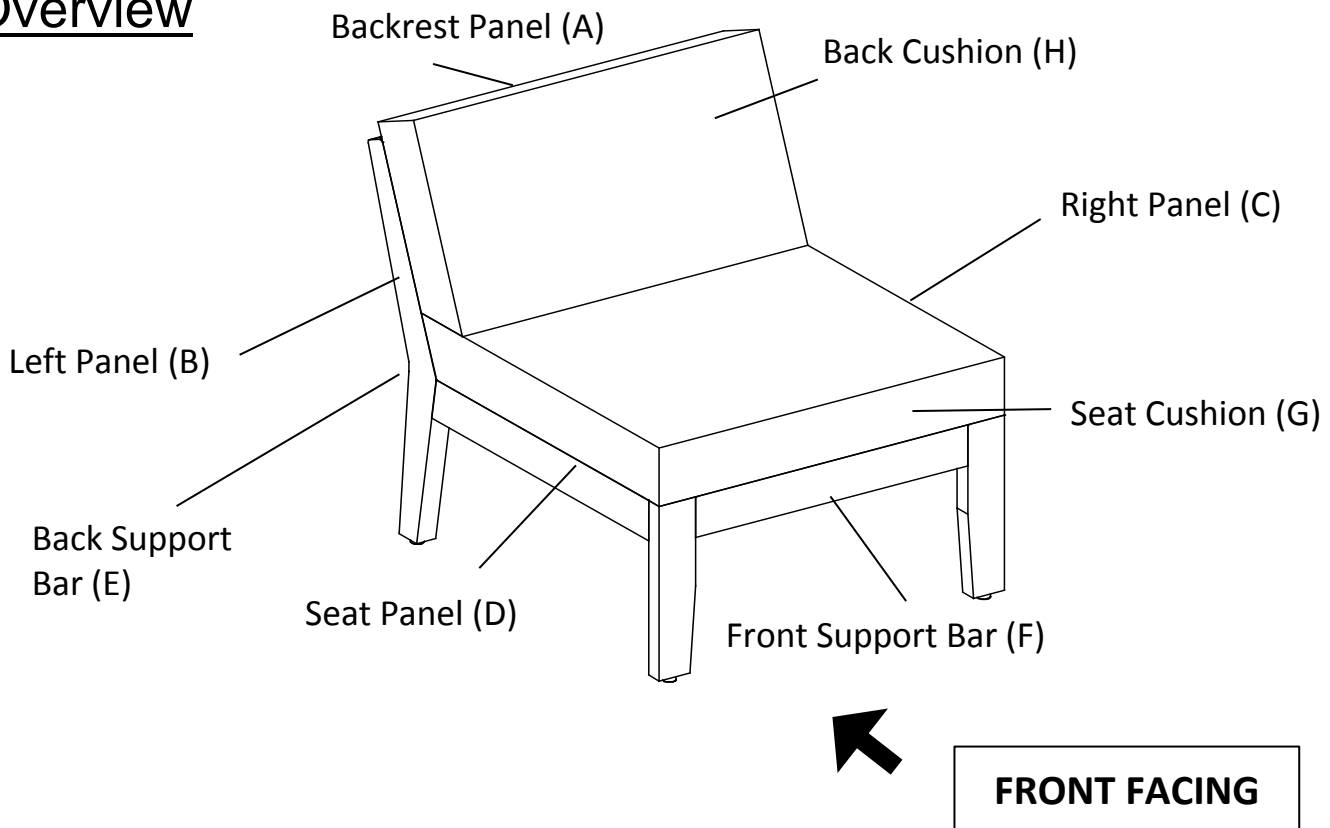
Before Beginning Assembly:



-  Read instructions, cover to cover.
-  Have 2 adults on hand for assembly.
-  Do not assemble on flooring or carpet.
-  Assemble on a clean non-marring surface (packing foam).
-  Save all packaging until finished.

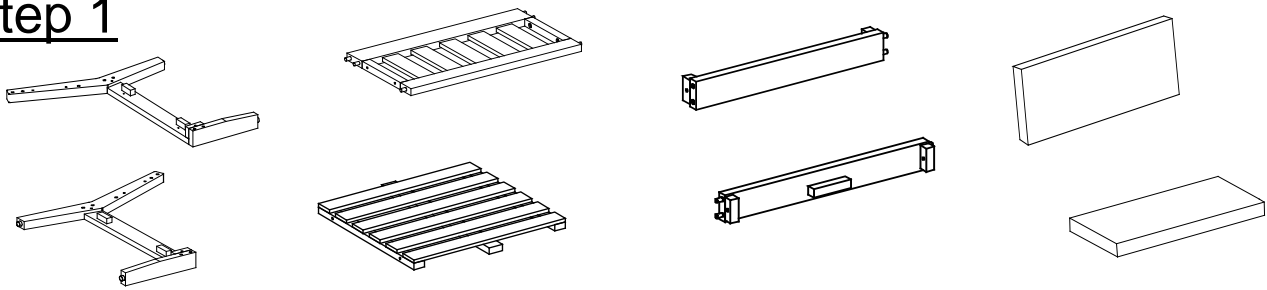
Assembly Steps

Overview



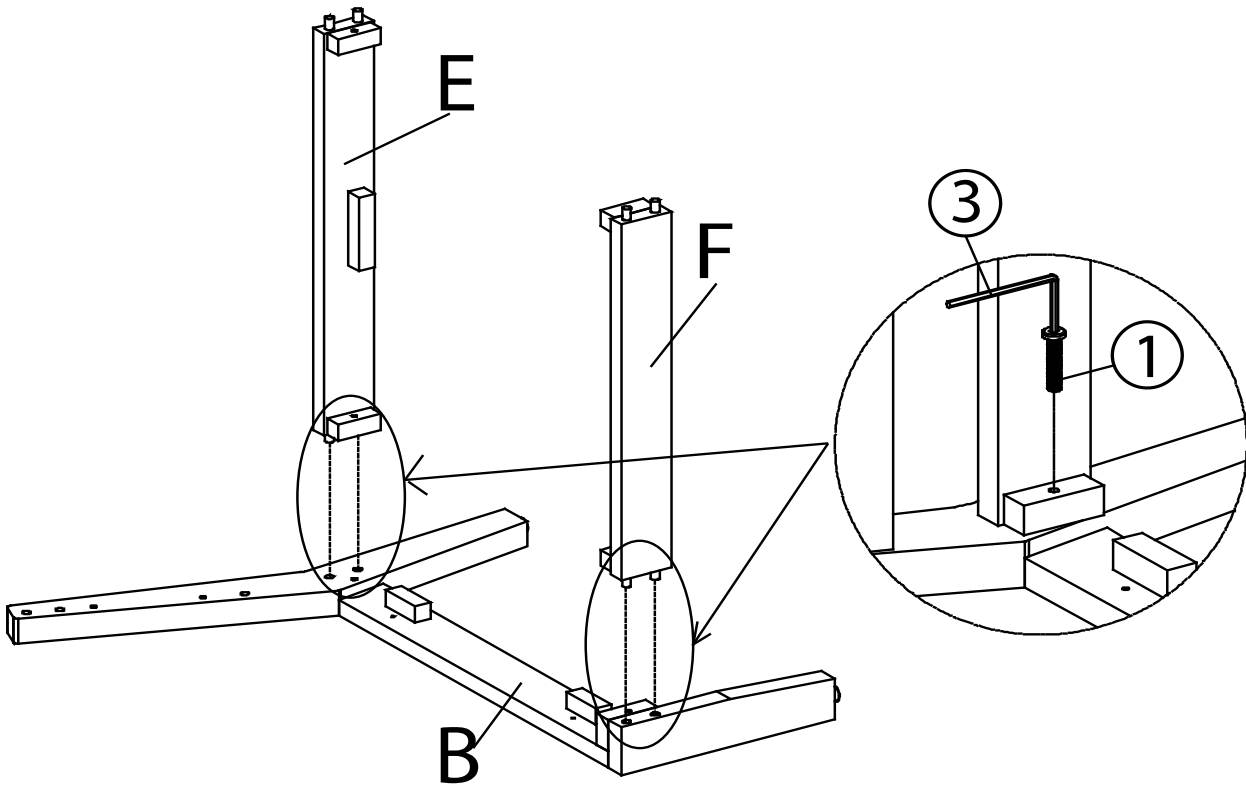
This Armless Chair has multiple parts and may require up to 30 minutes to assemble. To give you an overview of the Armless Chair parts, the above picture is to help you put the various parts into perspective. Please read through the instructions below to familiarise yourself with the parts and steps before assembly.

Step 1



Unpack and place all parts on a clean, non-marring surface.

Step 2



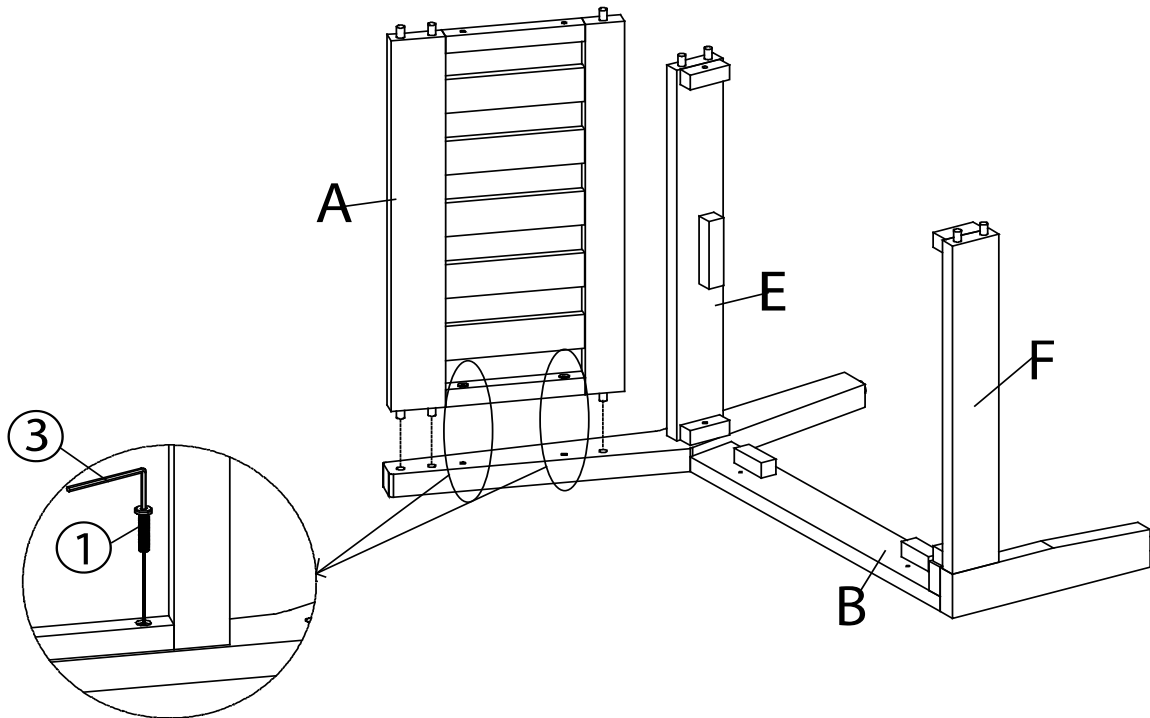
Place Left Panel(B) facedown as pictured.

Insert dowels on Back Support Bar(E) and Front Support Bar(F) into mountings on Left Panel(B).

Attach Back Support Bar(E) and Front Support Bar(F) to Left Panel(B) using Bolts(①) with Allen Key(③).

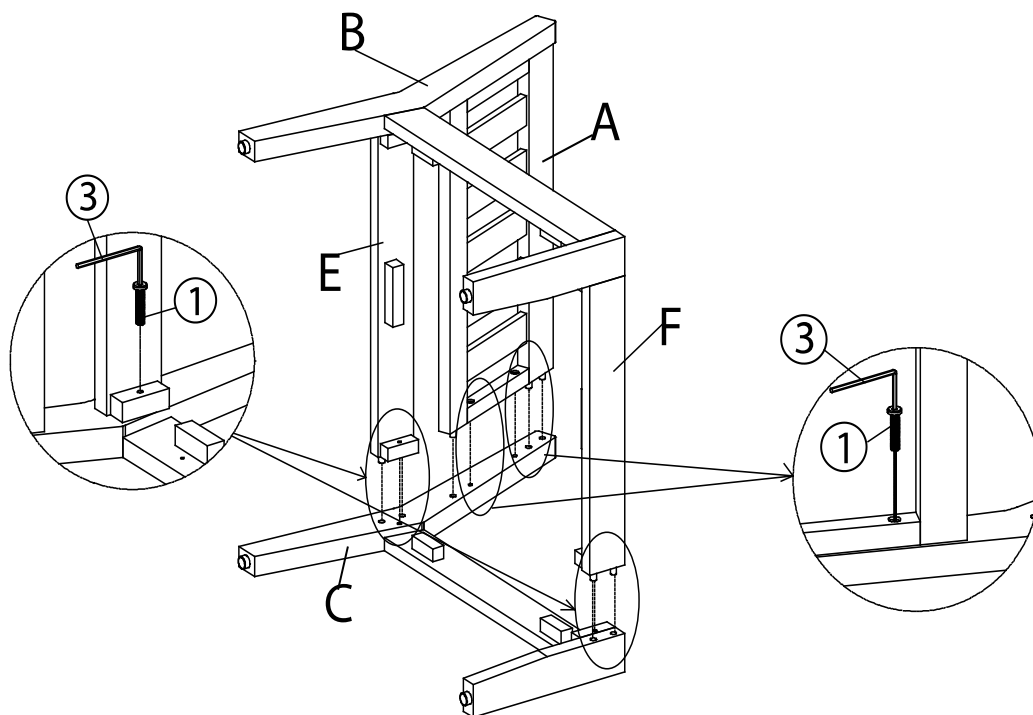
Do not fully tighten the Bolts.

Step 3



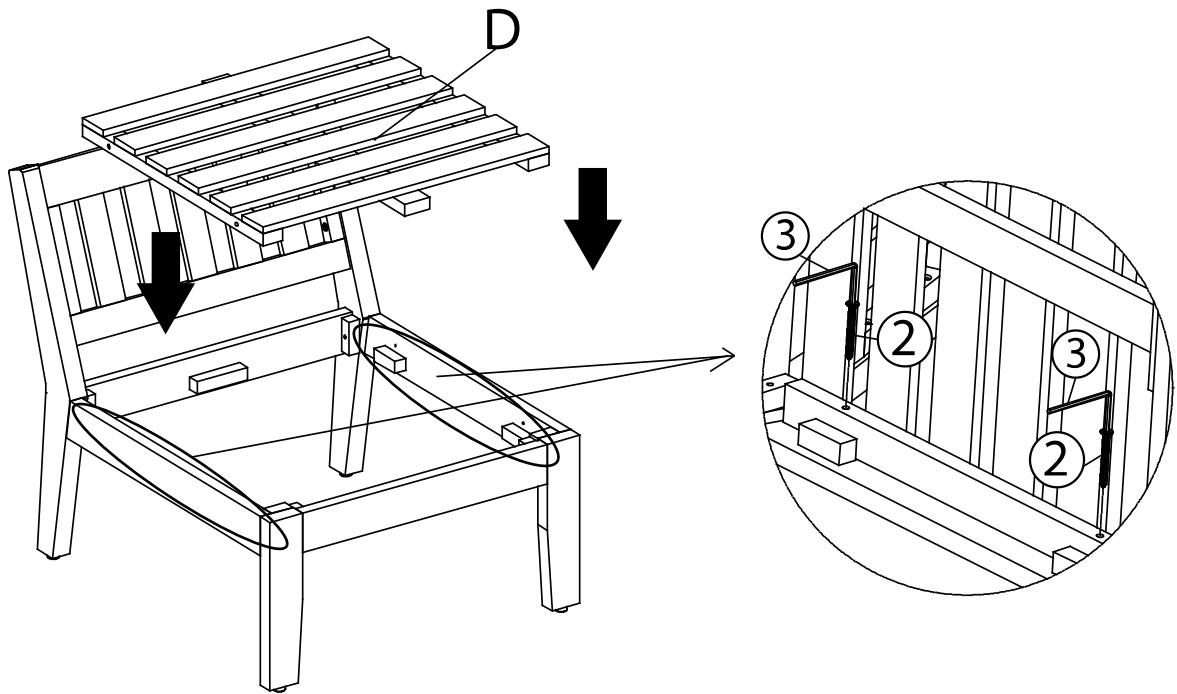
Insert dowels on Backrest Panel(A) into mountings on Left Panel(B).
Attach Left Panel(B) to Backrest Panel(A) using Bolts(①) with Allen Key(③).
Do not fully tighten the Bolts.

Step 4



Place the Right Panel(C) facedown as pictured.
Insert dowels on Backrest Panel(A), Back Support Bar(E) and Front Support Bar(F)
into mountings on Right Panel(C) as pictured above
Attach Right Panel(C) to Backrest Panel(A), Back Support Bar(E) and Front Support
Bar(F) using Bolts(①) with Allen Key(③).
Do not fully tighten the Bolts.

Step 5



Stand the Chair frame up.

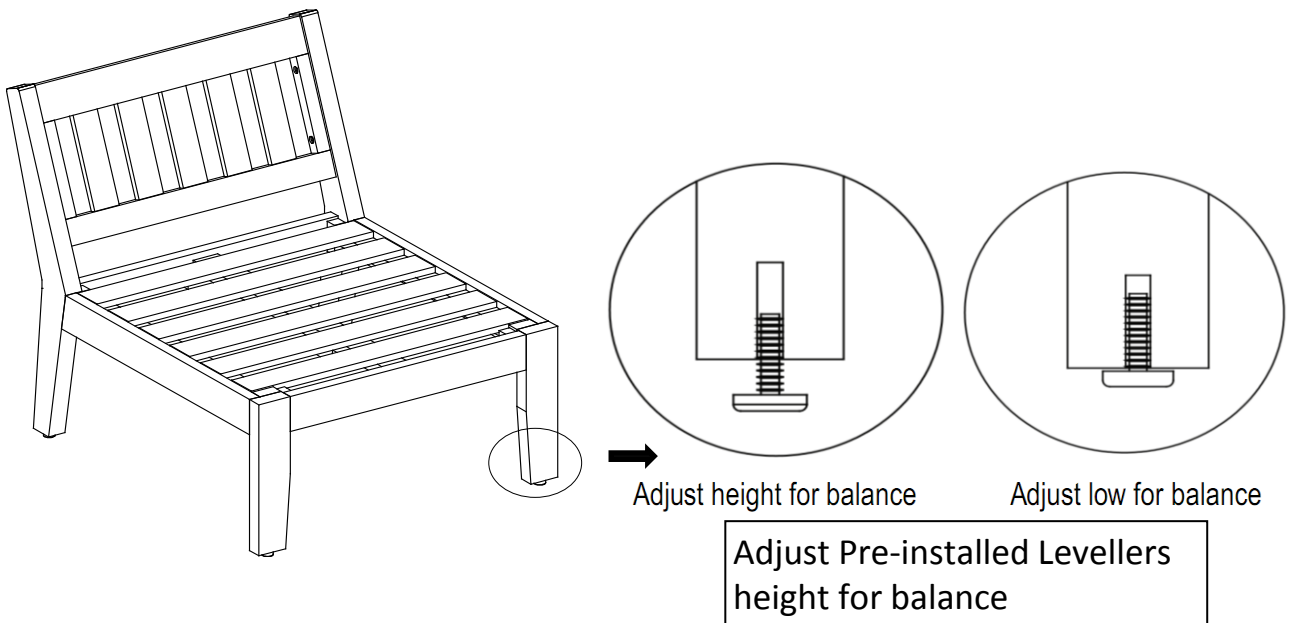
Insert Seat Panel(D) onto Chair frame as shown above.

Attach Seat Panel(D) to Right Panel(C) and Left Panel(B) using Screws(2) with Allen Key(3).

Note: Insert Screws(2) from inside to outside of Seat Panel(D)

Do not fully tighten the Screws.

Step 6



Inspect the Chair and make sure all parts are adequately connected.

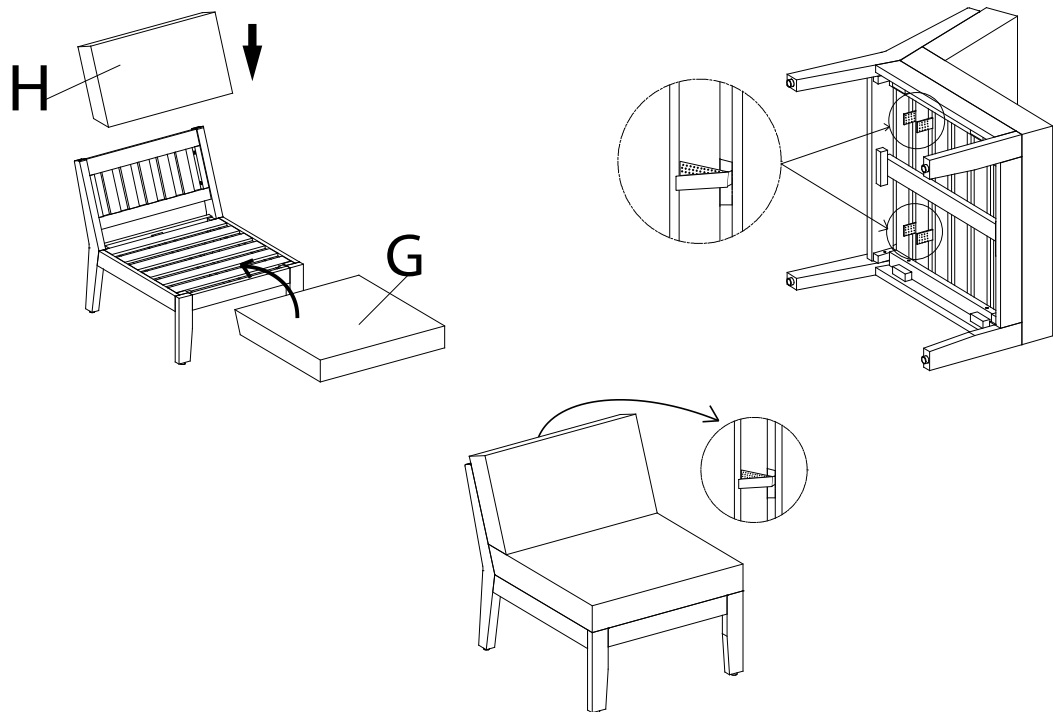
Carefully sit onto the Chair. This pressure will help align all parts at all joints.

In a sequential manner, tighten all Bolts and Screws at all joints.

Adjust the Levellers until the Chair is level with the ground.

To adjust the Levellers, get assistance from an adult partner to lift/lean and hold the Chair while you are working.

Step 7

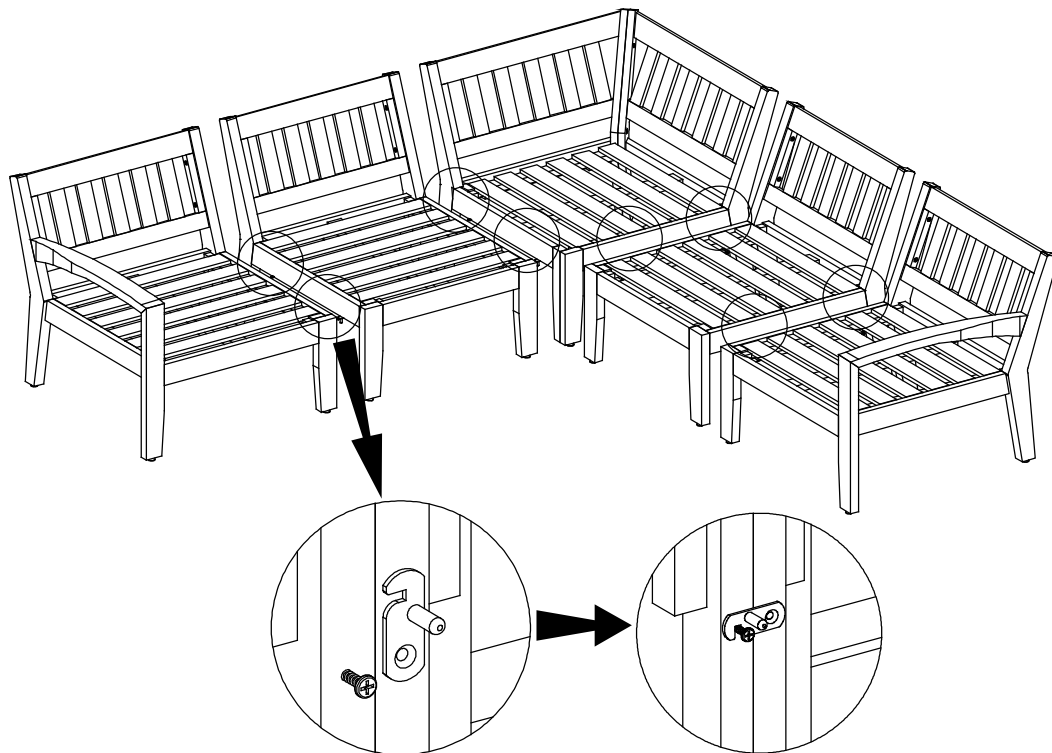


Place Seat Cushion(G), and Back Cushion(H) onto the Chair, and affix the velcro straps around the Chair as shown above.

Your Armless Chair is ready to be used.

This Armless Chair can only be used on a flat, level surface.










Step 8



With assistance from your adult partners, place the Chairs facedown and connect the pre-attached clips to connect the Chairs together.

Note: This is an optional step in case you want to connect all the Chairs in the set together and should be performed before affixing the cushions.

Care & Maintenance

-  ● Do not put hot items directly on furniture surface
 -  ● Do not clean furniture with harsh cleansers or polish.
 -  ● To obtain the longest lifespan of your outdoor products, minimizing exposure to direct sunlight is recommended.
 -  ● Children should not climb or jump on the furniture.
 -  ● Do not write on furniture without a padded barrier to protect the surface.
 -  ● To obtain the longest lifespan of your outdoor products, avoid extended and lengthy exposure to rain, snow, and direct sunshine. Whenever possible cover the product and /or place under patio or awnings.
 -  ● Not for commercial use. For residential use only .
 -  ● Stains may be removed with mild soap solution and damp cloth.
-
-  ● Dust and pick-up spills using a clean, non-colored, lint-free cloth .