

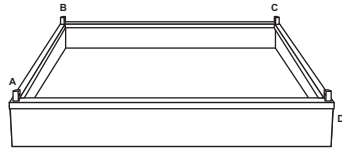
ASSEMBLY INSTRUCTIONS

Slim Side Table

X1



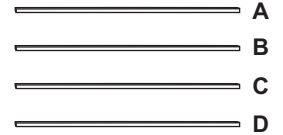
Allan Key



1 Pc Wood and Metal Top



1 Pc Metal Base



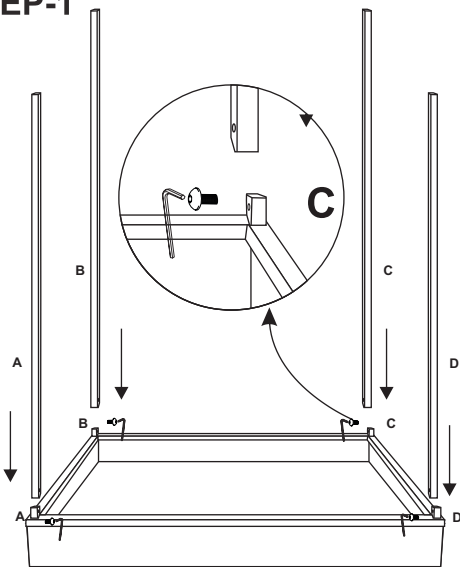
4 Pcs. Metal Legs

X8



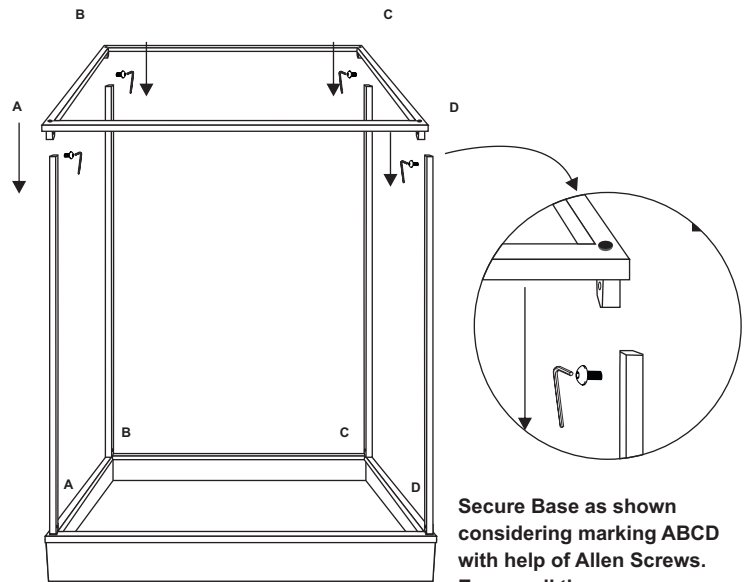
Allan Screws

STEP-1



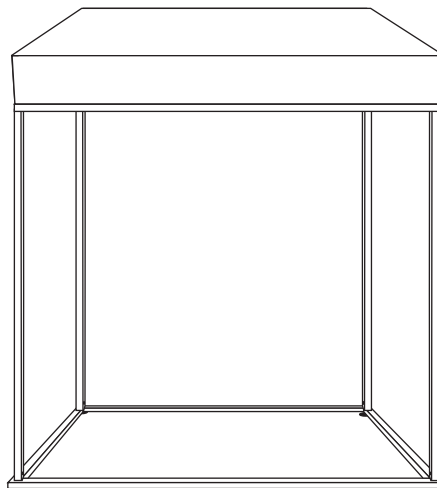
Secure All 4 Legs as shown considering marking ABCD with help of Allen Screws approx 50%.

STEP-2



Secure Base as shown considering marking ABCD with help of Allen Screws. Ensure all the screws are fully tightened

ASSEMBLED



Flip the Table and adjust the levellers if needed to balance on floor.