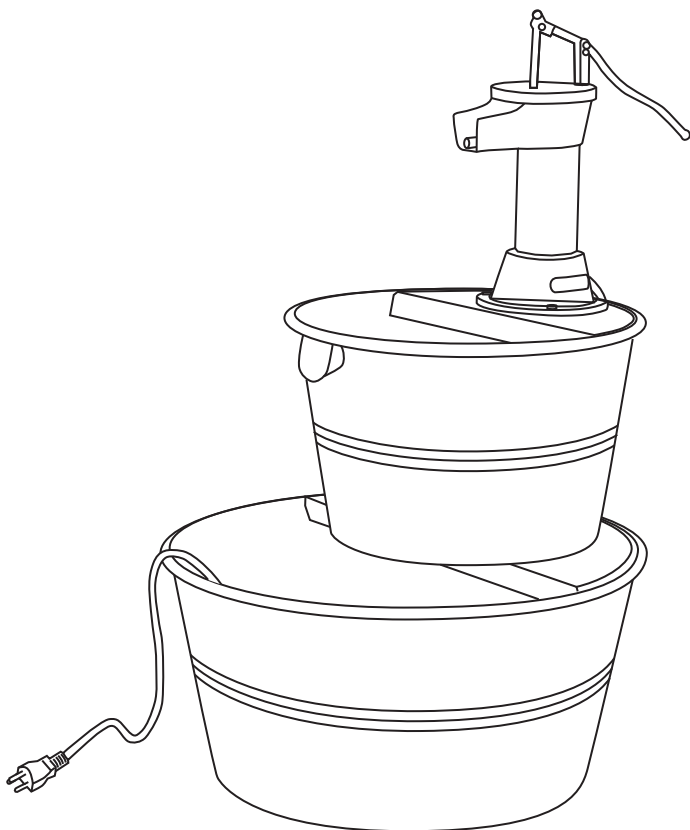

ASSEMBLY INSTRUCTION

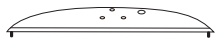
OUTDOOR FOUNTAIN WITH PUMP



Please carefully unpack and identify each component before beginning assembly. Before you begin, please refer to parts list to make sure that you have all parts. Please take care when assembling the unit and always place the parts on a clean, soft surface. If you require assistance with assembly or parts, please call

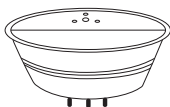
PARTS LIST

A



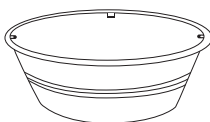
Qty: 1

B



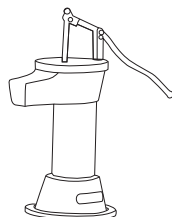
Qty: 1

C



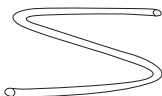
Qty: 1

D



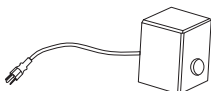
Qty: 1

E



Qty: 1

F



Qty: 1

G



Qty: 1

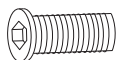
H



Qty: 1

HARDWARE LIST

I



Qty: 4

J



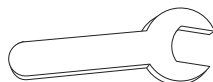
Qty: 4

K



Qty: 1

L

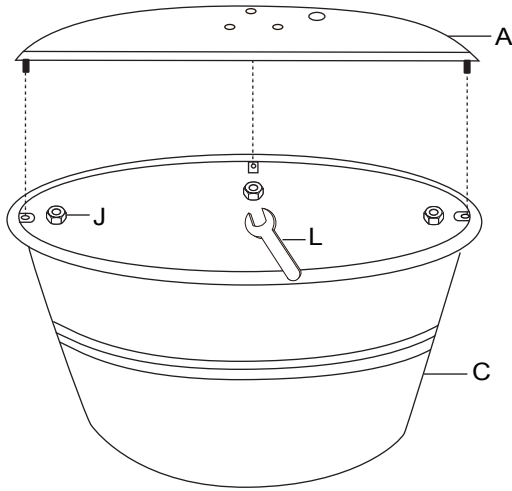


Qty: 1

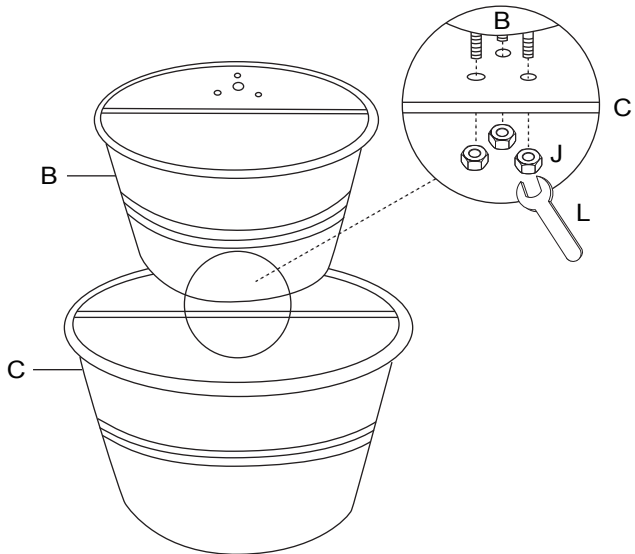
ASSEMBLY INSTRUCTION

IT'S BEST TO CHOOSE A LOCATION WHERE RAIN CHAINS CAN LEAD TO LANDSCAPED AREAS, RAIN BARREL AND WHERE OVERFLOW CAN BE DIVERTED FROM FOUNDATIONS.

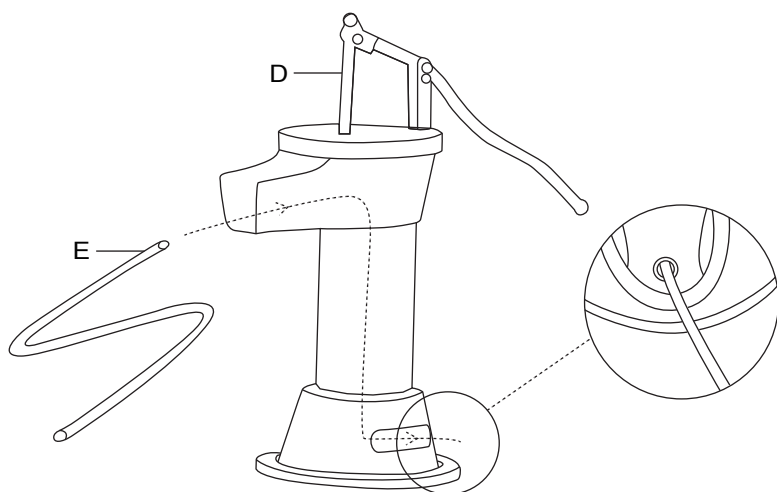
STEP 1



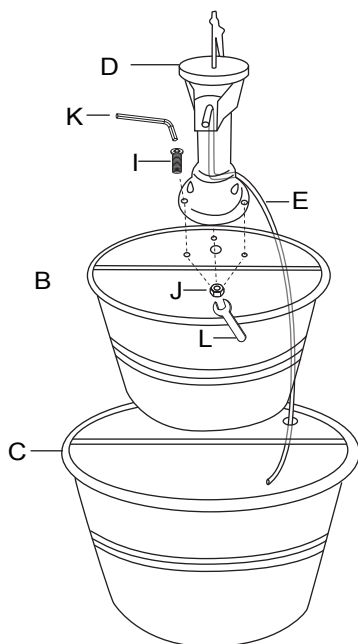
STEP 2



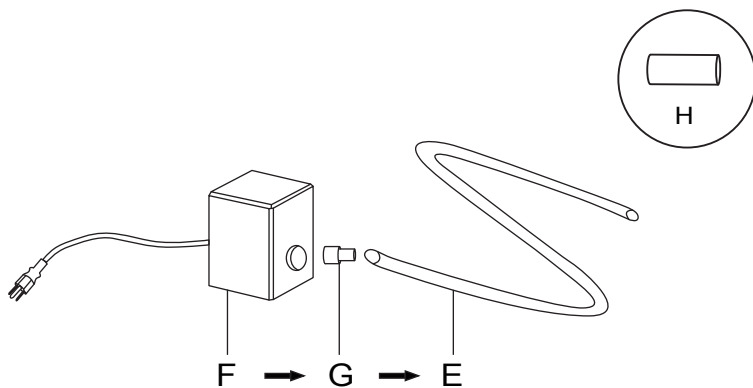
STEP 3



STEP 4



STEP 5



Caution: The part of "H" is an additional spare part to adapt to other flexible hoses on the market, which is not available for our hose.

STEP 6

