

>>assembly instructions



Congratulations on your latest HomePop purchase.

Now what? Don't start sweating over this box of parts. This will be easy. We did the hard work for you. All you need to do is follow our simple instructions and you'll be on your way to transforming your room in no time. Good luck --though we're confident you won't need it.

before you begin

1. Check for damaged or missing parts. Customers can email service to order missing supplies.
2. Use the carton as a working surface to prevent product damage during assembly.
3. Gather all tools prior to assembly.

table of contents

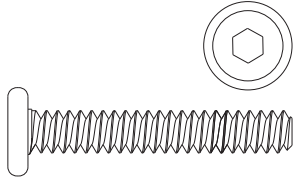


introduction	2
hardware	4
parts list	5
assembly	6-9

hardware

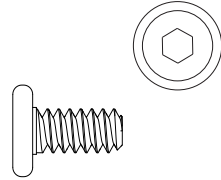
(A) x 4

1/4" x 35mm
round hex screw



(B) x 16

Φ 6mm x 12mm
round hex screw



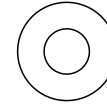
(C) x 4

Φ 6mm lock washer



(D) x 4

Φ 13mm flat washer



(E) x 1

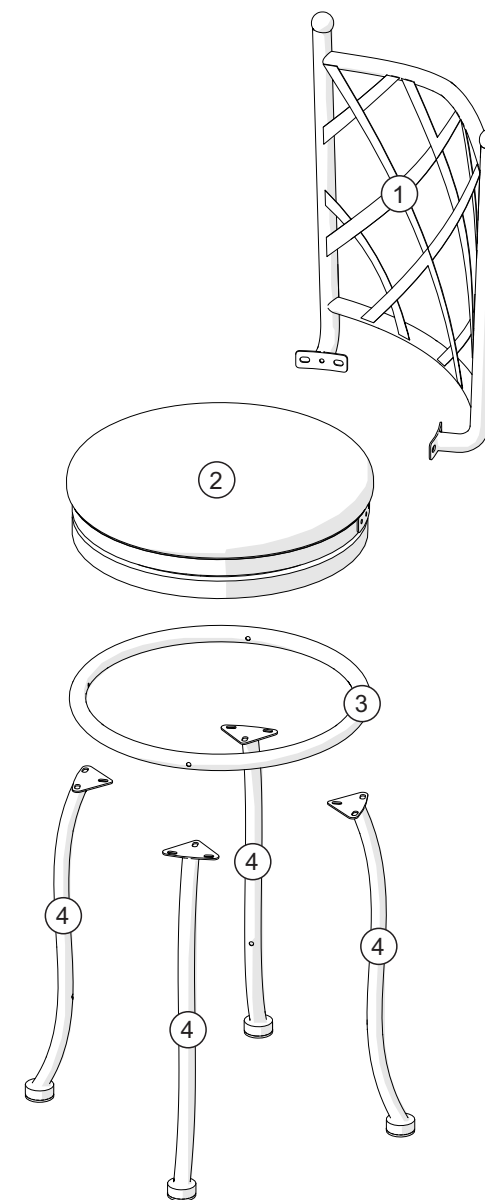
4mm Ball end
Hex wrench



ITEM DESCRIPTION QUANTITY

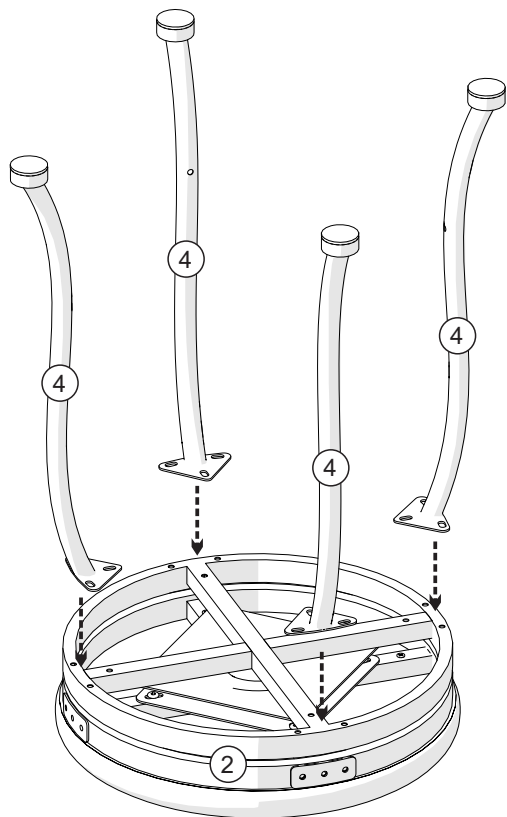
.....

①	chair back	1
②	seat cushion	1
③	bottom	1
④	leg	4



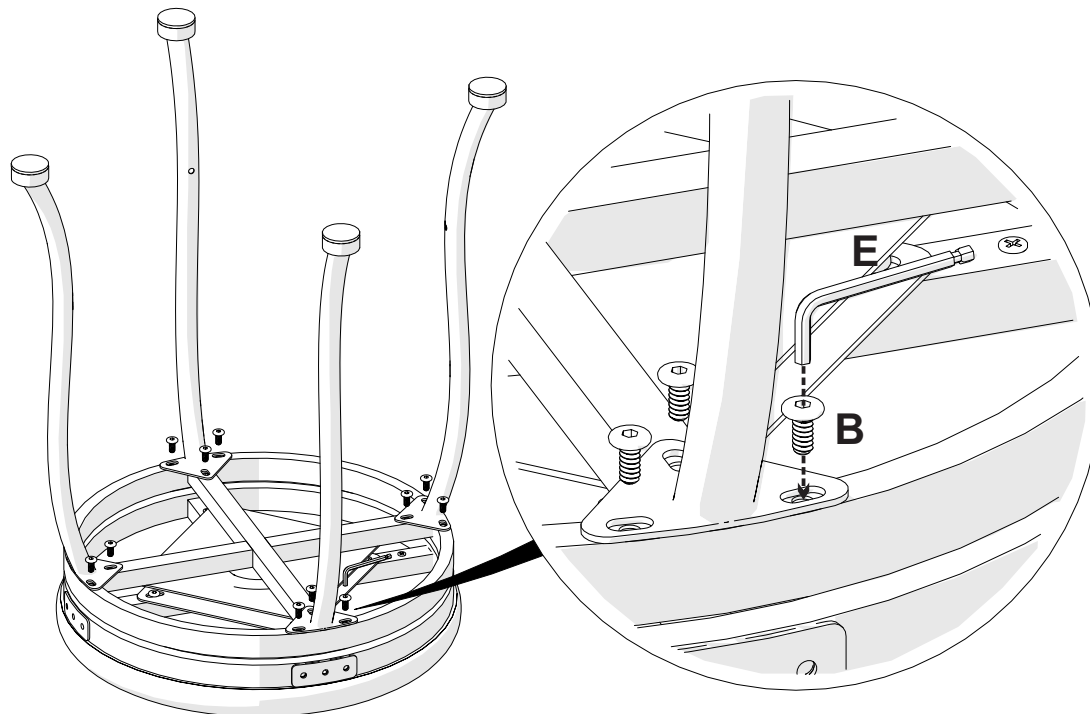
step 1.

1



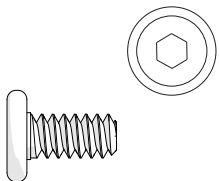
2

Do not tighten these 12 bolts until the next step.



(B) x 12

Φ 6mm x 12mm
round hex screw



(E) x 1

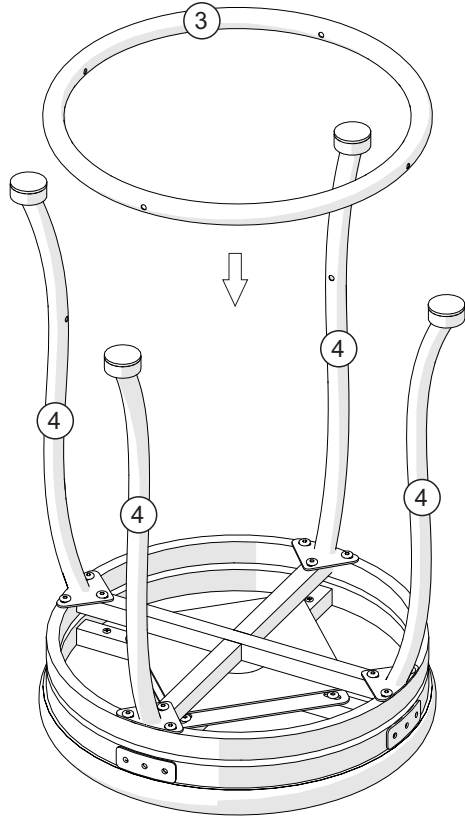
4mm Ball end
Hex wrench



Please do not assemble with power tools

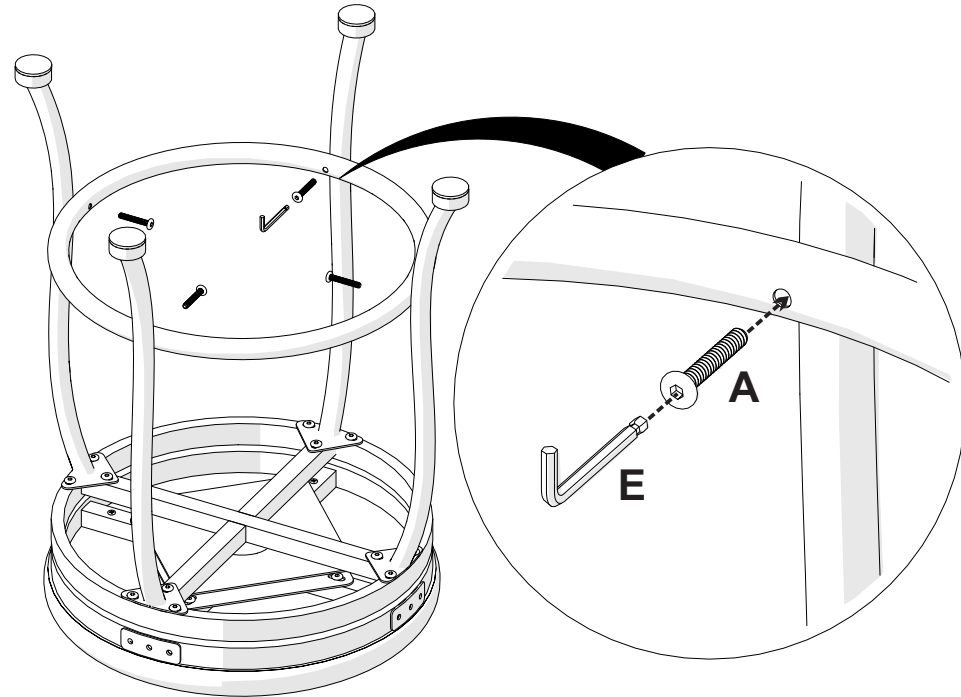
step 2.

1



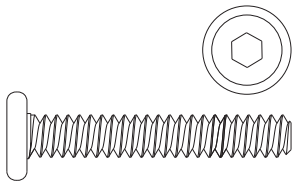
2

Now you may tighten all 16 bolts.



(A) x 4

1/4" x 35mm
round hex screw



(E) x 1

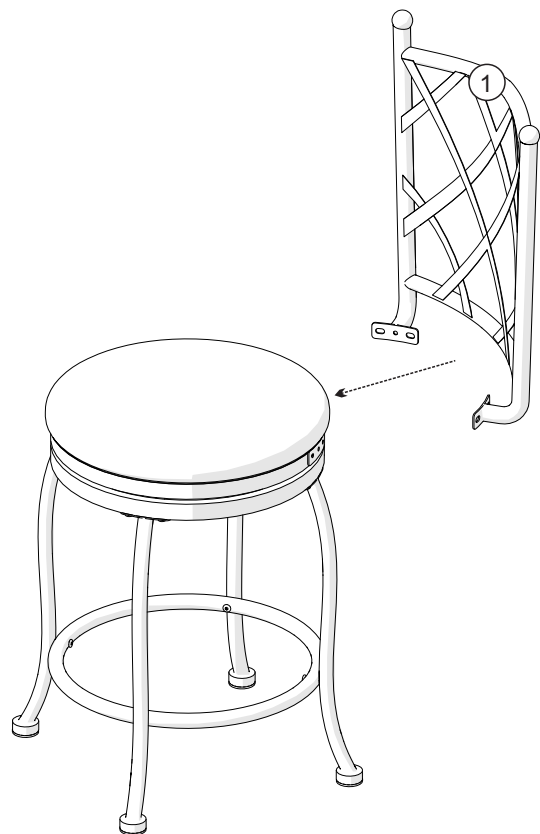
4mm Ball end
Hex wrench



Please do not assemble with power tools

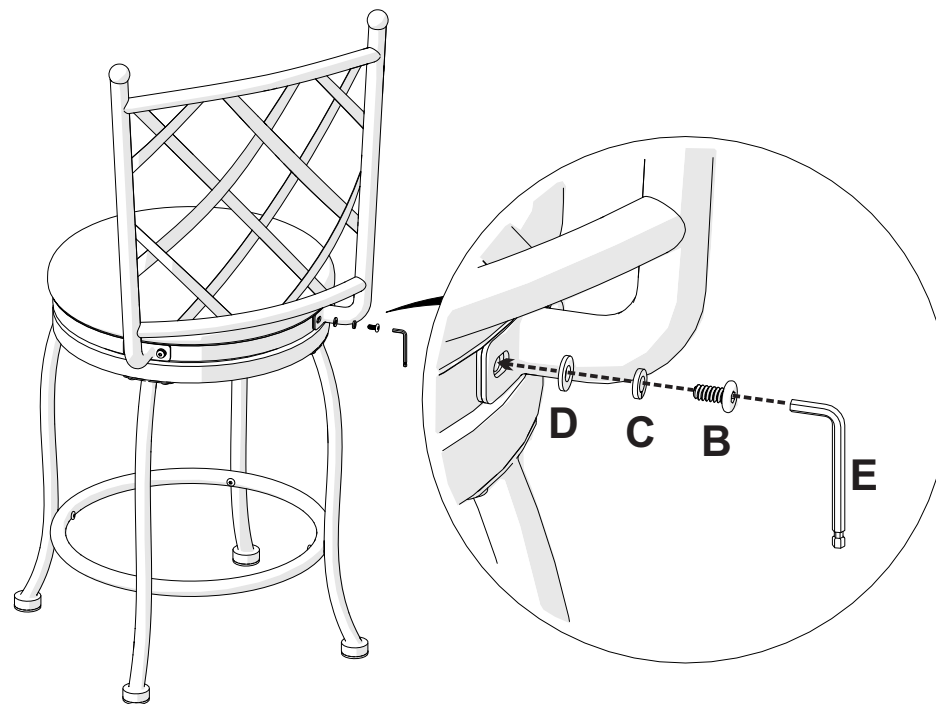
step 3.

1



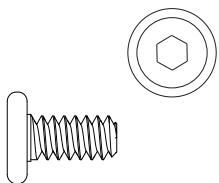
2

Now you may tighten all 4 bolts.



(B) x 4

Φ 6mm x 12mm
round hex screw



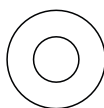
(C) x 4

Φ 6mm lock washer



(D) x 4

Φ 13mm flat washer



(E) x 1

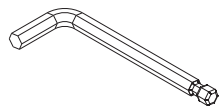
4mm Ball end
Hex wrench



Please do not assemble with power tools

step 4.

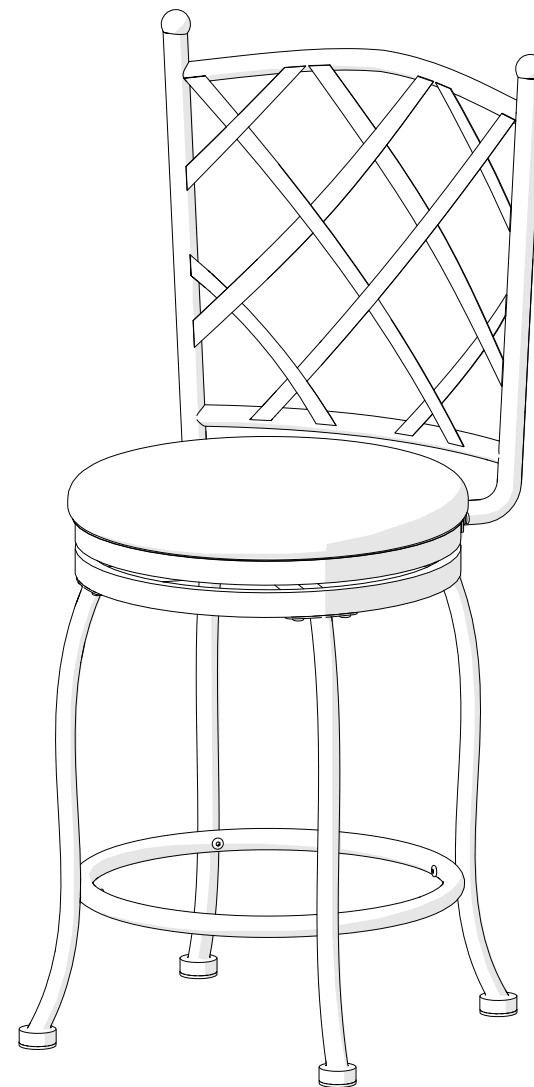
A friendly reminder from us:



Please keep the Allen wrench.

After a period of time, there may be a chance the KD furniture may become loose, please use an Allen wrench to tighten the loose bolts.

Put the chair right and check whether the chair has been well assembled. If it is not assembled, loosen the screw and tighten it on the ground.



Level the furniture, use leveling feet if needed.