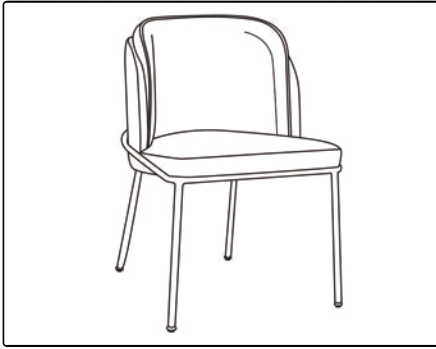


# ASSEMBLY INSTRUCTIONS

meridian.  
furniture

## SKU - 882 883 CHAIR



### + Do Not Use Power Tools



### + Suggested Adults



**NOTE:** For questions about parts or assembly please email [support@meridianfurnitureusa.com](mailto:support@meridianfurnitureusa.com) or call us at 718-758-4455.

- 1 Read instructions cover to cover.
- 2 Save all packaging until assembly is completed.

### 1 IMPORTANT SAFETY INFORMATION

**Do not** assemble the product if any of the following parts arrived damaged:

- Part1 -seat
- Part2 -leg

**Do not** assemble if any of the following Hardware parts are missing:

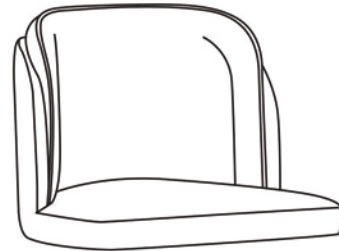
- PartA -Short Bolt
- PartB -Long Bolt
- PartC -Washer
- PartD -Allen Key

### 2 IMPORTANT ASSEMBLY INFORMATION

**Assembly Step** If loosening persists, please make sure to tighten all the bolts periodically, or use a thread locker adhesive.

### + Parts Included

- ① seat  
(1 of pcs)



- ② leg  
(1 of pcs)



### + Hardware Included

- A Short Bolt  
(2 of pcs)



- B Long Bolt  
(2 of pcs)



- C Washer  
(4 of pcs)



- D Allen Key  
(1 of pcs)

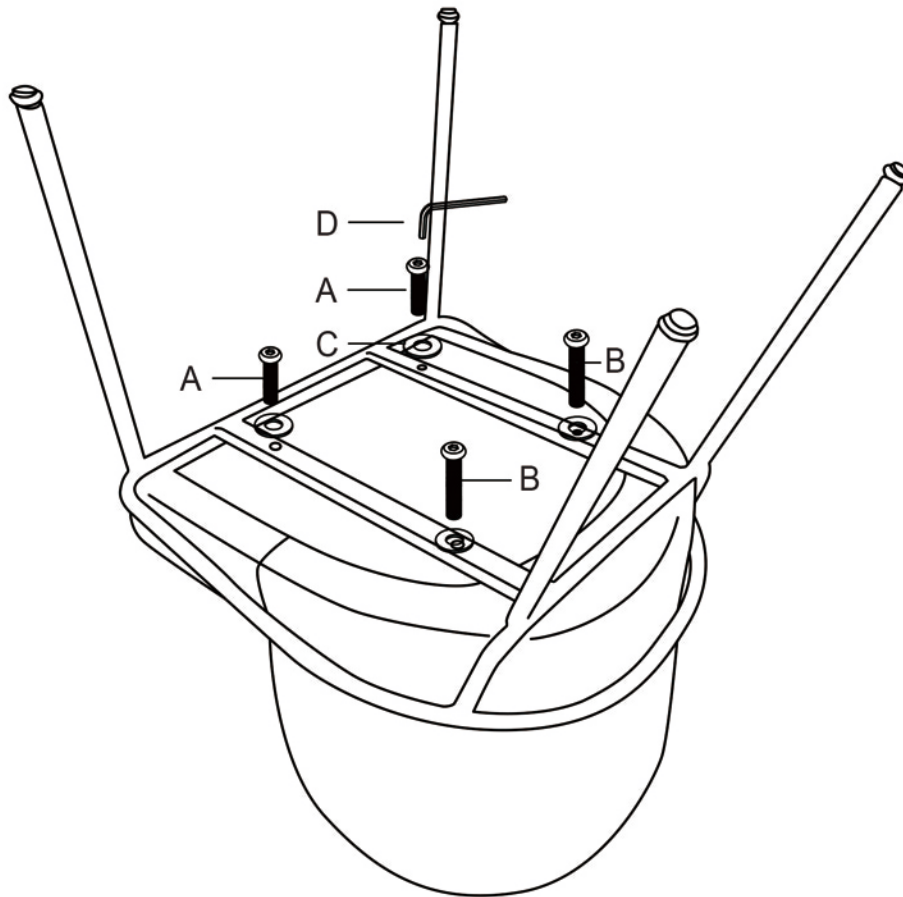


# ASSEMBLY INSTRUCTIONS

SKU 882 883 CHAIR

meridian.  
furniture

1



**NOTE:** For questions about parts or assembly please email [support@meridianfurnitureusa.com](mailto:support@meridianfurnitureusa.com) or call us at 718-758-4455.

[www.MeridianFurnitureUSA.com](http://www.MeridianFurnitureUSA.com) | [support@meridianfurnitureusa.com](mailto:support@meridianfurnitureusa.com)