

Thank you for choosing a **Palace Imports** product.

Your complete satisfaction is our top priority.

Customer Service and Warranty Information

- **For Warranty Assistance:**

If you experience any issues or require additional information regarding your warranty, please do not contact the place of purchase. Instead, reach out directly to our Customer Service Team at info@palaceimportsinc.com or visit our website at www.palaceimportsinc.com for prompt support.

- **Warranty Coverage:**

PALACE IMPORTS warrants its products to the original purchaser against defects in materials or workmanship. A defect is defined as any flaw that impairs the normal use of the product. This warranty is limited to the replacement of defective parts or components and is valid for one (1) year from the date of purchase.

- **Warranty Limitations:**

This warranty covers products used under normal household conditions. It does not apply to furniture used outdoors or damage resulting from improper assembly or disassembly, product modification, intentional damage, accidents, misuse, exposure to elements, or any labor or assembly costs.

- **Additional Terms:**

PALACE IMPORTS reserves the right to require proof of purchase to process any warranty claim. We are not liable for any incidental or consequential damages arising from the misuse of our products.

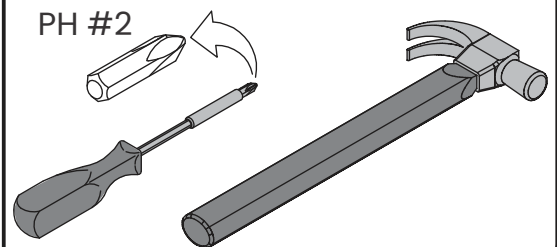
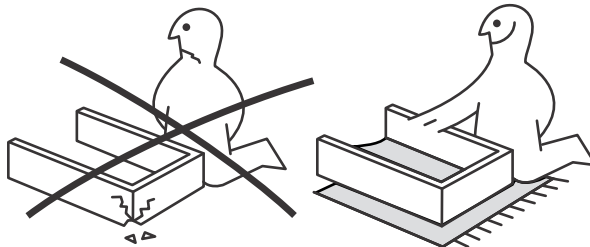
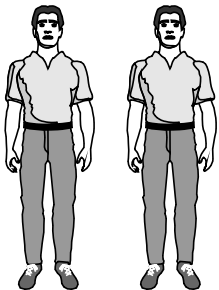
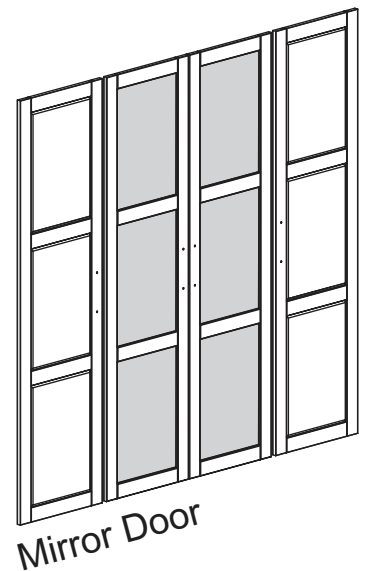
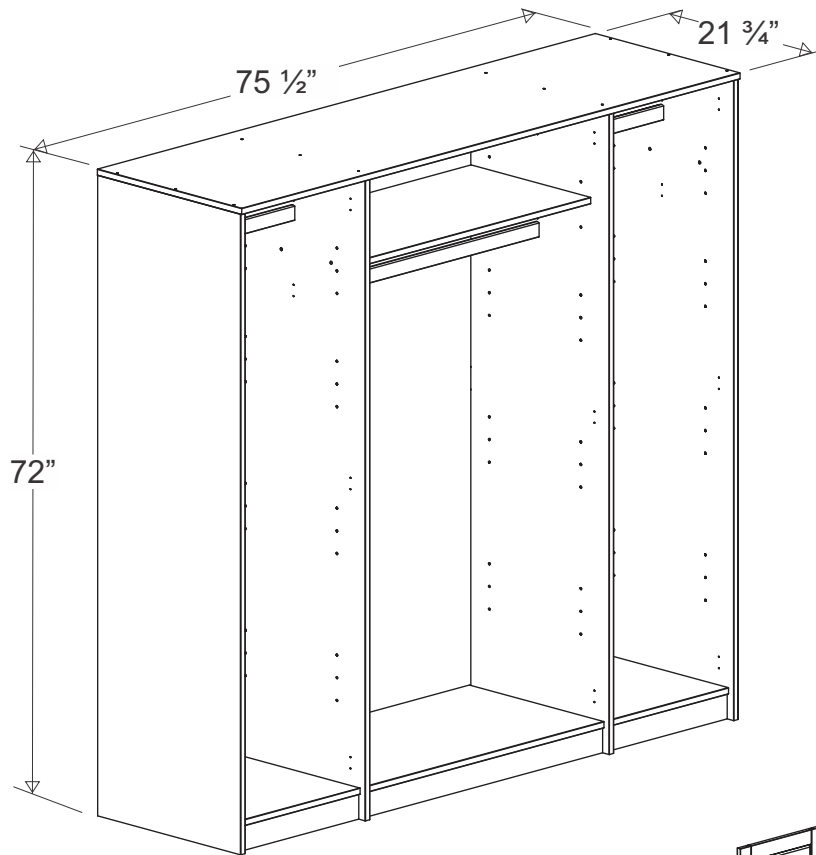


ASSEMBLY GUIDE

URBAN 4-DOOR WARDROBE

Compliant with Federal Law STURDY Act (Stop Tip-overs of Unstable, Risky Dressers on Youth). Passed 16 CFR 1262, ASTM F2057-23 Tests.

SKU 7141D - Raised Panel Doors / SKU 7141M - Mirrored Doors - White
SKU 7145D - Raised Panel Doors / SKU 7145M - Mirrored Doors - Gray
SKU 7147D - Raised Panel Doors / SKU 7147M - Mirrored Doors - Black



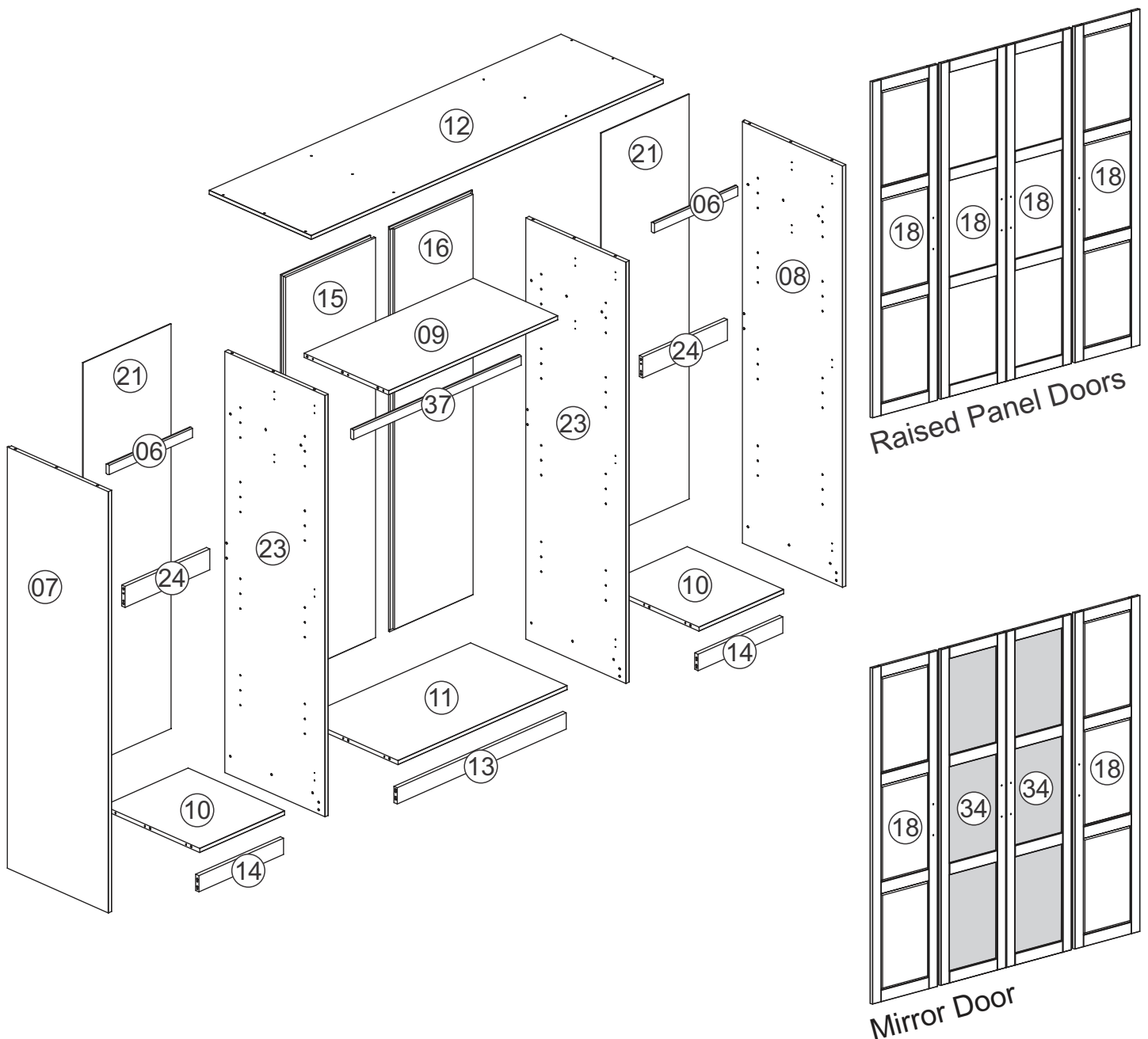
Before You Begin Assembly

- Carefully inspect the package contents. A complete parts checklist is provided below.
- If any parts are missing or damaged, please contact us at info@palaceimportsinc.com for assistance.


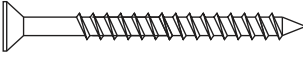
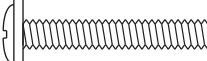
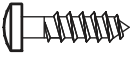

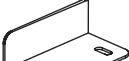



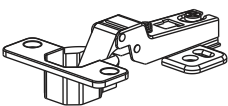
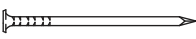
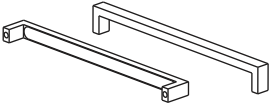
Assembly Tips


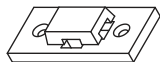

- Assemble the item on a flat, smooth surface. We recommend placing a blanket or protective covering underneath to prevent scratches.
- Use a power drill **only at a low-speed setting** to avoid damaging components.
- Assemble the product as close as possible to its final location to minimize the need for moving it later.
- Important: The hardware pack contains small parts that may pose a choking hazard.
Keep all small items out of reach of young children.

PARTS LAYOUT



Screws Are Illustrated at Actual Size for Accurate Reference

A1	 4,0x30	45+3
A16	 4,0x40	12+1
A25	 M4x25	08+1
A44	 3,5x14	74+4
C2	 8,0x25	56+3
D3	 45x27x12	03
D10		06
D27		10+1
D35	 50x13x1,2	02
F16		12
G1	 10x10	70
H12		04

TIPOVER RESTRAINT KIT		
A47	 3,0x20	02+1
F8	 47x20x9	02
F15	 300mm	01

WARNING:
CHOKING HAZARD

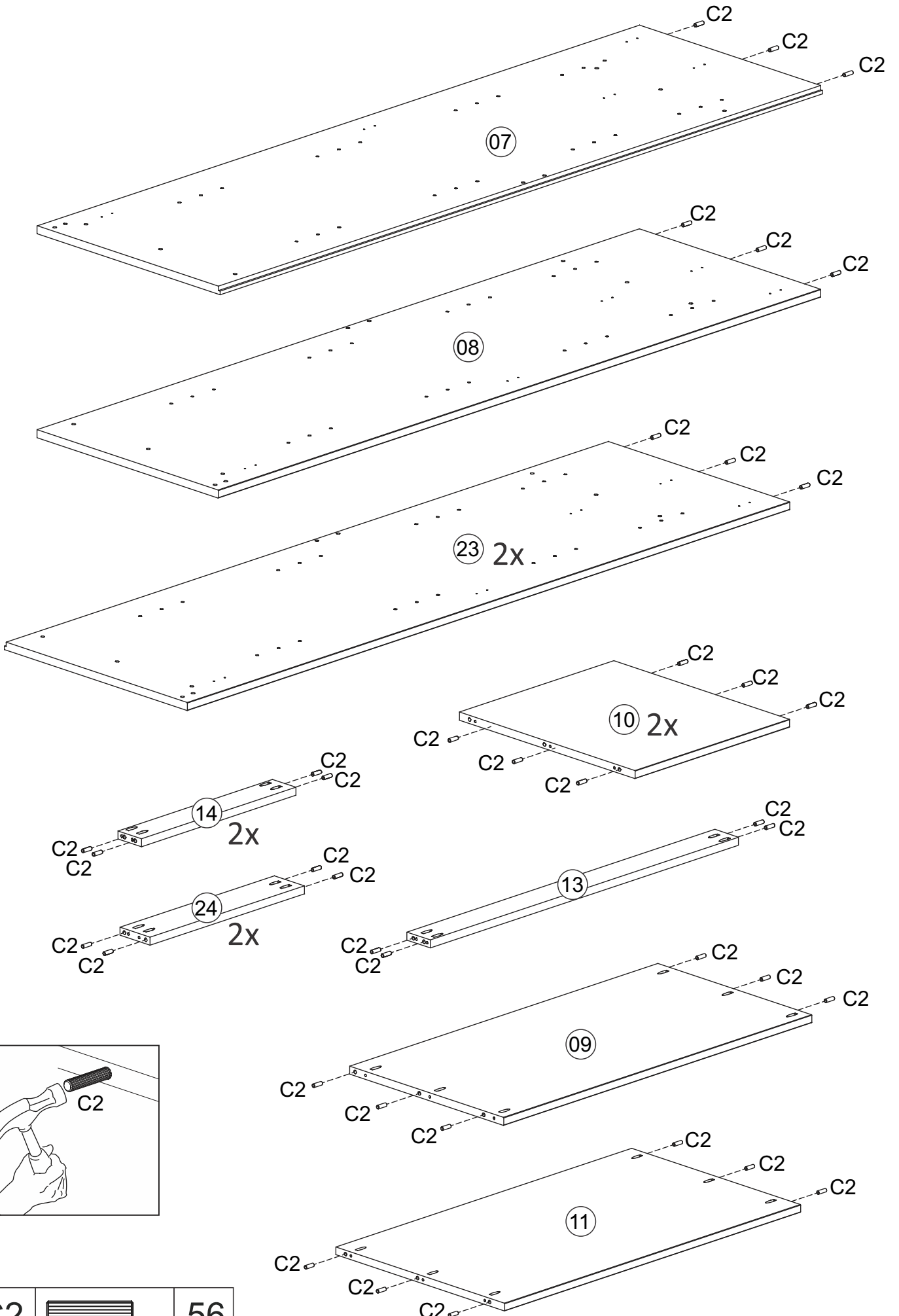
Contains small parts - choking hazard.
Adult supervision is required during assembly.
Not suitable for children under 3 years of age.


WARNING:

Important Safety Notice:

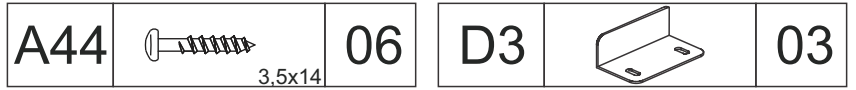
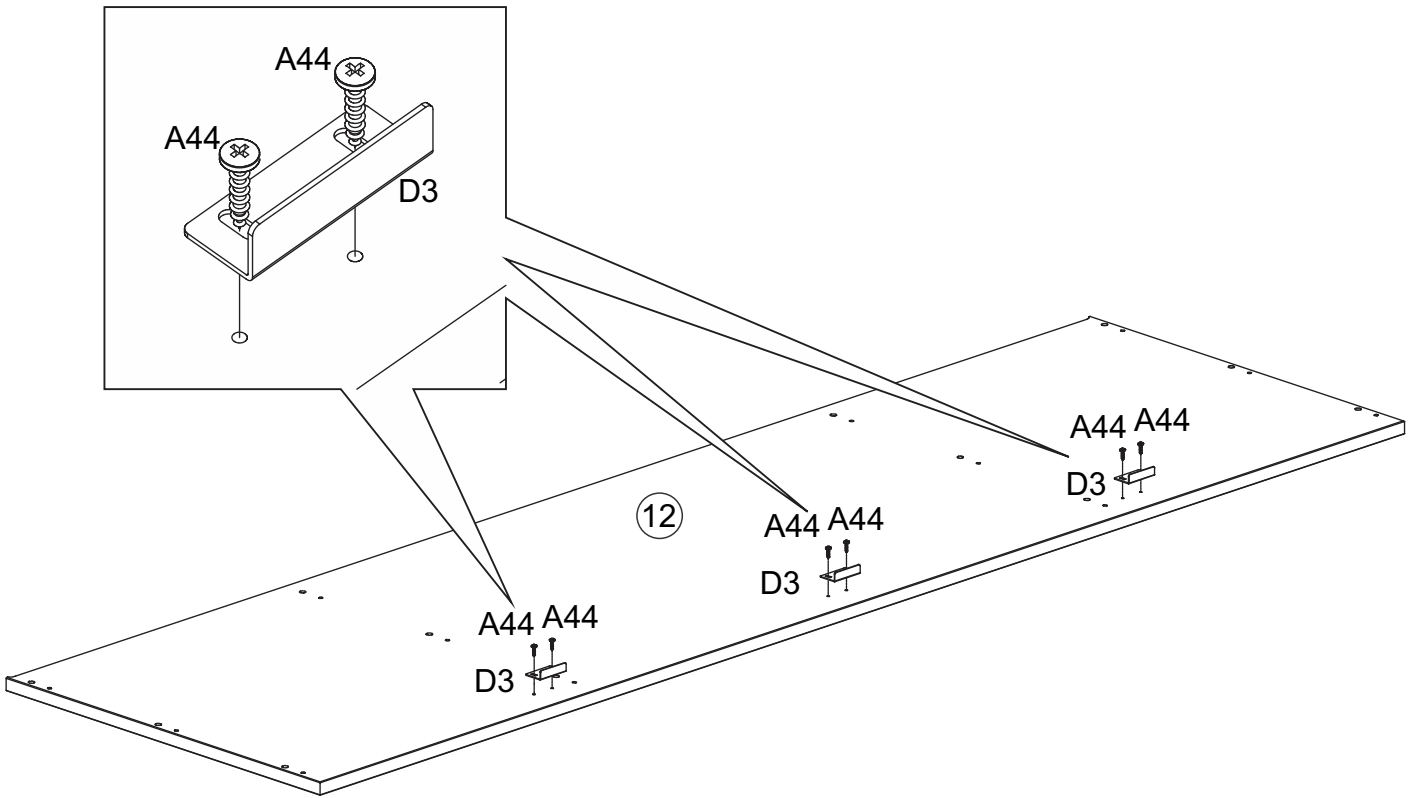
This furniture includes tip-over prevention hardware, which **MUST** be securely attached to the wall as outlined in the assembly instructions. Failure to do so may result in serious injury or death.

01)

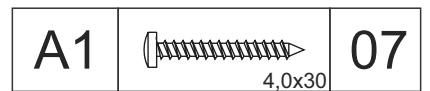
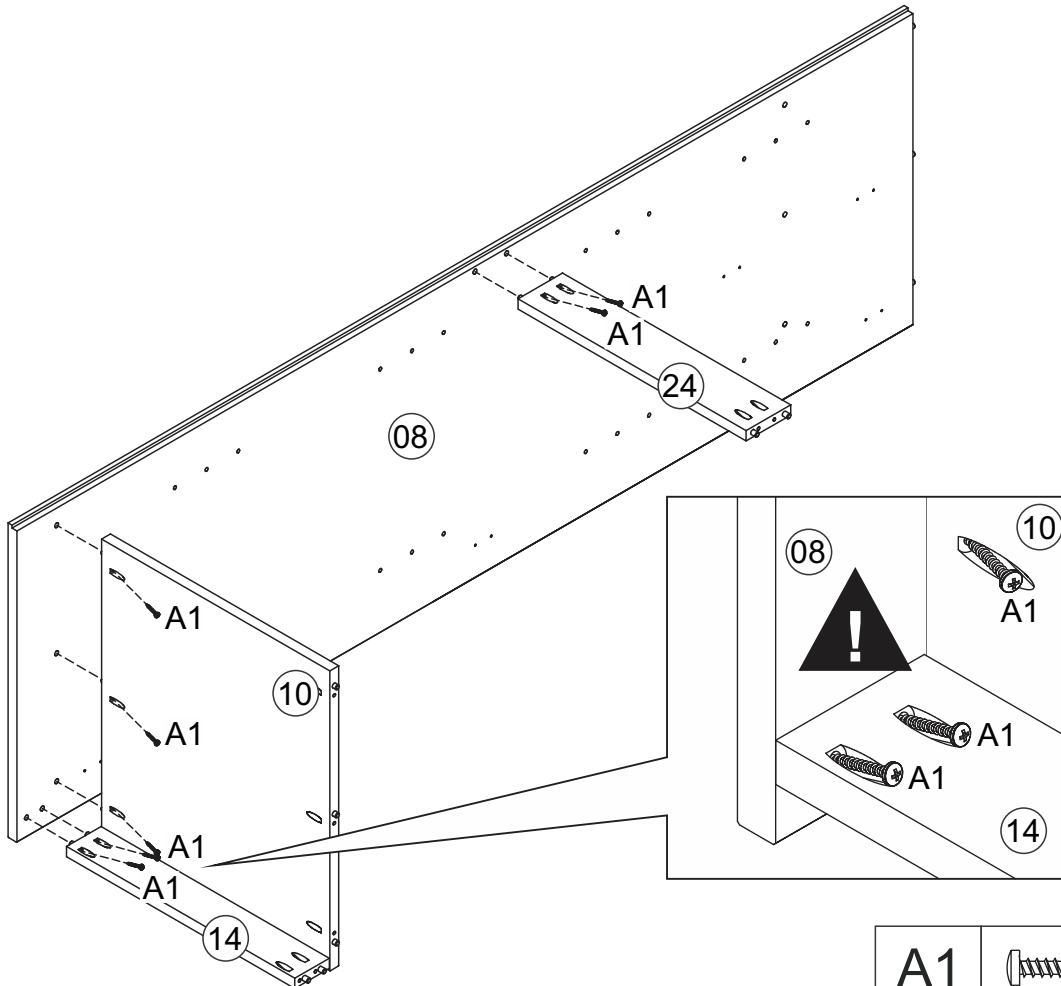


C2		56
	8,0x25	

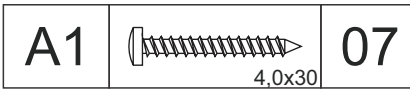
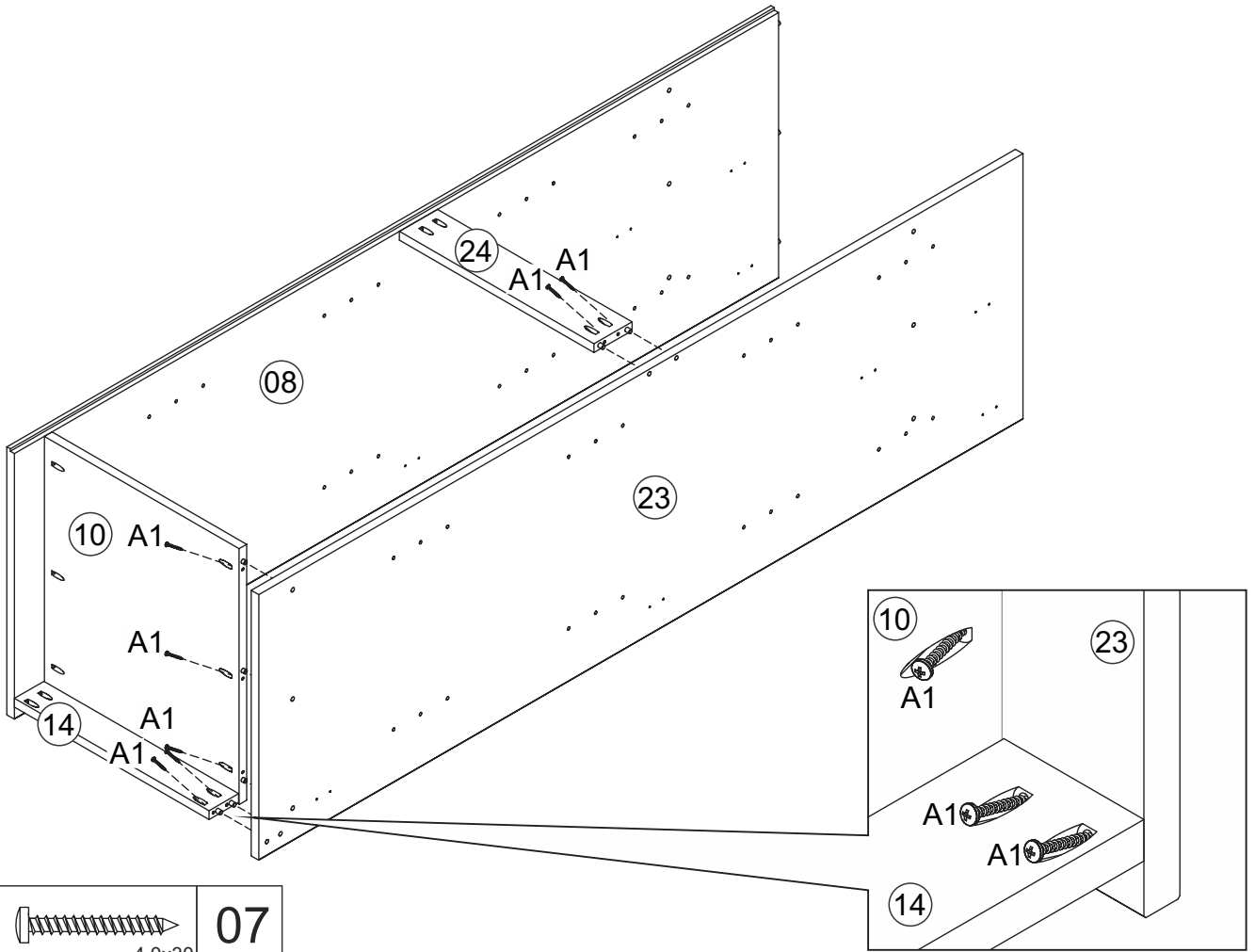
02)



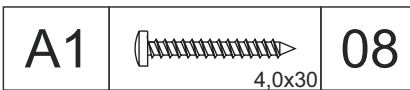
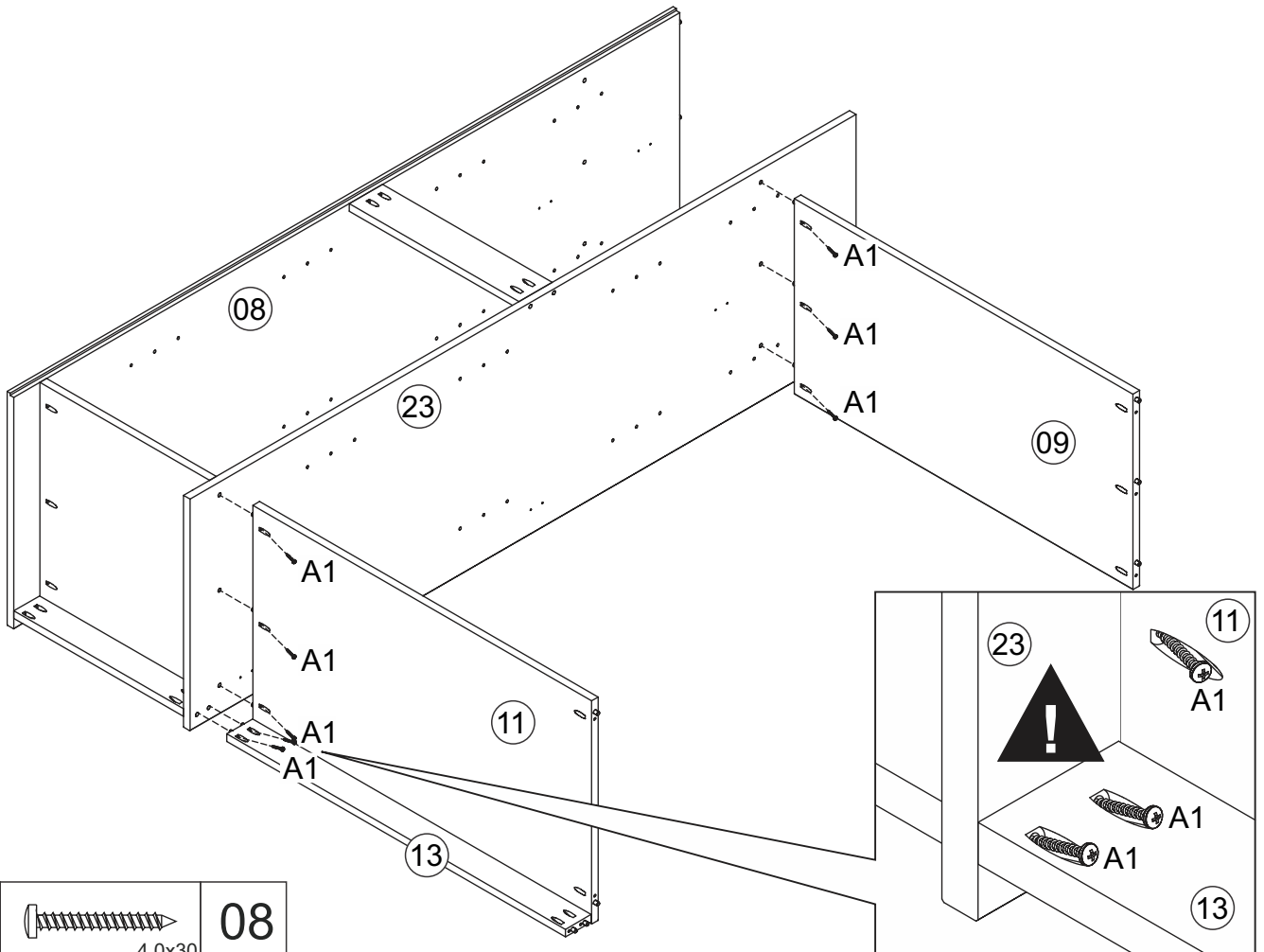
03)



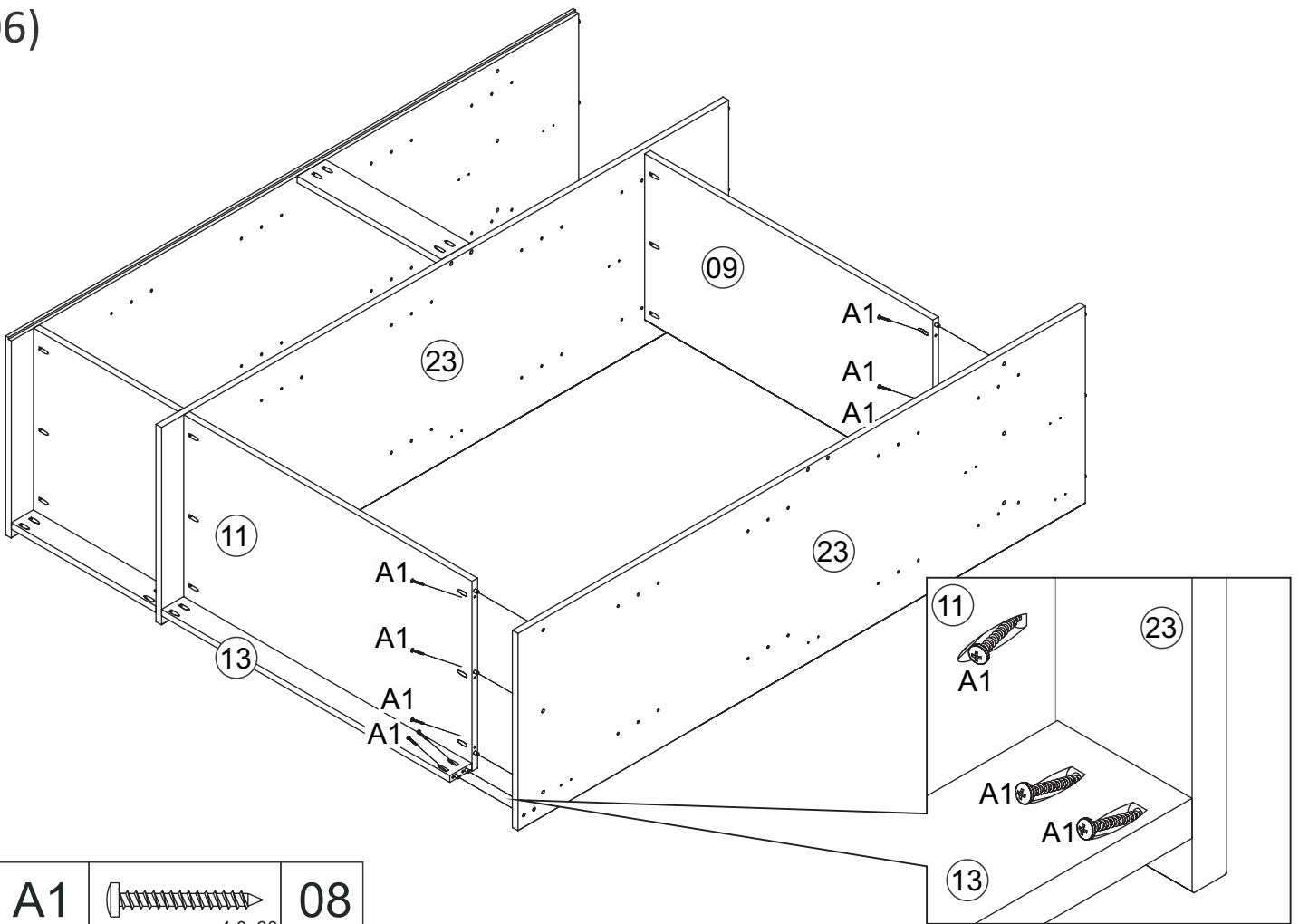
04)



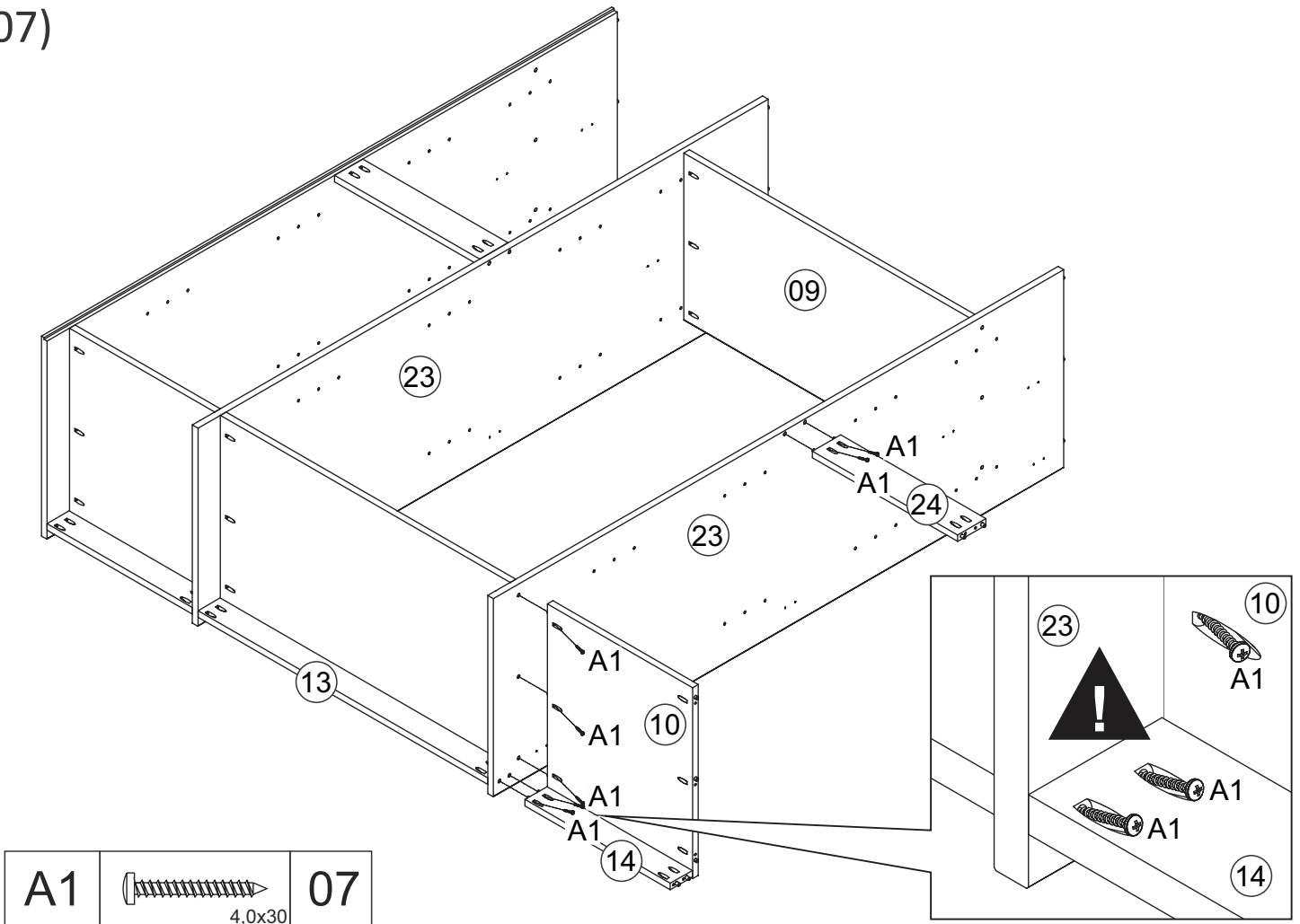
05)



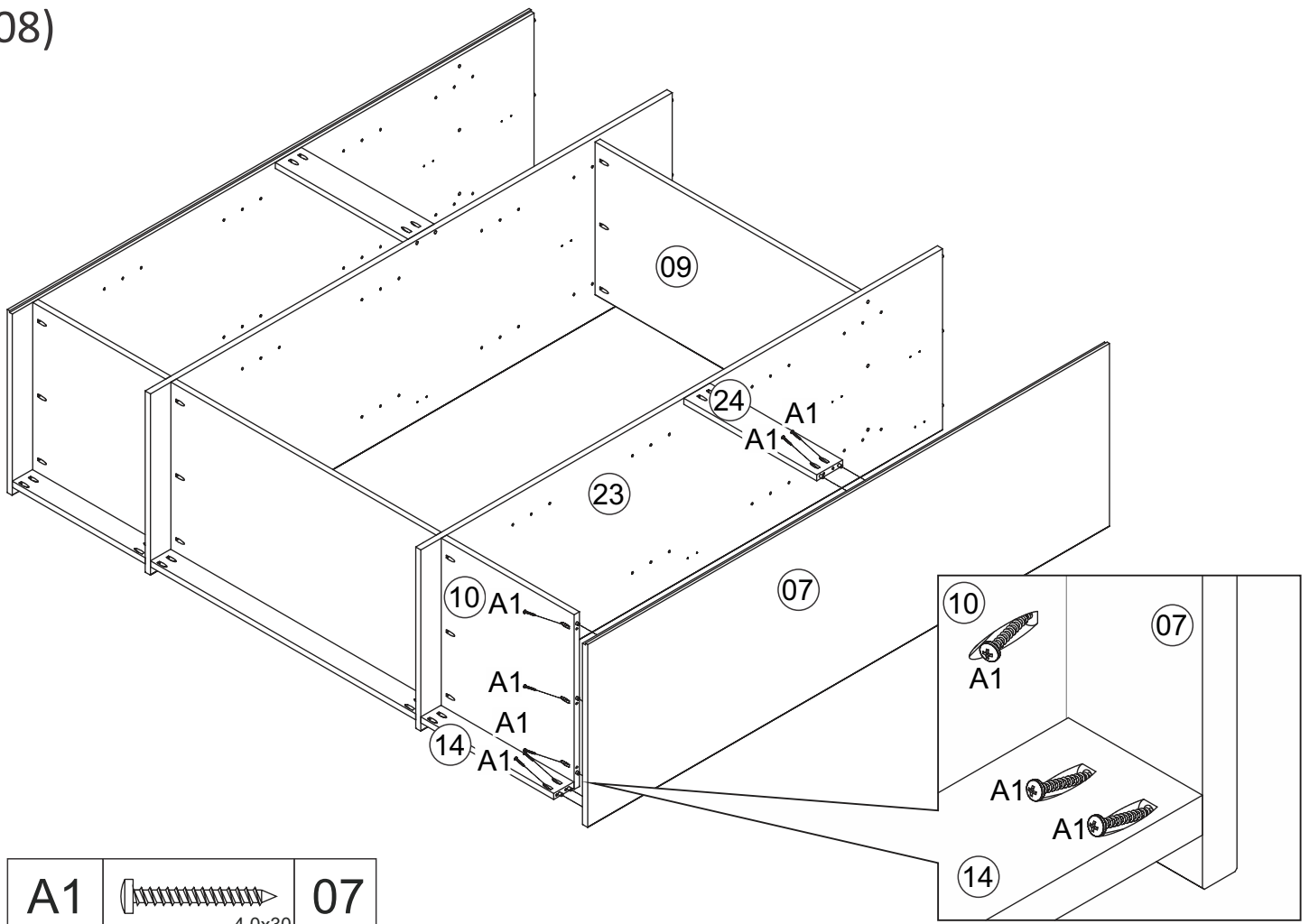
06)



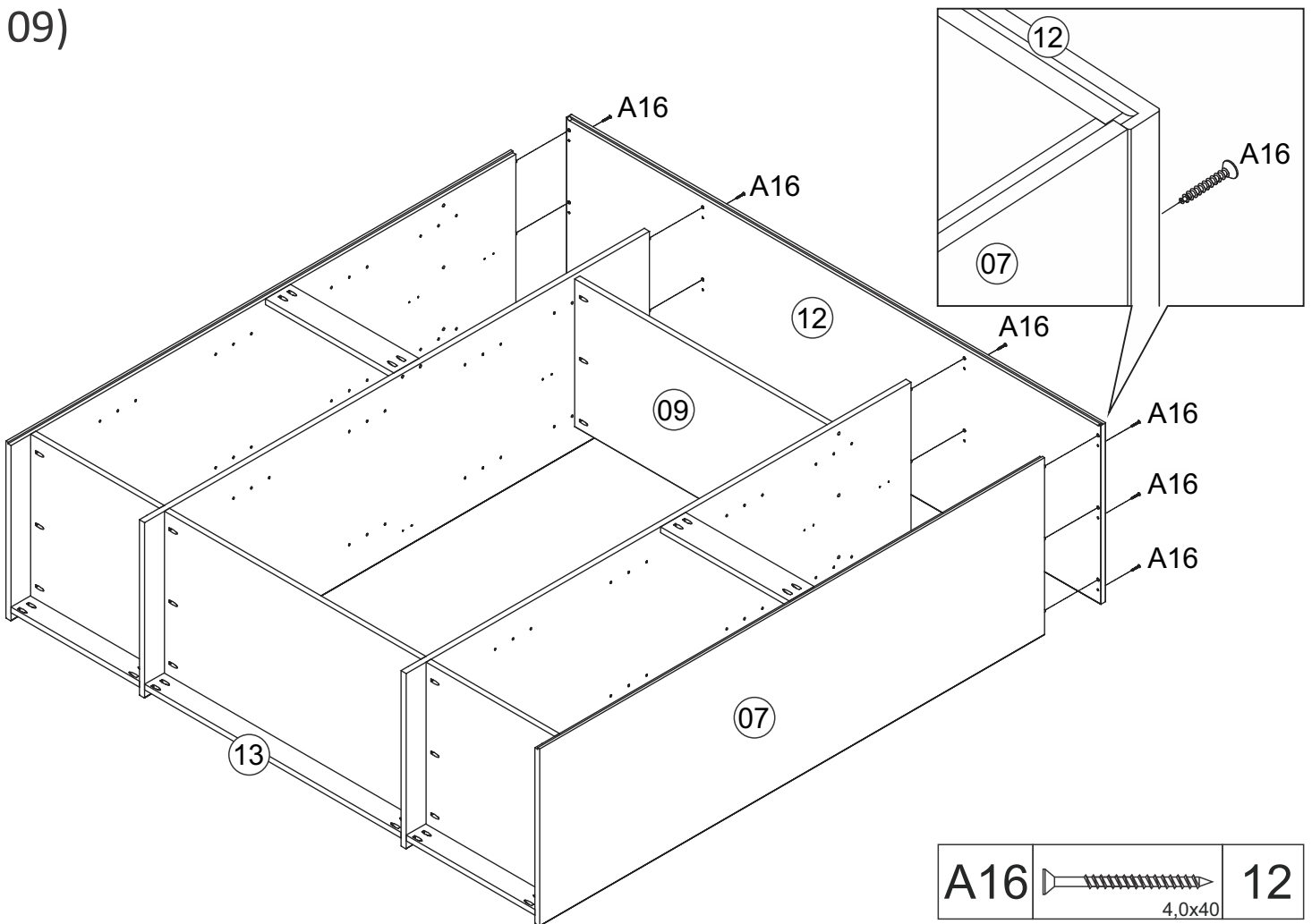
07)



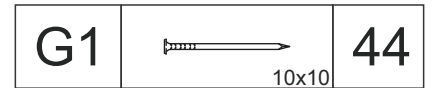
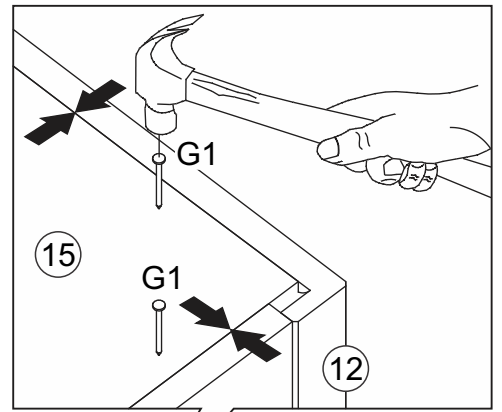
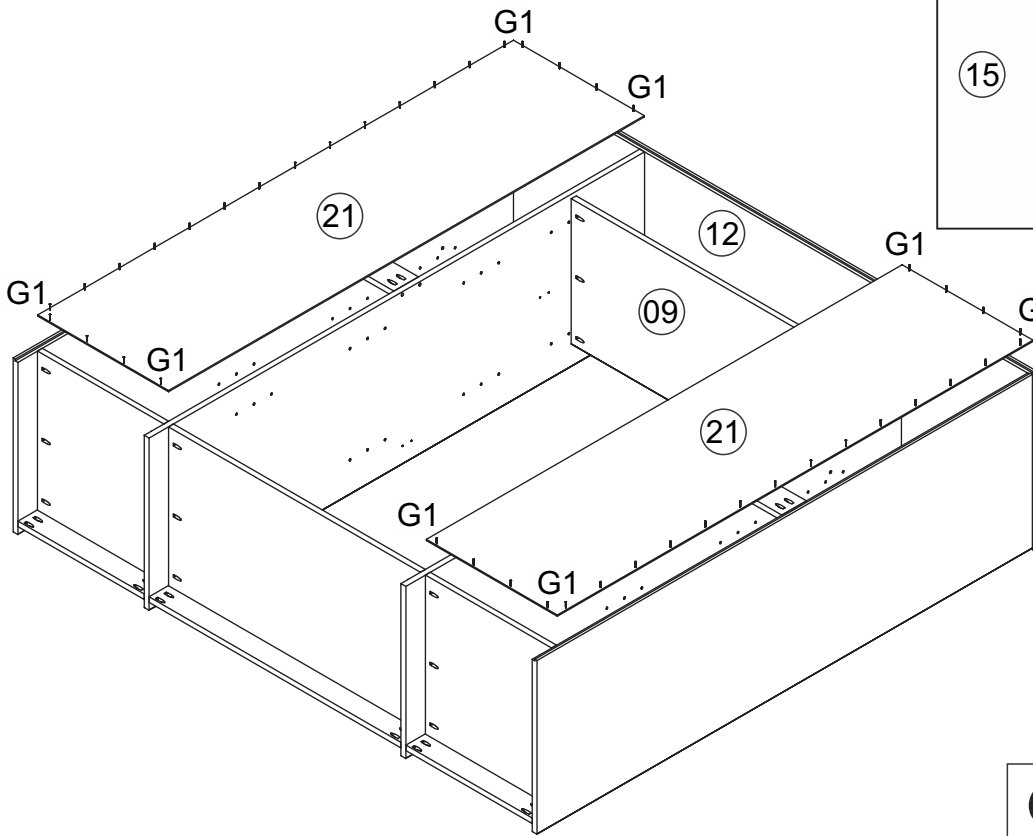
08)



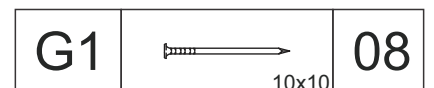
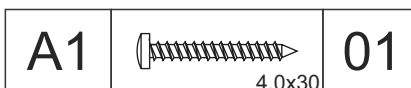
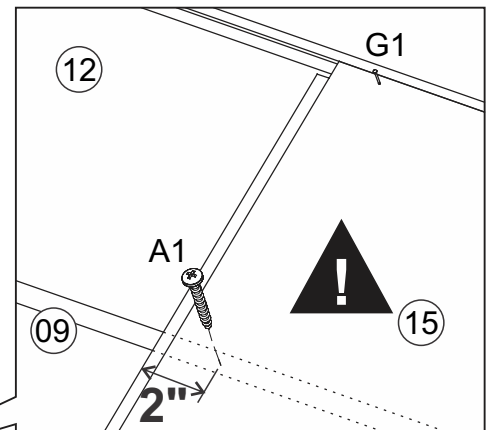
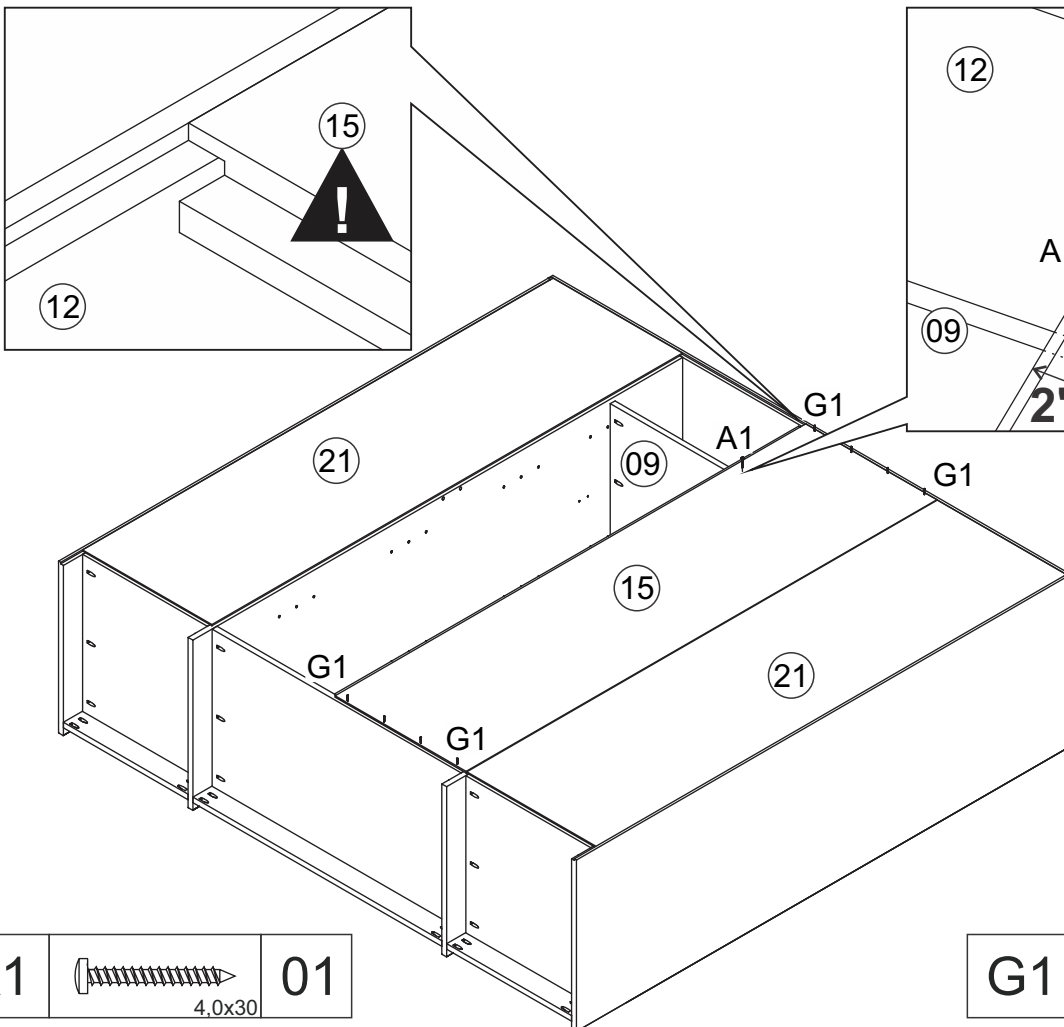
09)



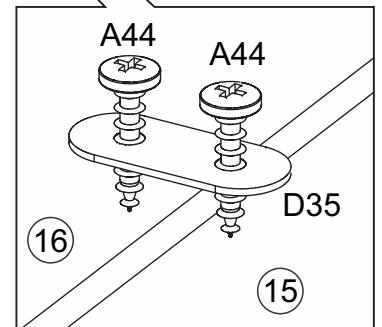
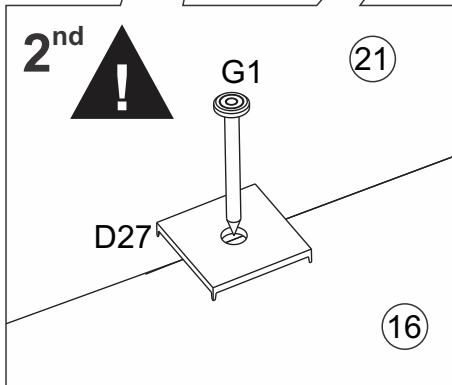
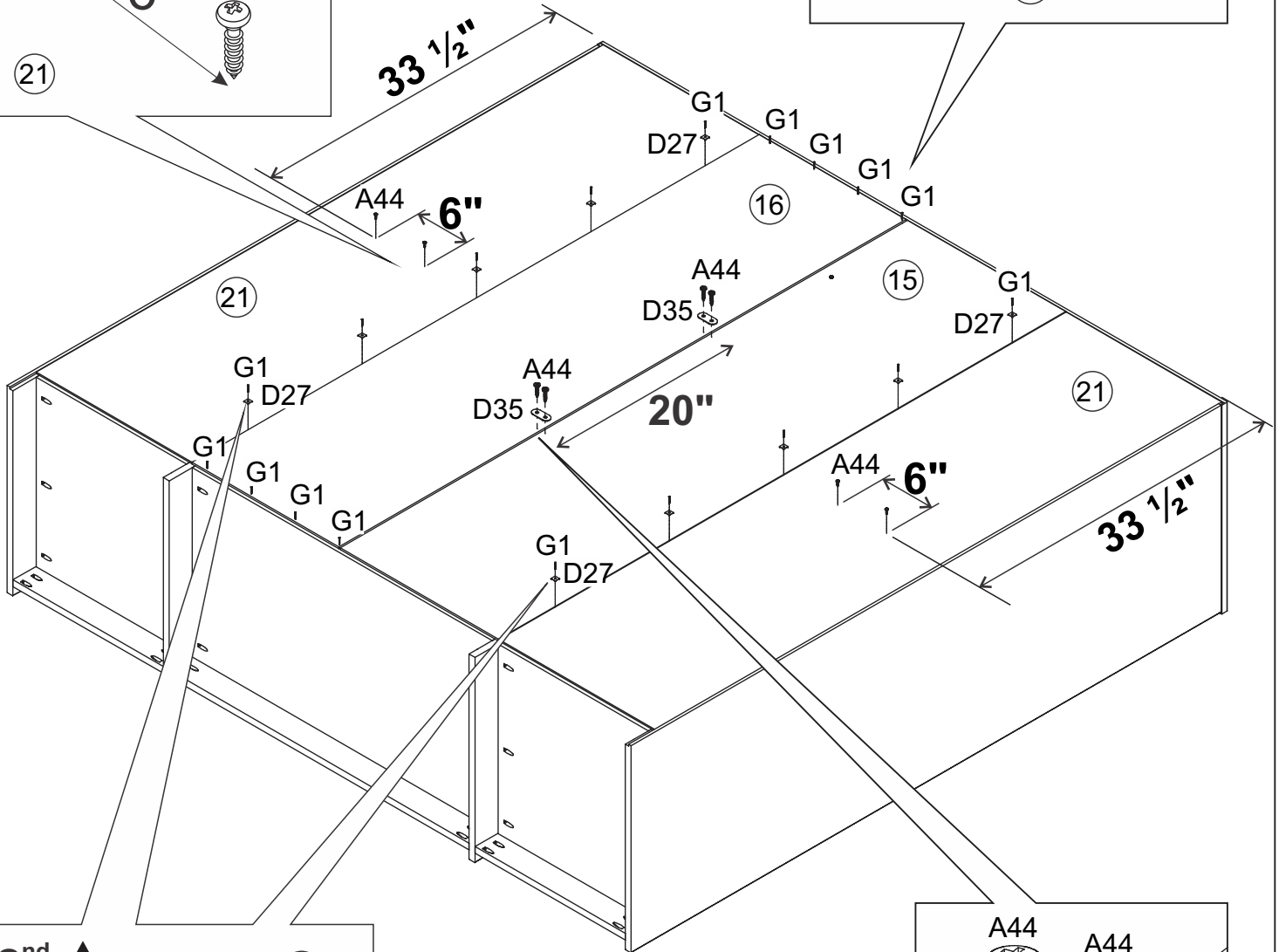
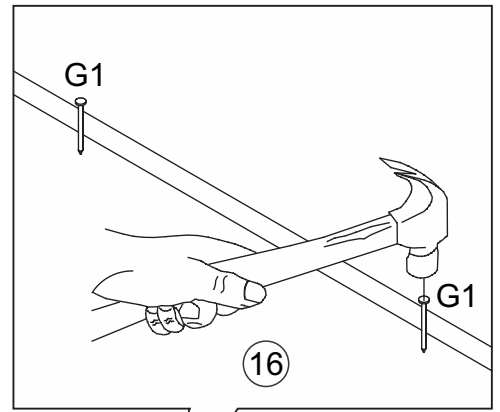
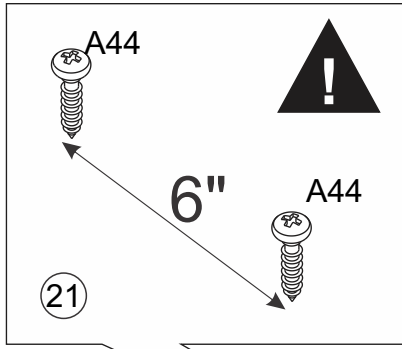
10)

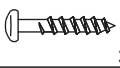




11)




12)

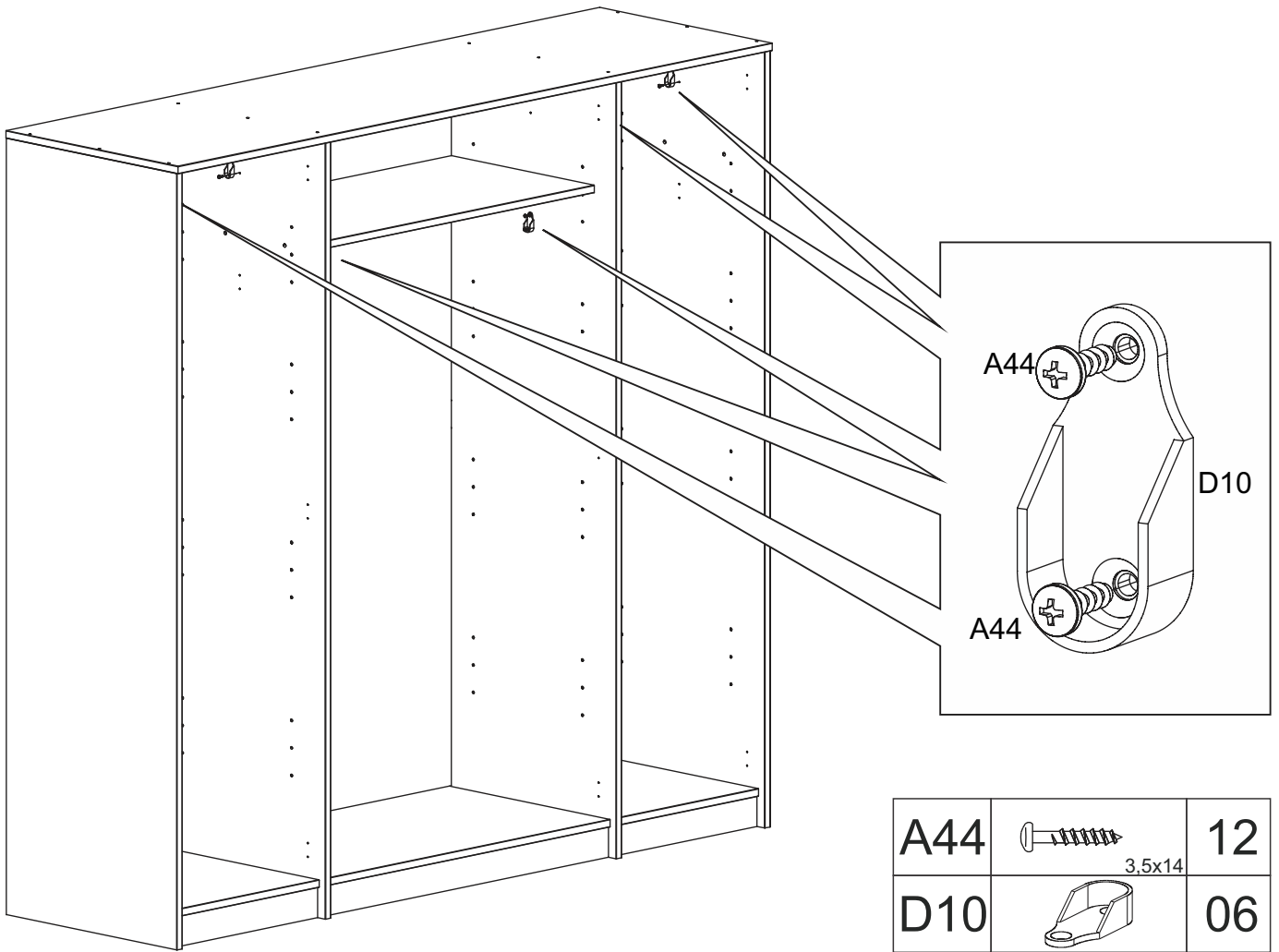


A44	 3.5x14	08
D27		10

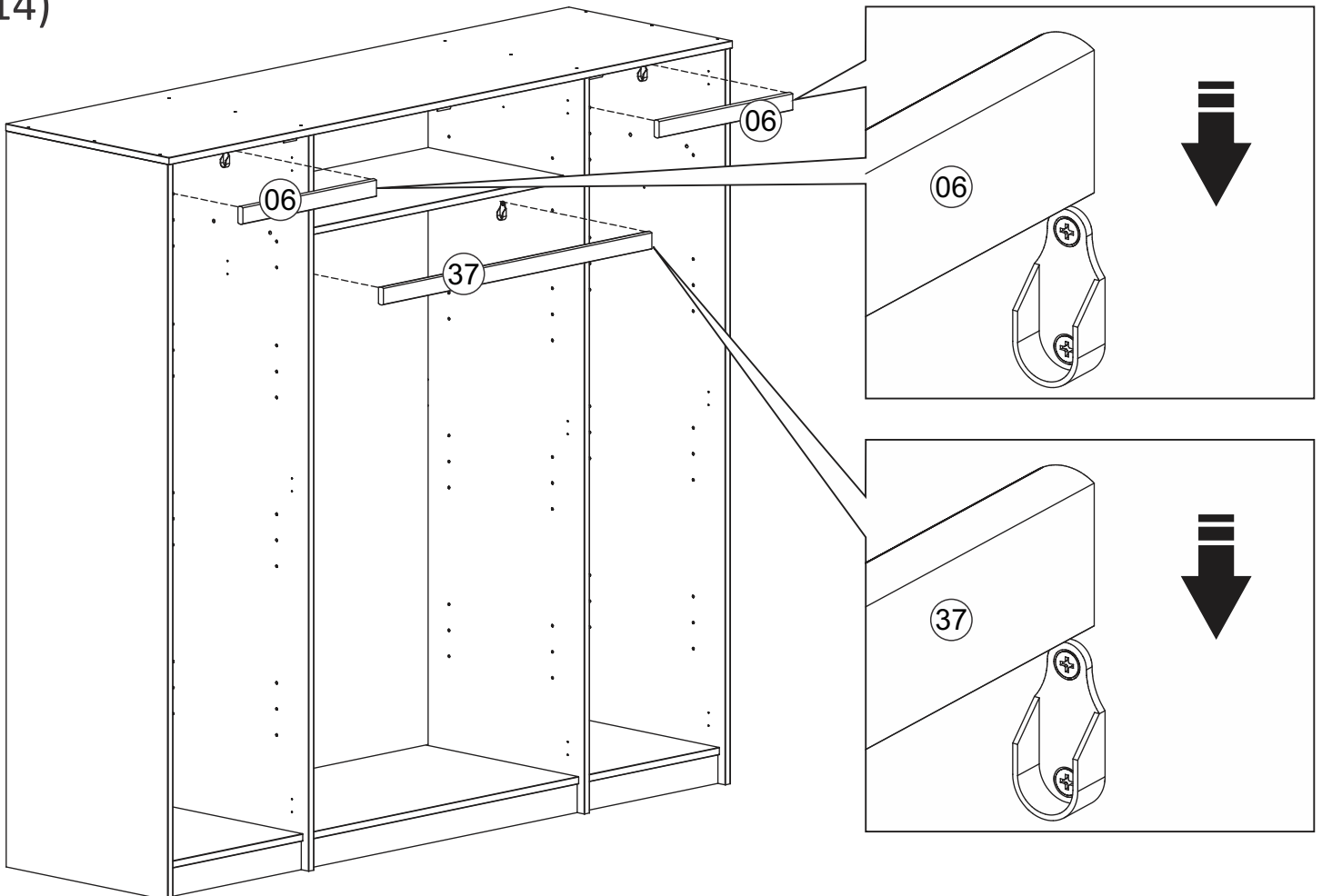
D35		02
-----	---	----

G1	 10x10	18
----	--	----

13)

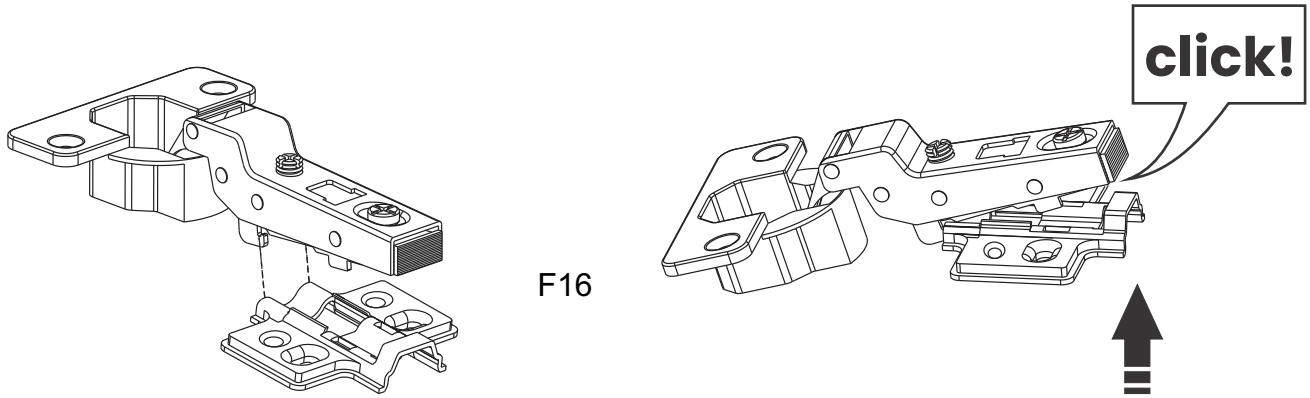


14)



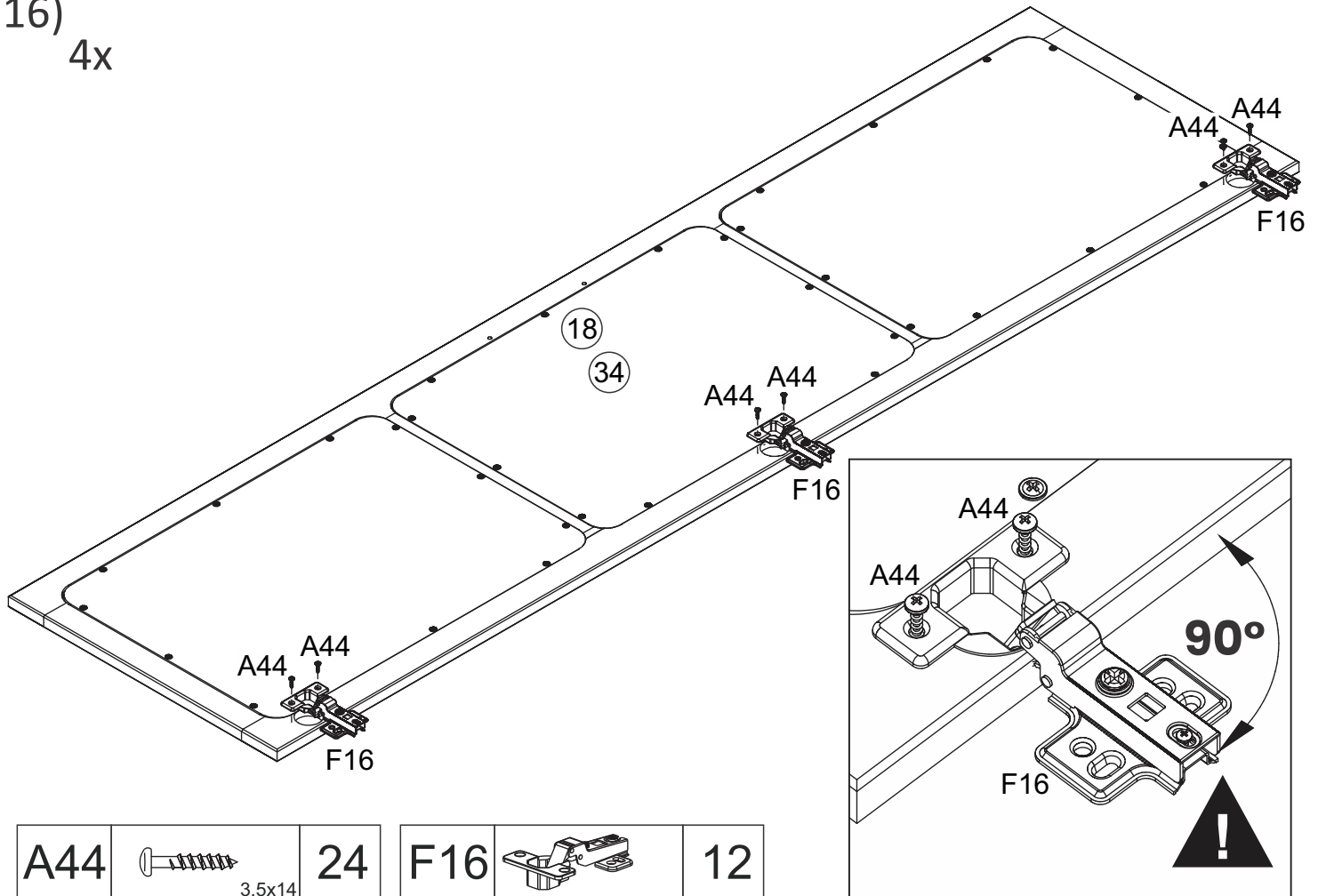
15)

If the hinge (F16) is detached, attach it to the hinge plate by aligning and pushing it in until it clicks securely into place.

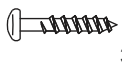


16)

4x



A44



3,5x14

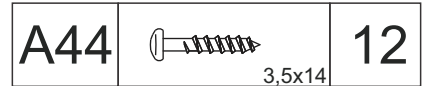
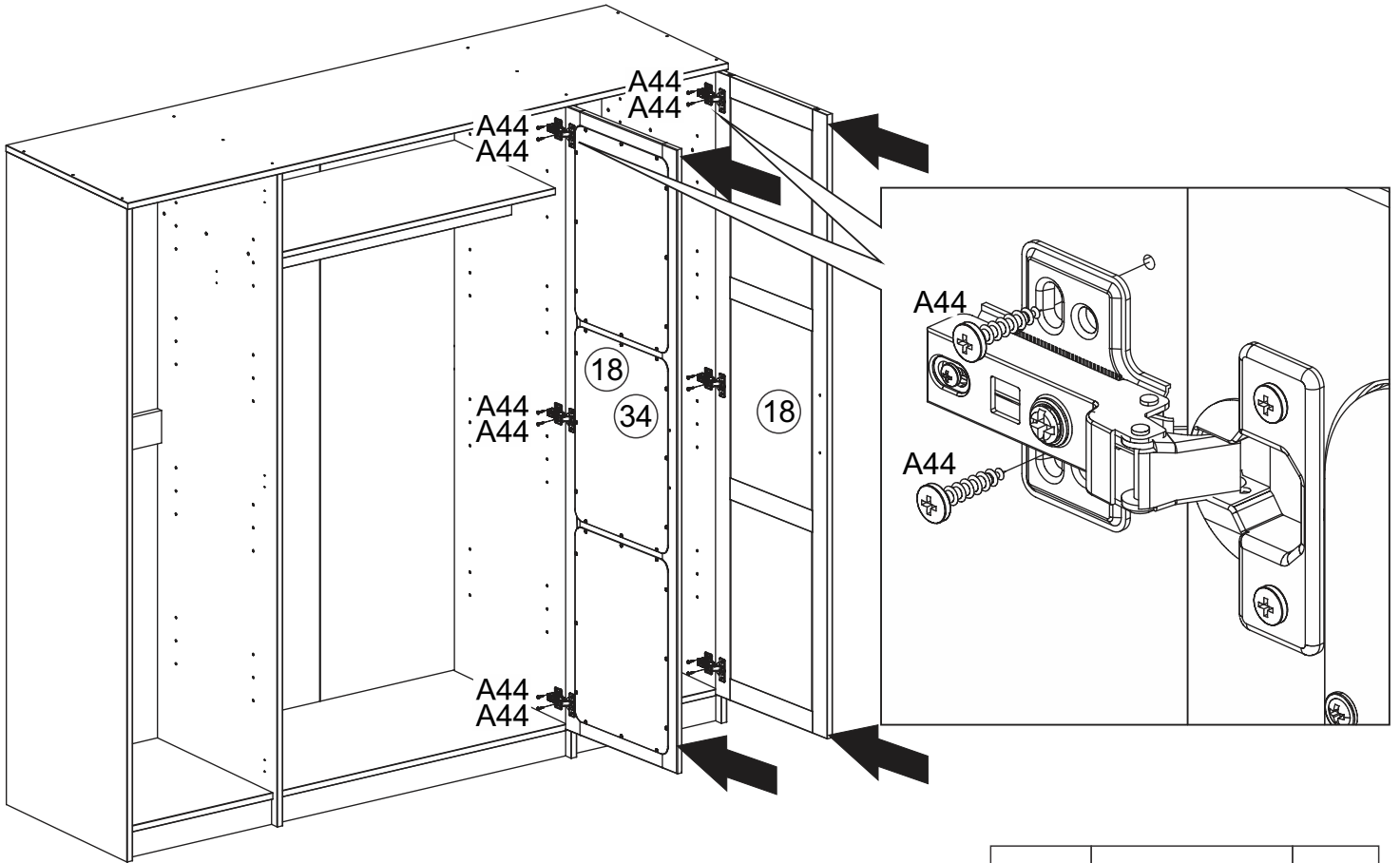
24

F16

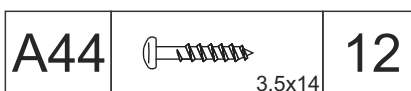
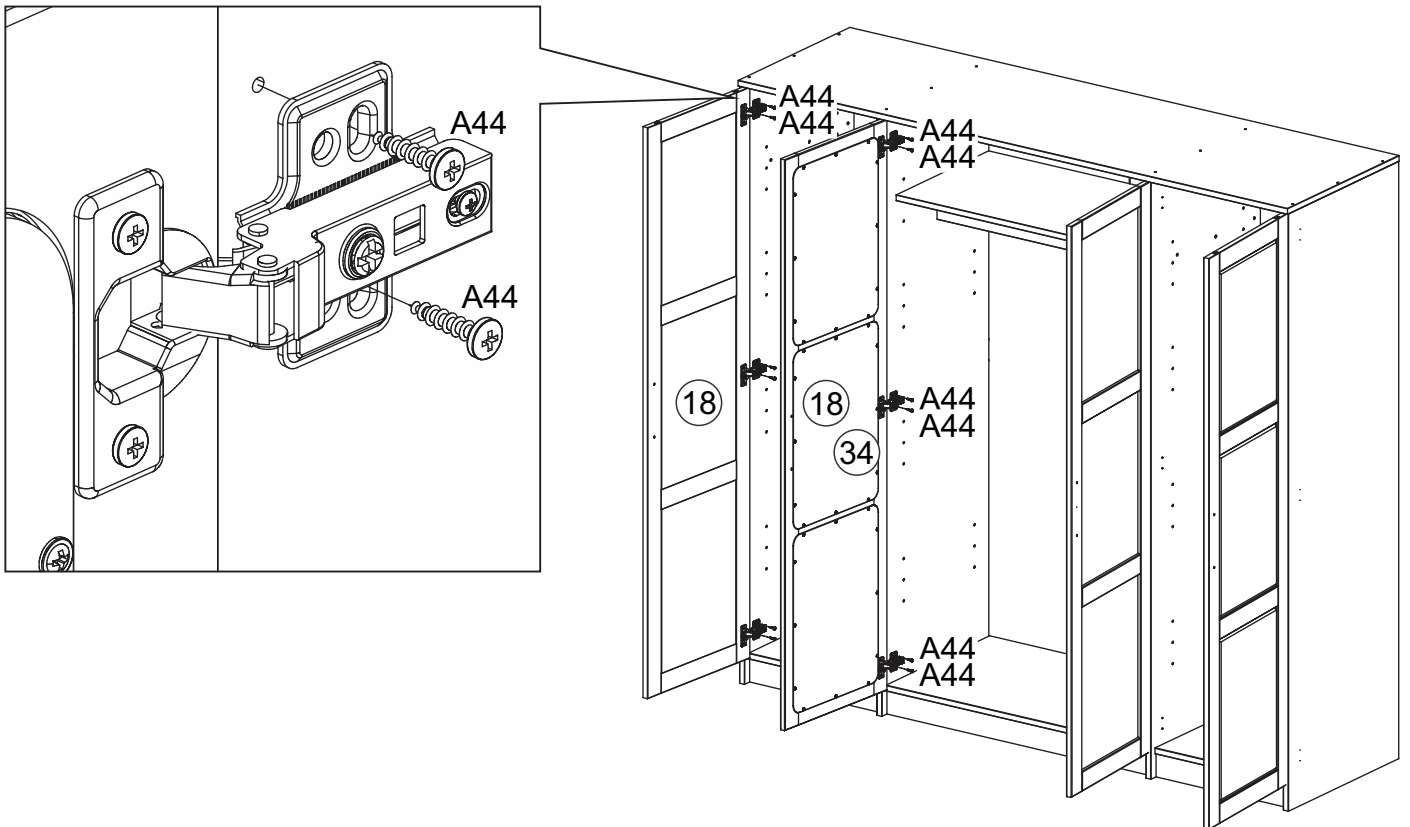


12

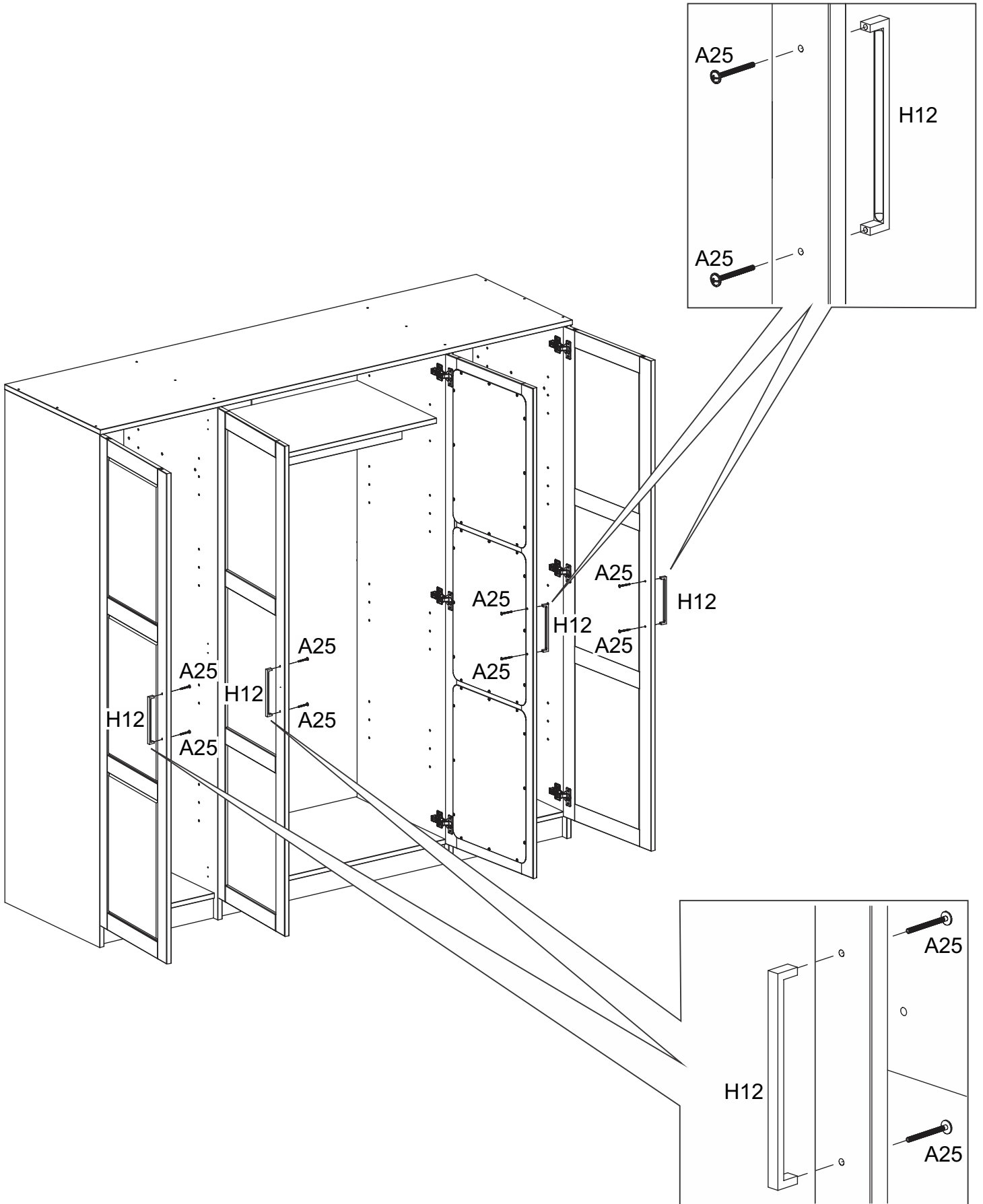
17)


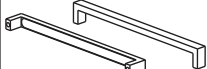


18)

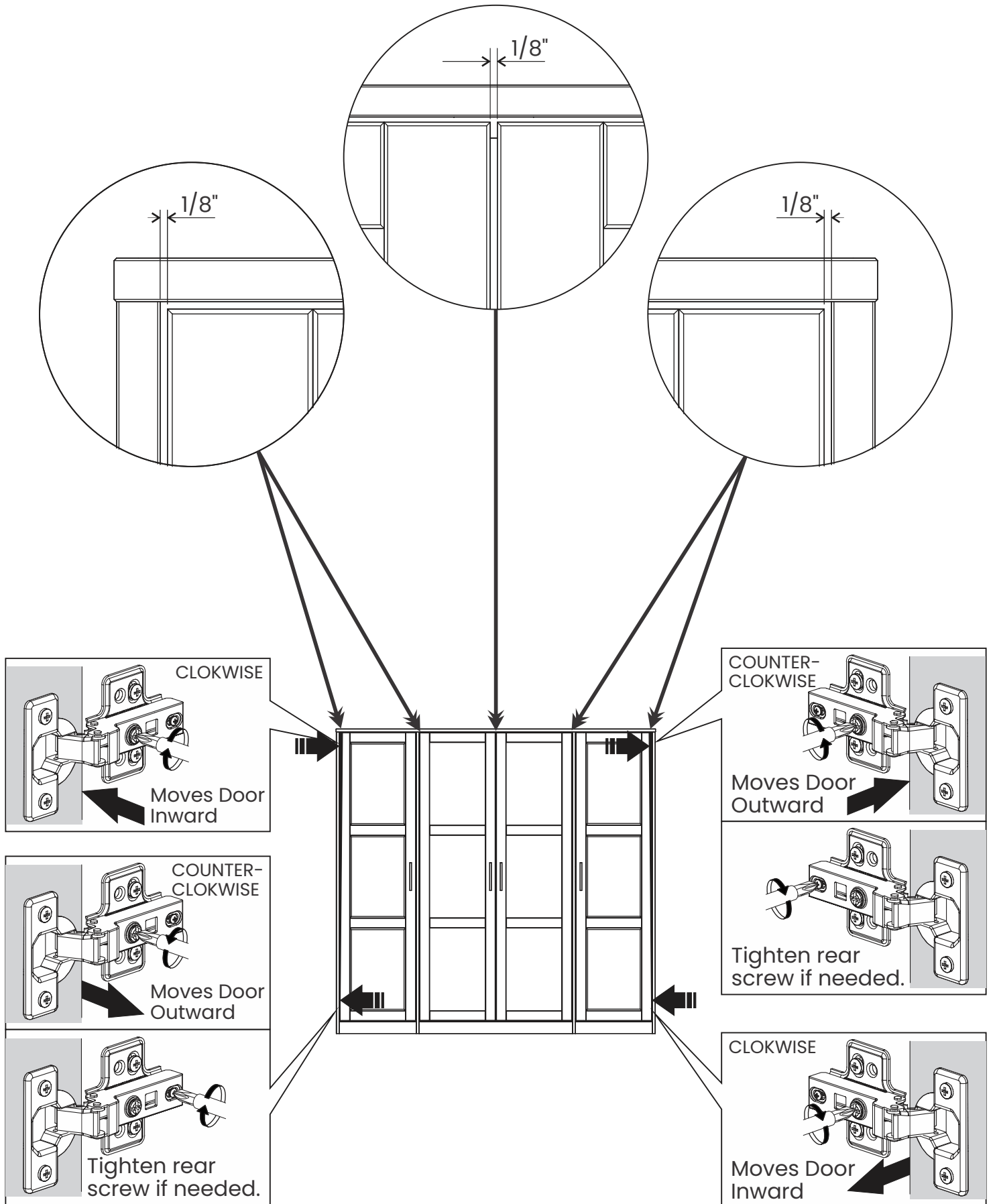


19)

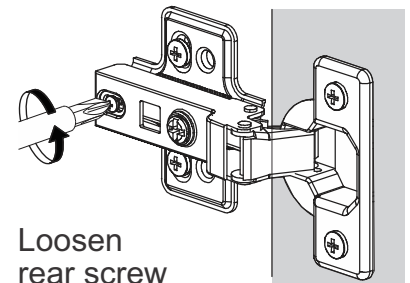
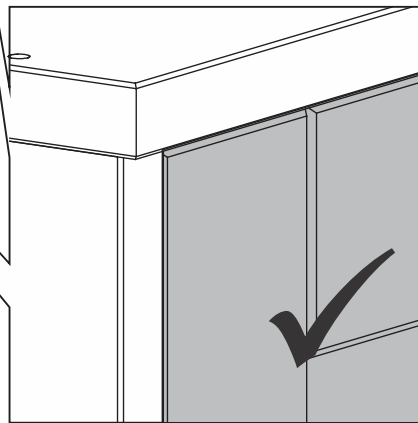
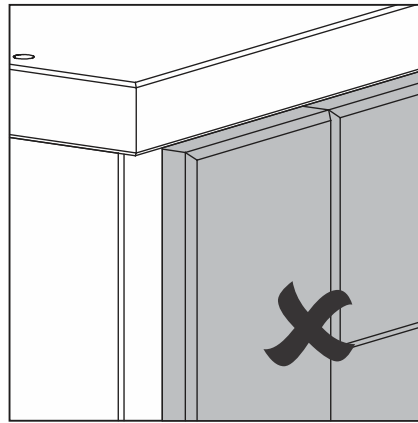
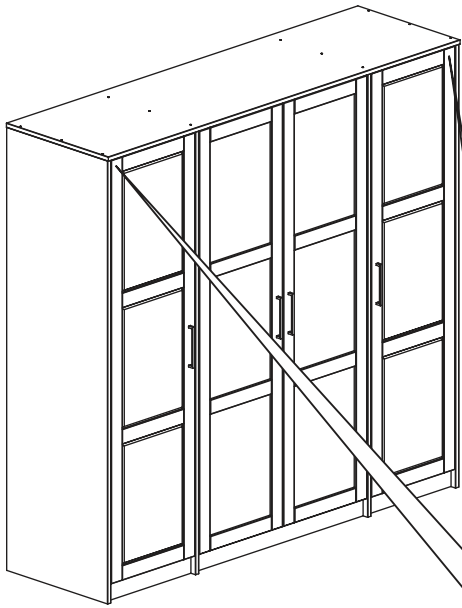


A25	 M4x25	08	H12		04
-----	--	----	-----	--	----

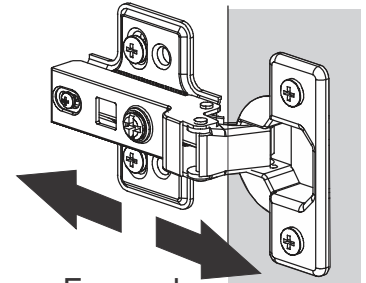
20) Align Crooked Doors



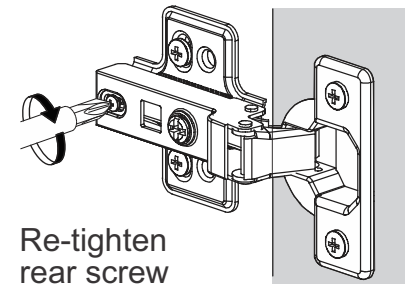
21) To align the doors with the sides of the wardrobe



Loosen rear screw

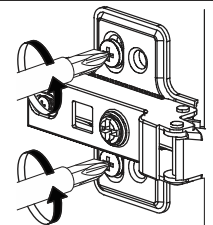
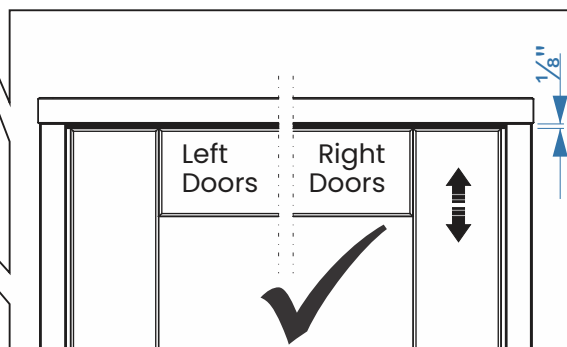
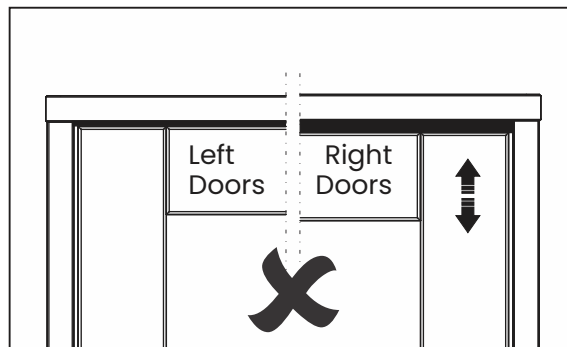
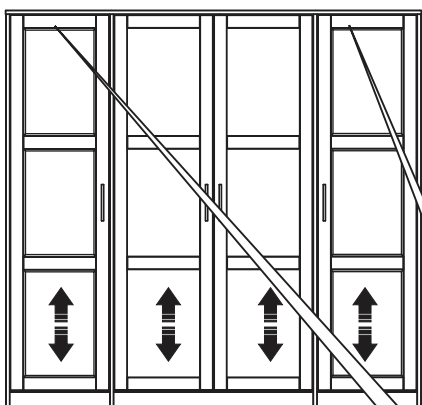


Move Forward or Backward

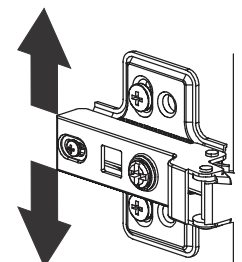


Re-tighten rear screw

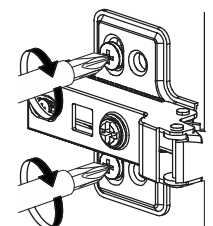
22) Adjusting the space between the door and the top.



Loosen top and bottom screw on all hinges.

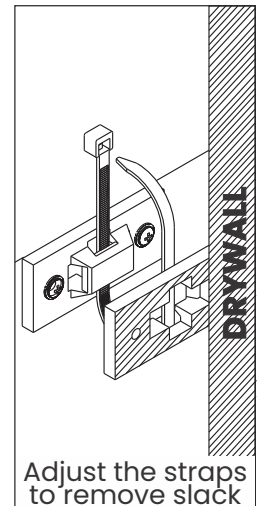
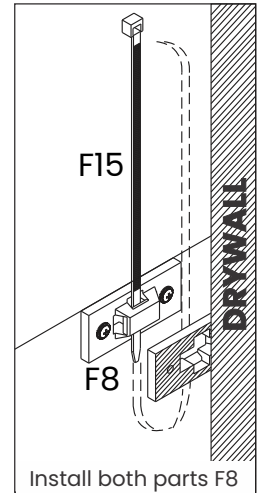
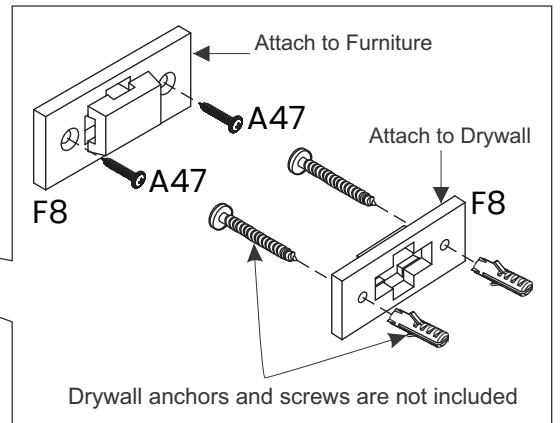
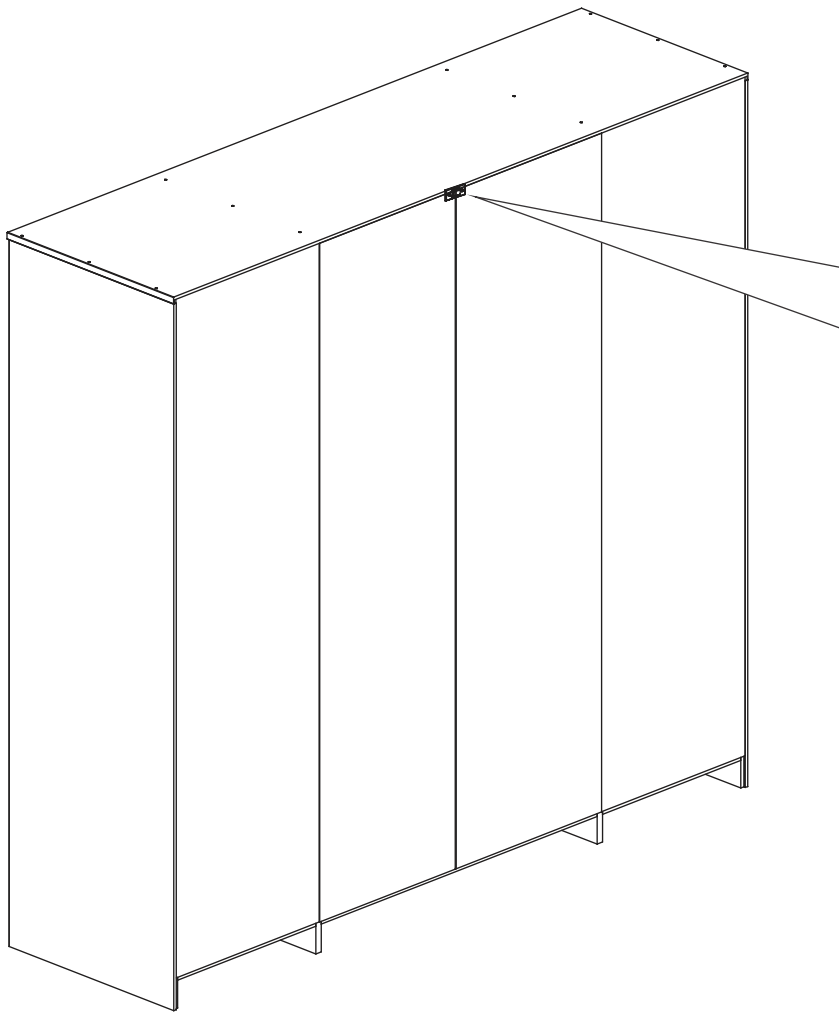
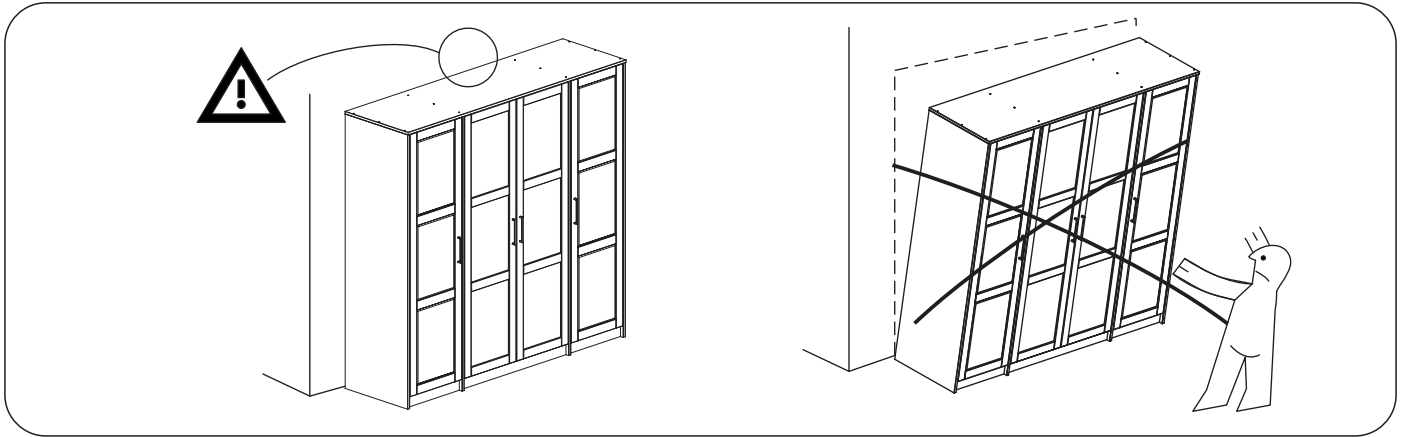



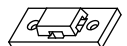

Adjust Height: Move Up or Down



Re-tighten screws on all hinges.

23) Tip-over Restraint Kit Installation



A47	 3,0x20	2
F8		2
F15		1