

Color is only for reference







Please arrange all the parts in serial number as follows



Components List

Parts	Size	Qty	S/N	Box
	φ11*35cm	2	①	1/1
	φ11*25cm	1	②	
	60*48*4cm	1	③	
	39*39cm	1	④	
	60*38*12cm	1	⑤	
	φ45cm	1	⑥	
	96.9cm	1	⑦	
	66*38cm	1	⑧	

Screw list 1:1

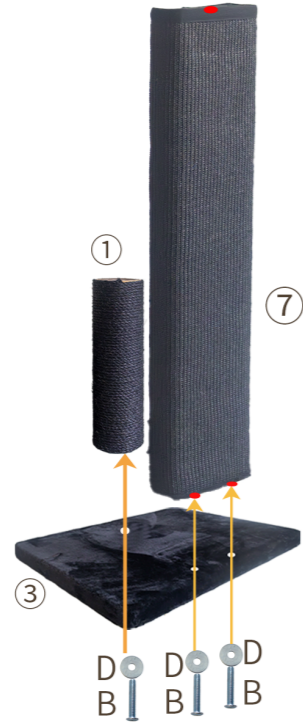
Size	scale	Qty	S/N	Box
φ10*80mm	1:1	2	A	1/1
				
φ10*60mm	1:1	3+1	B	1/1
				
φ10*40mm	1:1	2	C	1/1
				
φ35mm	1:1	5	D	1/1
				



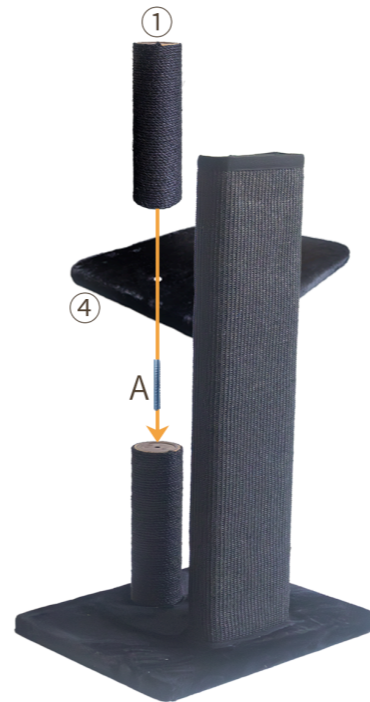
Assembly Manual

1 step.1

Before installation, please prepare the accessories in the step box, and install them in the order of the steps.



2 step.2



3 step.3



4 step.4



5 step.5



• A  φ10*80mm

• B  φ10*60mm

• C  φ10*40mm

• D  φ35mm