

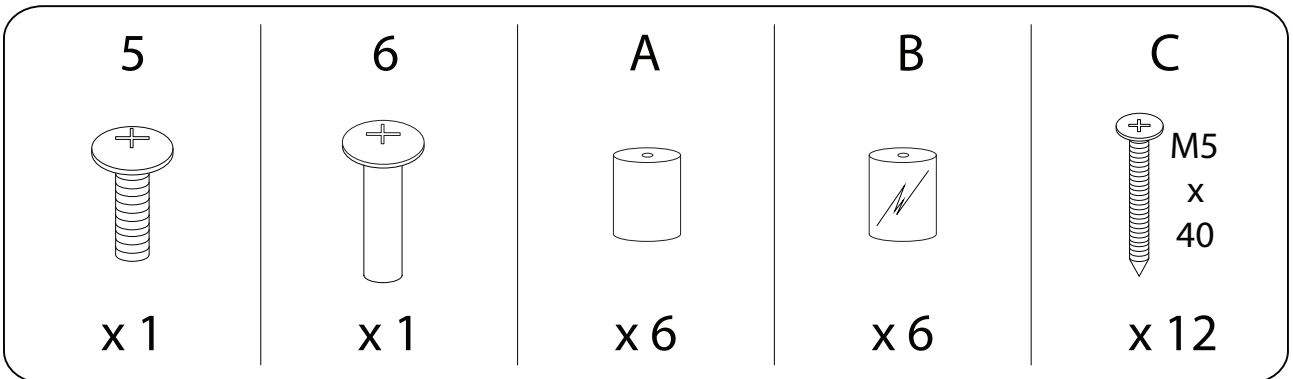
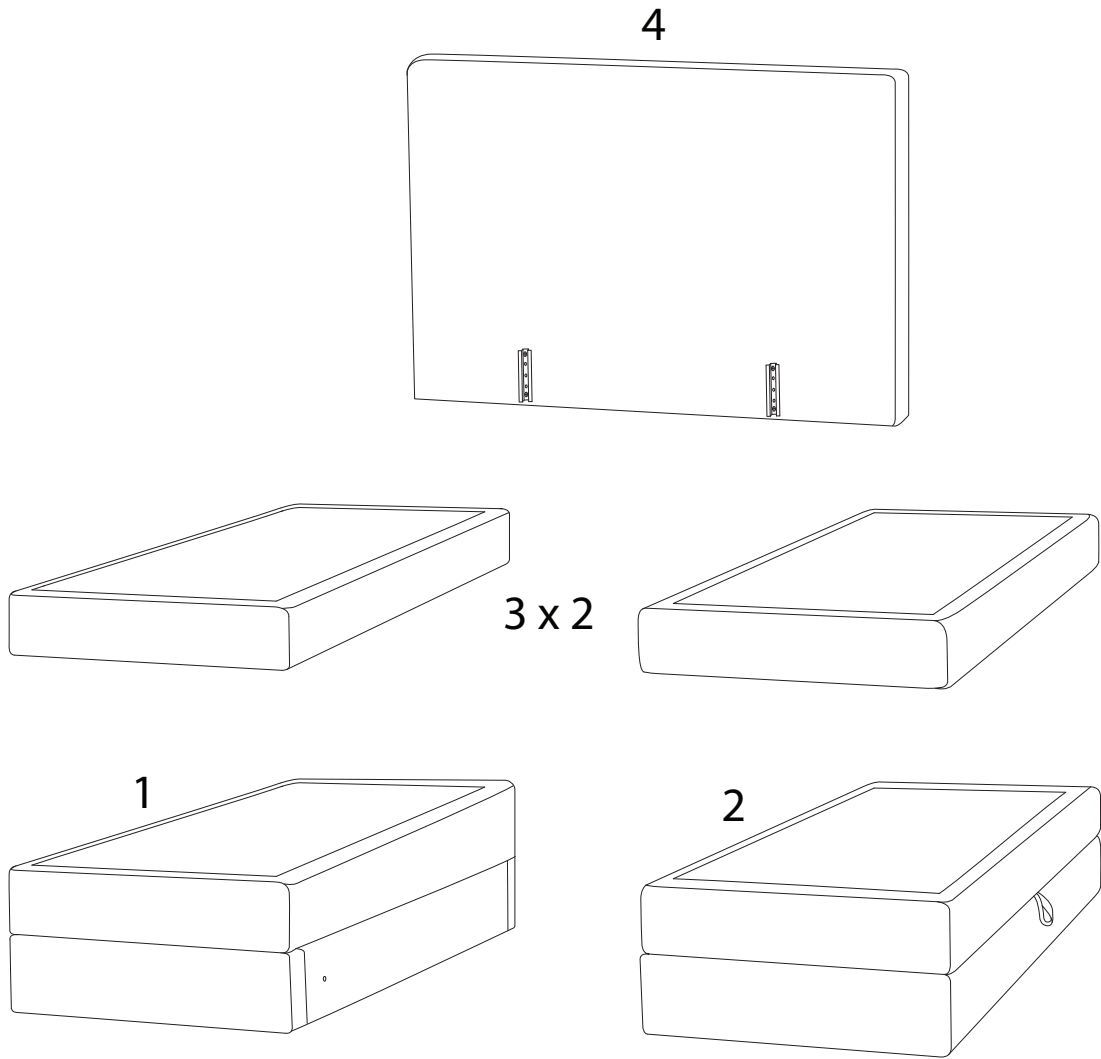
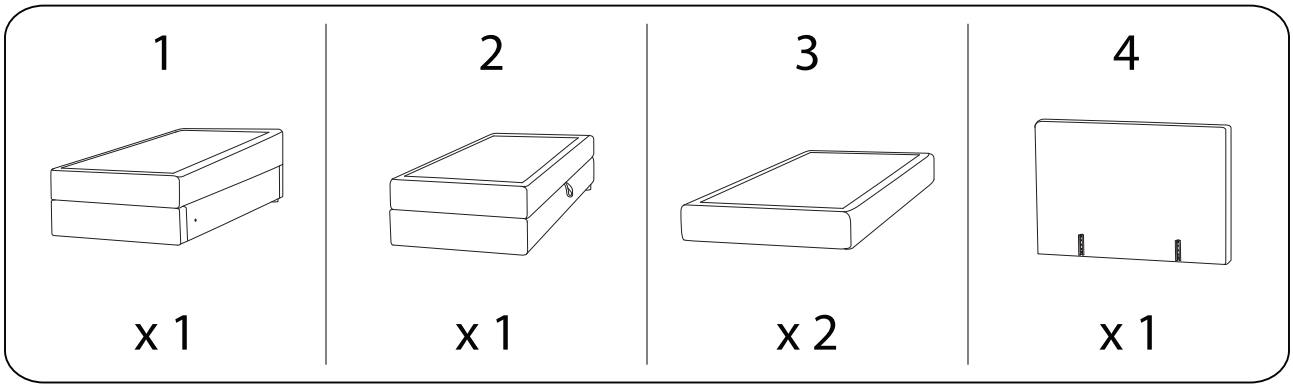
Assembly instructions for the bed, including tool requirements, time, and personnel.

**Tools:** A screwdriver is required, while a power drill is not. This is indicated by a circle containing a screwdriver and a crossed-out power drill, with a warning triangle above.

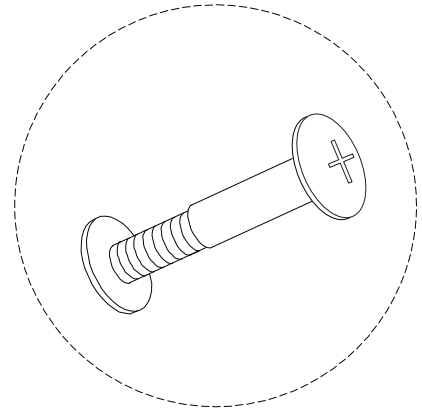
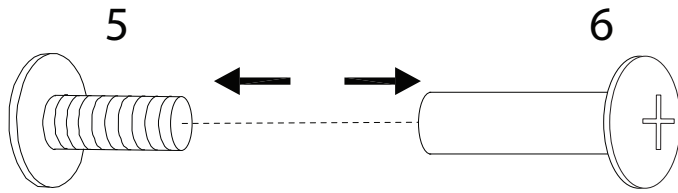
**Time:** The assembly takes 30 minutes, shown by a clock icon and the text "30'".

**Personnel:** Two people are required for assembly, shown by a person icon and the number "2".

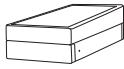



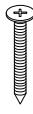
**Warnings:** Two warning triangles are present. The top one is associated with the tool requirements, and the bottom one is associated with the personnel requirement.

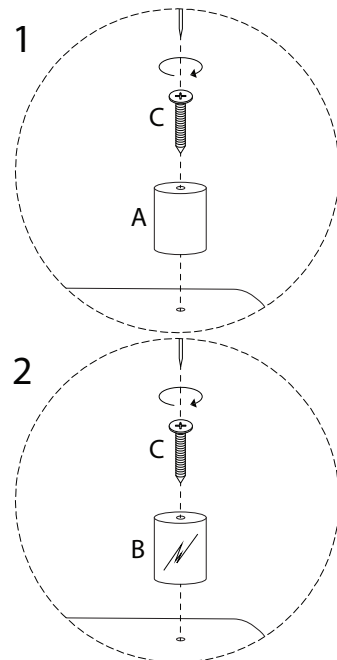
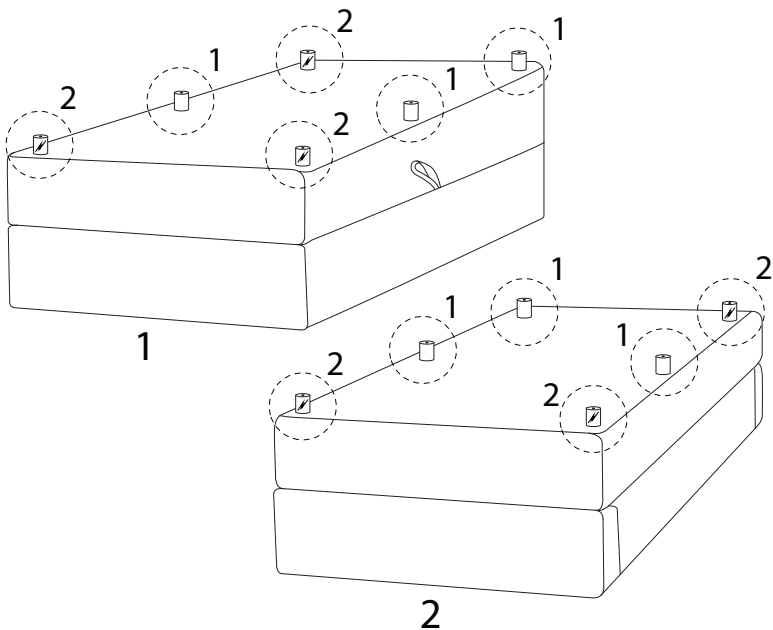


!



1

1	2	A	B	C
				
x 1	x 1	x 6	x 6	M5 x 40 x 12



2

5

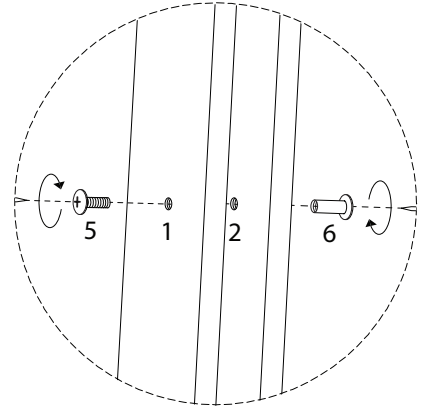
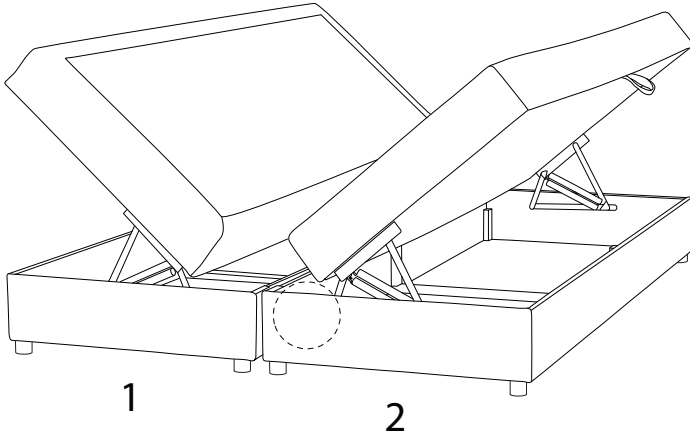


x 1

6



x 1

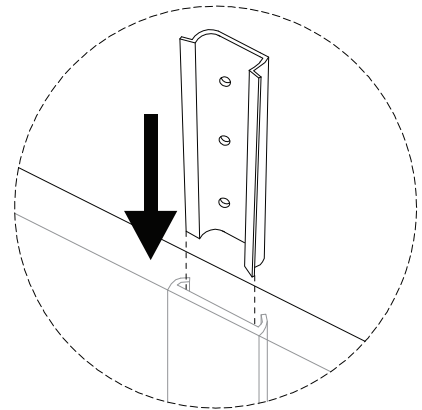
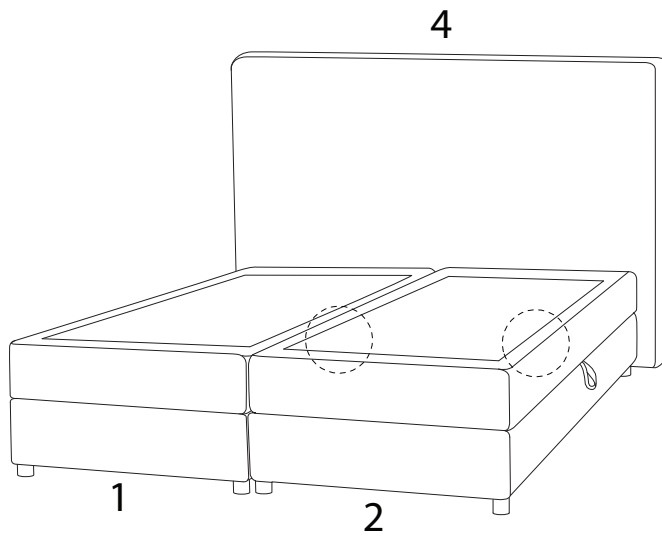


3

4



x 1



4

