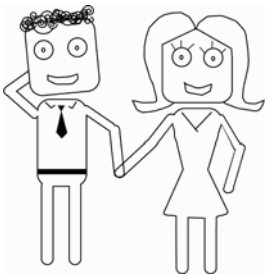
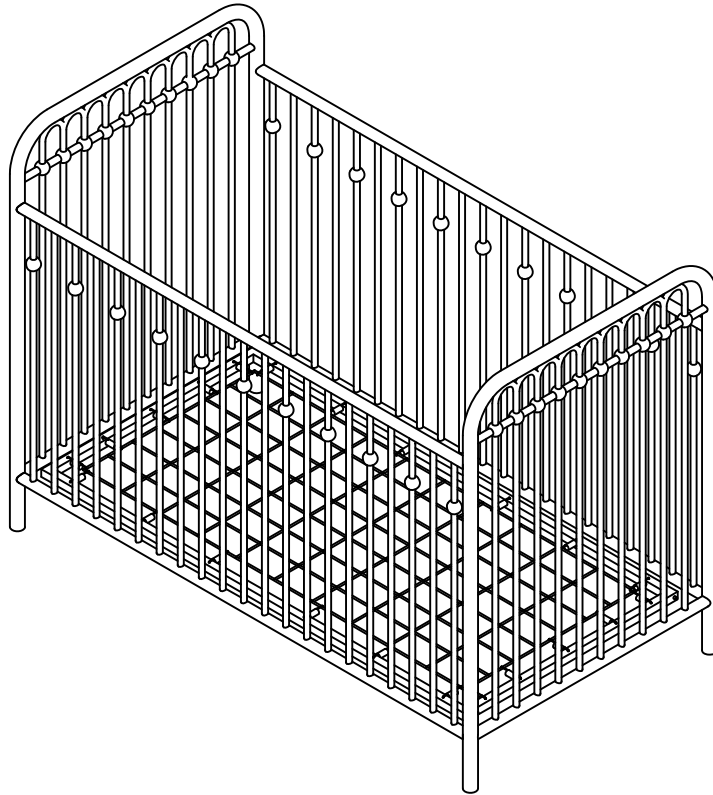


Metal Upholstered Crib

Keep this Assembly Manual for future reference.



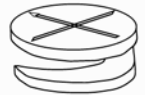
Two adults
recommended
for assembly

This product is not intended for commercial use.

Do NOT return this product.

Helpful Hints

- Open your item in the area you plan to keep it for less heavy lifting
- Identify, sort and count the parts before attempting assembly
- Compression dowels are tapped in with a hammer
- Slides are labeled with an R (right) and L (left) for proper placement
- Make sure to always face the point on the top of the Can Lock towards the outer edge
- Use all the nails provided for the back panel and spread them out equally
- Back panel must be used to make sure your unit is sturdy
- Do NOT use harsh chemicals or abrasive cleaners on this item
- Never push, pull, or drag your furniture





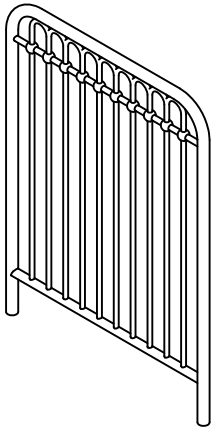
Warning



- * Failure to follow these warnings and assembly instruction could result in serious injury or death.
- * Read all instructions before assembling crib. **KEEP INSTRUCTIONS FOR FUTURE USE.**
- * Check this product for damaged hardware, loose joints, loose bolts or other fasteners, missing parts or sharp edges before assembly and frequently during use. Securely tighten loose bolts and other fasteners. **DO NOT** use crib if any parts are missing, damaged or broken. Contact a customer service representative at 1-800-489-3351 for replacement parts and instructional literature if needed. **DO NOT** substitute parts.
- * Infants can suffocate on soft bedding. Never add a pillow or comforter. Never place additional padding under an infant.
- * Stop using the crib when child begins to climb out or reaches the height of 35 inches (89 cm).
- * To reduce the risk of SIDS, pediatricians recommend healthy infants be placed on their backs to sleep, unless otherwise advised by your physician.
- * **DO NOT** place crib near window where cords from blinds or drapes may strangle a child.
- * Strings can cause strangulation! **DO NOT** place items with a string around a child's neck, such as hood strings or pacifier cords. **DO NOT** suspend strings over a crib or attach strings to toys.
- * To help prevent strangulation tighten all fasteners. A child can trap parts of the body or clothing on loose fasteners.
- * If refinishing, use a non-toxic finish specified for children's products.
- * When child is able to pull to standing position, set mattress to lowest position and remove bumper pads, large toys and other objects that could serve as steps for climbing out.
- * Never use plastic shipping bags or other plastic film as mattress covers because they can cause suffocation.
- * Replace teething rail if damaged or loose (if teething rail is provided for this model).
- * **CAUTION: ANY MATTRESS USED IN THIS CRIB MUST BE AT LEAST 27-1/4 IN. (69 CM) BY 51-5/8 IN. (131 CM) WITH A THICKNESS NOT EXCEEDING 6 INCHES (15CM).**
- * Infants can suffocate in gaps between crib sides and a mattress that is too small.
- * Follow warnings on all products in a crib.

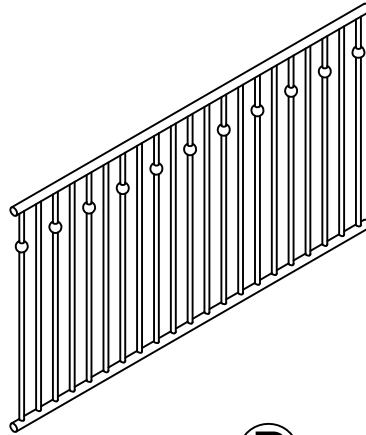
Metal Upholstered Crib

Board Identification



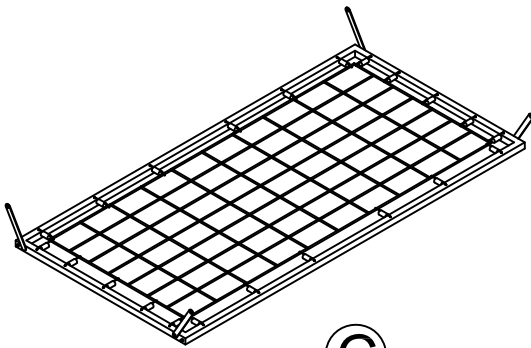
(A)

SIDE FRAME
2PCS



(B)

SIDE FRAME
2PCS

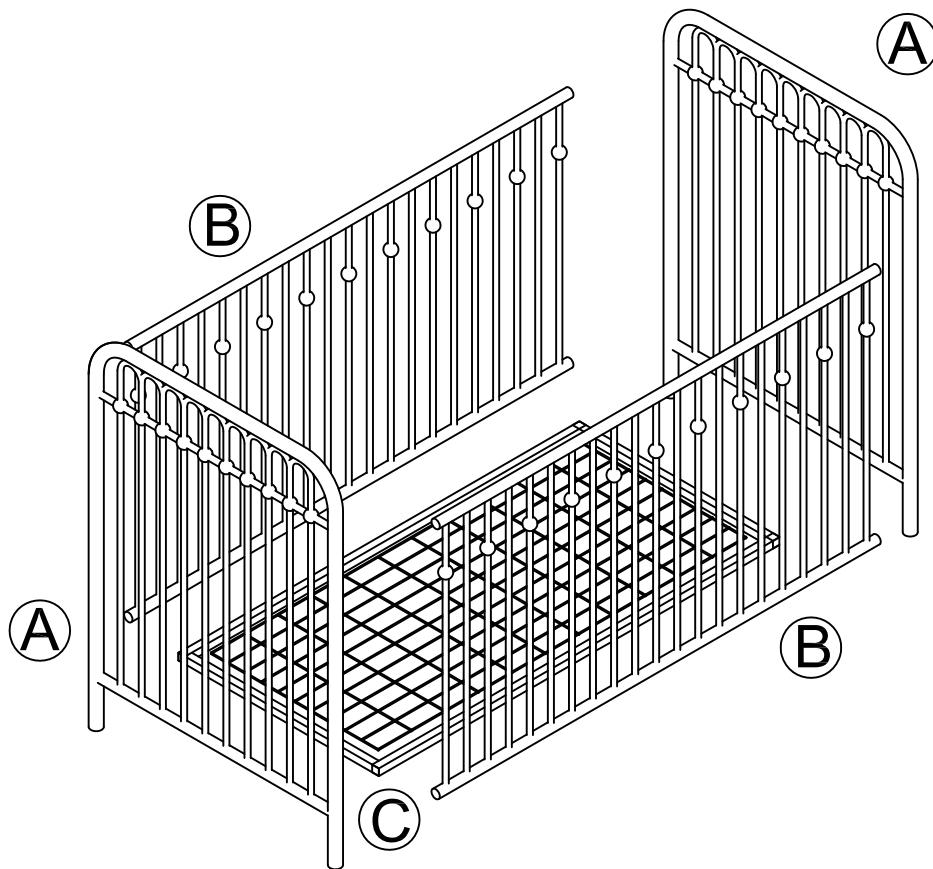


(C)

MATTRESS SUPPORT
1PC

Metal Upholstered Crib

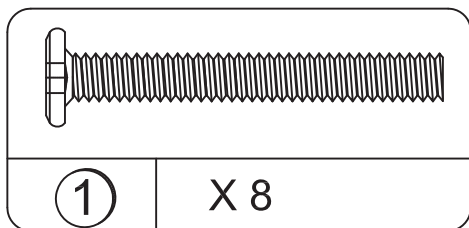
Board Identification



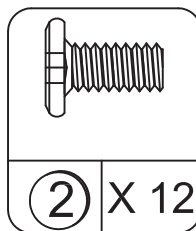
Metal Upholstered Crib

Parts List

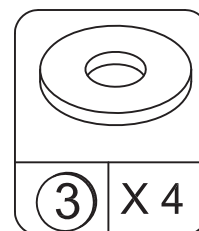
Actual Size



1/4 " x 50mm BOLT



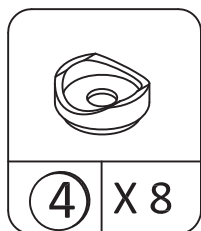
1/4 " x 13mm BOLT



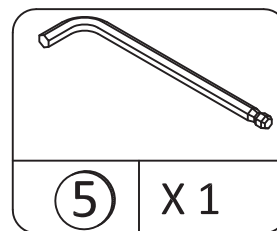
WASHER

Parts List

Not Actual Size



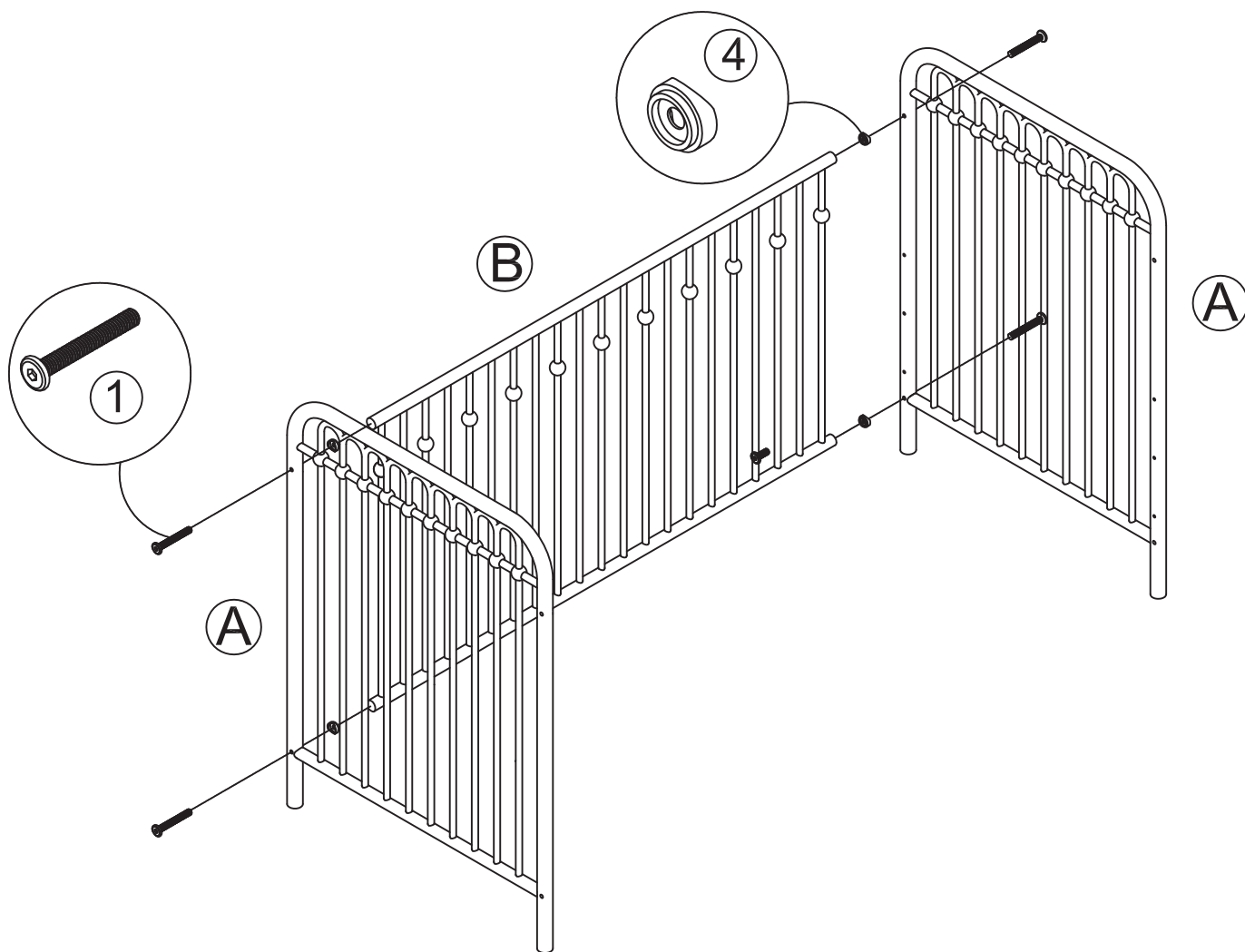
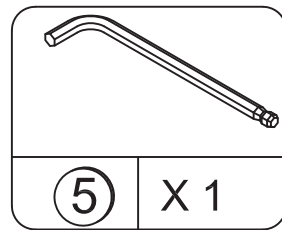
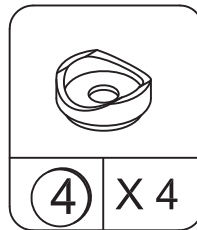
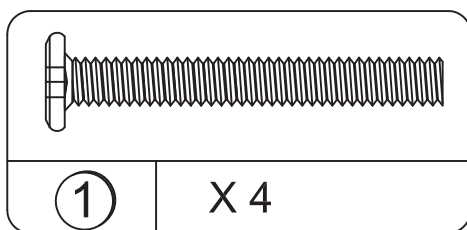
NYLON SPACER



M4 HEX KEY

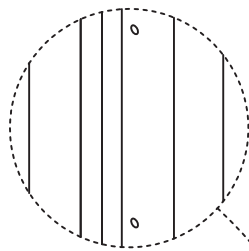
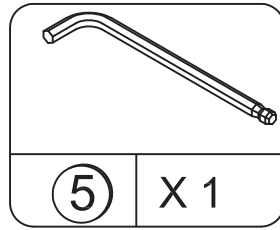
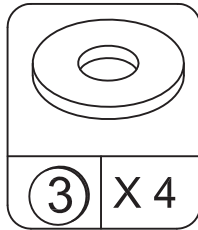
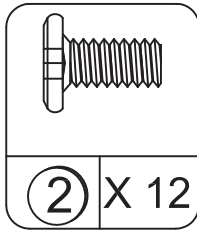
Metal Upholstered Crib

STEP 1

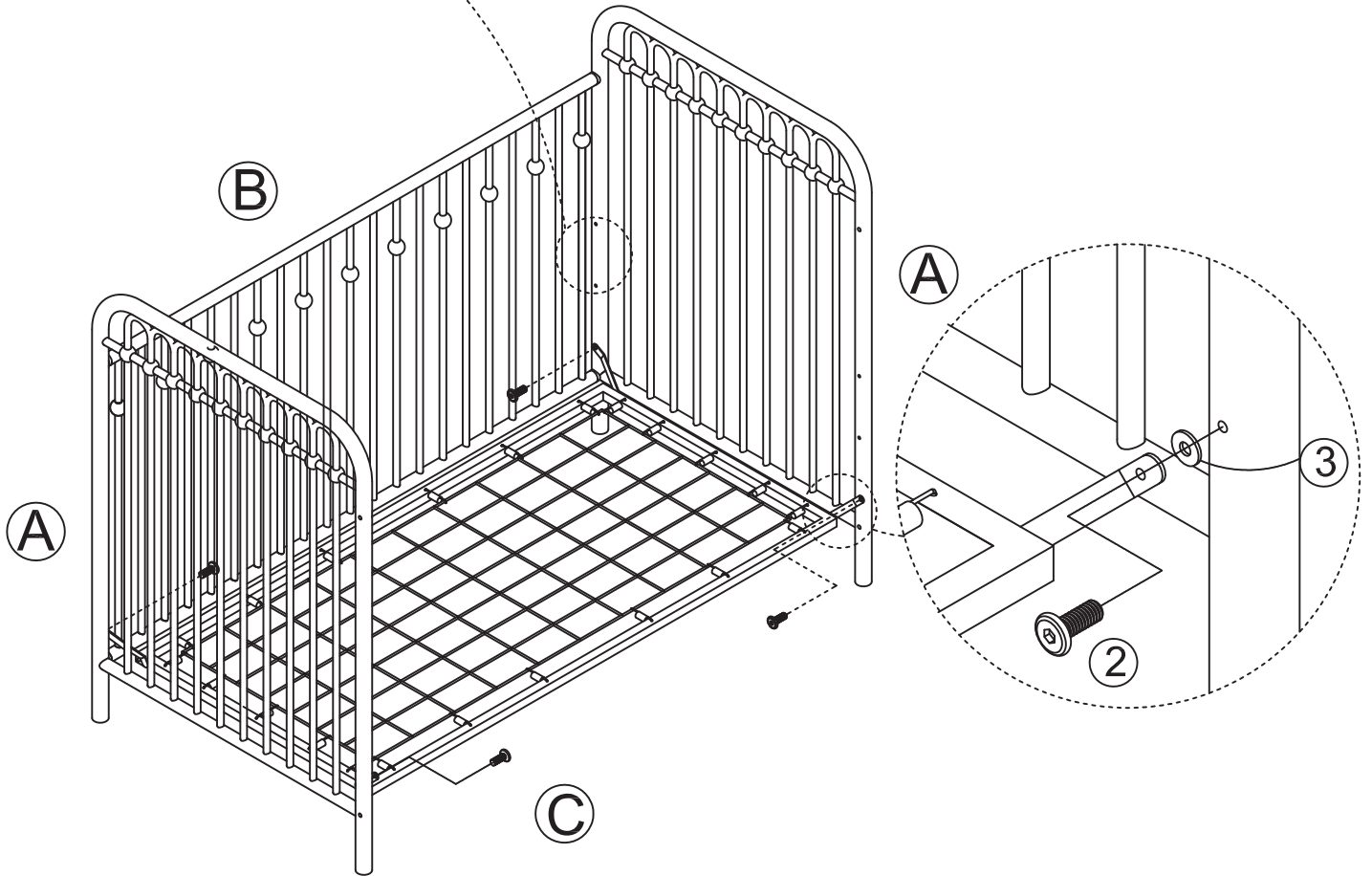


Metal Upholstered Crib

STEP 2

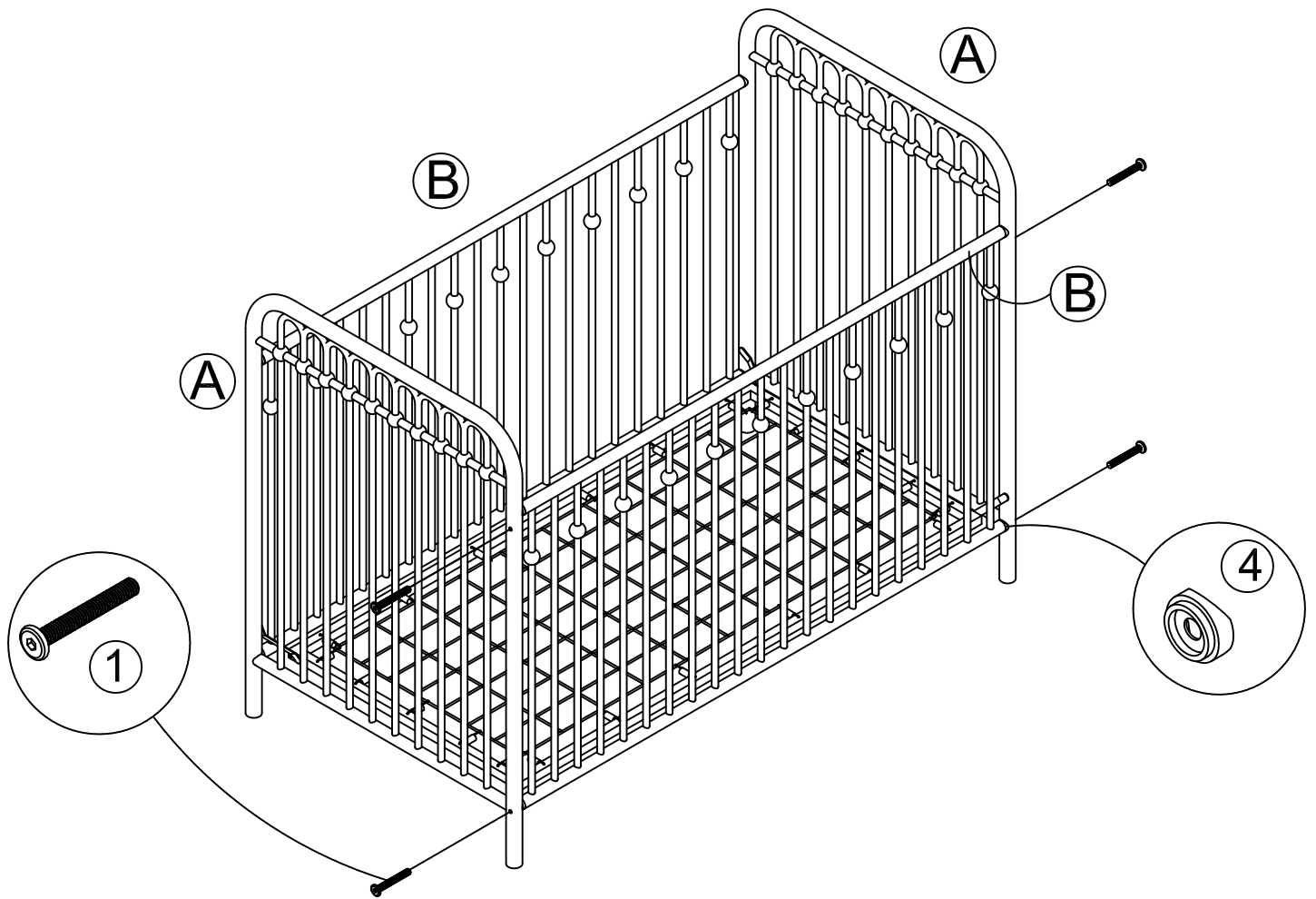
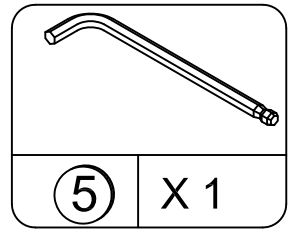
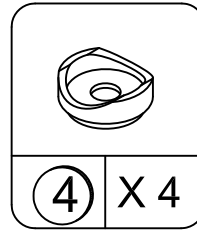
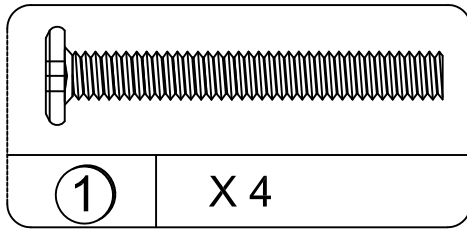


The remaining 8 Height-adjustment holes need to be fitted with bolts (H2) to prevent the baby from putting fingers in and getting injured.



Metal Upholstered Crib

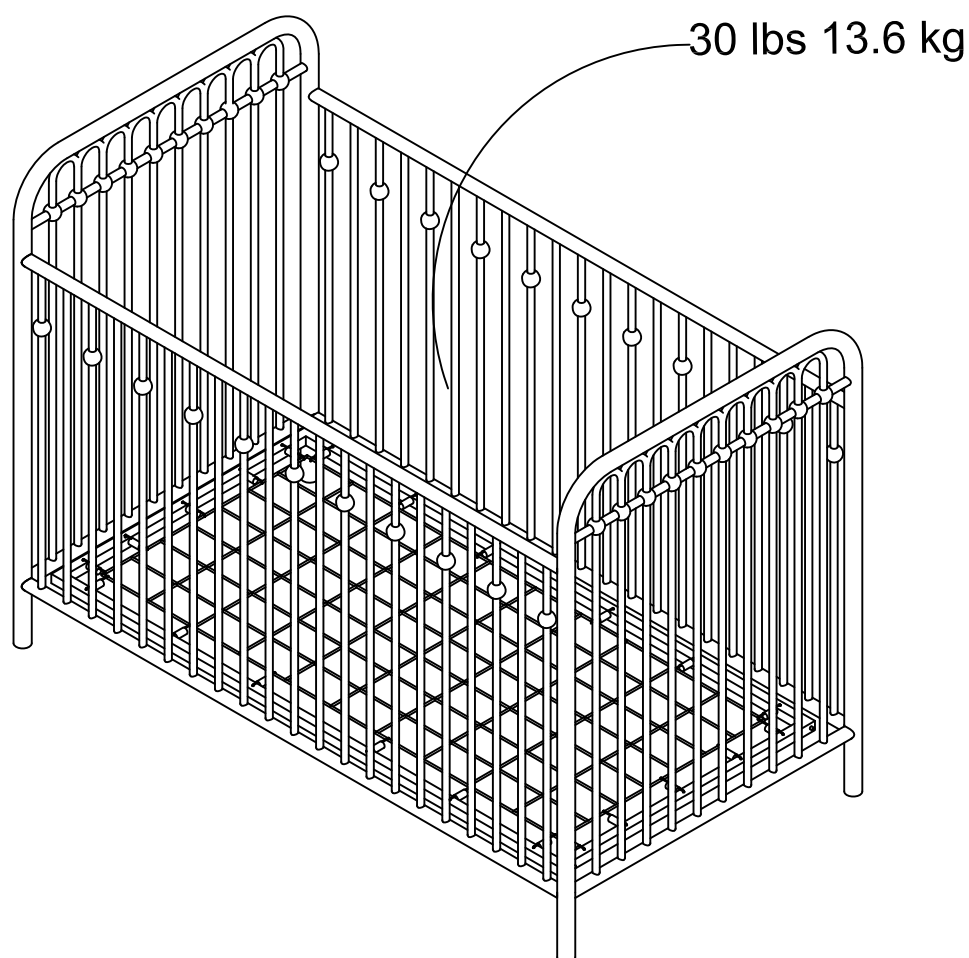
STEP 3



Metal Upholstered Crib

MAXIMUM LOADS

This unit has been designed to support the maximum loads shown. Exceeding these load limits could cause sagging, instability, product collapse, and/or serious injury. Please make sure that all objects are removed before moving the assembled unit. The unit must be team lifted, not dragged or pushed. Failure to do so could cause instability, product collapse, and/or serious injury.



Warning: Risk of injury to persons - Do Not place a television on this furniture. This furniture is not approved for use with a television.