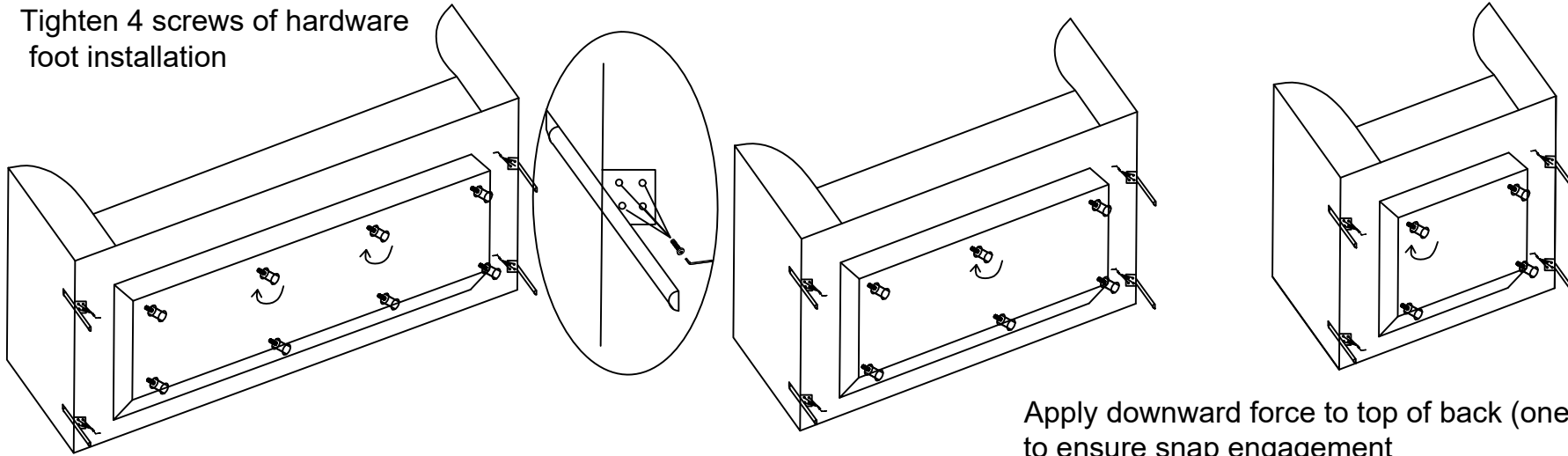


ASSEMBLY INSTRUCTIONS

Tighten 4 screws of hardware
foot installation



Apply downward force to top of back (one side at a time)
to ensure snap engagement

