

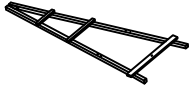





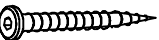



## CARE AND MAINTENANCE

Store outdoor furniture indoors or cover well when it is not in use. Dust regularly with small brush or vacuum. Spills should be taken care of immediately before they harden or stain with a slightly dampened sponge.

## NOTICE

Please make sure that you have all parts indicated before you begin assembly of this item.

### Part List and Hardware List

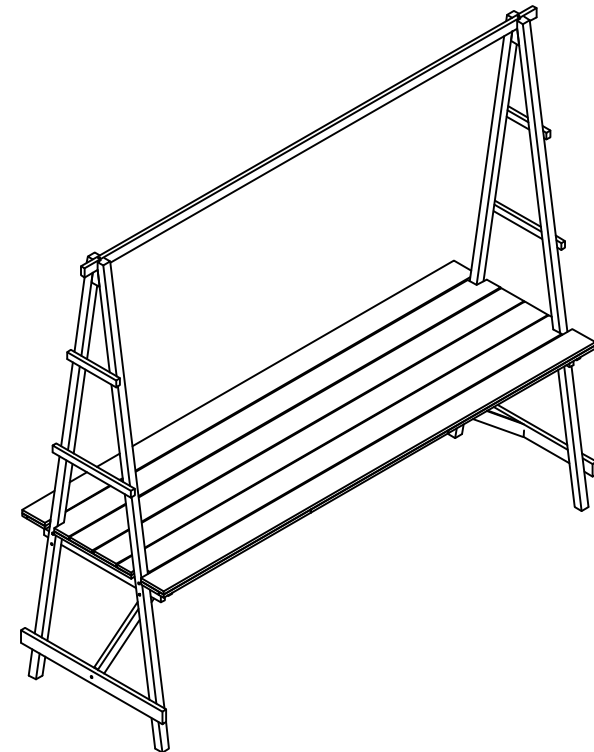
PIECE	DESCRIPTION	PICTURE	QUANTITY
<b>A</b>	Leg		2 x
<b>B</b>	Connection bar		2 x
<b>C</b>	Support bar		2 x
<b>D</b>	Table top		1 x
<b>E</b>	Top bar		1 x
<b>F1</b>	Allen bolt	 M6x65	8 x
<b>F2</b>	Allen Screw L	 M6x70	2 x
<b>F3</b>	Allen Screw S	 M6x50	8 x
<b>F4</b>	Wrench		1 x
<b>F5</b>	Allen key		1 x

Product Dimension: 68.90"W x 28.74"D x 74.02"H

**Weight capacity : 40 lbs.**

**Warning : Do not stand on the table**

**Warning : Do not torque bolts / screws**



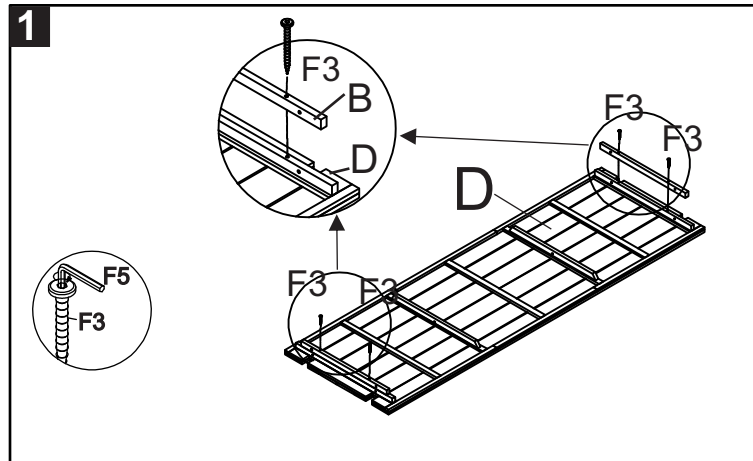
# PREPARATION

Before beginning the assembly of the product, make sure all parts are present.

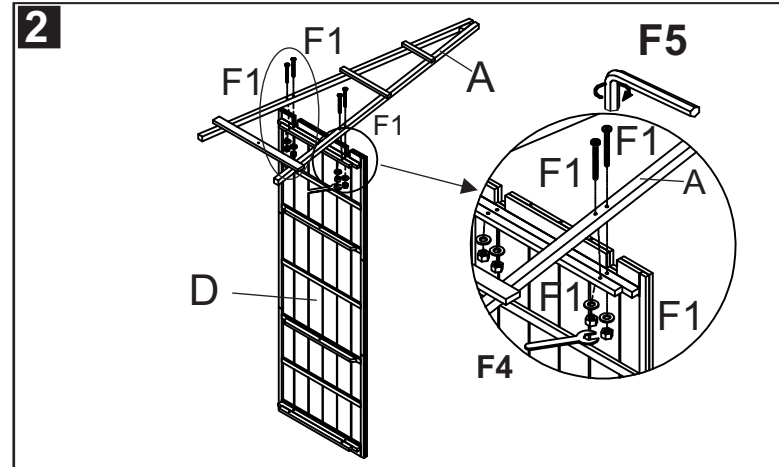
Compare the parts with the package contents list and hardware contents list.

If any parts are missing or damaged, do not attempt to assemble the product.

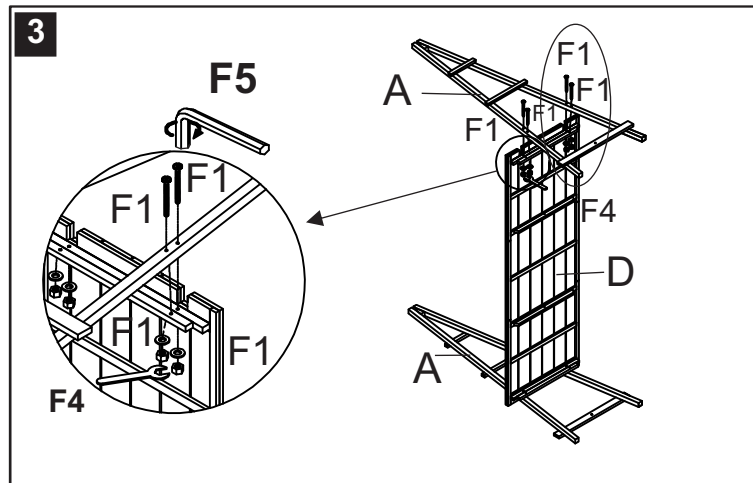
Tool required for assembly (included): Allen Key and wrench .



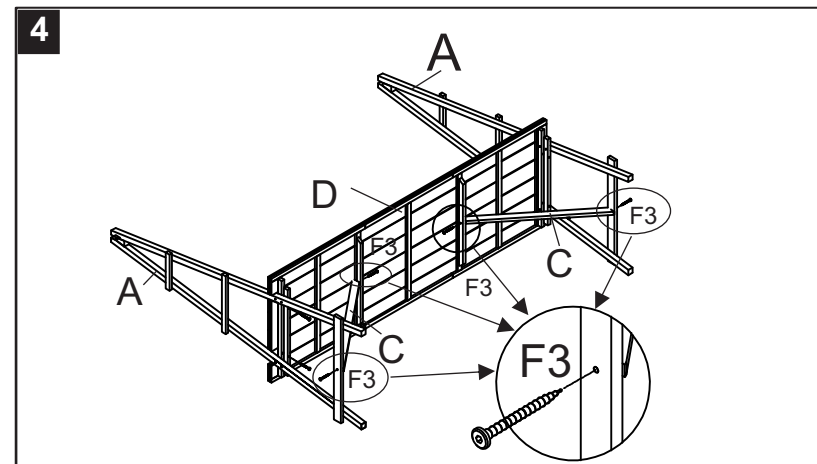
Step 1 : attach connection bar (B) to the table top (D). Using the allen screw S (F3) and tighten with the Allen key (F5) as shown on the picture. Both side are same.



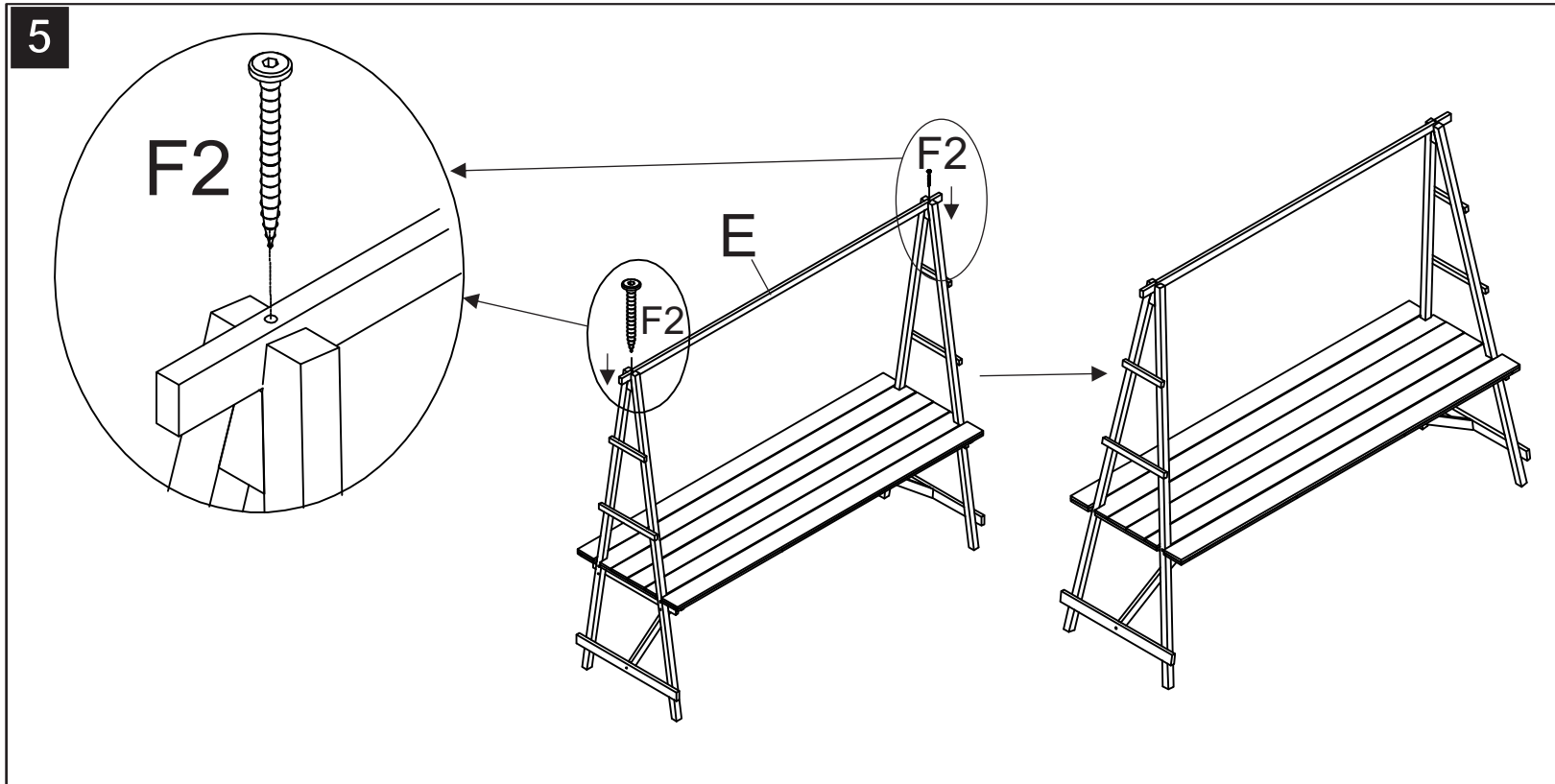
Step 2 : attach the leg (A) to the table top (D) as shown on the picture. Using the allen bolt (F1) and tighten with the wrench (F4) and the allen key (F5).



Step 3 : attach the leg (A) to the other side of table top (D) as shown on the picture .Repeat assembly same step 2 .



Step 4 : put the support bar (C) under table as shown on the picture. Using the Allen screw S (F3) and tighten with the Allen key (F5).



Step 5 : put the top bar (E) on top the leg (A) as shown on the picture.  
Tighten the Allen screw L (F2) with the Allen Key (F5).