

CHAIR

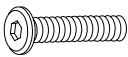



Thank you for purchasing this chair!

Before you start, here is some helpful advice:

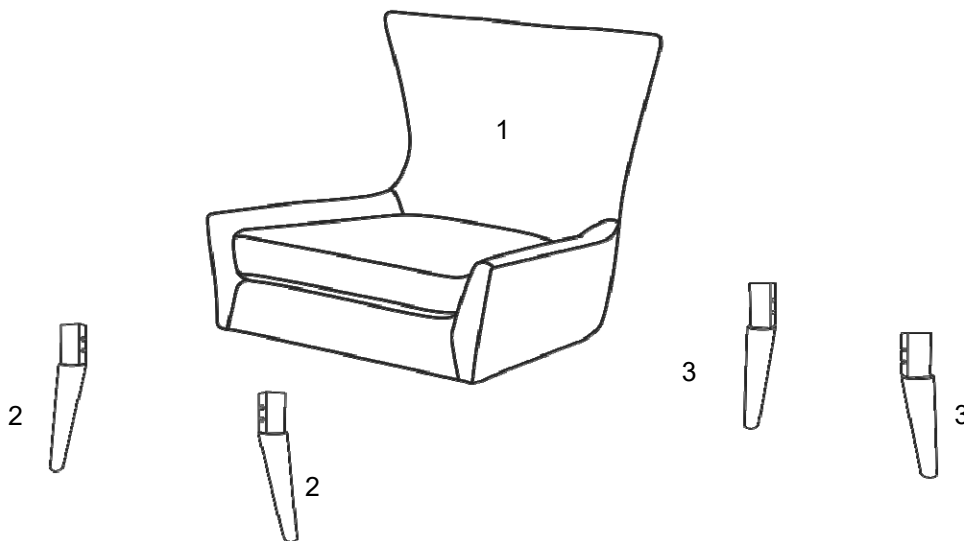
1. We suggest you spend a short time reading through this leaflet and then follow the simple step by step instructions.
2. Owing to the size and weight of the chair, we recommend that it is assembled by two adults, on a carpeted or padded area, in the room that it is intended for. Approximate assembly time: 30 minutes.
3. Please do not use any tools other than those provided or recommended in these instructions.
4. Please do not throw away any of the packaging or instructions until you have checked all the components and hardware and the furniture is fully assembled.
5. Assemble all components loosely until advised to tighten. Depending on use, it may be necessary to tighten the components from time to time, so please save the tools that have been provided.
6. Please keep all pieces out of reach of small children.



Hardware:

A		Bolt M6x40mm	x 8
B		Spring Washer M6	x 8
C		Flat Washer M6	x 8
D		Allen Wrench	x 1

Component:



1 Chair Body x1

2 Front Leg x2

3 Back Leg x2

CHAIR

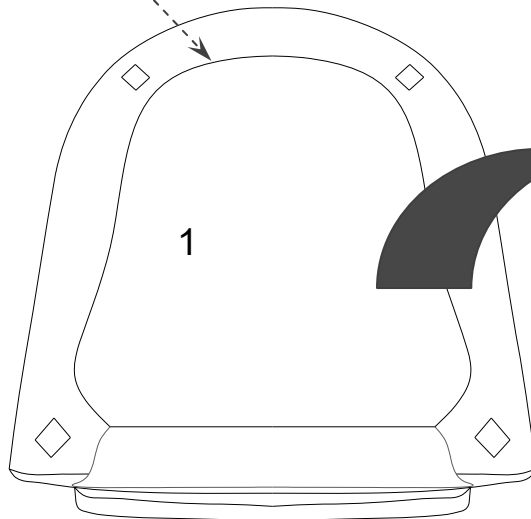
STEP 1:

Please put the **Chair Body (1)** upside down on a carpeted or padded area by two adults.

Open the Zipper on the bottom of **Chair Body (1)** as shown, to make the corners fully visible.

Take out 4 pieces of **Legs (2&3)** and Hardware Package from the inside of **Chair Body(1)**.

Zipper on the bottom of chair body



4pcs Chair Leg
+
Hardware Package

STEP 2:

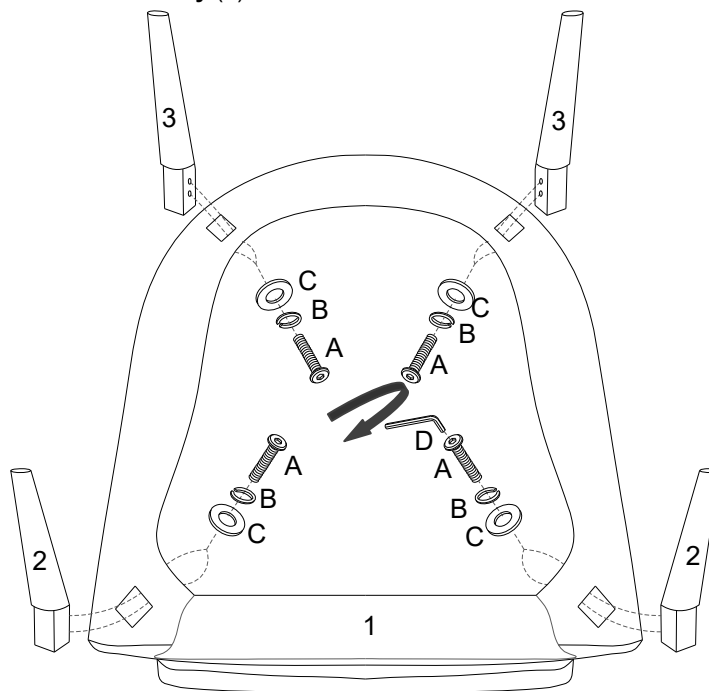
Position one of **Front Legs (2)** at the corresponding corner as shown.

Insert 2 pieces of **Bolt (A)** with 2 pieces of **Spring Washer (B)**, **Flat Washer (C)** into the pre-drilled holes on the bottom **Chair Leg (2)** through the pre-drill holes on the bottom of **Chair Body (1)** as shown.

Repeat the same steps for the remaining **Front Leg (2)** & **Back Legs (3)**.

Use **Allen Wrench (D)** to tighten all the **Bolts (A)** clockwise until secure.

Close the zipper on bottom of **Chair Body (1)**.



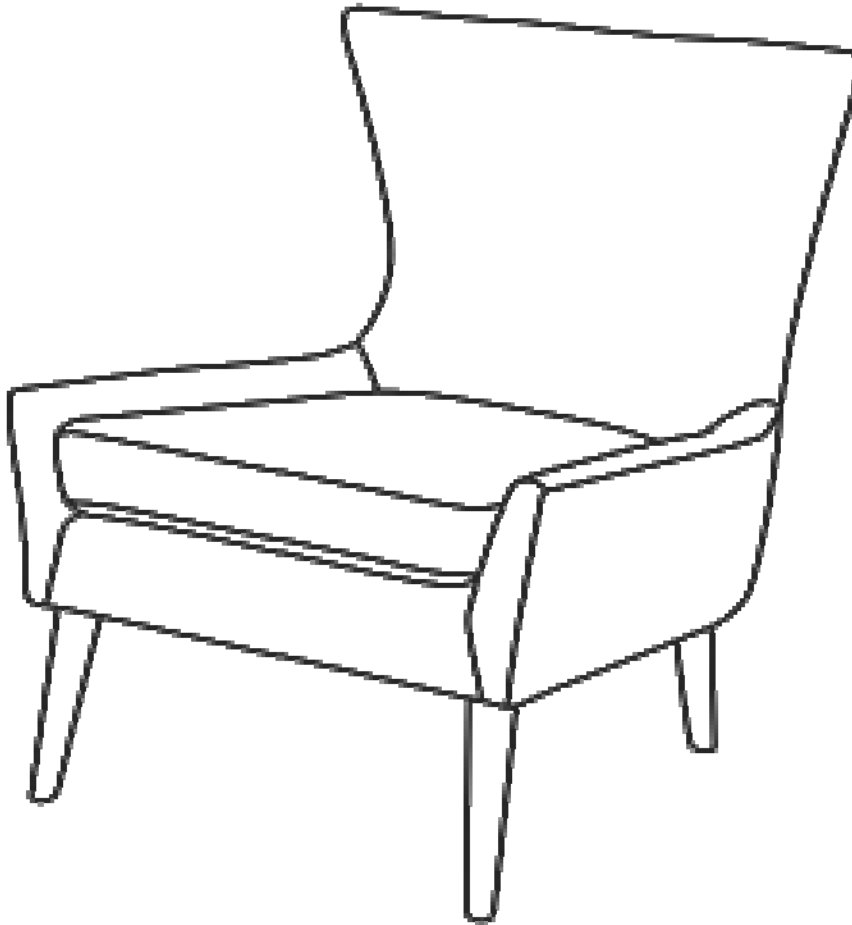
Ax8	Bx8	Cx8	Dx1

Hardware & Tool required

CHAIR

STEP 3:

Carefully turn over the assembled chair.



Assembly is completed. Your chair is ready to be enjoyed now!