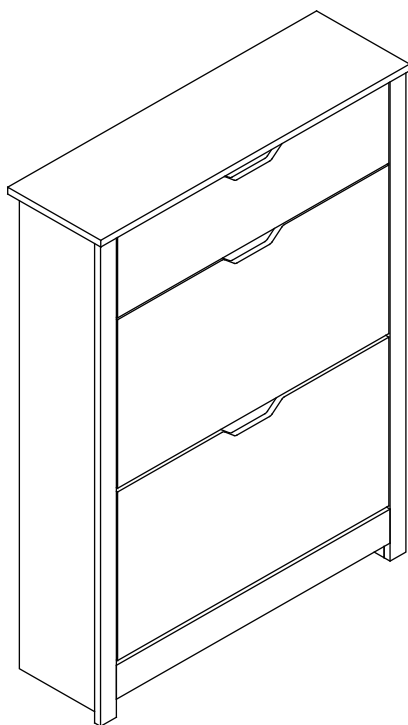


SHOE CABINET

- 2 DOOR, 1 DRAWER

— Instruction manual



CONTENTS

Safety and care advice	1
Components – panels	2
Components – fittings	3
Assembly instructions	4
Copyright	16

⚠️ SAFETY AND CARE ADVICE ⚠️

PLEASE READ THESE INSTRUCTIONS CAREFULLY AND KEEP FOR FUTURE REFERENCE

Warning: Please lift with care.

- Check you have all the components and tools listed on pages 2 and 3.
- Remove all fittings from the plastic bags and separate them into their groups.
- Keep children and animals away from the work area, small parts could choke if swallowed.
- Make sure you have enough space to layout the parts before starting.
- Do not stand or put weight on the product, this could cause damage.
- Assemble the item as close to its final position (in the same room) as possible.
- Assemble on a soft level surface to avoid damaging the unit or your floor (use opened out unit carton).



·We do not recommend the use of power drill/drivers **for inserting screws**, as this could damage the unit. Only use hand screwdrivers.

·**Safety note:** If there is any chance of this unit being pulled over by children etc. it is recommended that the unit is secured to a wall using suitable fixings (not supplied).

·Dispose of all packaging carefully and responsibly.

CARE AND MAINTENANCE

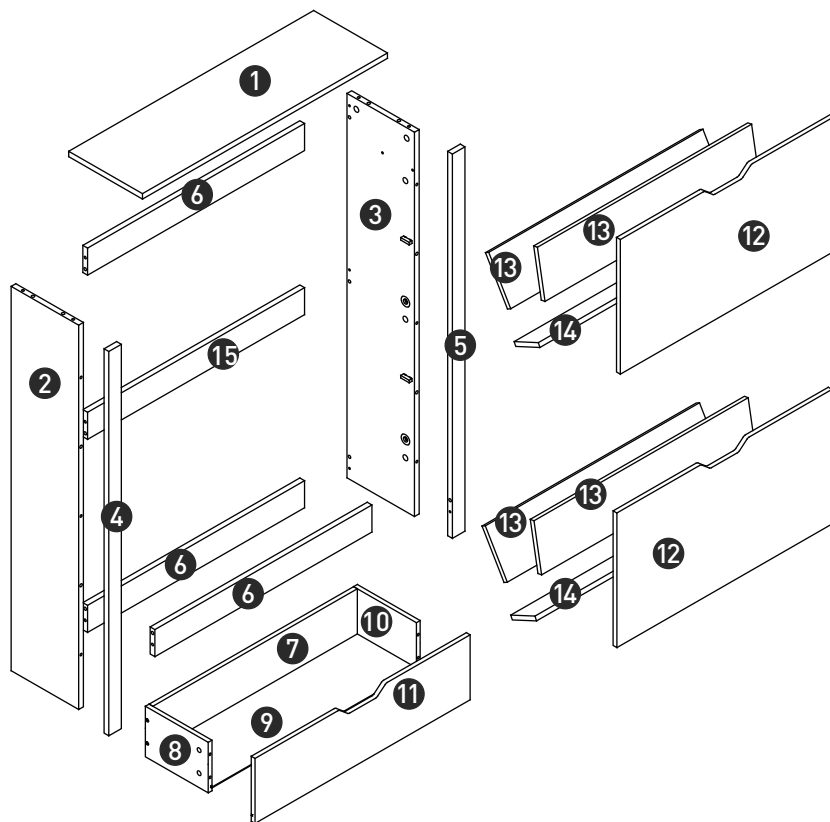
- Only clean using a damp cloth and mild detergent, do no use bleach or abrasive cleaners.
- From time to time check that there are no loose screws on this unit.

·This product should not be discarded with household waste. Take to your local authority waste disposal center.

Note: *If required the next page can be cut out and used as reference throughout the assembly. Keep this page with these instructions for future reference*

COMPONENTS — PANELS

Please check you have all the panels listed below:



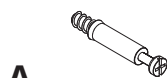
PANEL LIST

1	Top Panel(SC013 - 01)	x1	9	Drawer Bottom Panel(SC013 - 09)	x1
2	Left Side Panel (SC013 - 02)	x1	10	Drawer Right Panel(SC013 - 10)	x1
3	Right Side Panel (SC013 - 03)	x1	11	Drawer Front Panel(SC013 - 11)	x1
4	Left Front Trim(SC013 - 04)	x1	12	Door(SC013 - 12)	x2
5	Right Front Trim(SC013 - 05)	x1	13	Divider Panel(SC013 - 13)	x4
6	Crossing Bar (SC013 - 06)	x3	14	Bottom Panel(SC013 - 14)	x2
7	Drawer Back Panel(SC013 - 07)	x1	15	Crossing Bar (SC013 - 15)	x1
8	Drawer Left Panel(SC013 - 08)	x1			

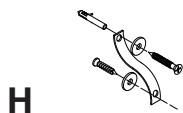


COMPONENTS — FITTINGS

Please check you have all the fittings listed below:



A Metal dowel x 22
SC013 - A



H Anti-topple device x 2
SC013 - H



B Lock Ø15mm x 9.5mm x22
SC013 - B



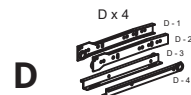
I Plastic stopper x 4
SC013 - I



C Wooden dowel Ø8mm x 16
SC013 - C



J Screw 13mm x 4
SC013 - J



D x 4
D-1
D-2
D-3
D-4
Runner x 1
SC013 - D



K Screw 13mm x 8
SC013 - K



E Plastic rack left x 2
SC013 - E



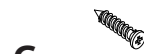
L Drawer stopper x 1
SC013 - L



F Plastic rack right x 2
SC013 - F



M Screw 40mm x 4
SC013 - M



G Screw 14mm x 20
SC013 - G

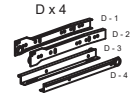


N Foot nail x 4
SC013 - N

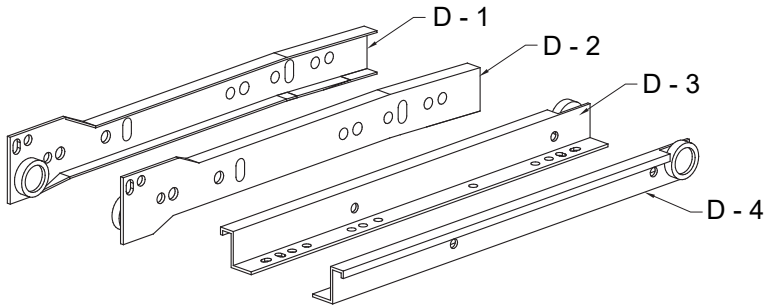


ASSEMBLY INSTRUCTIONS




Step 1

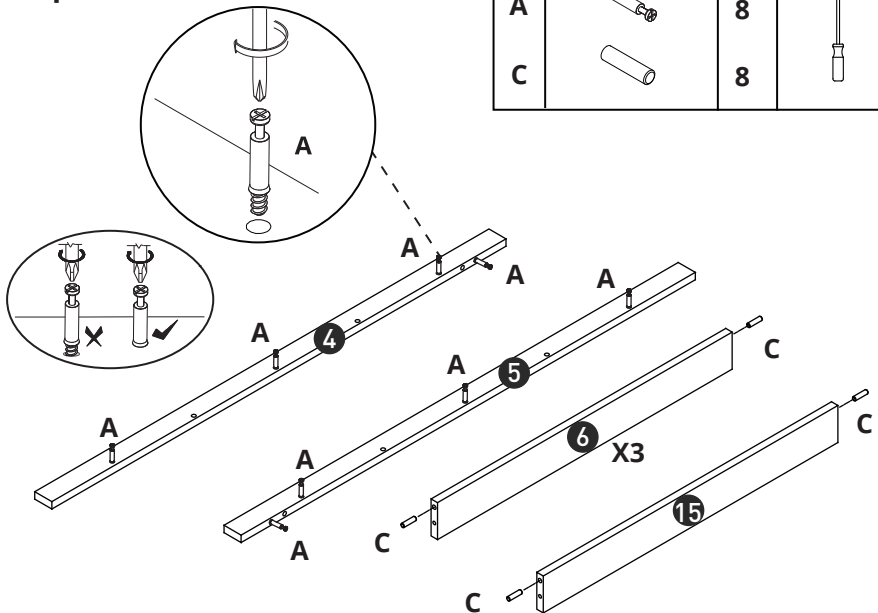
D		1	
---	---	---	--

$$D=(D-1)+(D-2)+(D-3)+(D-4)$$




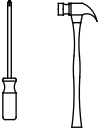
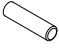



Step 2

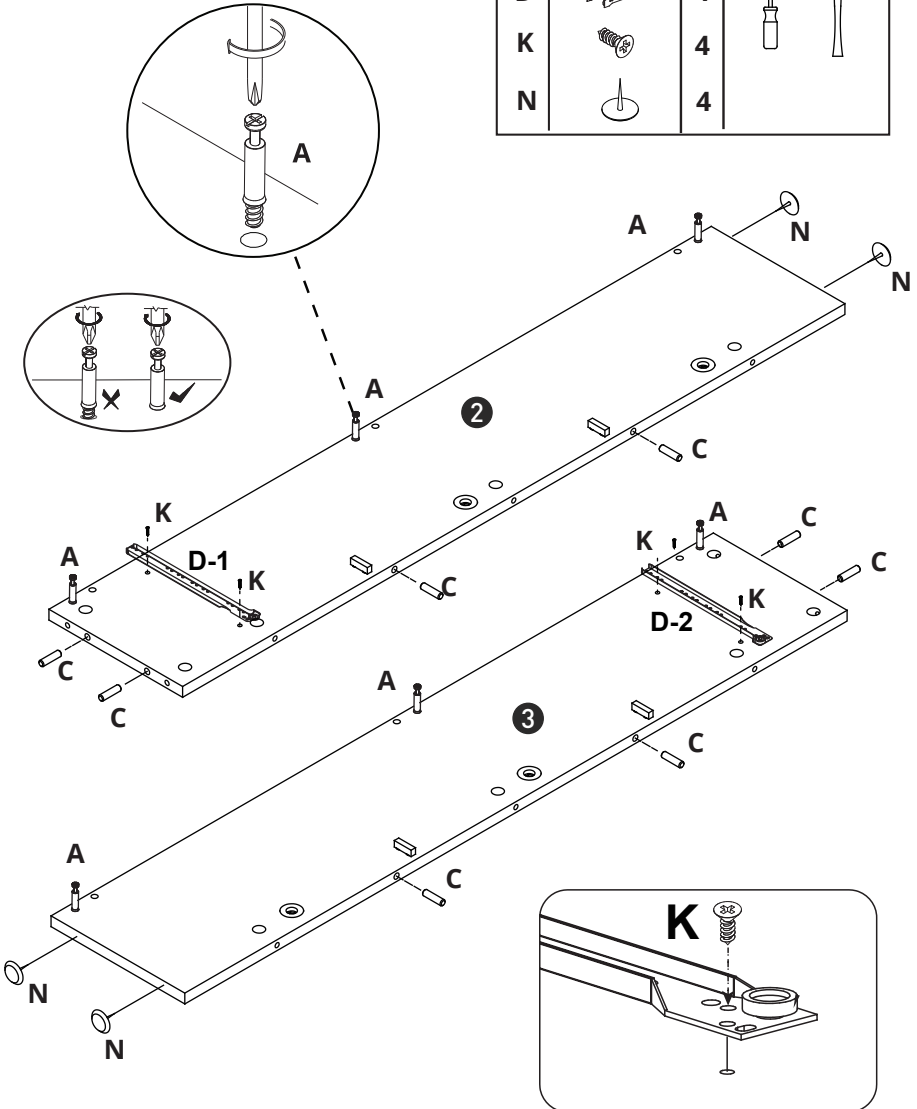
A		8	
C		8	



ASSEMBLY INSTRUCTIONS



Step 3

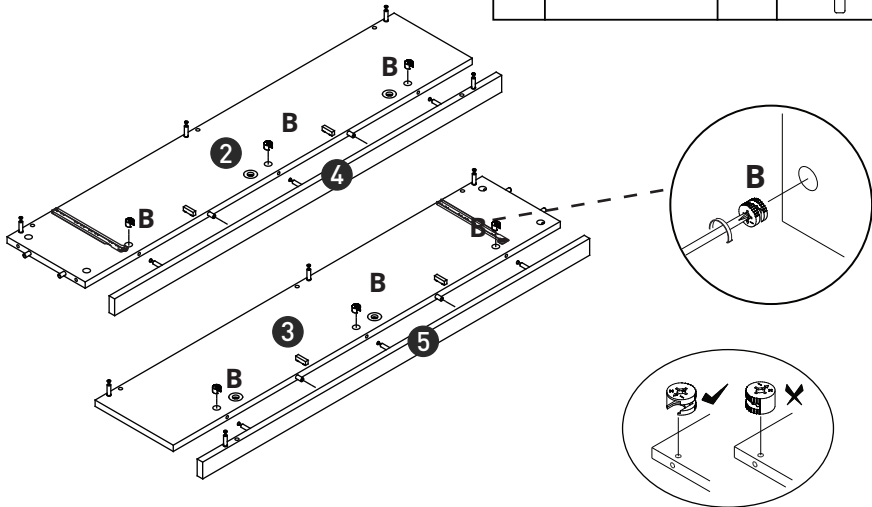
A		6	
C		8	
D		1	
K		4	
N		4	





ASSEMBLY INSTRUCTIONS

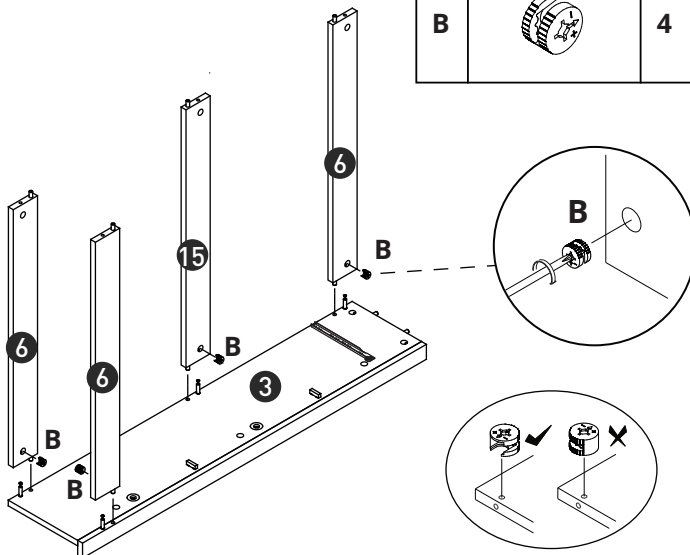
Step 4

B		6	
---	---	---	---



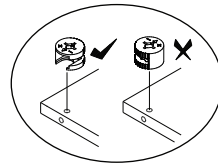
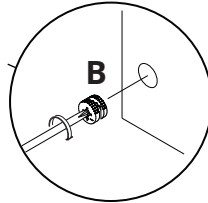
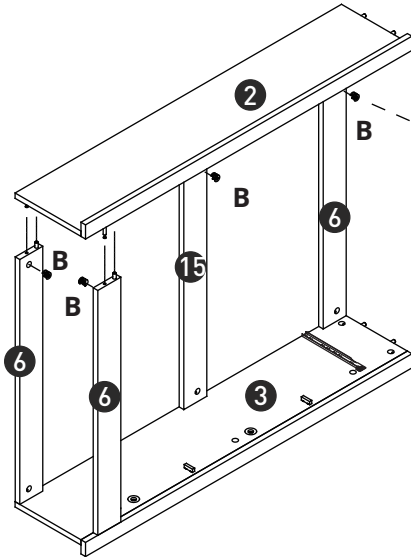
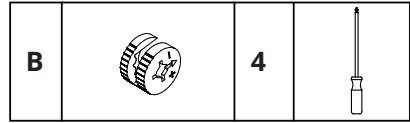
Step 5

B		4	
---	---	---	---

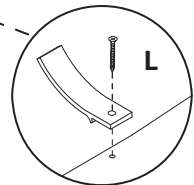
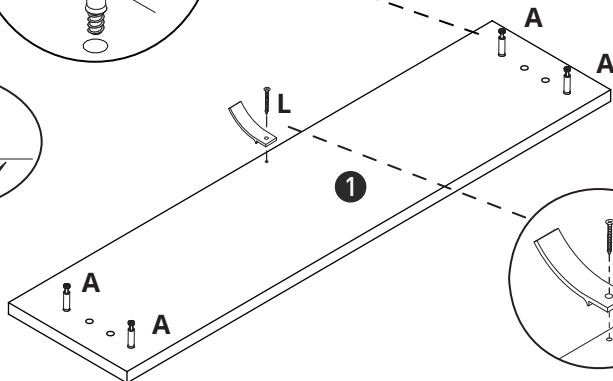
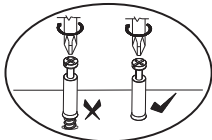
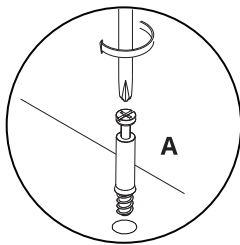
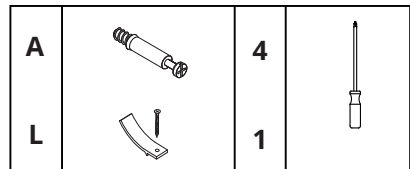


ASSEMBLY INSTRUCTIONS

Step 6

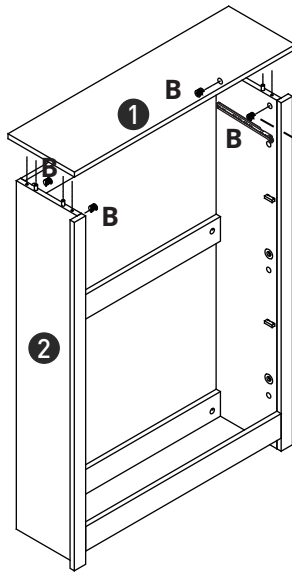




Step 7

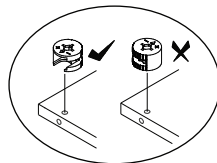
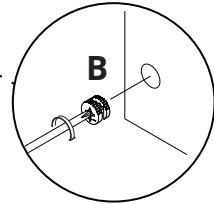


ASSEMBLY INSTRUCTIONS

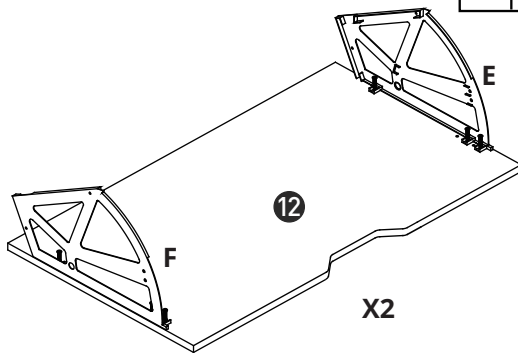
Step 8







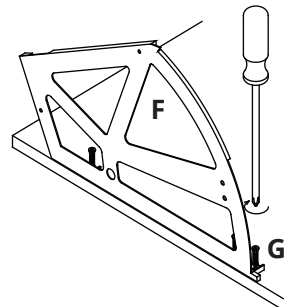
B		4	
---	---	---	---



Step 9





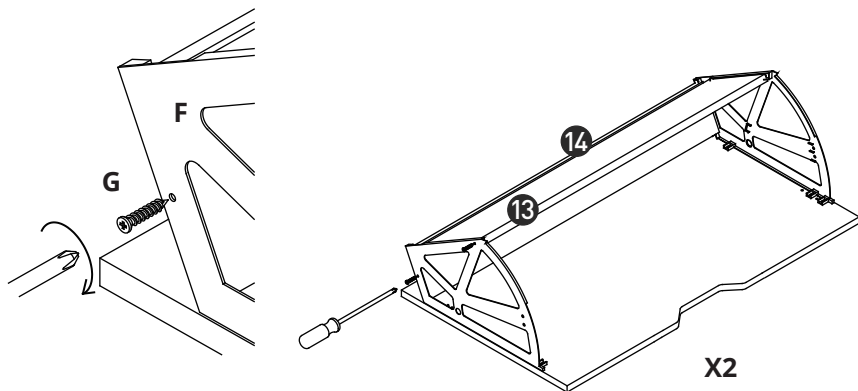
E		2	
F		2	
G		12	






ASSEMBLY INSTRUCTIONS

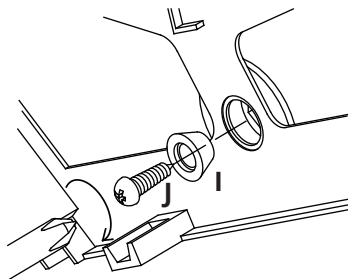
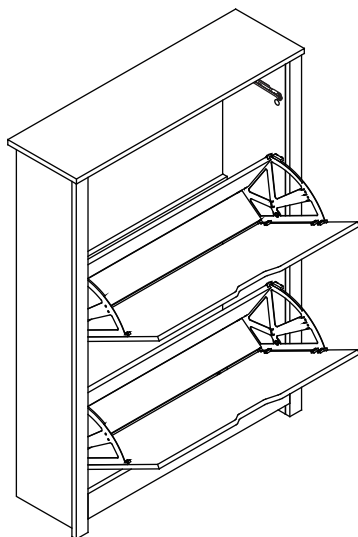
Step 10

G		8	
---	---	---	---



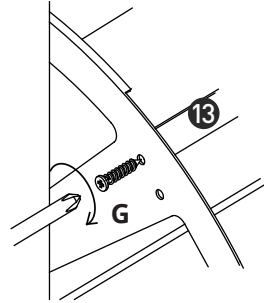
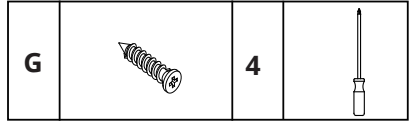
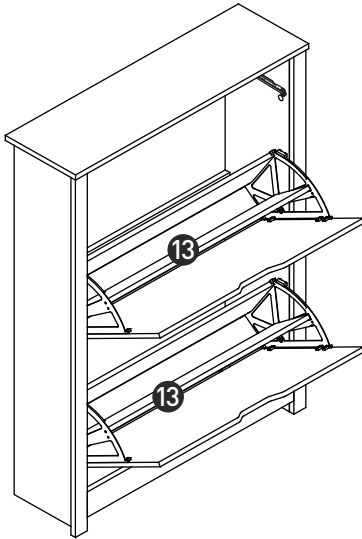
Step 11

I		4	
J		4	

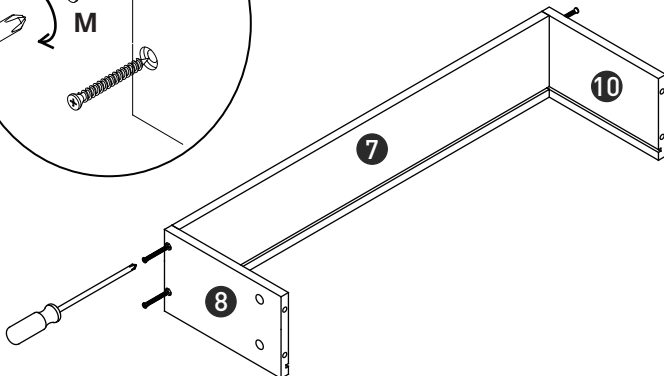
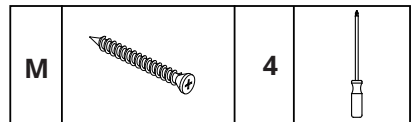
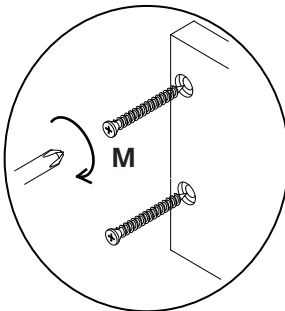


ASSEMBLY INSTRUCTIONS

Step 12

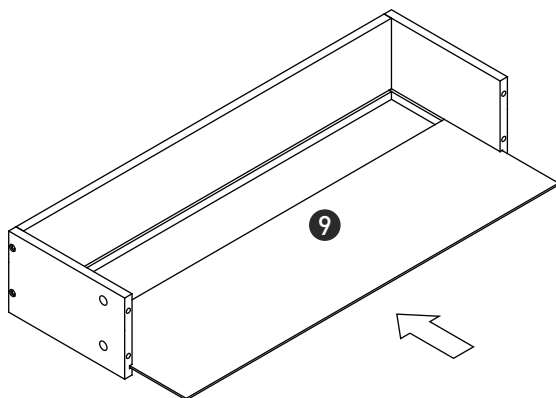


Step 13

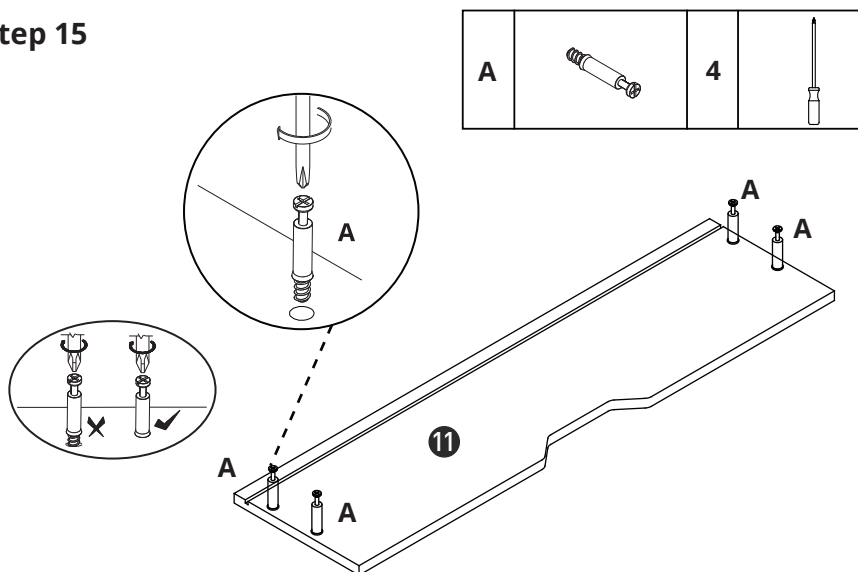


ASSEMBLY INSTRUCTIONS

Step 14

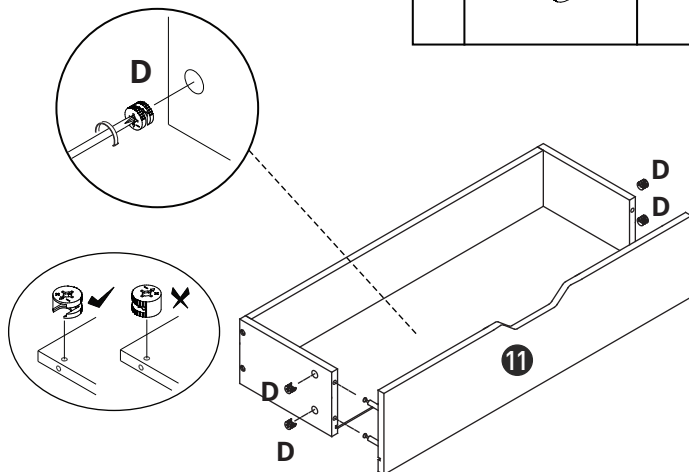
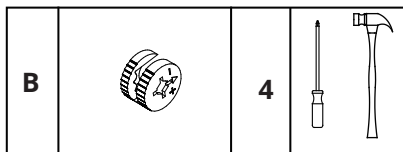


Step 15

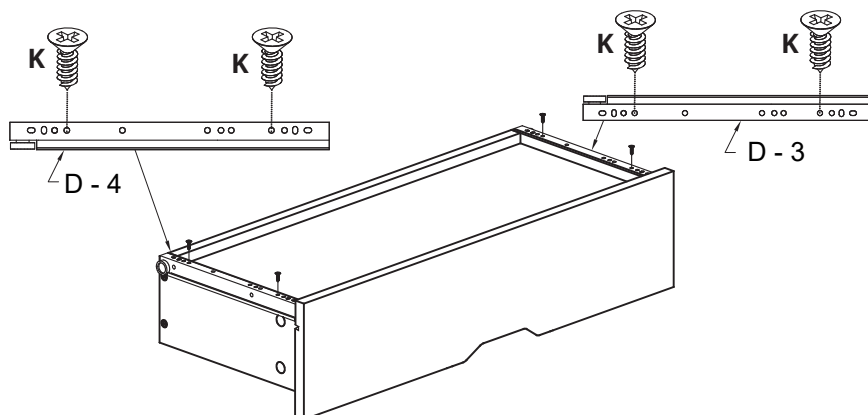
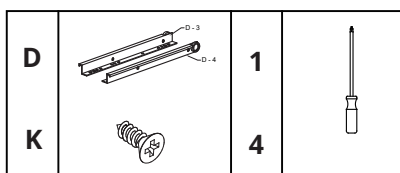


ASSEMBLY INSTRUCTIONS

Step 16

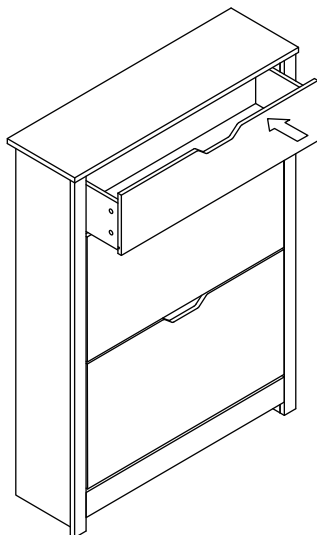


Step 17

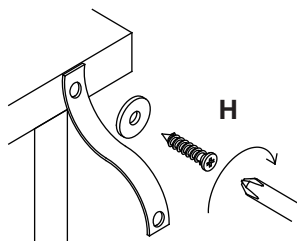
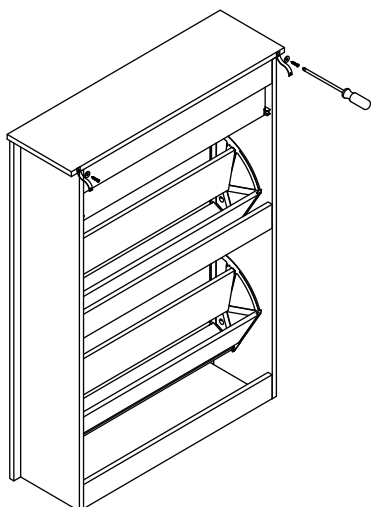
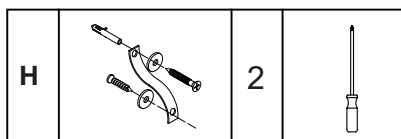


ASSEMBLY INSTRUCTIONS

Step 18

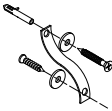



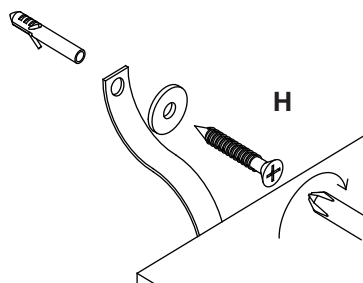
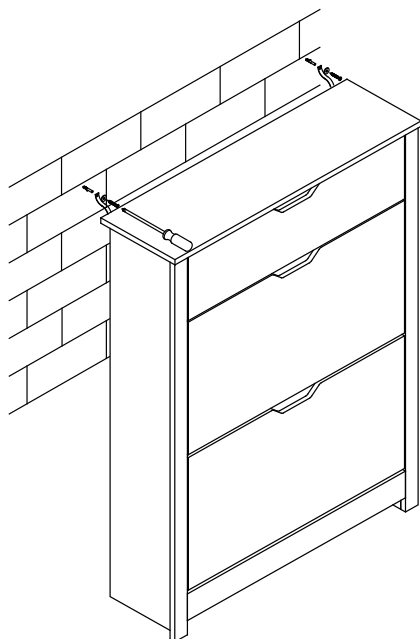
Step 19



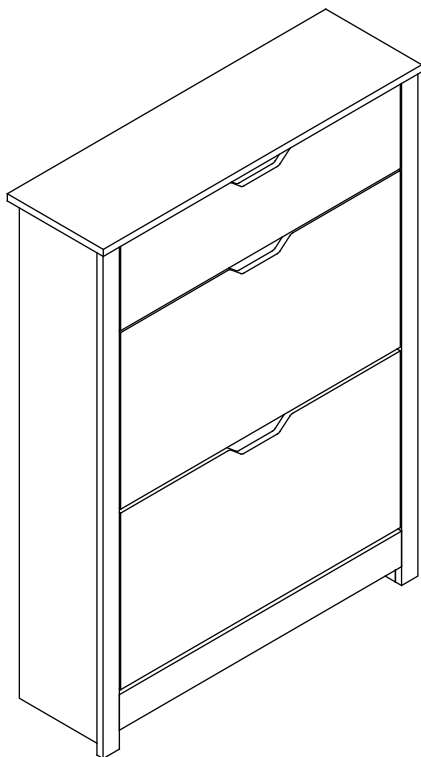
ASSEMBLY INSTRUCTIONS

Step 20

H		2	
---	---	---	---



ASSEMBLY INSTRUCTIONS



Congratulations! Now you have finished assembling the product. There may be some dust or hand marks on your item, we recommend using a standard wood polish to clean this product.

IF YOU FIND A DEFECTIVE PART

We fully stock all parts and components. Any defective part can be quickly replaced. Take note of the defective part number in manual and we will arrange a quick replacement.

You can email our team.

COPYRIGHT

All material in this instruction manual is copyrighted.

Any unauthorised use may violate worldwide copyright, trademark and other laws.

Thank you for purchasing!

Laura James® is a registered trademark of AGTC Ltd.
Made in China for AGTC LTD S35 2PH

www.laura-james.co.uk

Laura James