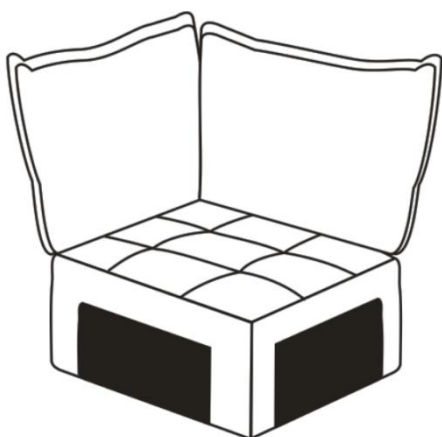


Thank you for purchasing our **SOFA**

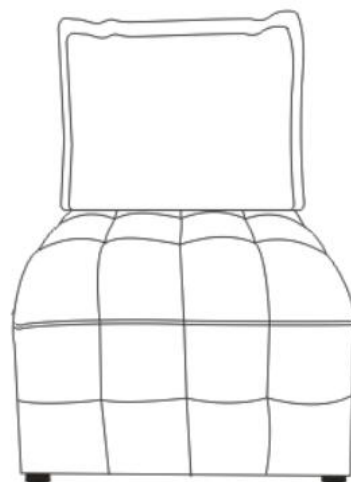
Before you start, here are some helpful advice:

1. We suggest you spend a short time reading through this leaflet and then follow the simple step-by-step instructions.
2. Owing to the size and weight of the sofa, we recommend that it is assembled by two adults, on a carpeted or padded area, in the room that it is intended for. Approximate assembly time: 30 minutes.
3. Please do not use any tools other than those provided or recommended in these instructions.
4. Please do not throw away any of the packaging or the instruction until you have checked all the components and hardware and the furniture is fully assembled. Please ensure that the packaging is disposed of in a safe and environmentally friendly way.
5. Assemble all components loosely until advised to tighten. Depending on use, it may be necessary to tighten the components from time to time, so please save the tools that have been provided.
6. Please keep all pieces out of reach of children.
7. If you have any questions about the product: please send an email to our dedicated customer service and we will reply to your questions within 12 hours.

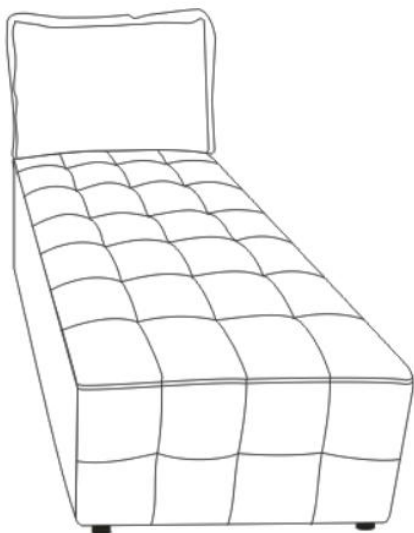
Part-1:



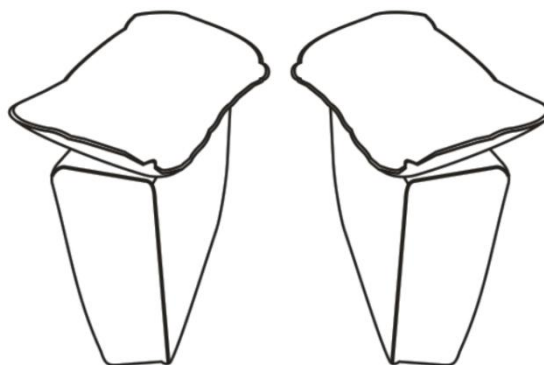
Part-2:



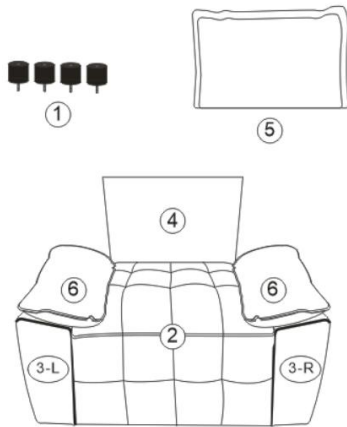
Part-3:



Part-4:



Components:

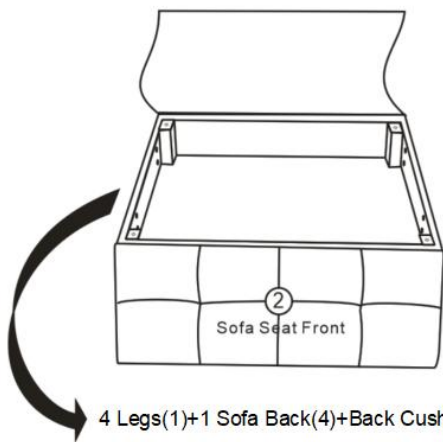


Hardware:

- A. Bolt X8
- B. Flat Washer X8
- C. Nut X4
- D. Felt pad X4

STEP 1:

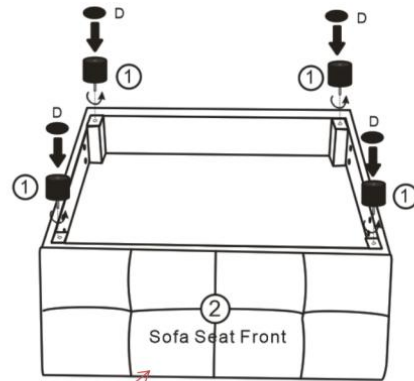
1. Please put **Sofa Seat (2)** upside down on a carpeted or padded surface.
2. Open the Velcro on the bottom of the **Sofa Seat (2)** and take out 4 pieces of **Legs (1)**, **Back Cushions (5)** and hardware bag.



4 Legs(1)+1 Sofa Back(4)+Back Cushion(5)+Hardware bag

STEP 2:

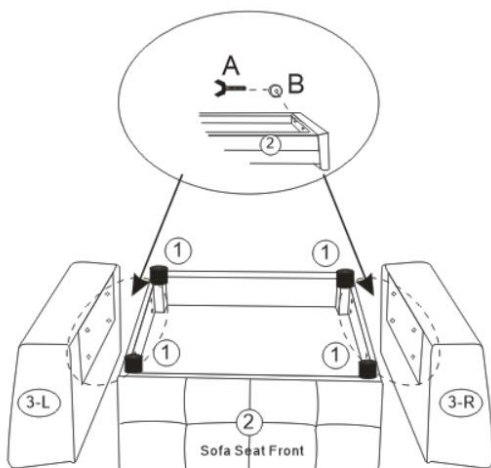
1. Tighten 4 pieces of **Legs (1)** to the front bottom of the **Sofa Seat (2)** clockwise as shown by hand. Then stick 4 pieces of the **Felt Pads (A)** to the bottom of the **Legs (1)**.



The Sofa Seat Front is the same fabric with fabric cover.

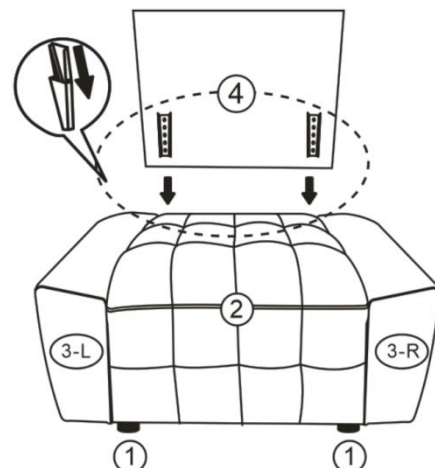
STEP 3:

1. Please carefully turn over **Sofa Seat (2)**.
2. Attach **Left Arm (3-L)** and **Right Arm (3-R)** to the **Sofa Seat (2)** by using 4 pieces of **Bolts (A)** and 4 pieces of **Flat Washer (B)** as shown.



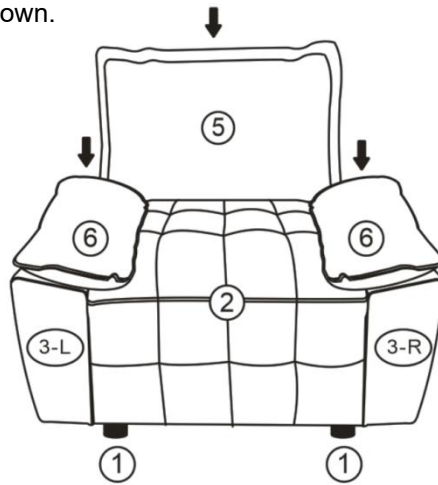
STEP 4:

1. Insert **Sofa Back (4)** to **Sofa Seat (2)** by using the pre-installed Clips on **Sofa Seat (2)**, **Sofa Back (4)** to lock each other as shown.

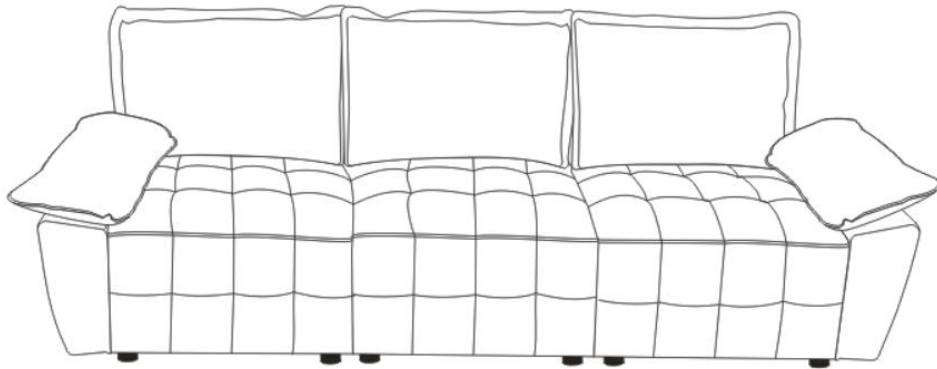


STEP 5

Carefully put **Back Cushion (5)** and 2 pieces of **Pillows (6)** to the assembled **Sofa Seat (2)**, **Left Arm (3-L)**, **Right Arm (3-R)** and **Sofa Back (4)** as shown.

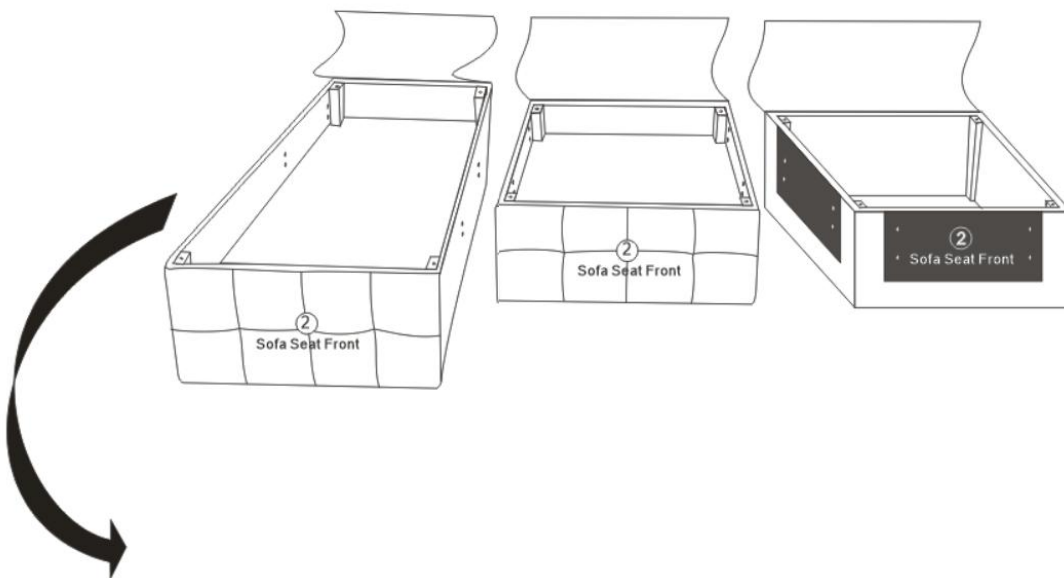


More is available:



STEP 1: (More options)

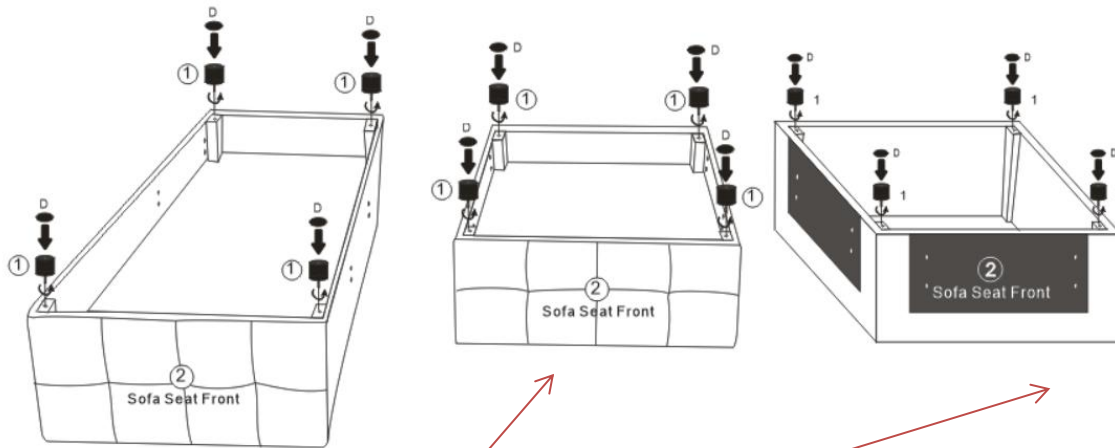
1. Please put **Sofa Seat (2)** upside down on a carpeted or padded surface.
2. Open the Velcro at the bottom of the **Sofa Seat (2)** and take out 4 pieces of **Legs (1)**, **Sofa Back (4)**, **Back Cushions (5)** and hardware bag.



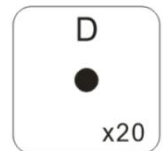
4 Legs(1)+ Sofa Back(4)+Back Cushion(5)+Hardware bag

STEP 2:

1. Tighten 4 pieces of **Legs (1)** to the front bottom of the **Sofa Seat (2)** clockwise as shown by hand. Then stick 4 pieces of the **Felt Pads (A)** to the bottom of the **Legs (1)**.



The Sofa Seat Front is the same fabric with fabric cover.



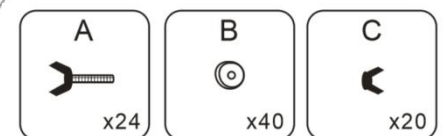
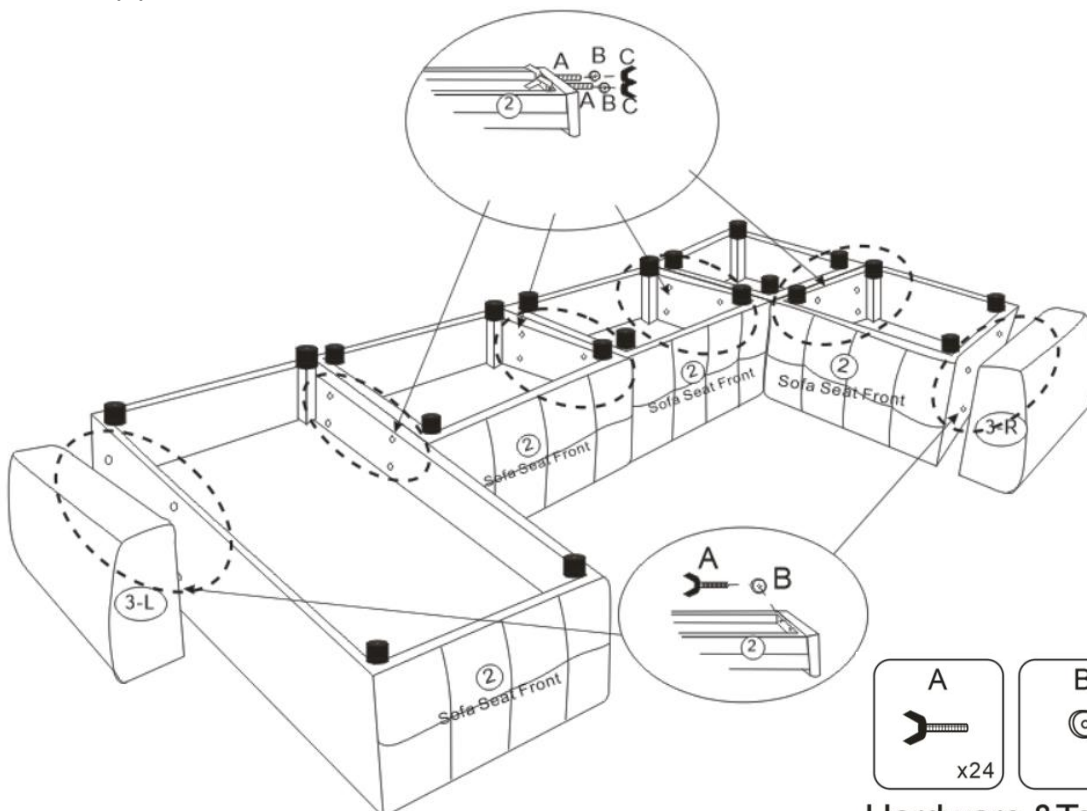
Hardware & Tools Required

STEP 3:

1. Please carefully turn over 5 pieces of **Sofa Seat (2)**.

2. Attach **Left Arm (3-L)** and **Right Arm (3-R)** to the **Sofa Seat (2)** by using 8 pieces of **Bolts (A)** and 8 pieces of **Flat Washer (B)** as shown with Figure .

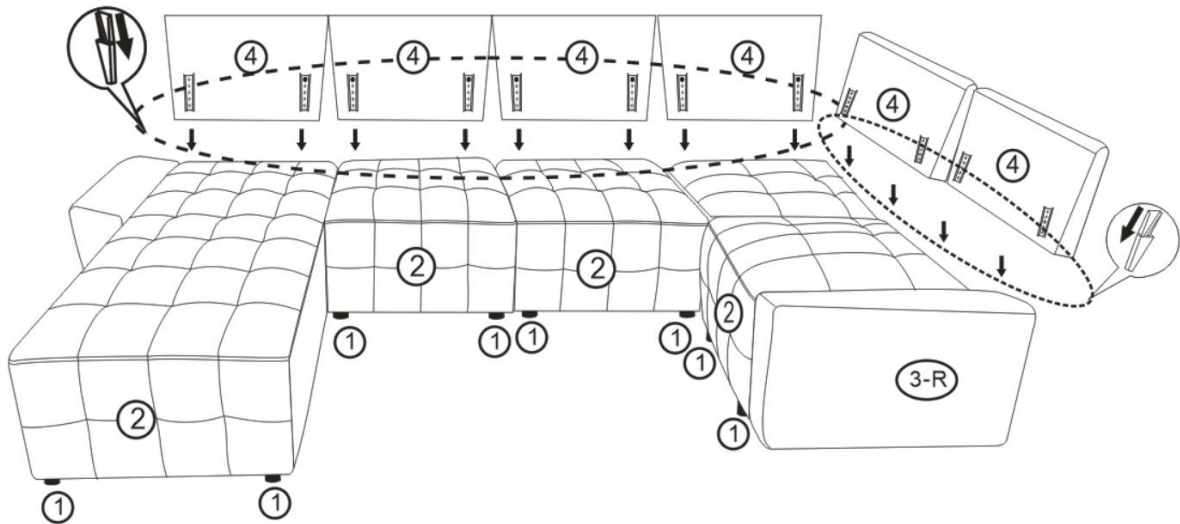
3. Attach 5 pieces of **Sofa Seat (2)** by using 16 pieces of **Bolts (A)** , 16 pieces of **Flat Washer (B)** as shown, Then tighten all **Nuts (E)**.



Hardware & Tools Required

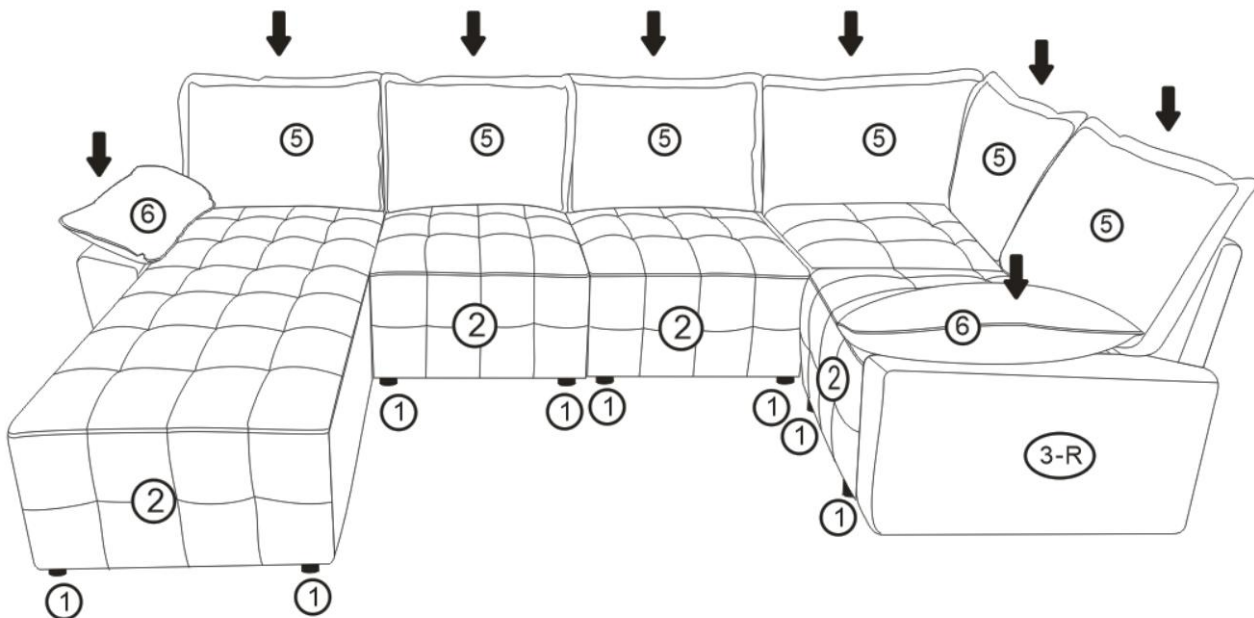
STEP 4:

1. Insert 6 pieces of **Sofa Back (4)** to 5 pieces of **Sofa Seat (2)** by using the pre-installed Clips on **Sofa Seat (2)**, **Sofa Back (4)** to lock each other as shown.



STEP 5

Carefully put 6 pieces of **Back Cushion (5)** and 2 pieces of **Pillows (6)** to the assembled 5 pieces of **Sofa Seat (2)**, **Left Arm (3-L)**, **Right Arm (3-R)** and **Sofa Back (4)** as shown.



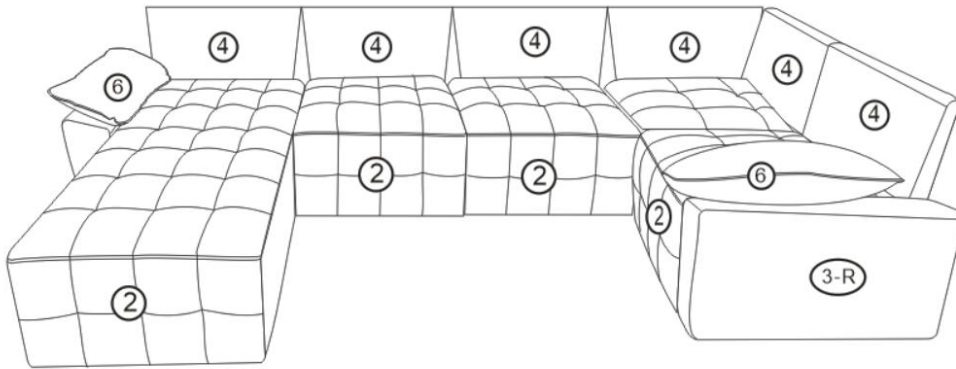
Components:



①



⑤



1. Leg x20

2. Sofa Seat x5

3-L. Left Arm x1

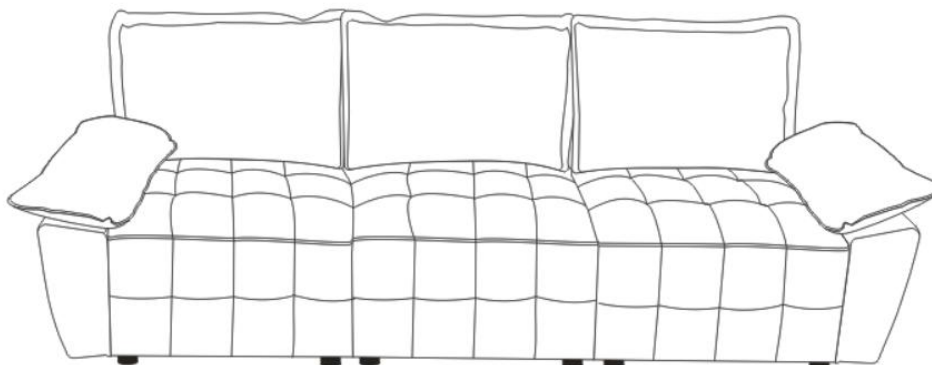
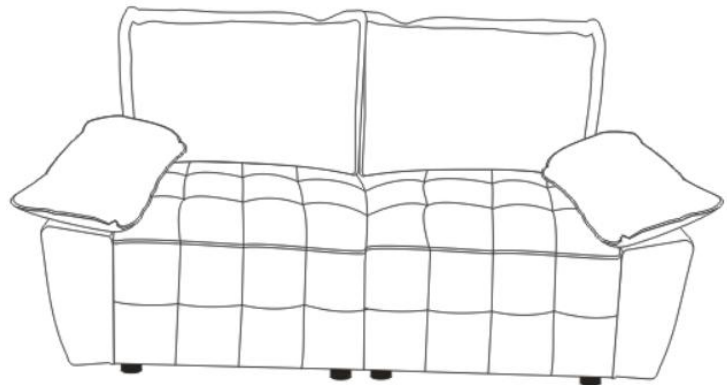
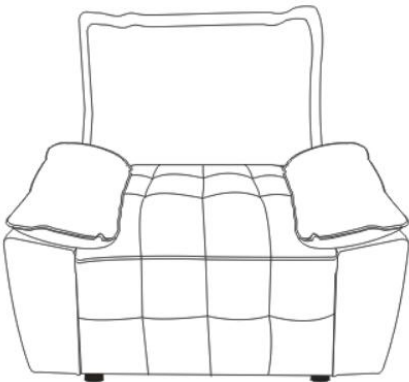
3-R. Right Arm x1

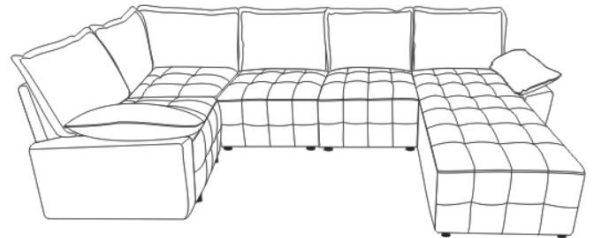
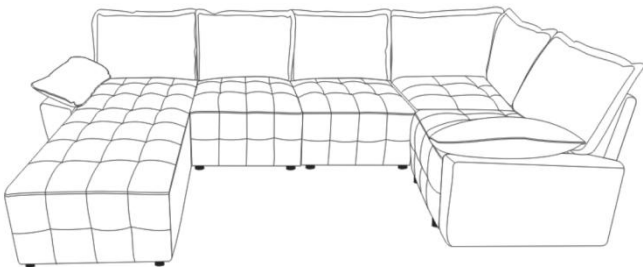
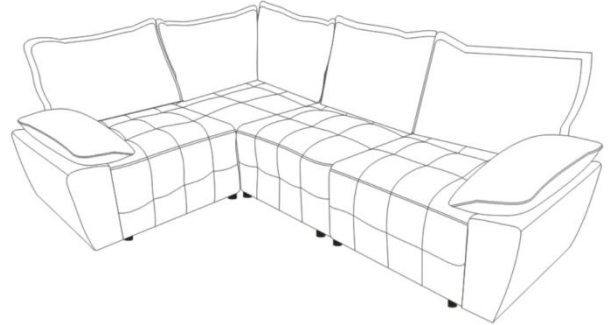
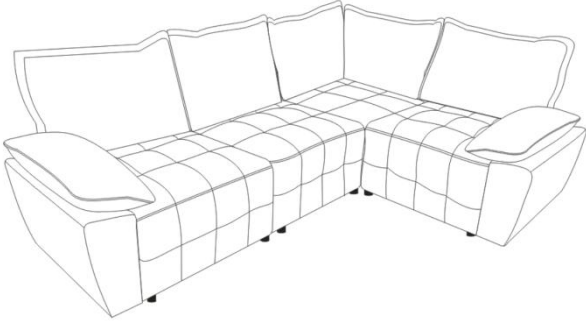
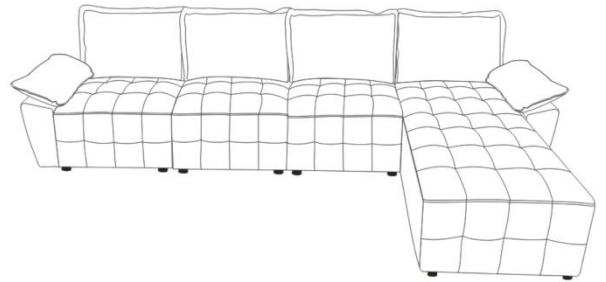
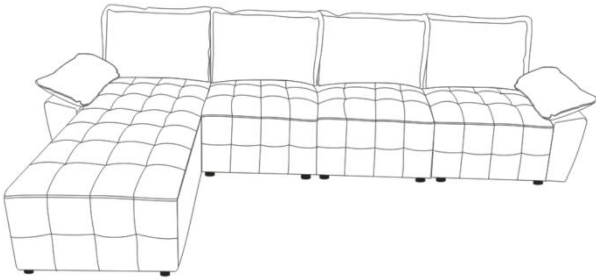
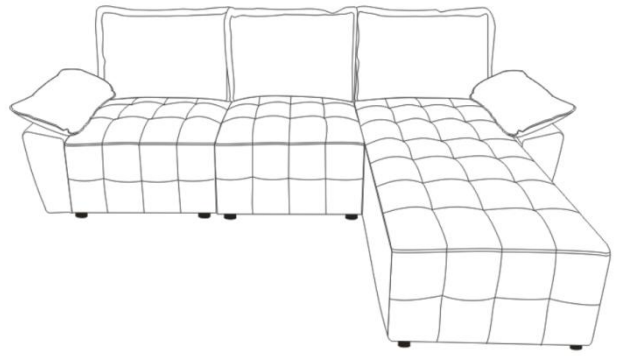
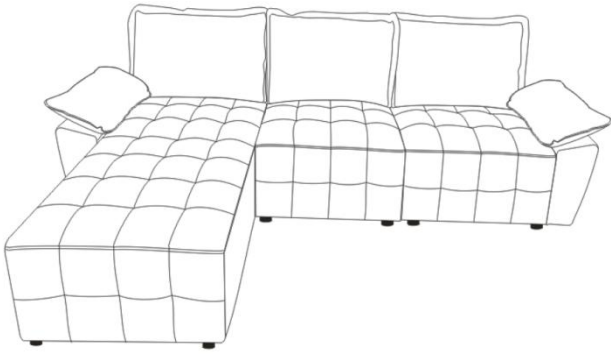
4. Sofa Back x6

5. Back Cushion x6

6. Pillows x2

Thank you for the assembly. The assembly is complete. Your sofa is ready to enjoy now -- From FDL





More options is available