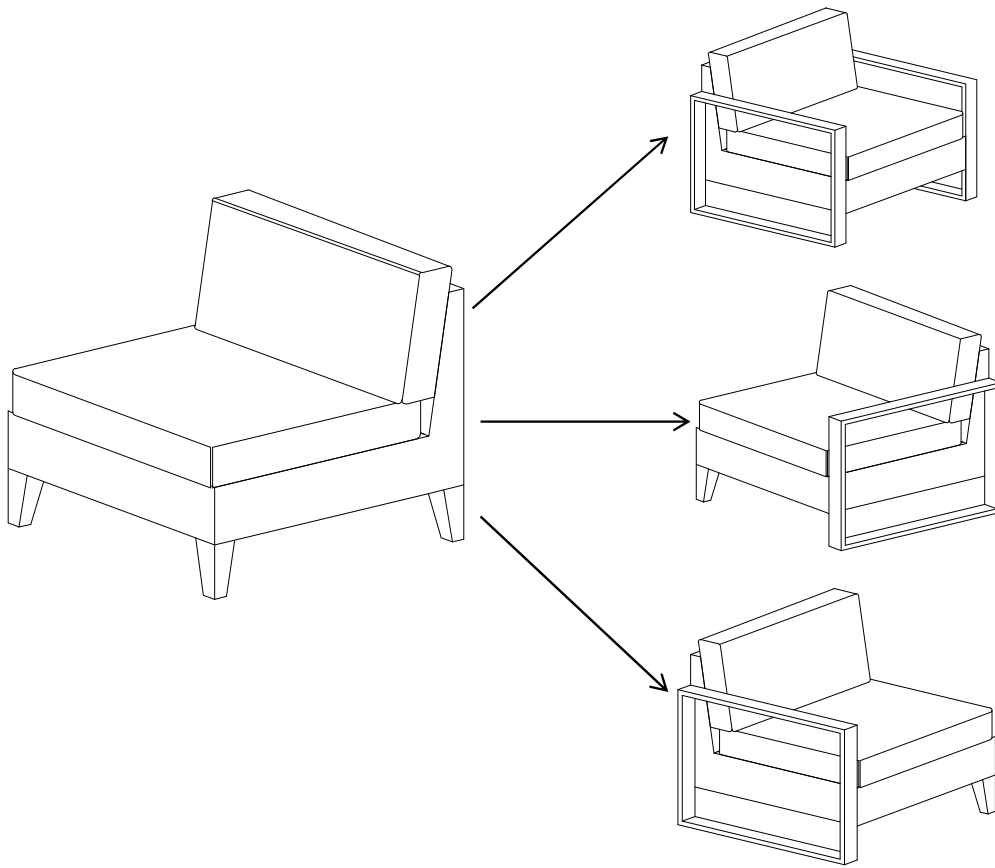


# Assembly Instructions



**Assembly  
Video**

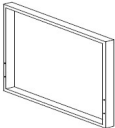
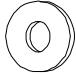


For any missing hardware, damaged parts and other problems.  
WELCOME to email us at: [service@behousewell.com](mailto:service@behousewell.com)

Or call at 1-888-733-8169 Toll free  
Between 9AM and 5PM Eastern time, Monday through Friday

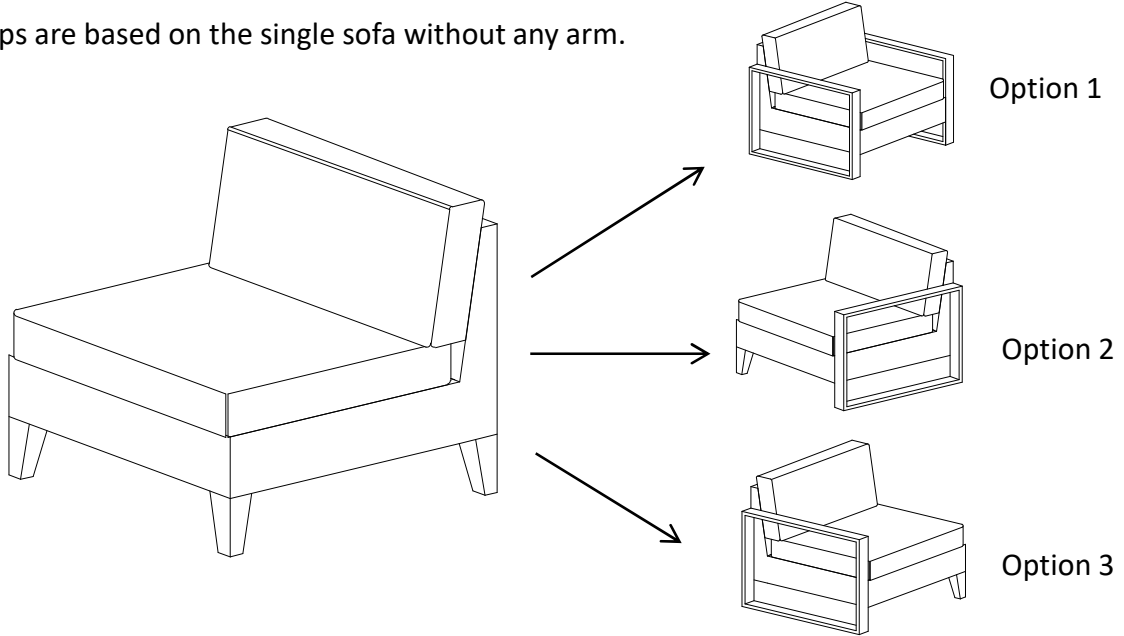
**\*Don't fully tighten all the bolts till the very end!**

## PRE-ASSEMBLY PREPARATION:

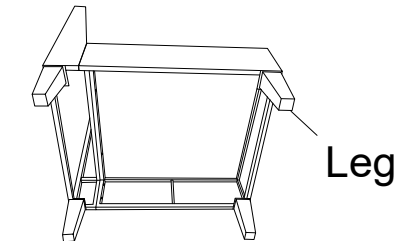
- Please read through the instructions before beginning assembly.
- Clear out the space for assembly and lay out all of the parts based on the Parts List, extra room will allow you to easily determine if all the pieces are present.
- Keep small parts and pieces away from children until fully assembled.

Part no.	Part	QTY	Image	Part no.	Part	QTY	Image
A	Arm	2		C	Washer Ø16*Ø6.5*1mm	8	
B	Bolt (M6*30mm)	8		D	Allen Wrench	1	

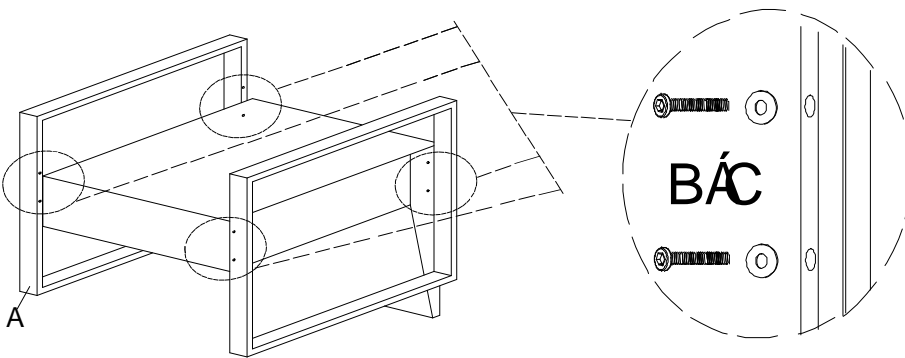
The assembly steps are based on the single sofa without any arm.





**Option 1 step 1:** Please remove 4pcs legs from the single sofa without any arm.



**Option 1 step 2:** Attach 2pcs arms A to seat and back with 8pcs bolts B and 8pcs washers C, using Allen wrench D.



B		M6*30	8
C		Ø16*Ø6.5*1	8

**Option 2 and option 3:** Please remove 2pcs legs and assemble 1pc arm to seat and back, assembly steps are same as option 1.