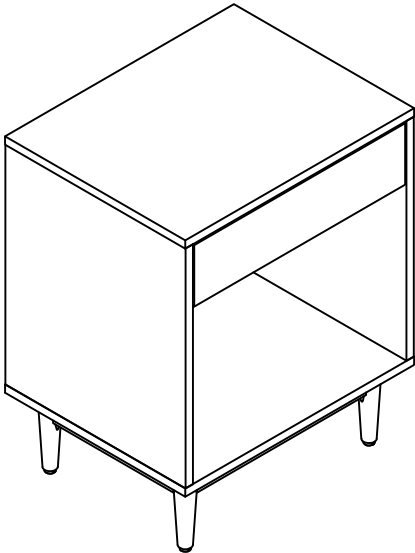
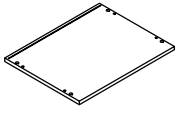
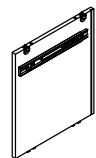
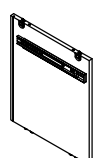

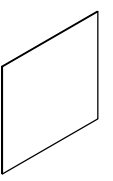

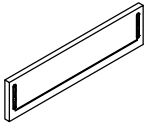
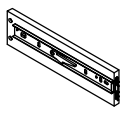
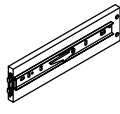
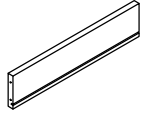
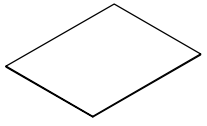




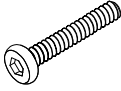



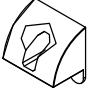
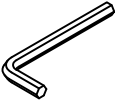
Record Storage End Table



PART LIST

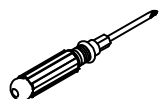
<p>A</p> 	<p>B</p> 	<p>C</p> 	<p>D</p> 	<p>E</p> 
<p>Top Panel 1 PC</p>	<p>Left Panel 1 PC</p>	<p>Right Panel 1 PC</p>	<p>Bottom Panel 1 PC</p>	<p>Back Panel 1 PC</p>
<p>F</p> 	<p>G</p> 	<p>H</p> 	<p>I</p> 	<p>J</p> 
<p>Leg 4 PCS</p>	<p>Drawer Front Panel 1 PC</p>	<p>Drawer Left Panel 1 PC</p>	<p>Drawer Right Panel 1 PC</p>	<p>Drawer Back Panel 1 PC</p>
<p>K</p>  <p>Drawer Bottom Panel 1 PC</p>				

HARDWARE LIST

<p>#1</p>  <p>Ø3*15mm</p>	<p>#2</p>  <p>Ø3*30mm</p>	<p>#3</p>  <p>Ø1/4"*1-1/2"</p>	<p>#4</p>  <p>Ø1/4"</p>	<p>#5</p>  <p>Ø1/4"</p>
<p>Screw</p> <p>4 PCS</p>	<p>Long Screw</p> <p>4 PCS</p>	<p>Bolt</p> <p>8 PCS (Extra 1)</p>	<p>Flat Washer</p> <p>8 PCS (Extra 1)</p>	<p>Spring Washer</p> <p>8 PCS (Extra 1)</p>
<p>#6</p>  <p>Ø8*30mm</p>	<p>#7</p> 	<p>#8</p>  <p>4mm</p>		
<p>Wood Dowel</p> <p>4 PCS</p>	<p>Back Bracket</p> <p>4 PCS</p>	<p>Allen Wrench</p> <p>1 PC</p>		

ADDITIONAL TOOLS (Not Provided)

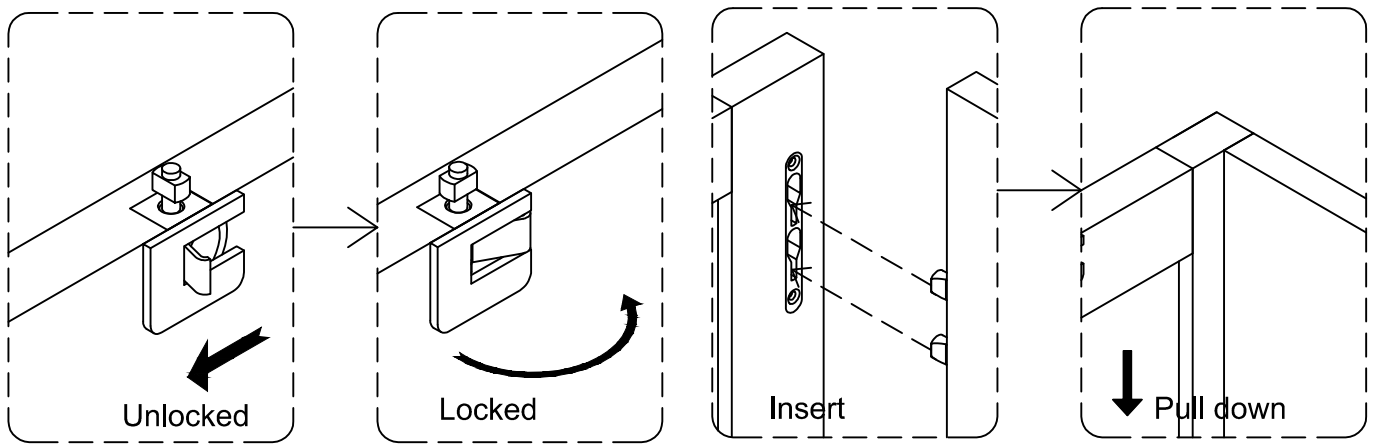
Note: It is not recommended to use power tools during assembly.



Phillips Head Screwdriver

Note: Wood dowels are intended for alignment. Additional clearance between wood dowel and pre-drilled hole is intentional for ease of assembly.

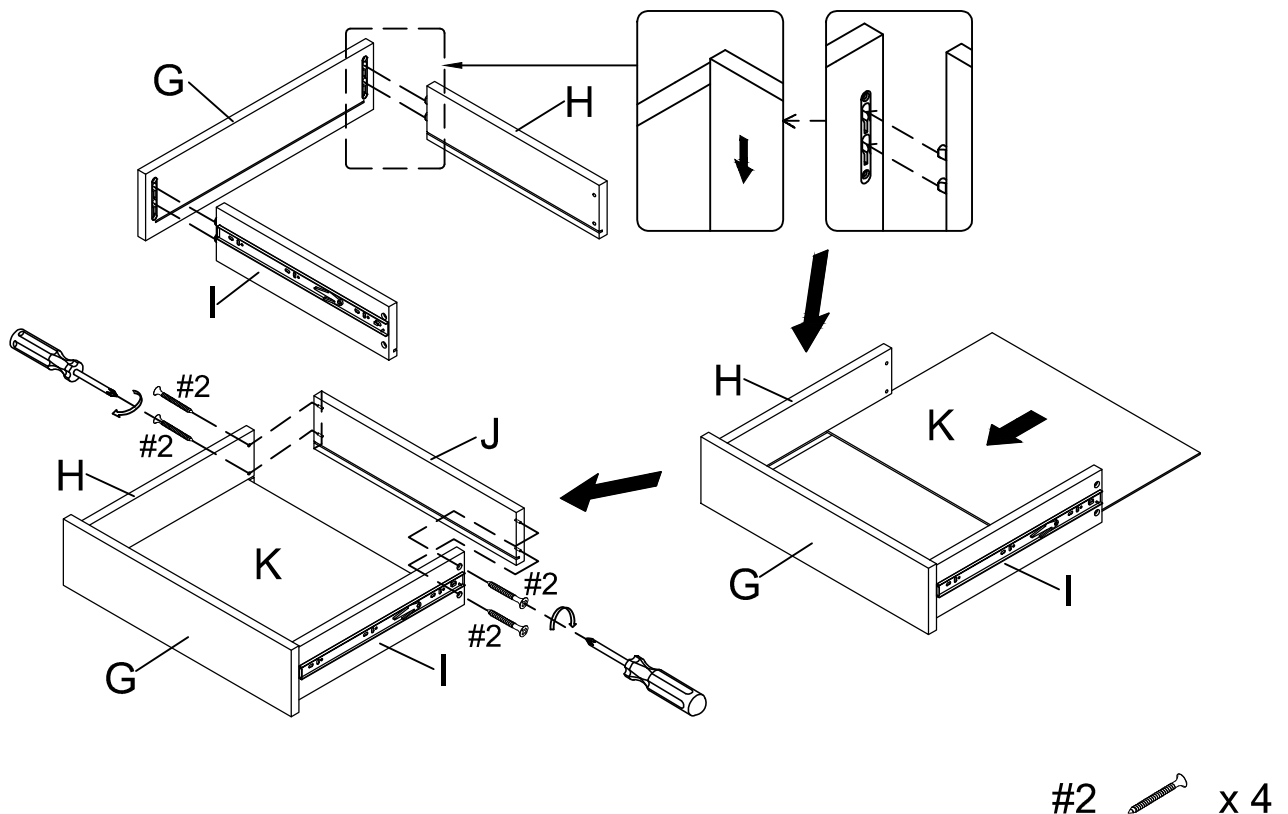
Please do not use tools to assemble this unit unless specifically indicated.



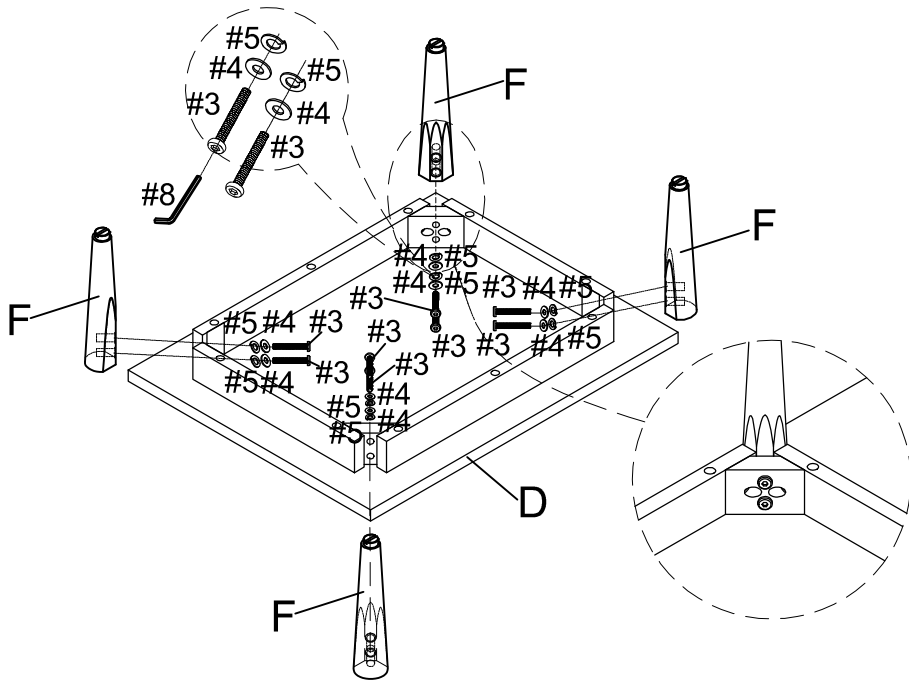
Reference the images above any time the instructions state "lock the hardware" or "insert hardware and pull down to lock".





Be sure to check all hardware is locked when complete.

Step 1. Insert drawer left panel (part H) and drawer right panel (part I) into drawer front panel (part G) pull down to lock. Slide drawer bottom panel (part K) into grooves of assembled unit (parts G, H & I). Attach drawer back panel (part J) to assembled unit (parts H, I & K) using long screws (part #2) and phillips head screwdriver.

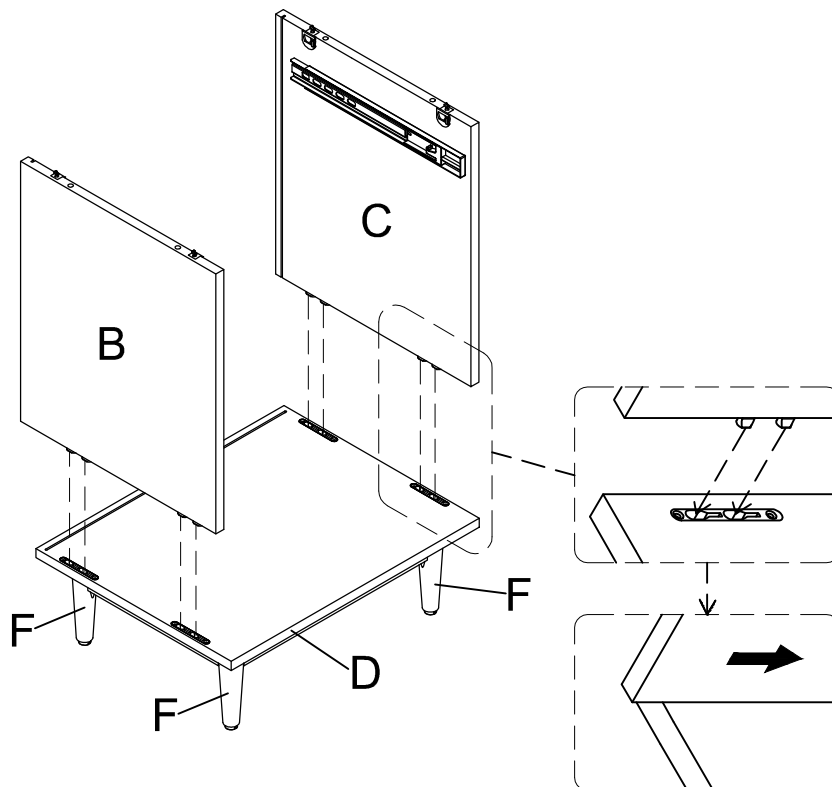


Step 2. Attach legs (part F) to bottom panel (part D) using spring washers (part #5), flat washers (part #4), bolts (part #3) and allen wrench (part #8).

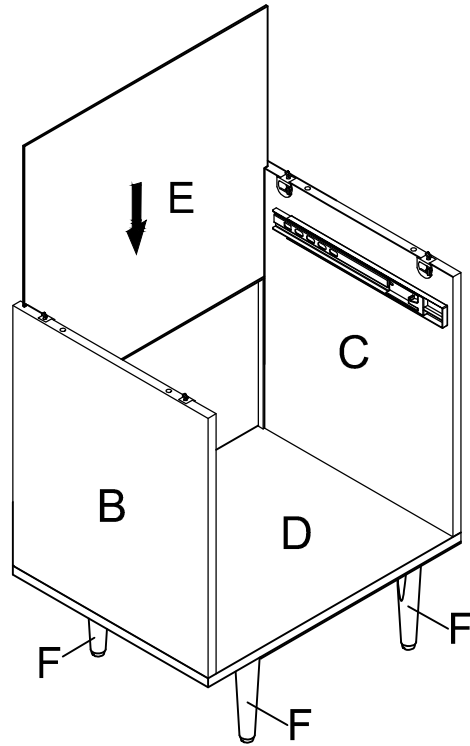


- | | | |
|----|--|-----|
| #3 |  | x 8 |
| #4 |  | x 8 |
| #5 |  | x 8 |
| #8 |  | x 1 |

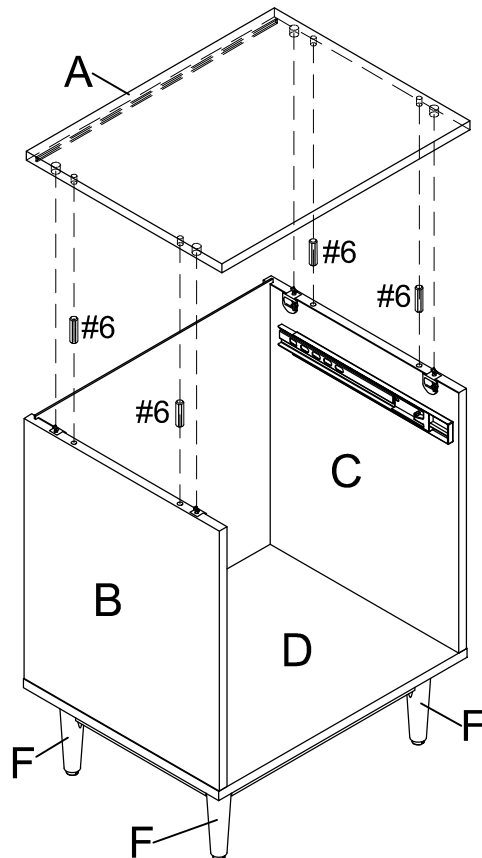
Step 3. Carefully turn unit upright. Attach left panel (part B) and right panel (part C) to bottom panel (part D) pull down to lock.




Step 4. Insert back panel (part E) into grooves of assembled unit (parts B, C & D).



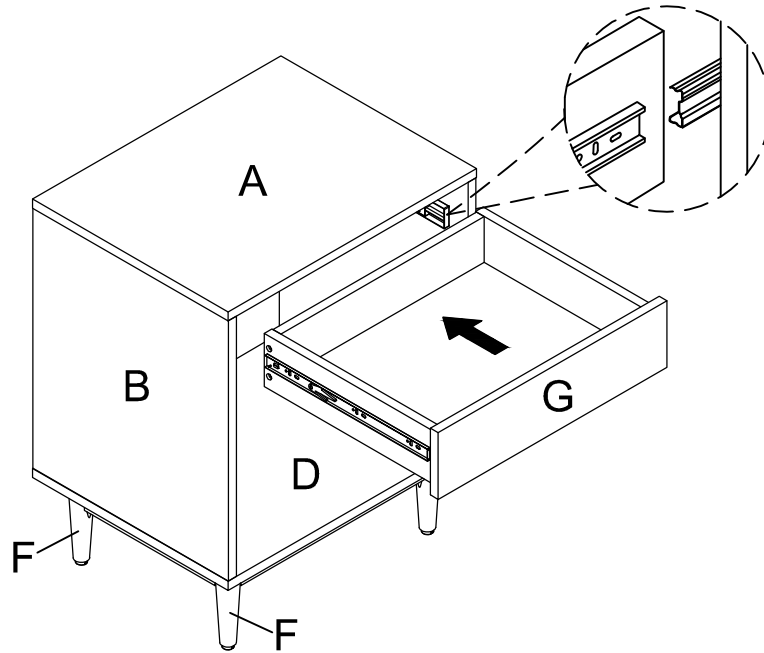
Step 5. Attach top panel (part A) to assembled unit (parts B & C) using wood dowels (part #6) and lock the hardware.



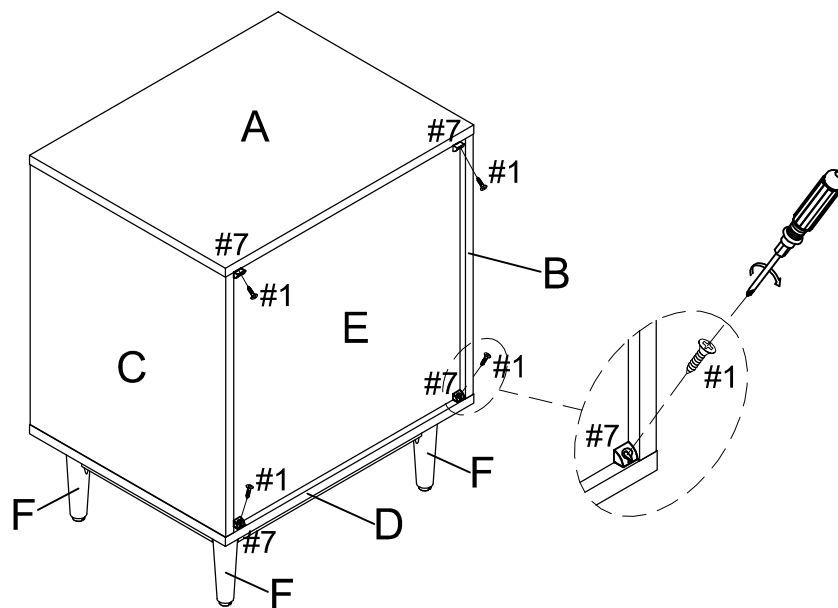
6



#6  x 4

Step 6. Slide assembled drawer into place.



Step 7. Secure back brackets (part #7) at the corner of back panel (part E) using screws (part #1) and phillips head screwdriver.



- | | | |
|----|---|-----|
| #1 |  | x 4 |
| #7 |  | x 4 |