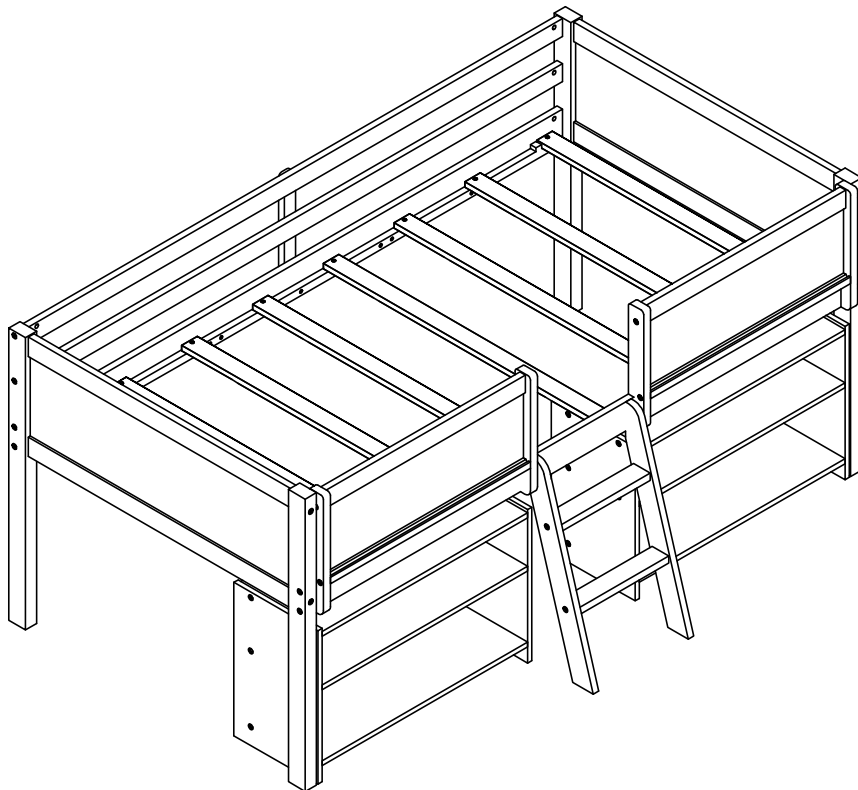


ASSEMBLY INSTRUCTIONS

LOFTBED WITH 2 SHELF



This set is included 1 boxes if don't receive full 1 boxes please contact our customer service team.

WF283286

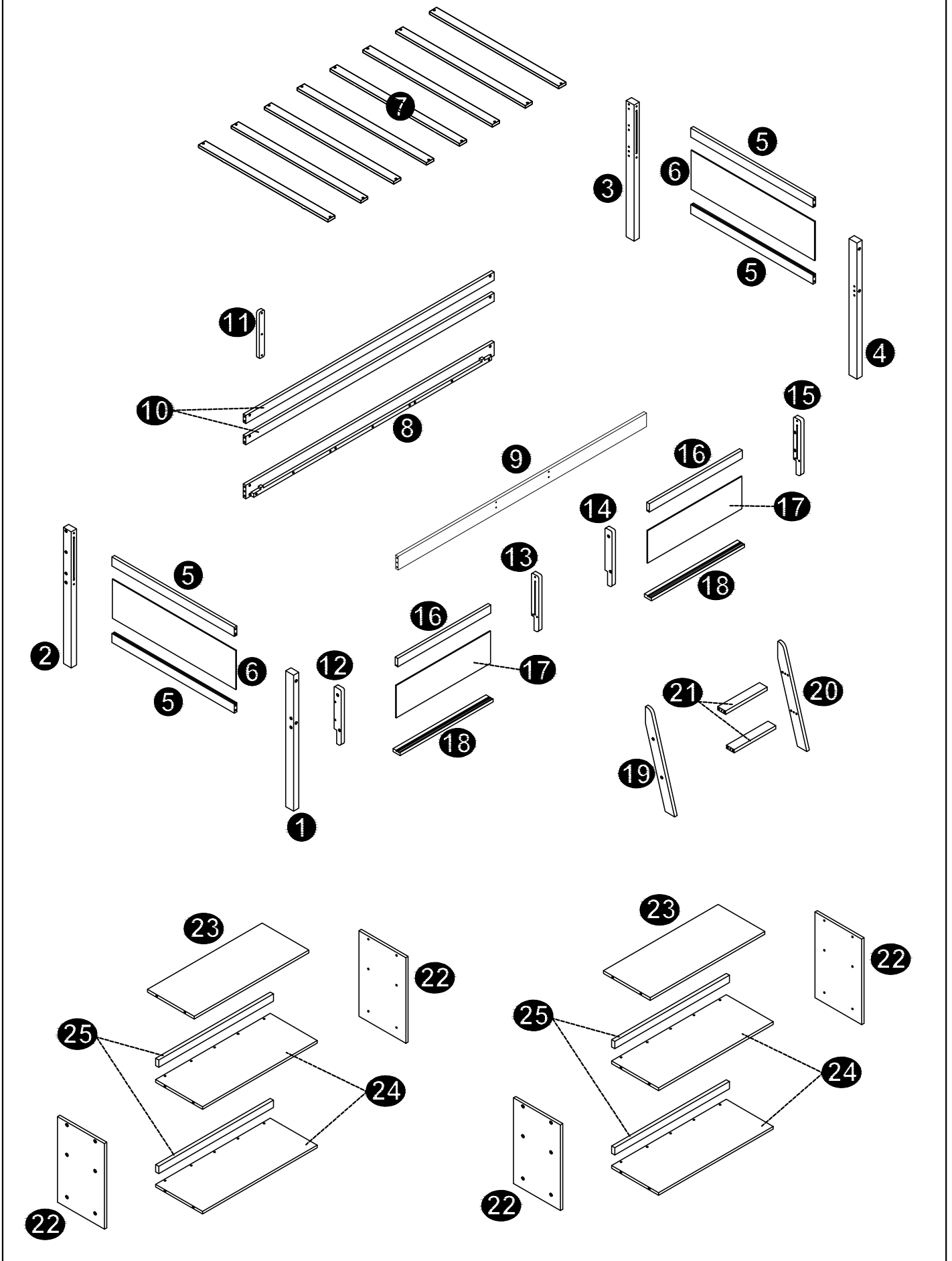
SAFETY WARNINGS AND GENERAL NOTES:

1. Do not use substitute parts. Contact the manufacturer or dealer for replacement parts.
2. Keep these instructions for future reference.
3. We recommend assembling your bed on the shipping carton to protect your floor or carpet.
4. Be certain all staples are out of the box before beginning assembly on the shipping carton.

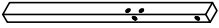
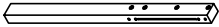
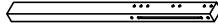
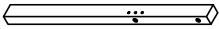
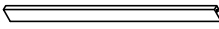
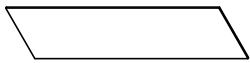
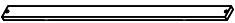




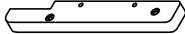
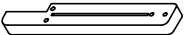
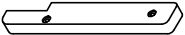




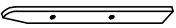
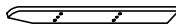
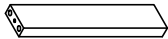
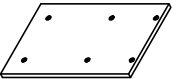

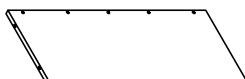

5.Replacement Parts:

Replacement Parts, including additional guardrails, may be obtained from any of our (GIGACLOUD TECHNOLOGY (USA) INC.) dealers

Detail View

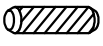



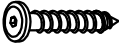

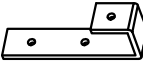
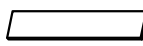






Part List(WF283286)

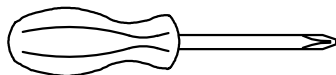
<p>1</p>  <p>Left front foot - 1pc</p>	<p>2</p>  <p>Left hind leg - 1pc</p>	<p>3</p>  <p>Right hind leg - 1pc</p>
<p>4</p>  <p>Right front foot- 1pc</p>	<p>5</p>  <p>Upper crossbar - 4pcs</p>	<p>6</p>  <p>Side plank- 2pc</p>
<p>7</p>  <p>Slat- 8pcs</p>	<p>8</p>  <p>Back bed shoulder- 1pc</p>	<p>9</p>  <p>Front shoulder bed- 1pc</p>
<p>10</p>  <p>Rear railing - 2pcs</p>	<p>11</p>  <p>Handrail - 1pc</p>	<p>12</p>  <p>Left stand- 1pc</p>
<p>13</p>  <p>Left center bar- 1pc</p>	<p>14</p>  <p>Right center bar- 1pc</p>	<p>15</p>  <p>Right side bar- 1pc</p>
<p>16</p>  <p>Front and top horizontal bar- 2pcs</p>	<p>17</p>  <p>Previous game- 2pcs</p>	<p>18</p>  <p>Front and bottom horizontal bar- 2pcs</p>
<p>19</p>  <p>Left foot ladder- 1pc</p>	<p>20</p>  <p>Right foot of ladder- 1pc</p>	<p>21</p>  <p>Step- 2pcs</p>
<p>22</p>  <p>Side panels shelf- 4pcs</p>	<p>23</p>  <p>Upper shelf- 2pcs</p>	<p>24</p>  <p>Partitions- 4pcs</p>
<p>25</p>  <p>Link Quiz- 4pcs</p>		

Part List(WF283286)

Hardware List



A  Ø8*30mm	B  Ø6*100mm	C  Ø1/4"*80mm
Wood dowel (40pcs)	Hex-Head screw (8pcs)	Hex-Head bolt (12pcs)
D  Ø1/4"	E  Ø1/4*30mm	F  Ø1/4*50mm
Horizontal-Hole bolt (12pcs)	Hex-Head screw (7pcs)	Hex-Head screw (16pcs)
G 	H 	I  Ø1/4"*40mm
Hook (2pcs)	Felt stickers (2pcs)	Hex-Head bolt (24pcs)
J  #3*15mm	K  #4*30mm	C  K4mm
Screw (6pcs)	Screw (28pcs)	Allen key (1pc)

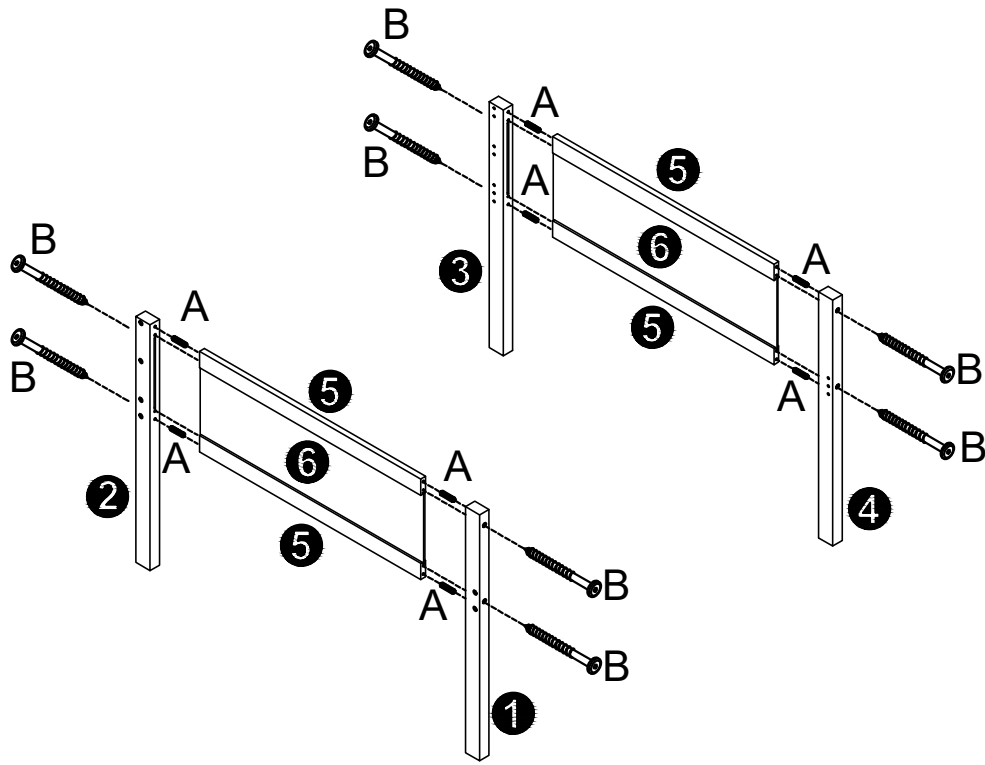
ASSEMBLY TOOLS REQUIRED (NOT INCLUDED)






PLEASE BE CAREFUL DO NOT DAMAGE THE HOLE POSITION WHEN YOU USE POWER TOOLS !

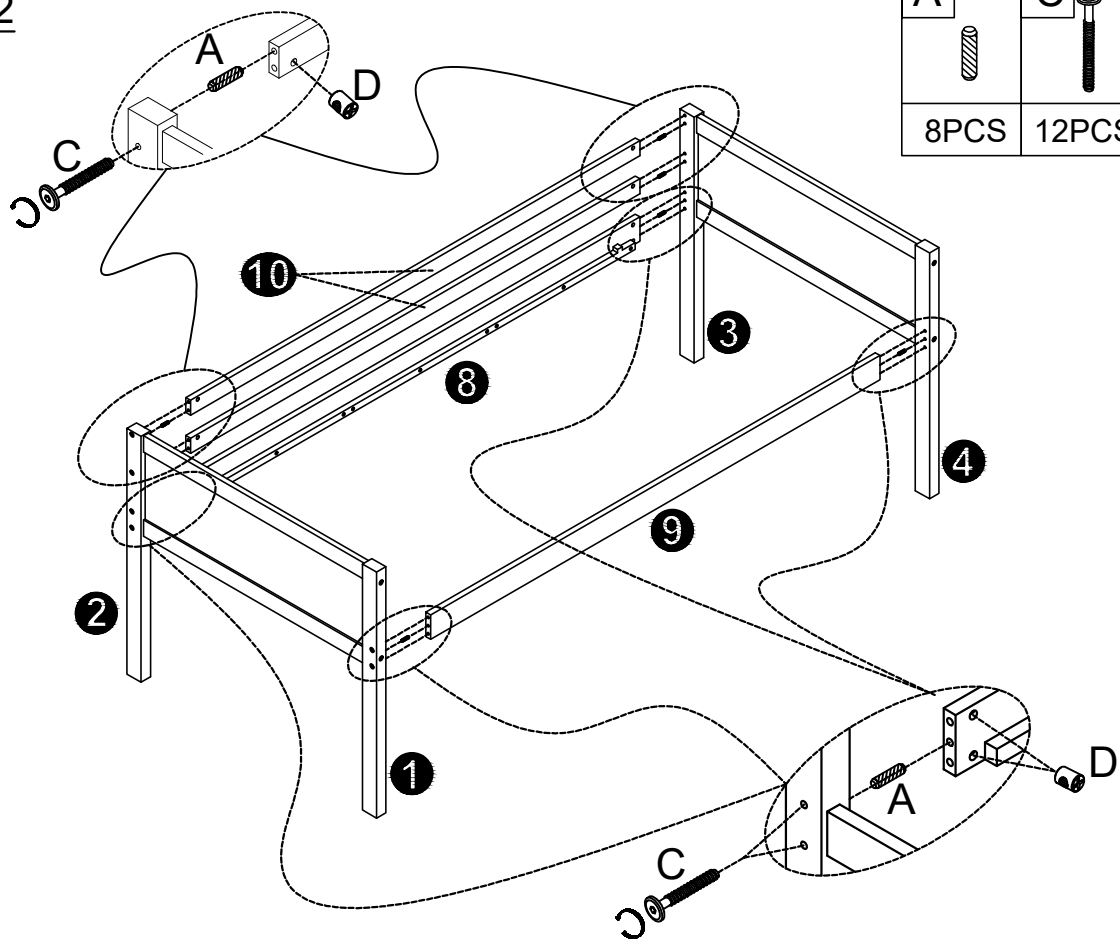
STEP 1

A	B
	
8PCS	8PCS




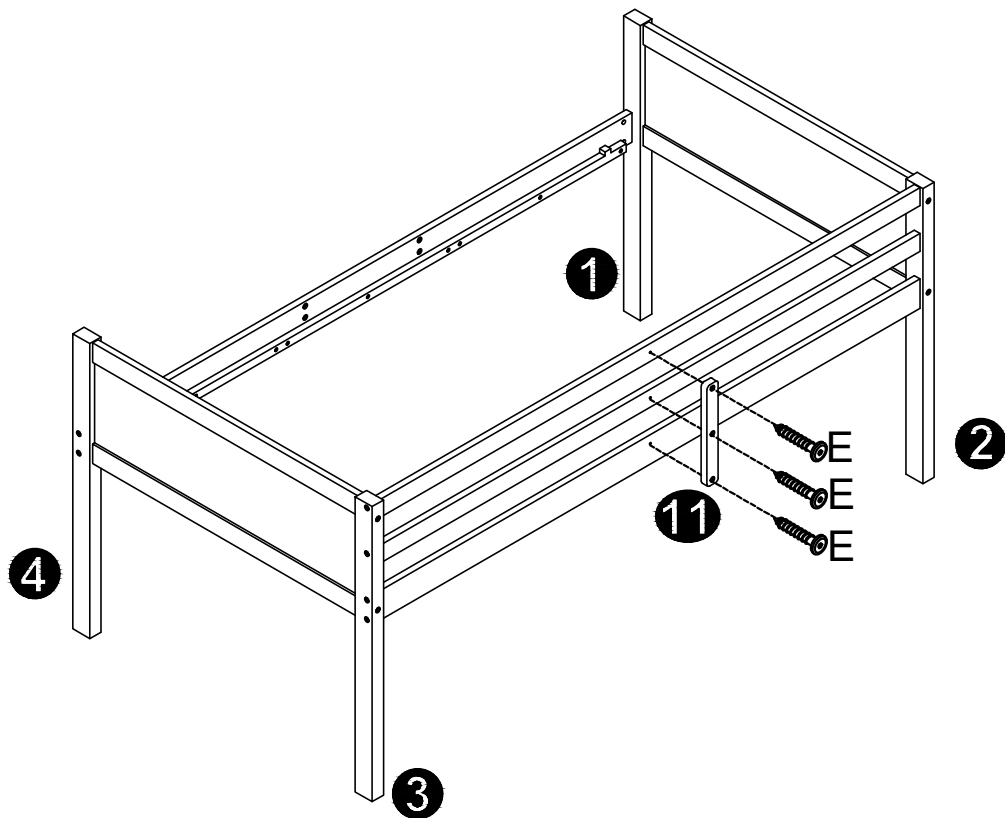
STEP 2

A	C	D
		
8PCS	12PCS	12PCS





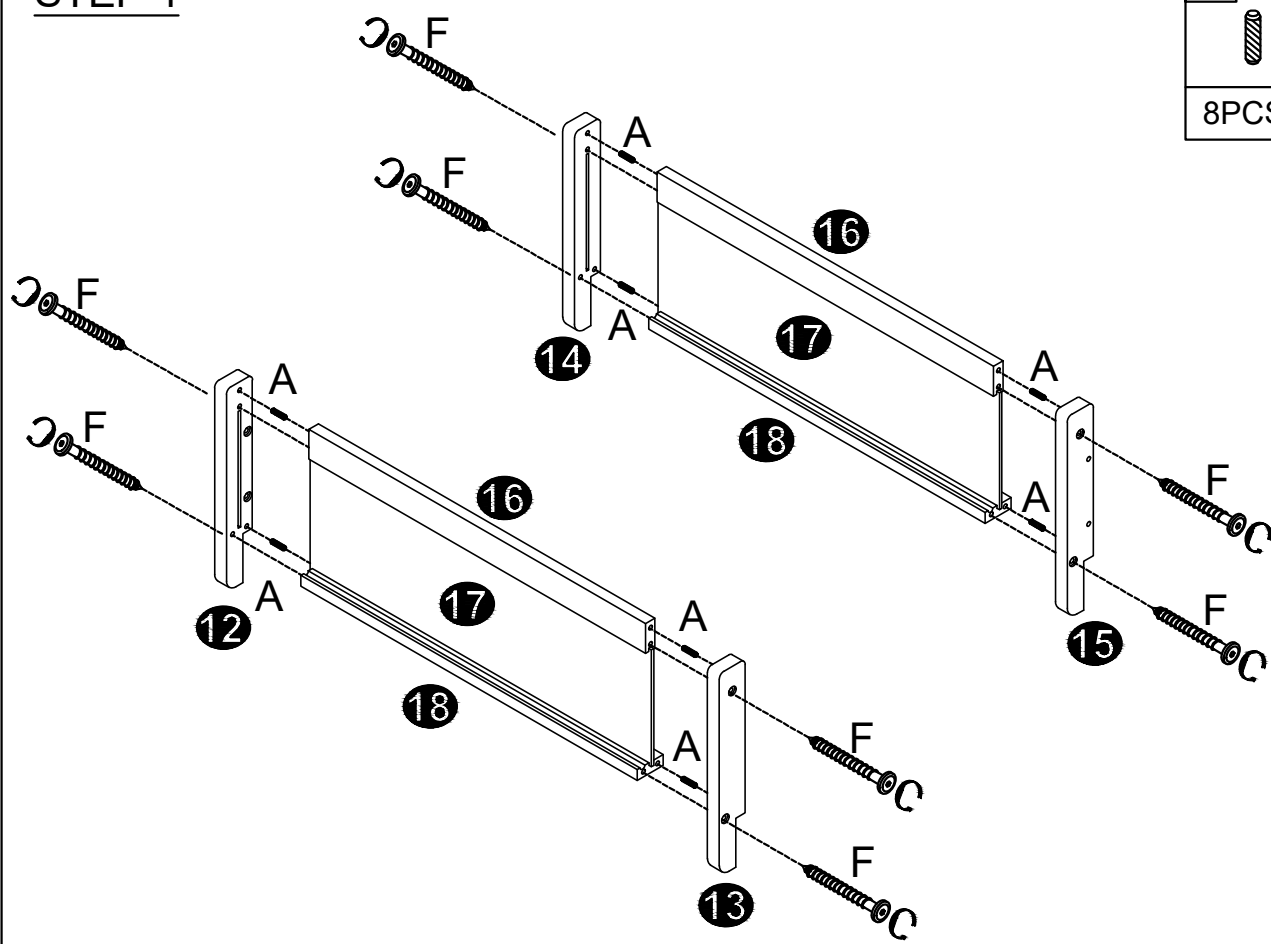
STEP 3

E

3PCS





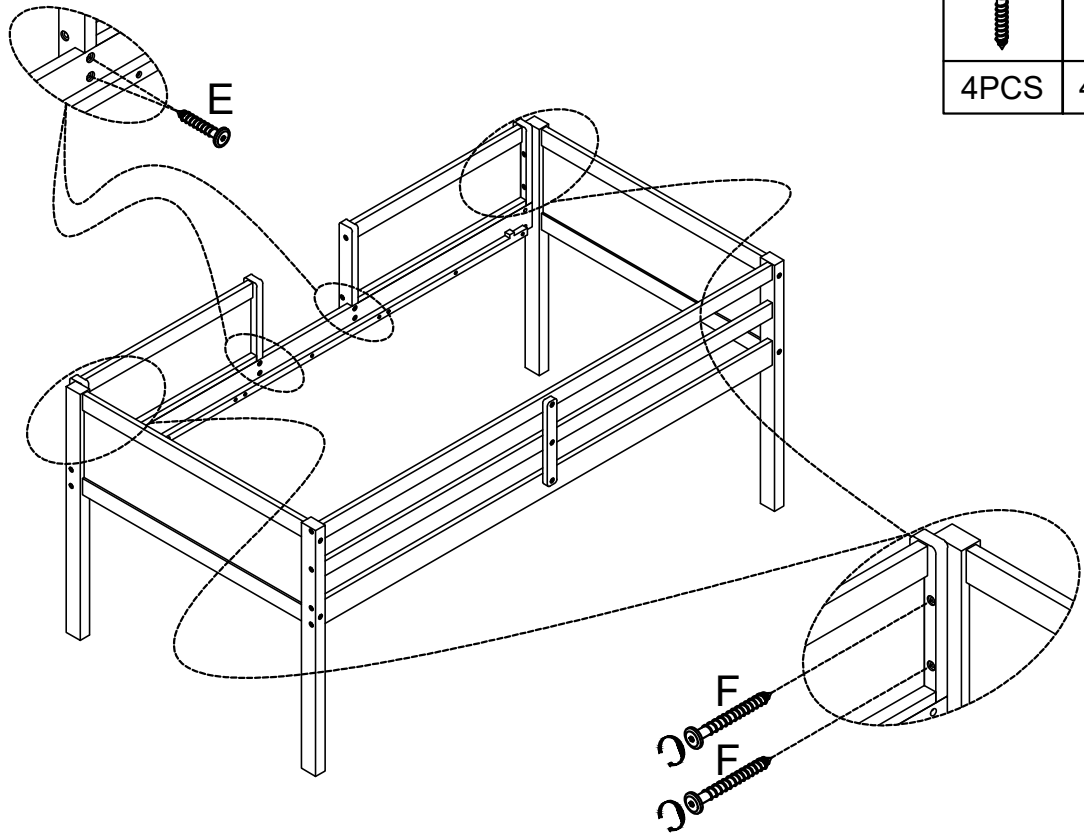
STEP 4

A	F
	
8PCS	8PCS




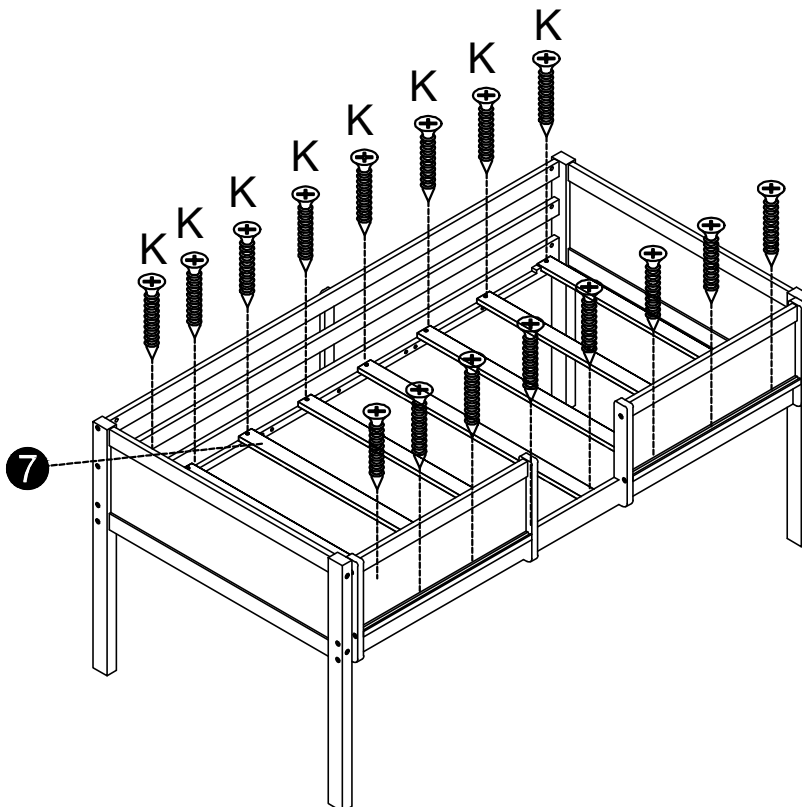
STEP 5:

E	F
	
4PCS	4PCS





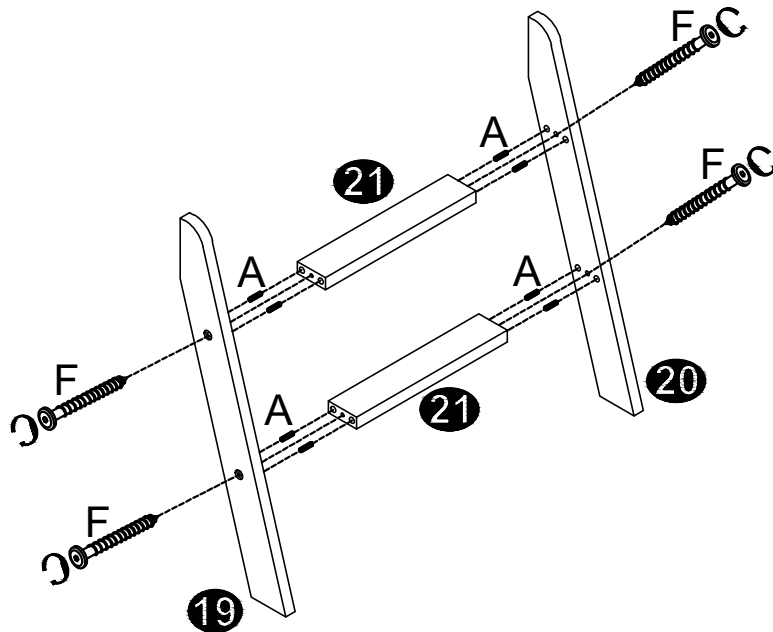
STEP 6

K

16PCS

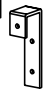




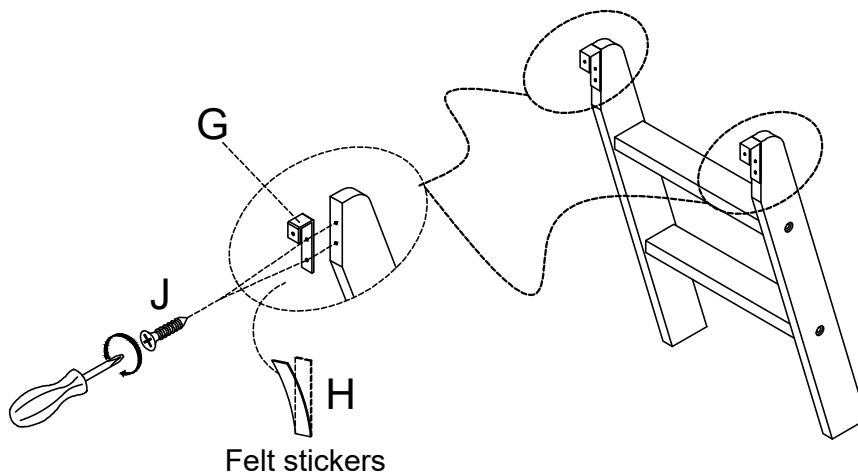
STEP 7:

A	F
	
8PCS	4PCS



STEP 8

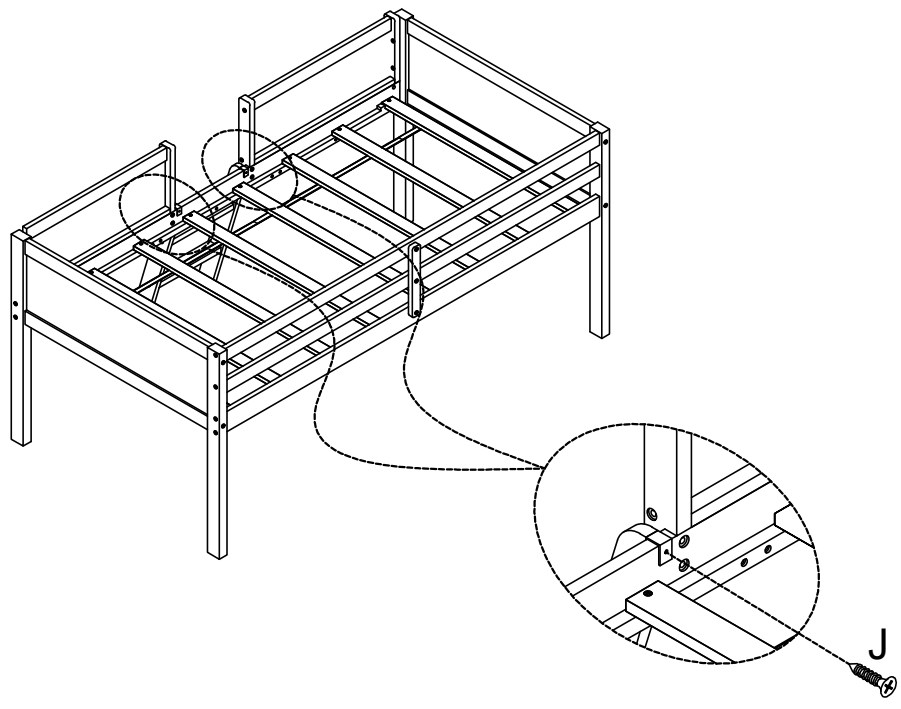
G	J	H
		
2PCS	4PCS	2PCS





STEP 9

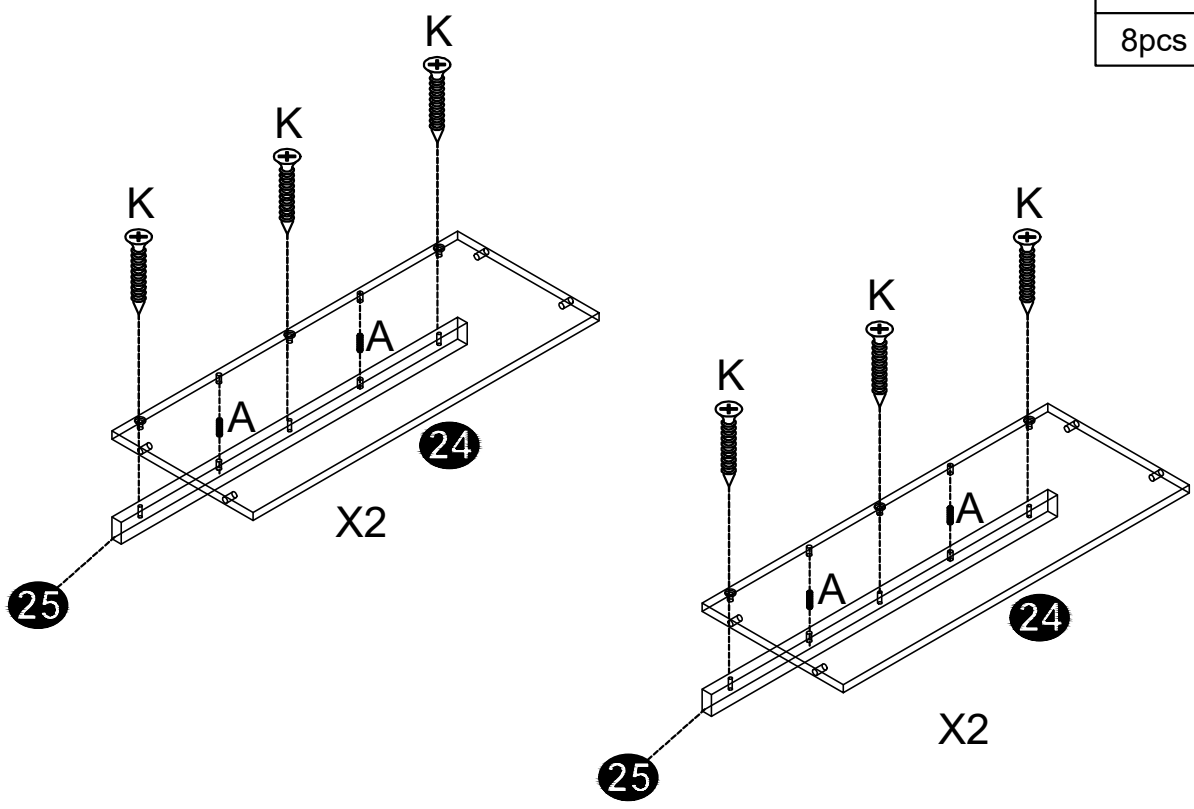
J

2PCS




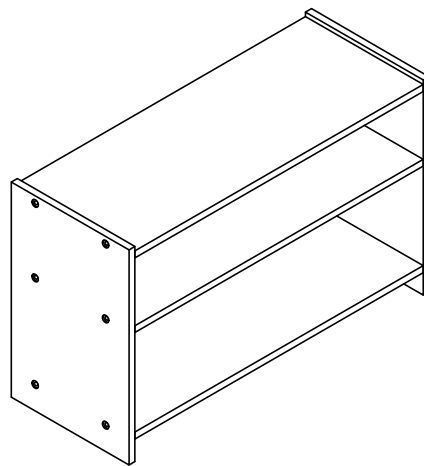
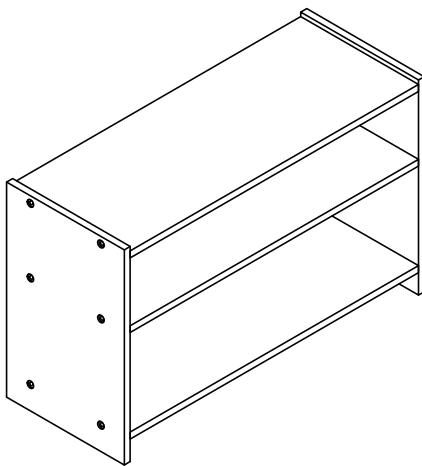
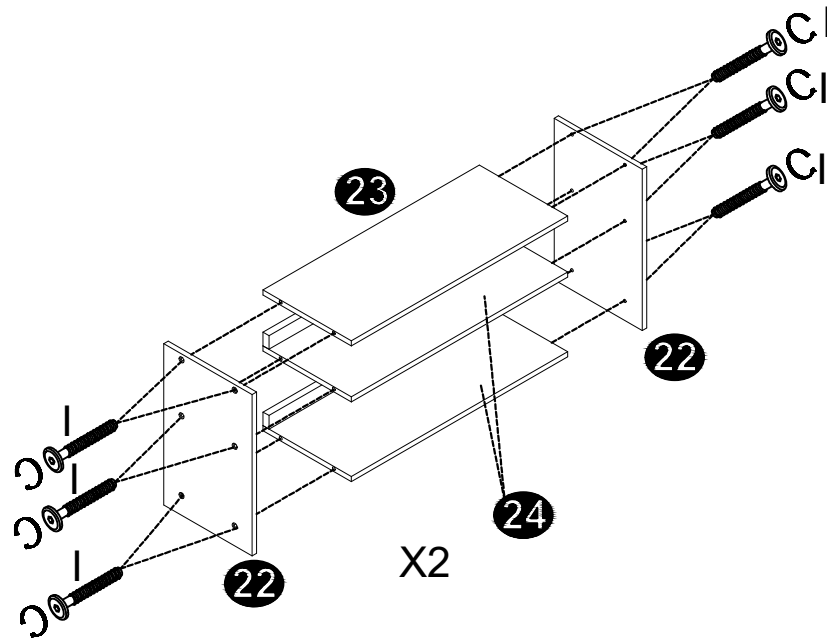
STEP 10

A	K
	
8pcs	12pcs



STEP 11

I

24pcs



COMPLETED

