

# Storage Trundle Platform Bed

Congratulations on the purchase of your Storage Trundle Platform Bed. This bed has been crafted to the highest standards of quality and safety and will give you many years of enjoyment and practical use.

On this insert you will find a list of the hardware, platform bed and trundle parts as well as detailed assembly instructions. Assembly is quite simple and requires only a flat head screwdriver and a Phillips head screwdriver. The use of a power drill with Phillips head attachment is helpful but not necessary. Assembly will be most easily accomplished if you take the time to carefully sort the hardware and familiarize yourself with the function of each piece.

## HARDWARE LIST



**16x 35mm bolts**  
Used to connect front & back panels



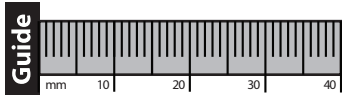
**48x 30mm slat screws**  
Used to secure slats to rails



**98x 20mm wood screws**  
Used to attach wheels, bottom planks and panels



**4x 15mm wood screws**  
Used to secure center support



**6x Wire Retainers**

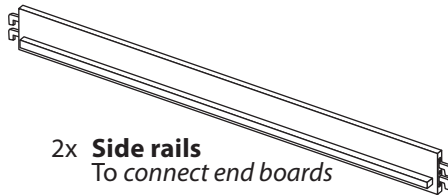


**4x Wooden Dowels**

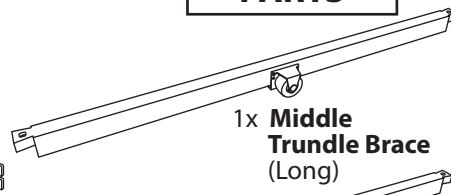


**1x Hex key**  
Used to tighten bolt hardware

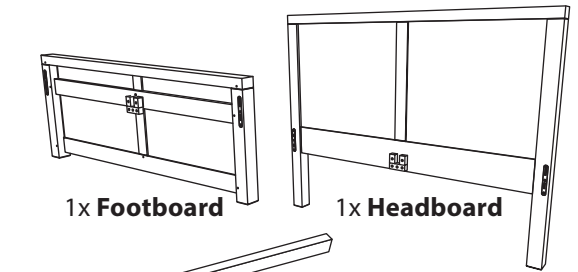
## PARTS



**2x Side rails**  
To connect end boards

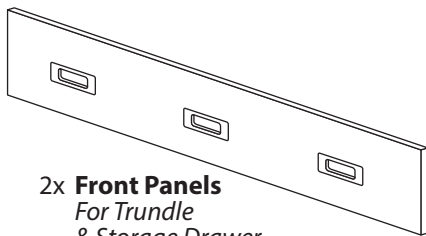


**1x Middle Trundle Brace (Long)**

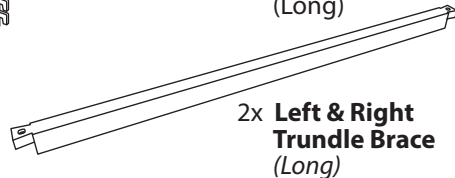


**1x Footboard**

**1x Headboard**



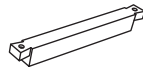
**2x Front Panels**  
For Trundle & Storage Drawer



**2x Left & Right Trundle Brace (Long)**



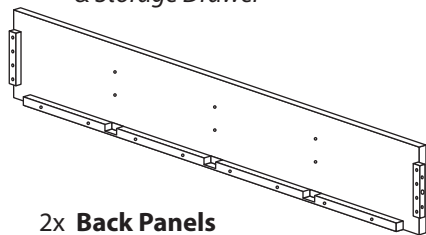
**1x Center Support**



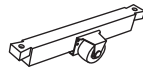
**2x Left & Right Drawer Brace (Short)**



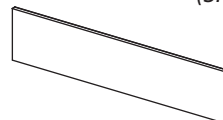
**1x Slat bundle**  
Rest on side rails and supports mattress (strap side down)



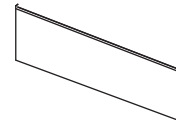
**2x Back Panels**  
For trundle and storage drawer



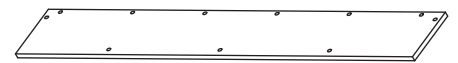
**1x Middle Drawer Brace (Short)**



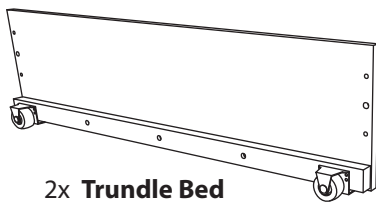
**1x Trundle Divider (Long)**



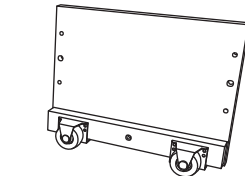
**2x Storage Drawer Dividers (Short)**



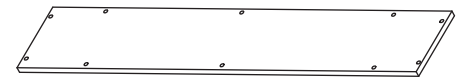
**2x Storage Drawer Bottom Planks (Left & Right)**



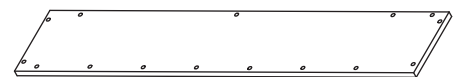
**2x Trundle Bed End Panels (Long)**



**2x Storage Drawer End Panels (Short)**



**1x Trundle Bottom Plank (center)**

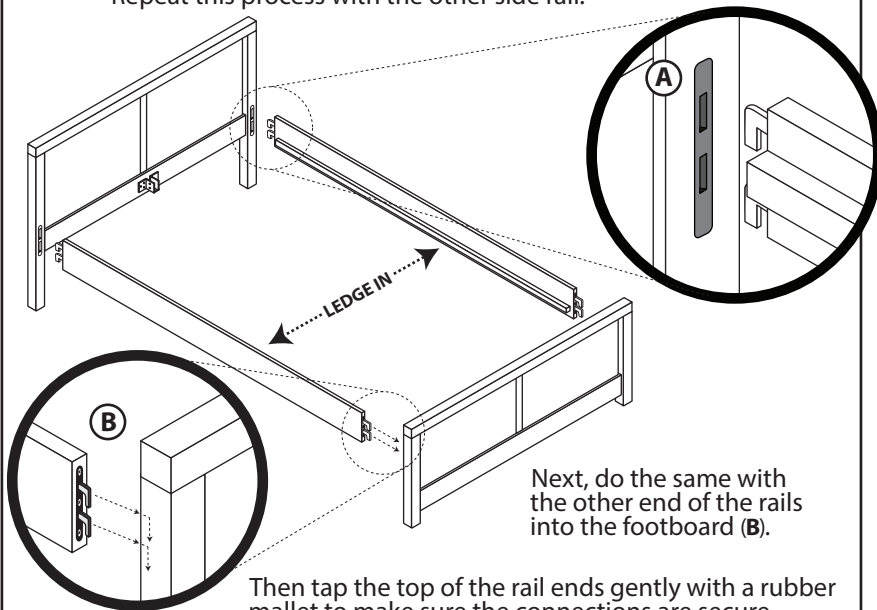


**2x Trundle Bottom Planks (Left & Right)**

Thank you and Enjoy

## PLATFORM BED

- 1** Make sure the slat rail is facing the inside of the bed then slide one rail into the grooves of the headboard (A). Repeat this process with the other side rail.

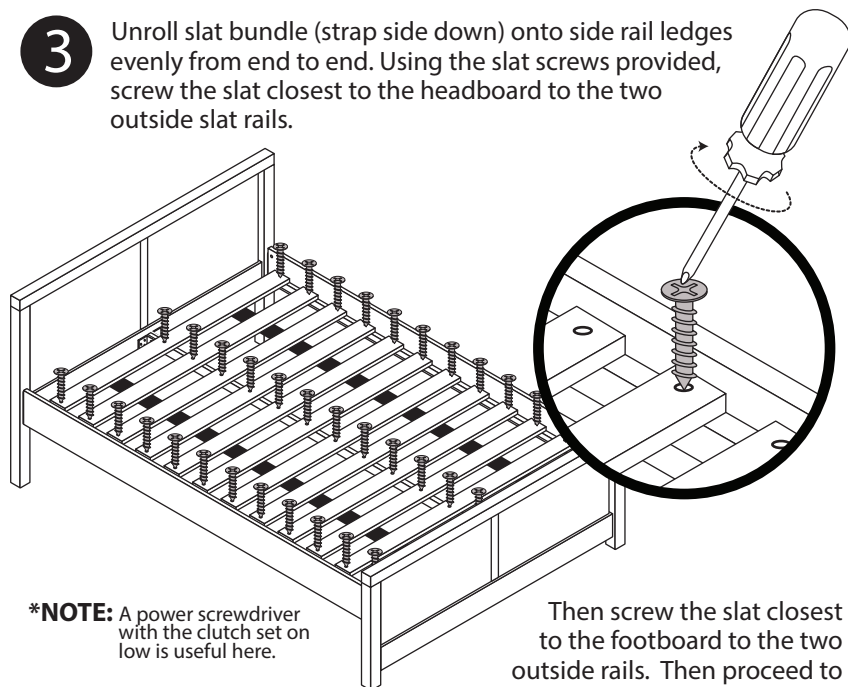


Next, do the same with the other end of the rails into the footboard (B).

Then tap the top of the rail ends gently with a rubber mallet to make sure the connections are secure.

**NOTE:** If bedrail hook bracket does not drop fully down into the head/footboard bracket, adjust the hook bracket on the bedrail end by loosening the three screws one half turn each.

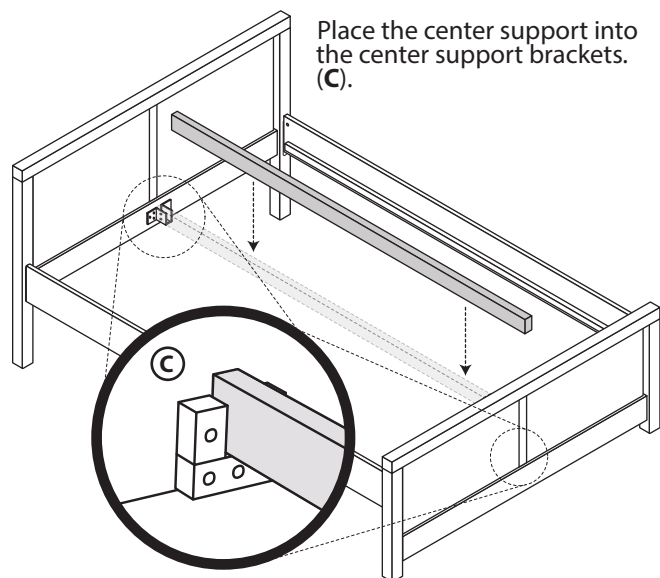
- 3** Unroll slat bundle (strap side down) onto side rail ledges evenly from end to end. Using the slat screws provided, screw the slat closest to the headboard to the two outside slat rails.



Then screw the slat closest to the footboard to the two outside rails. Then proceed to secure the remaining slats in any order.

**\*NOTE:** A power screwdriver with the clutch set on low is useful here.

**2**

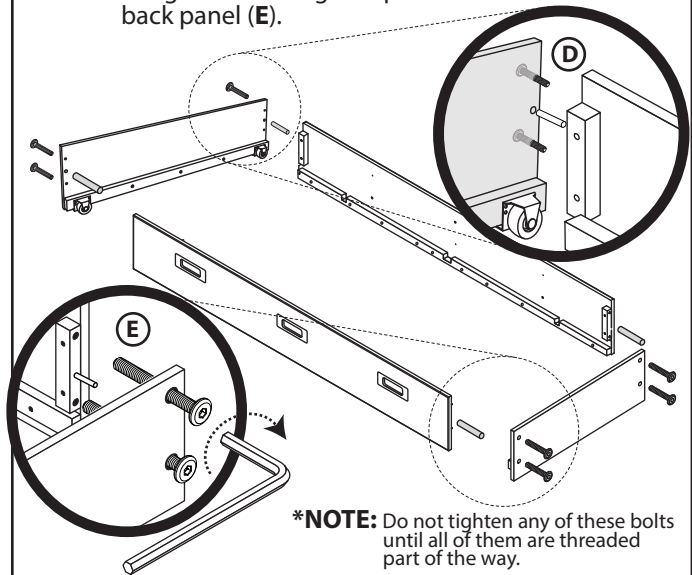


Place the center support into the center support brackets (C).

## TRUNDLE BED

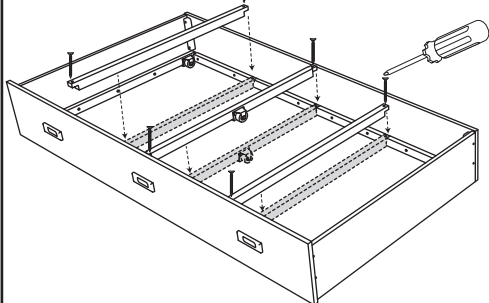
**4**

- Attach long end panels to the front and back panels with wooden dowels. (D) Use 35mm bolts to tighten the long end panels with the front and back panel (E).

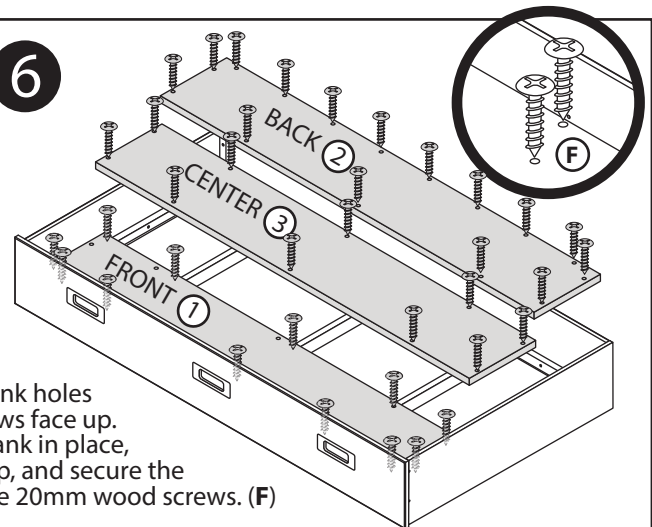


**\*NOTE:** Do not tighten any of these bolts until all of them are threaded part of the way.

- 5** Attach the long plank braces and long middle plank brace to the trundle with 30mm wood screws.



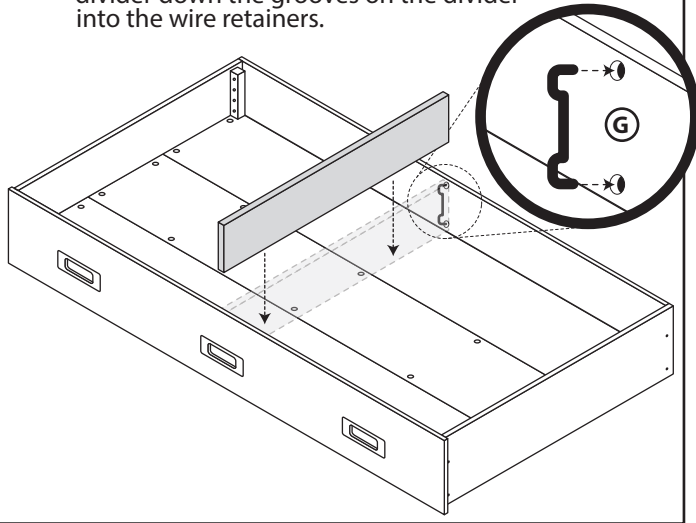
**6**



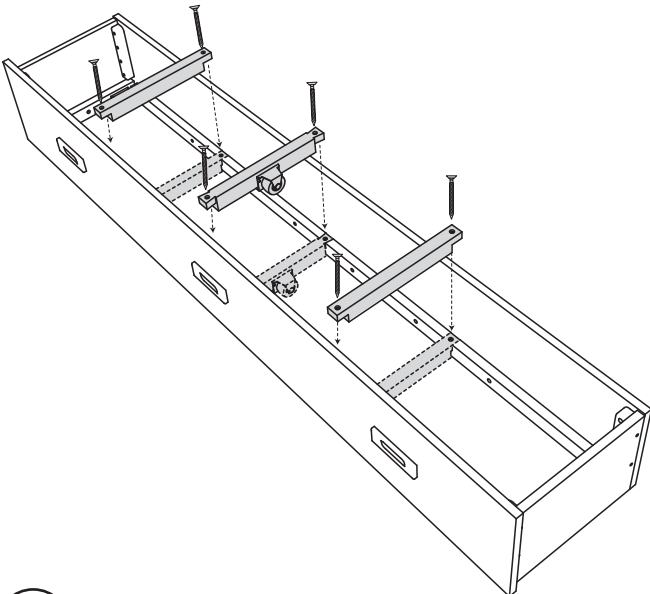
First slide the front & back bottom planks into place with the countersunk holes for the 20mm wood screws face up. Then place the center plank in place, counter sunk hole side up, and secure the planks into place with the 20mm wood screws. (F)

## 7 OPTIONAL STORAGE

To use the trundle bed as a storage drawer, simply remove the mattress, insert the wire retainers on both sides of the trundle (Diagram G), and slide the drawer divider down the grooves on the divider into the wire retainers.



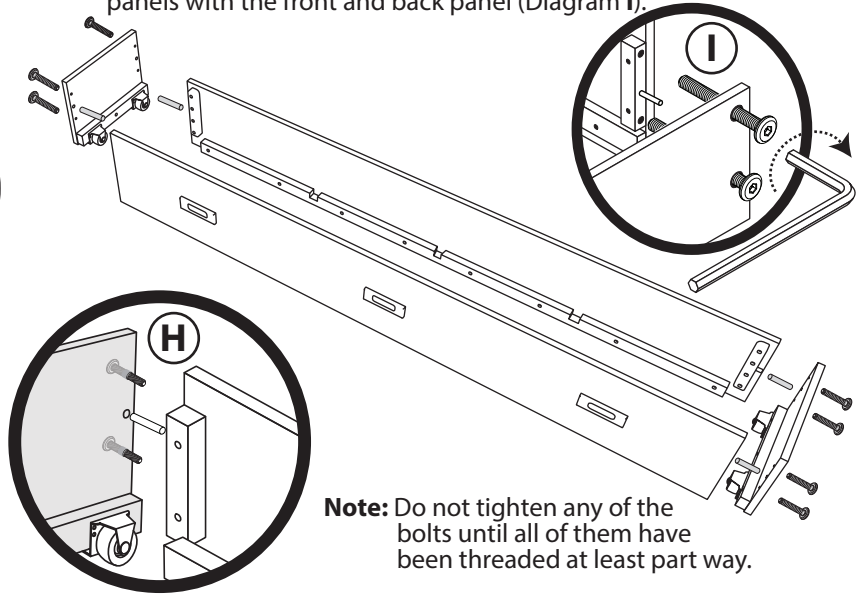
9 Attach the short plank braces and short middle plank brace to the trundle with 30mm wood screws.



8

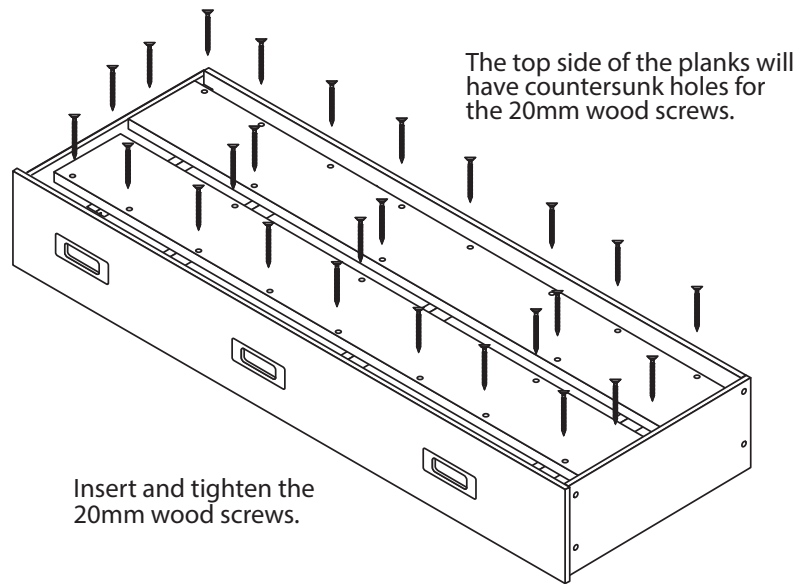
## STORAGE DRAWER

Attach short end panels to the front and back panels with wooden dowels. (Diagram H) Use 35mm bolts to tighten the short end panels with the front and back panel (Diagram I).



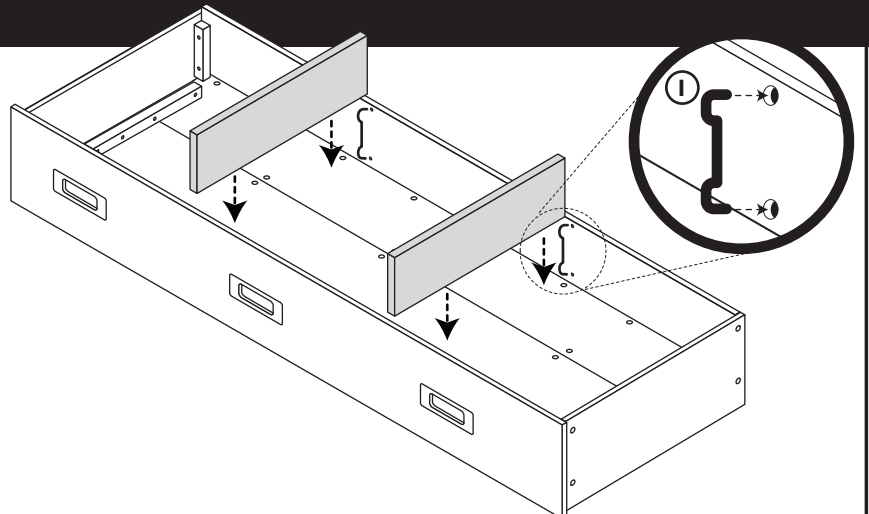
10

Lay the bottom planks into the storage drawer.

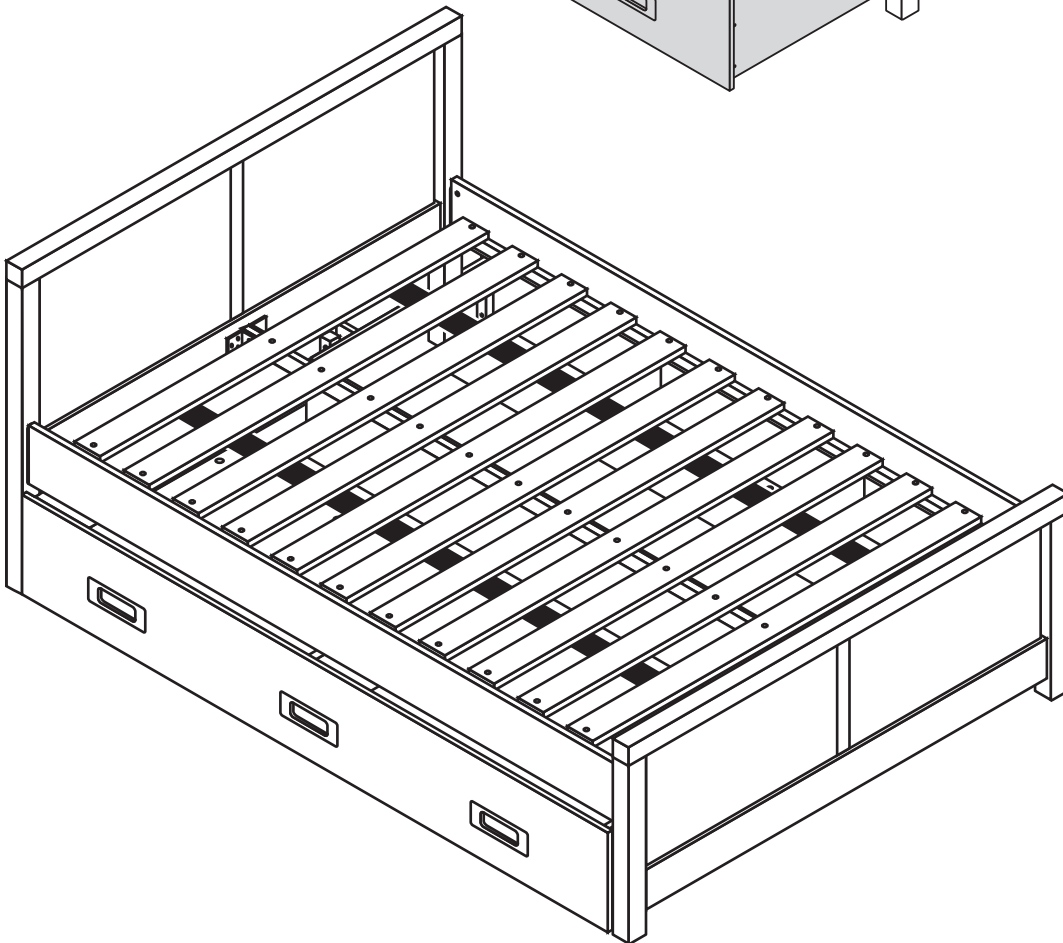
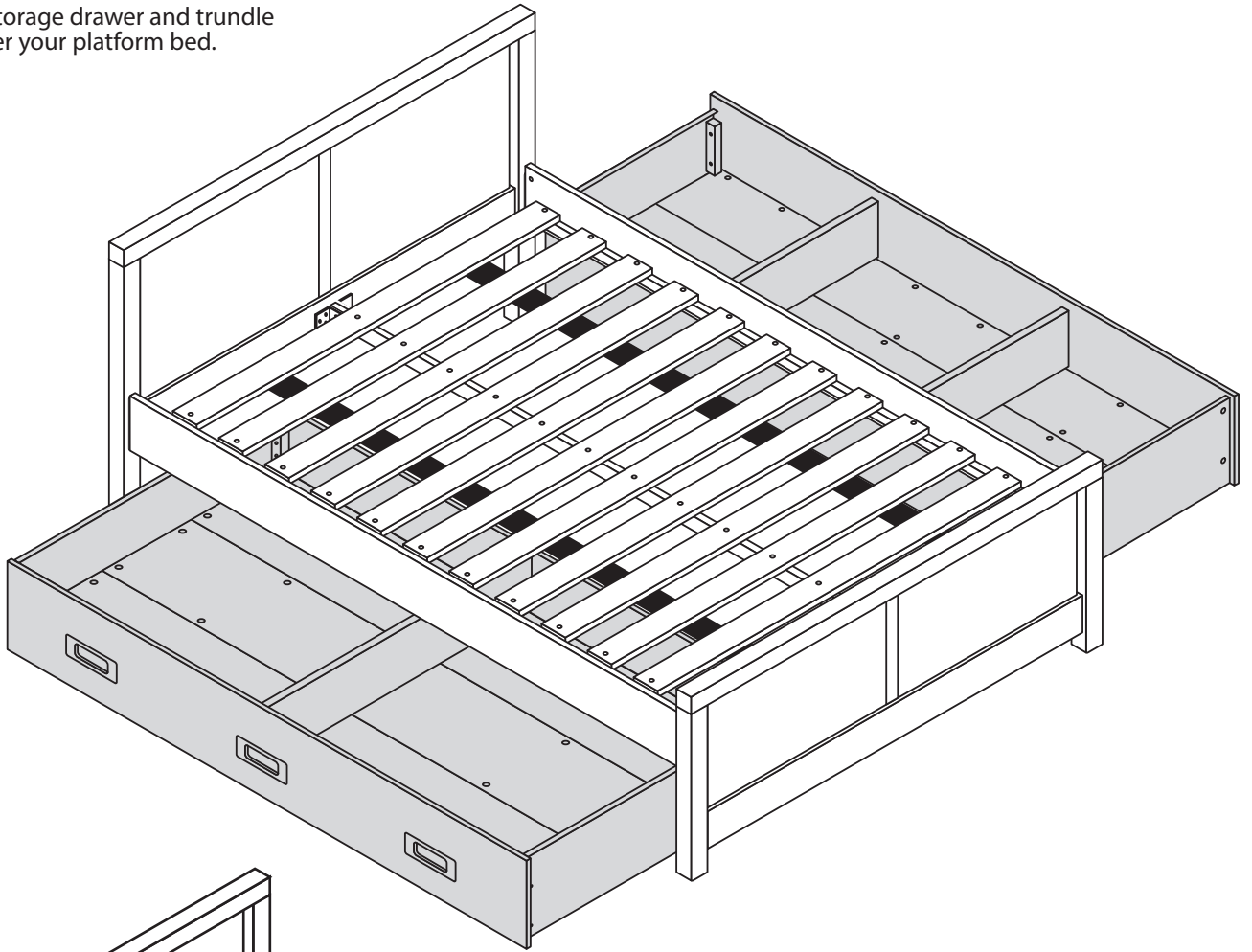


## 11 OPTIONAL STORAGE

To compartmentalize the storage drawer, simply add the wire retainers and the wooden dividers as you wish in order to achieve your desired size storage area (See Diagram I).



Place your storage drawer and trundle drawer under your platform bed.



**Congratulations, you are now ready to enjoy your Pacifica Storage trundle platform bed.**