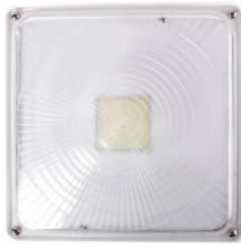




LED Canopy Lights



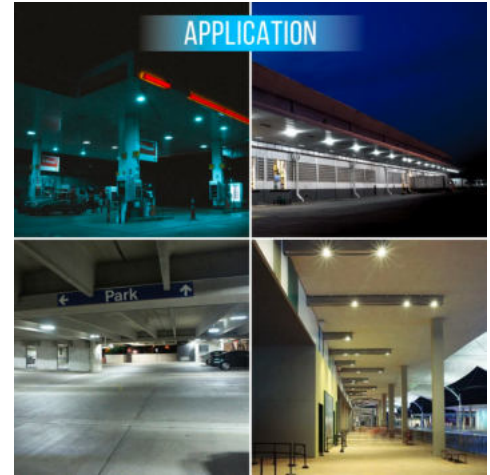


WEN LIGHTING
 E-mail: info@wenlighting.com
www.wenlighting.com

WEN-CN302D-70W-57K-10-[BR;WH;BL;GR]

Note:

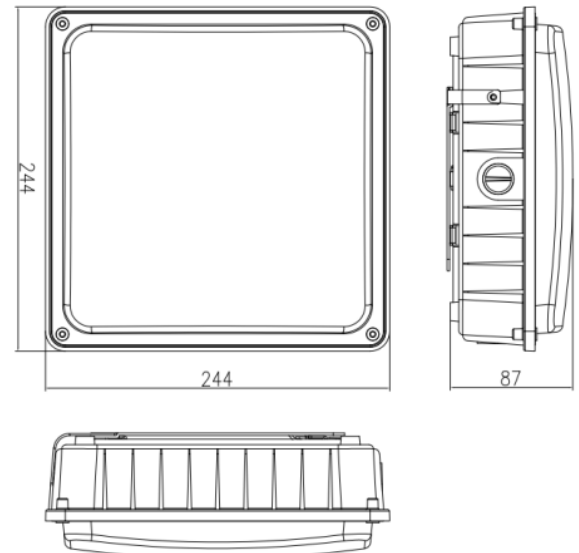
- WEN= Company name.
- CP3B = Product series, LED Canopy Light.
- S= Cover type .striped lens.
- A1 = Version number.
- a = Housing colors, WH=White,
- b= CCT , 40=4000K 45=4500K 50=5000K 57=5700K



DIMENSIONS

ADVANTAGE

- ETL & DLC certificate.
- IP65 driver, input voltage 100-277VAC.
- No UV or IR in the beam.
- Easy to install and operate.
- Energy saving, long lifespan.
- Light is soft and uniform, safe to eyes.
- Instant start, NO flickering, NO humming.
- Green and eco-friendly without mercury.



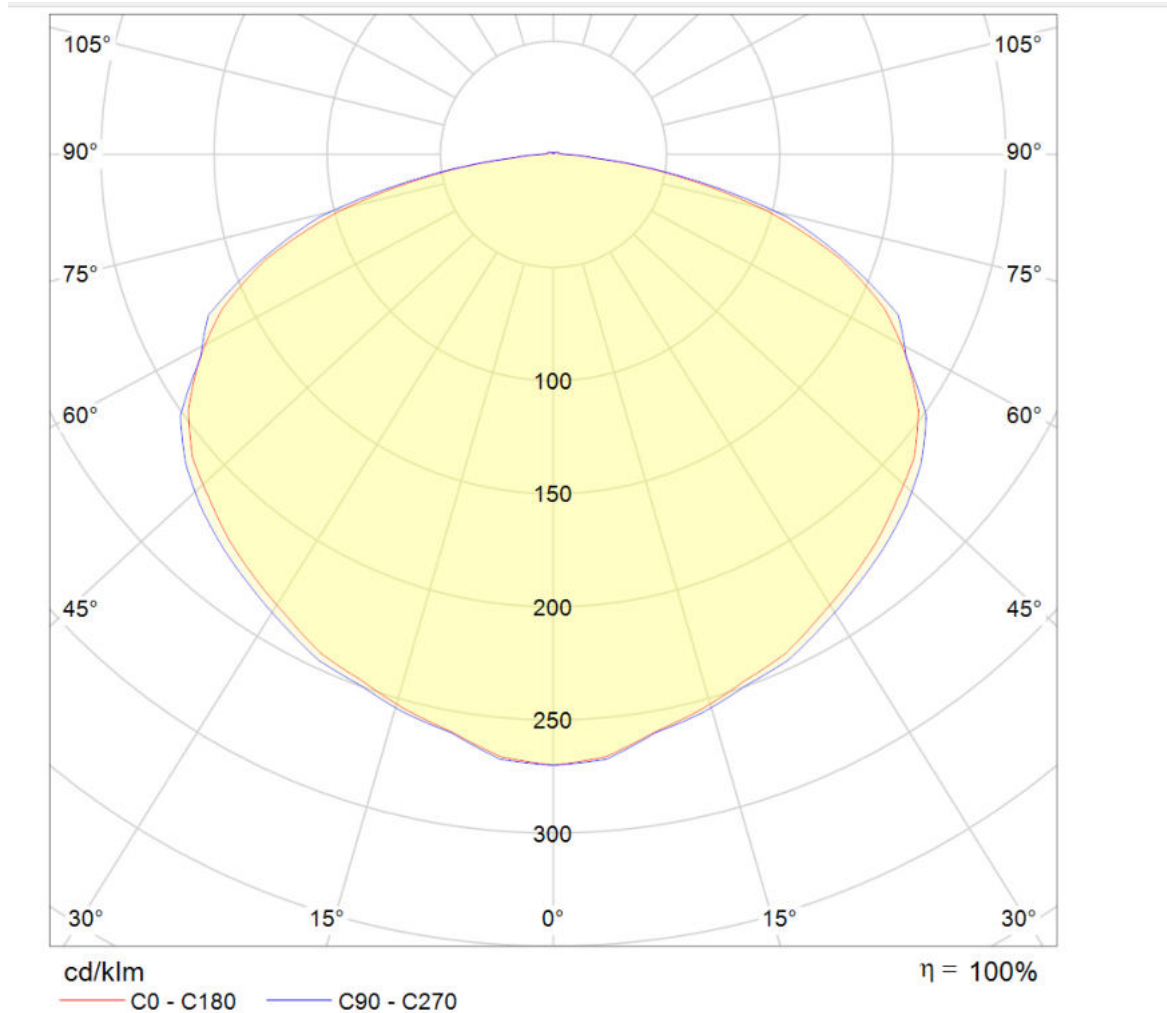
APPLICATION

- Widely used in gas station, service station, underground parking lot, warehouse, garage;

SPECIFICATIONS

OPTICAL	Input Power	70W
	Lumen	8140LM
	Lumen Efficacy	108.5LM/W
	Color Temperature	57000K
	CRI	>80
	Viewing Angle	120 Degree
ELECTRICAL	Input Voltage	100-277VAC 50/60Hz
	PF	≥0.9
	THD	≤20%
MATERIALS	Housing	Aluminum Alloy
	Housing Color	White
	Cover	Stripe Lens
	Waterproof Rating	WET (IP65)
	Operating Temperature	-40°C TO 45°C
OTHERS	Operating Humidity	10%-90% RH
	Storage Temperature	-40°C TO +80°C
	Storage Humidity	5%-95% RH
	Warranty Time	5 Years

LIGHT DISTRIBUTION TESTING PARAMETERS



NOTICE FOR USER

- Please turn off power before install or change assembly parts.
- The input voltage and lamps should be matched, after connecting the power line, Please make sure the wiring section is insulated.
- No-professionals, must not install and disassemble the lamps.

TROUBLE SHOOTINGS

Troubles	Check points
Flickering of the light	Turn off the power and turn on again in 3 minutes. If same phenomena occur, then call agencies.
Out of working	Please check the connection.