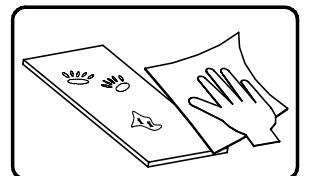
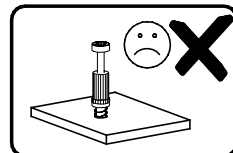
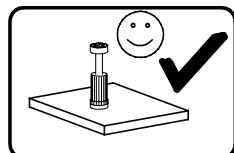
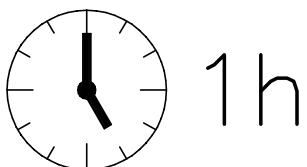
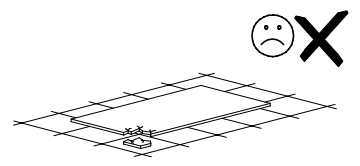
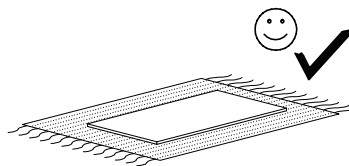
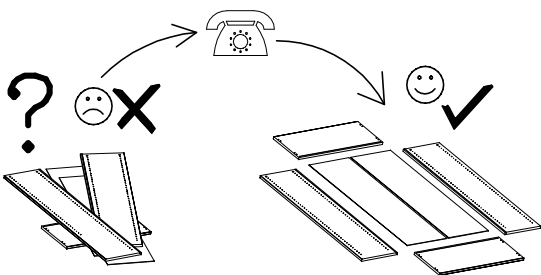
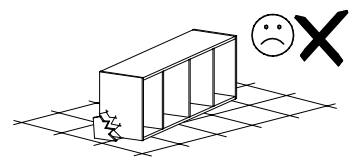
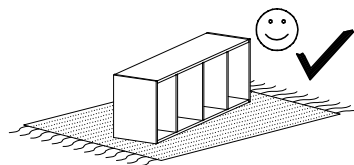
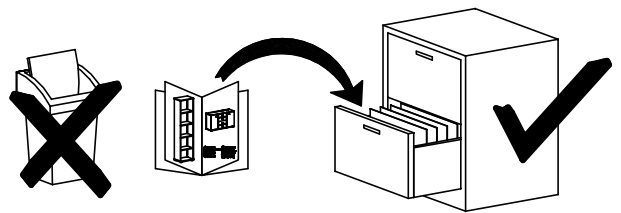
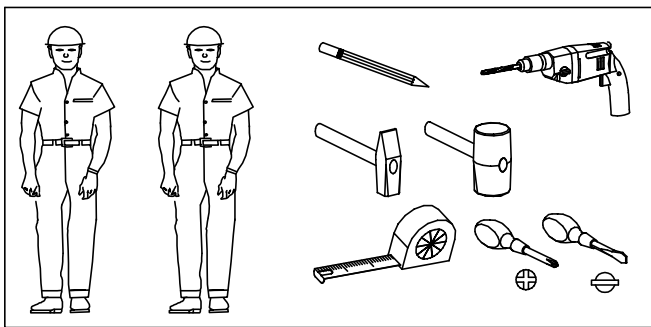
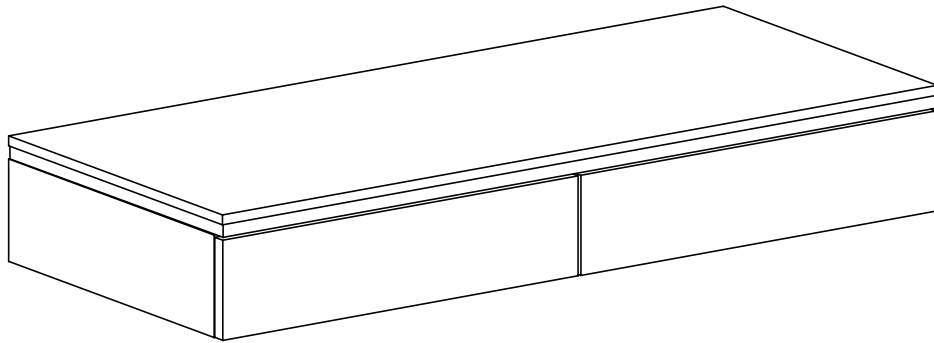
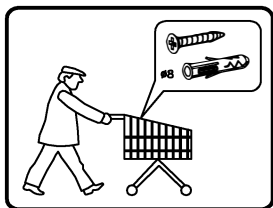
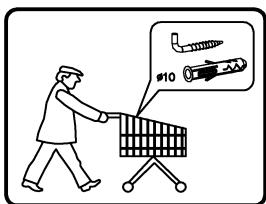
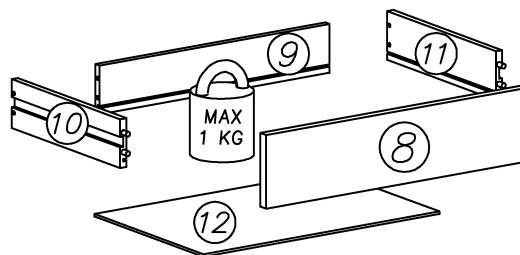
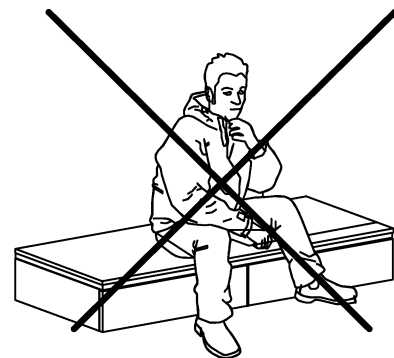
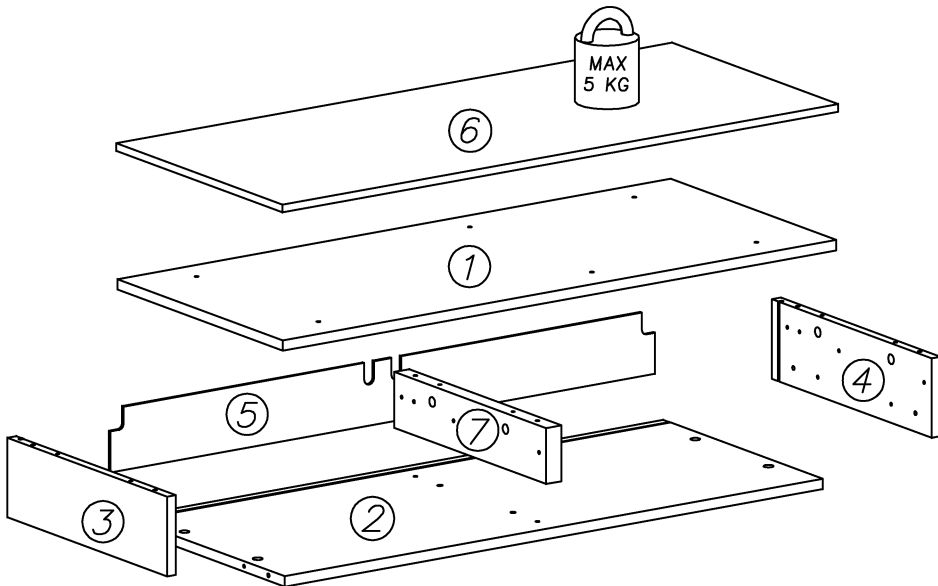
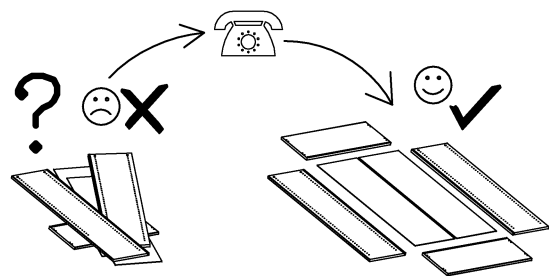
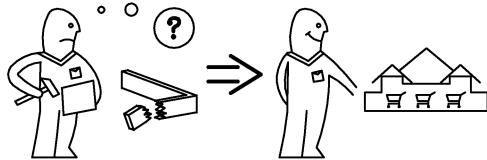
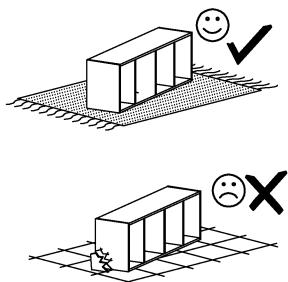


toaletka

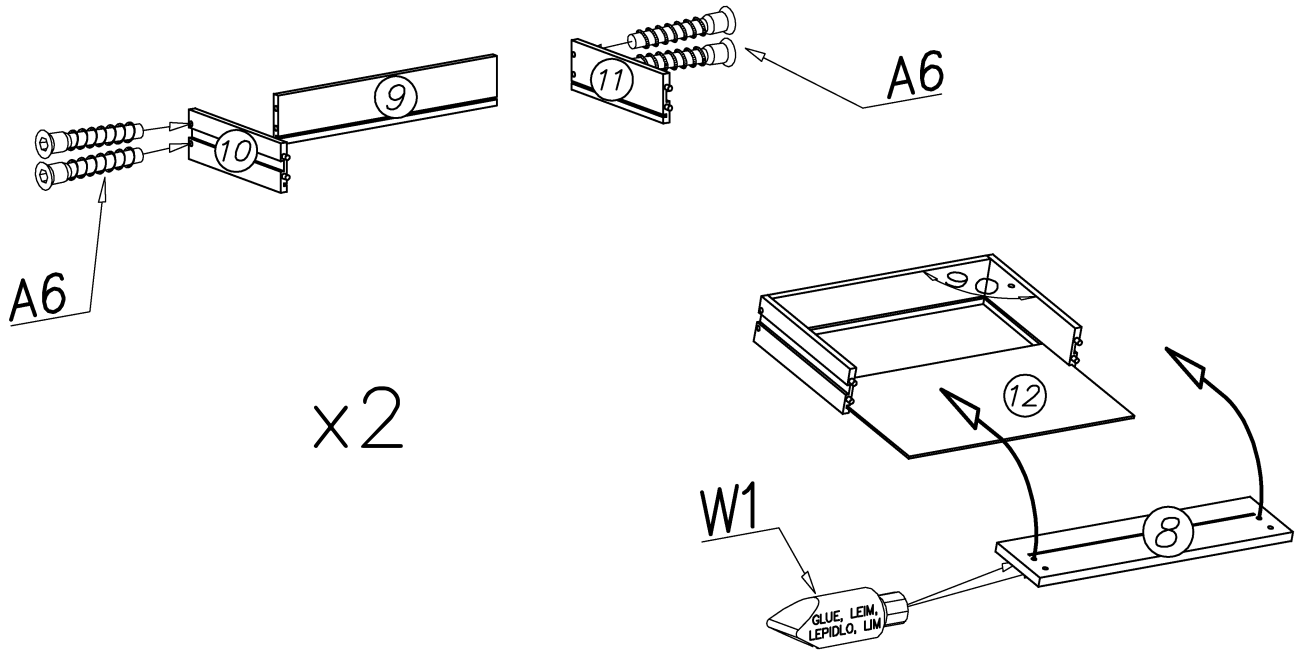




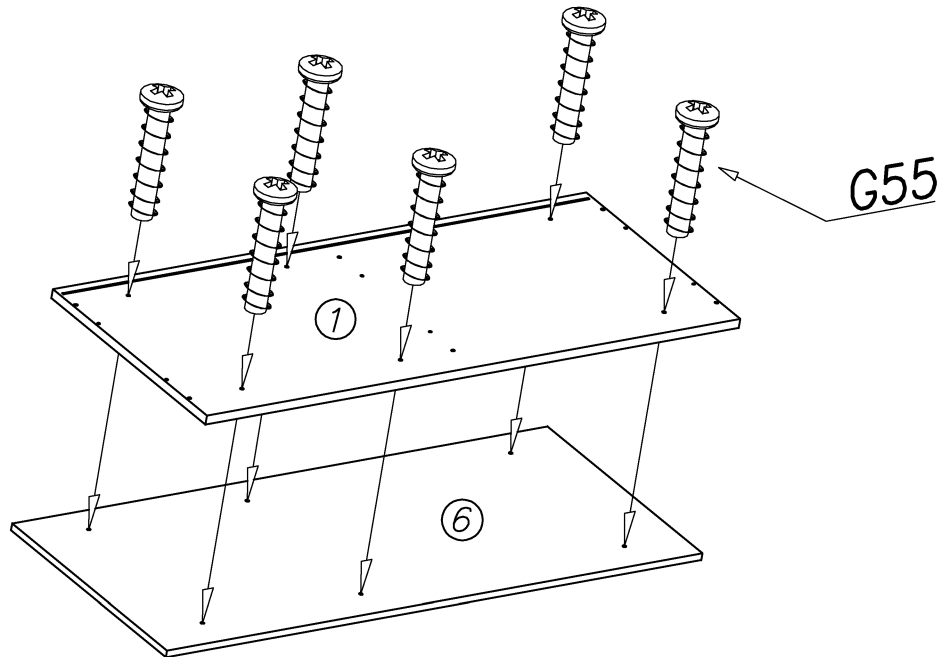
G55 6x22 x...(6)	G34 3,5x16 x...(1)
F4 x...(1)	A1 Ø7x50 x...(2)

U15L x...(2)	U15R x...(2)	H3 280mm x...(4)	K14 Ø15x19 x...(2)
K1 Ø15x12 x...(8)	G42 6x14 x...(8)	N1 M4x9 x...(4)	I1 x...(4)
W1 GLUE, LEIM, LEPIDLO, LIM x...(1)	K10 x...(10)	G50 6x13 x...(8)	W2 x...(1)
A6 Ø7x40 x...(8)	B2 Ø6x35 x...(12)		

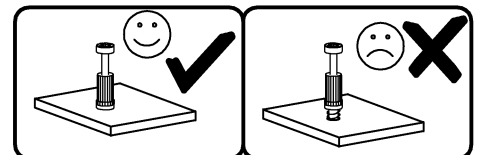
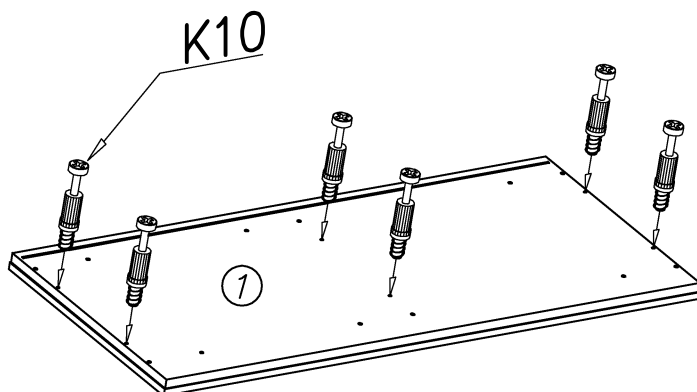
I



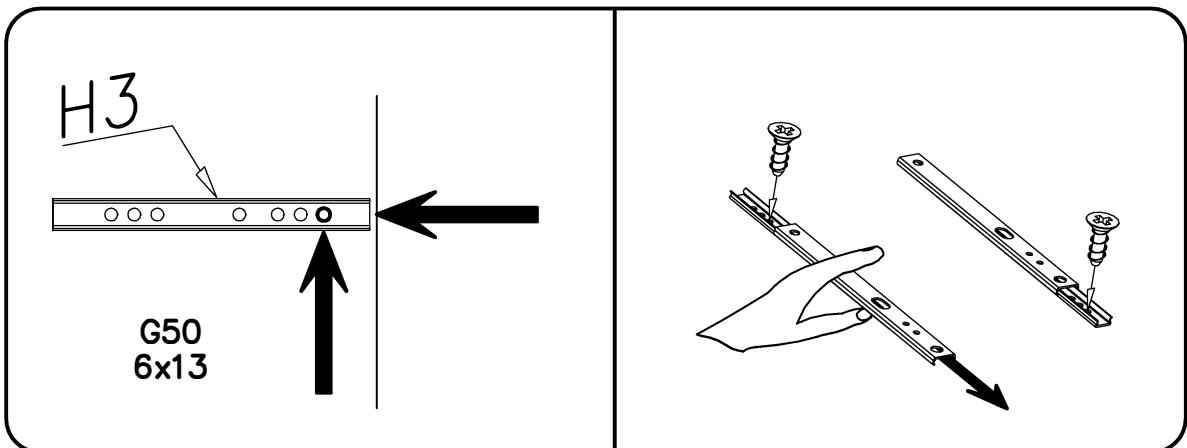
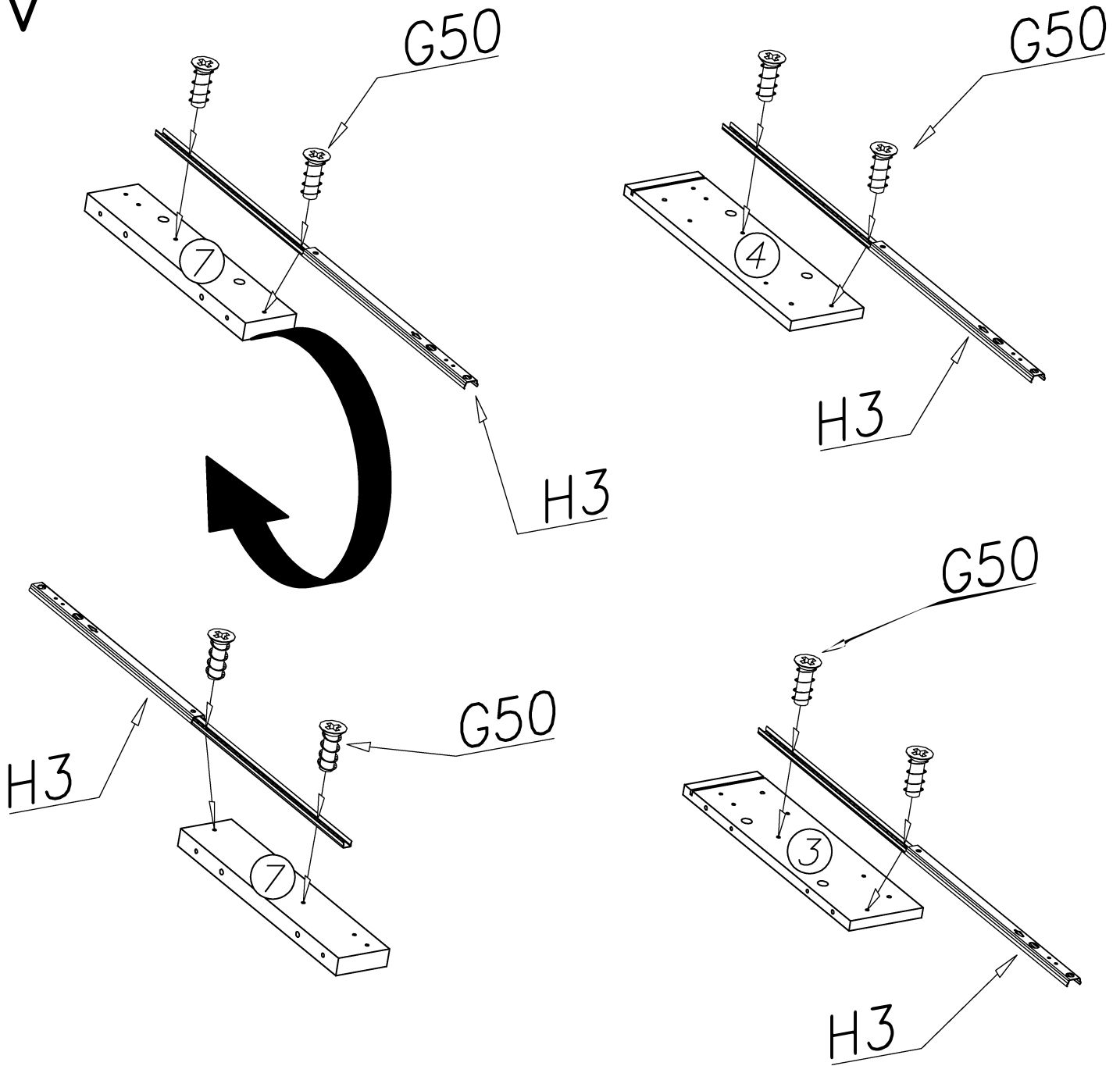
II



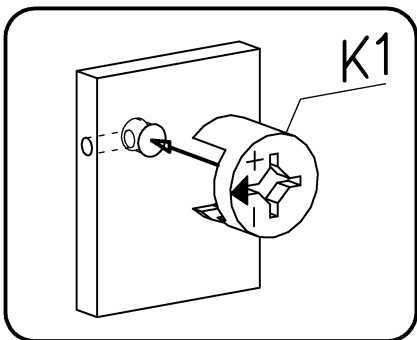
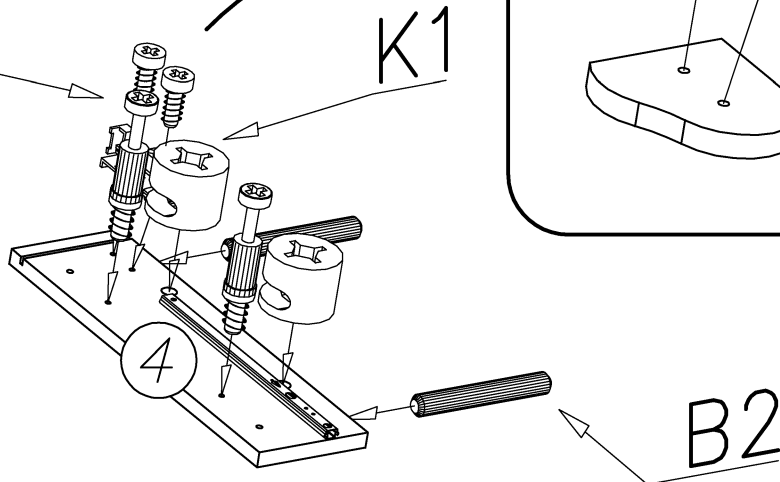
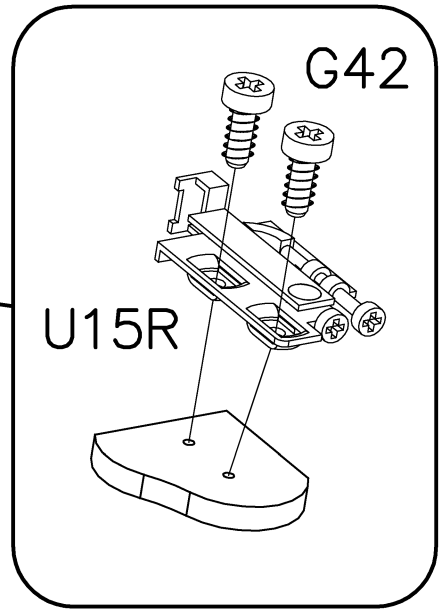
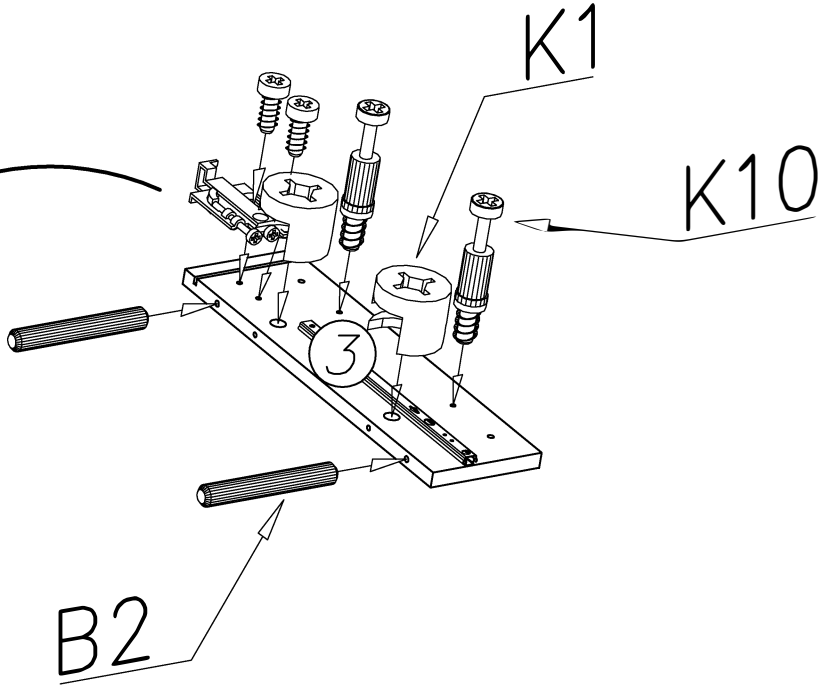
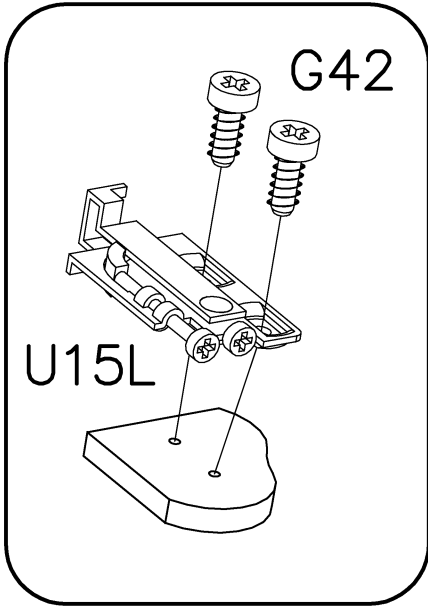
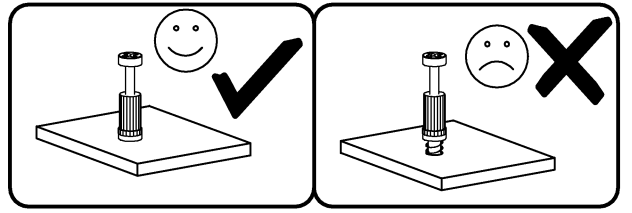
III



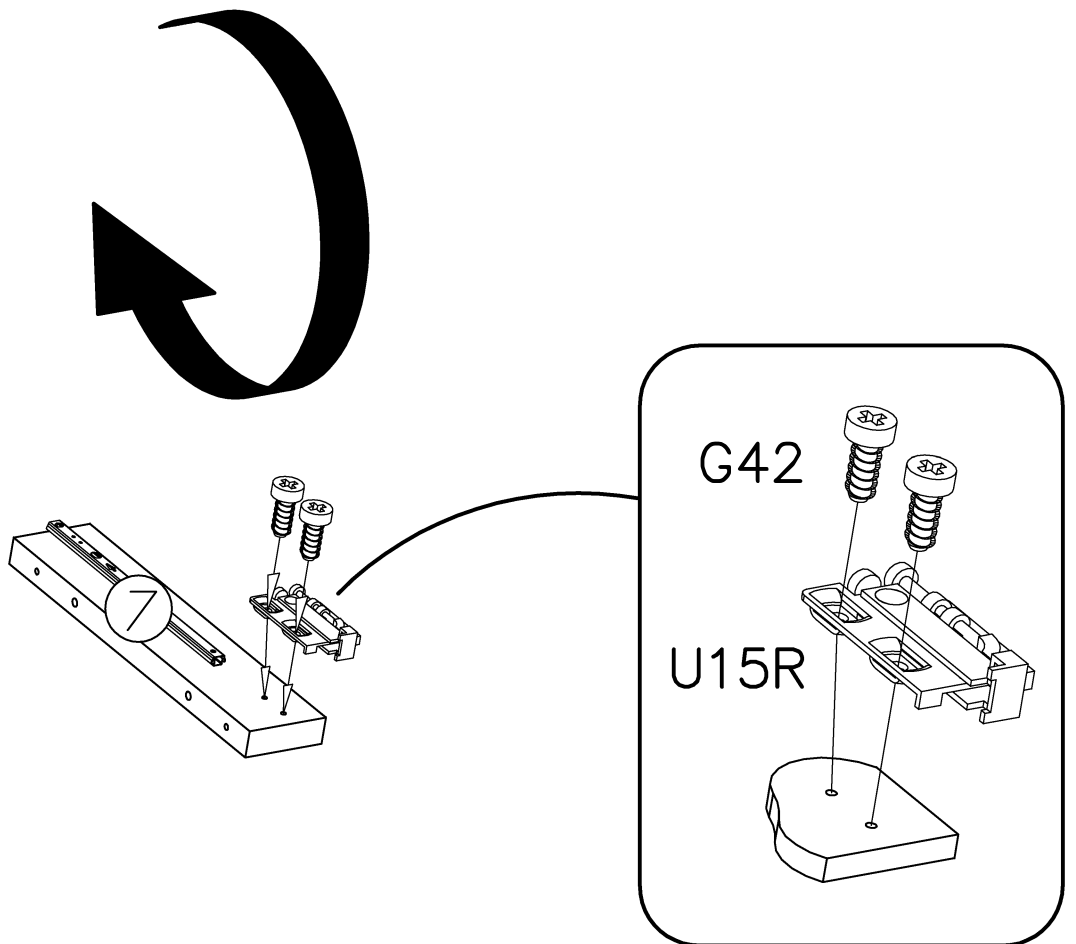
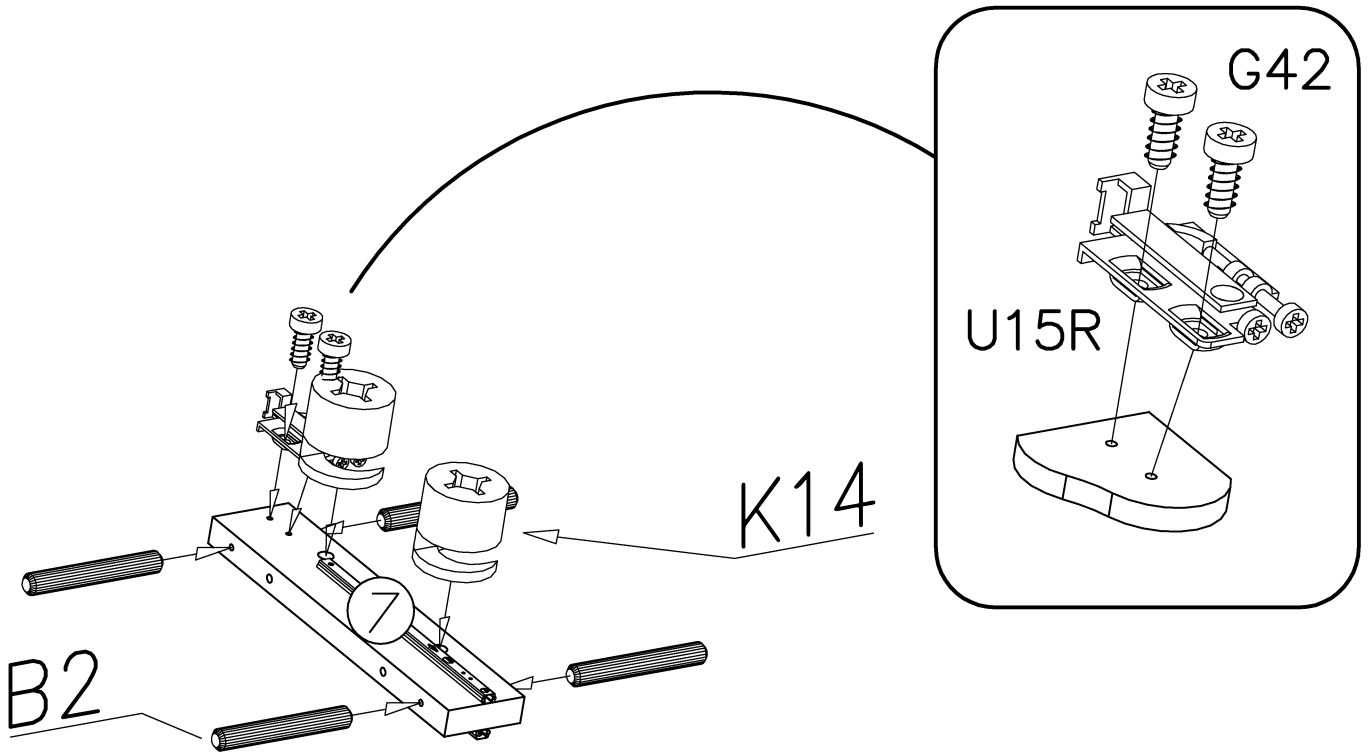
IV



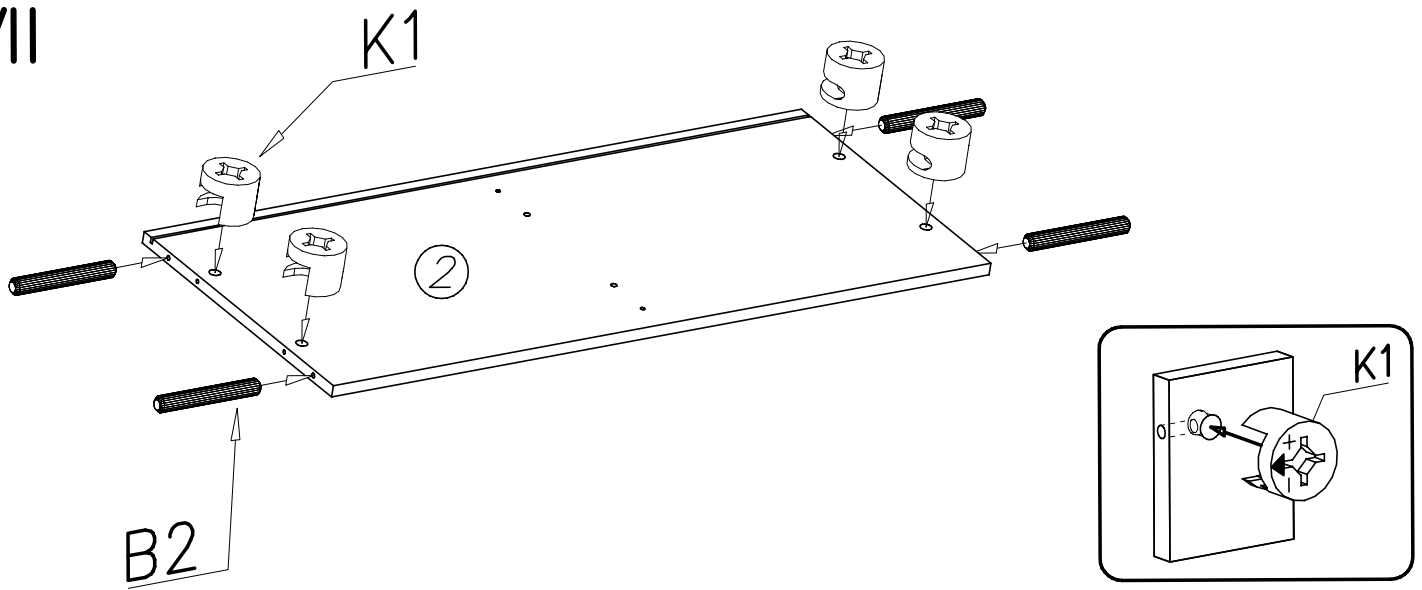
V



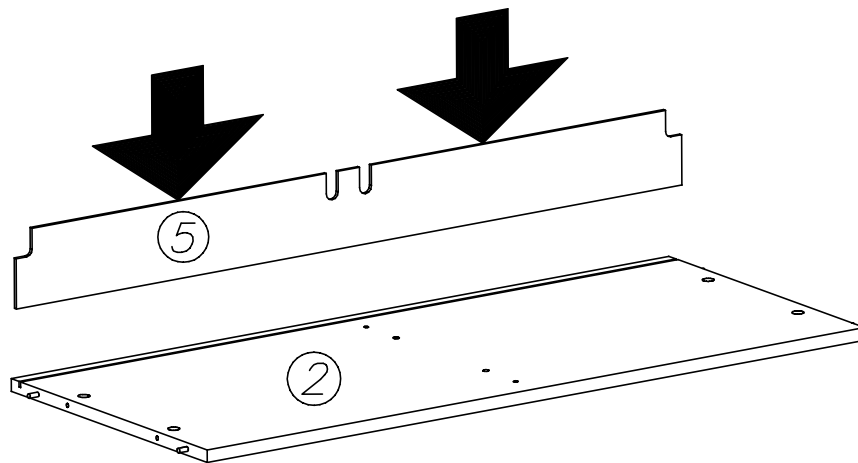
VI



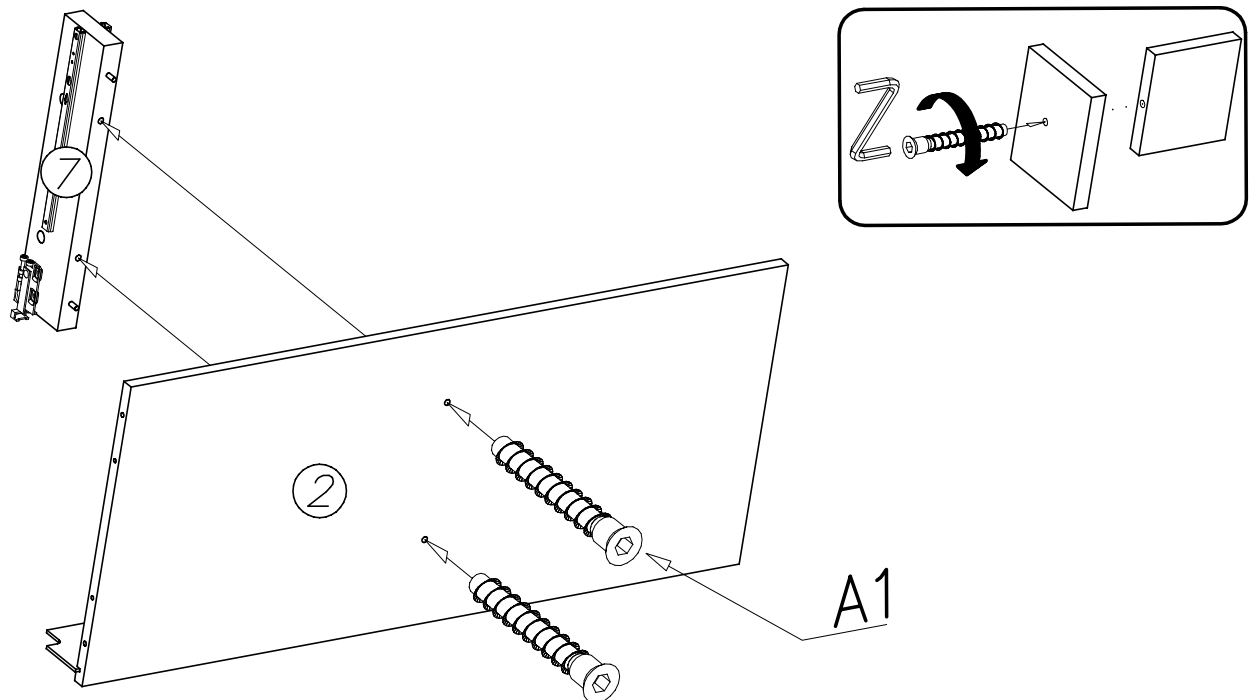
VII



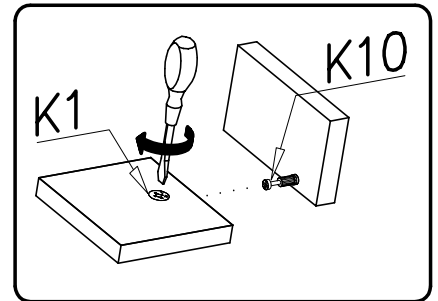
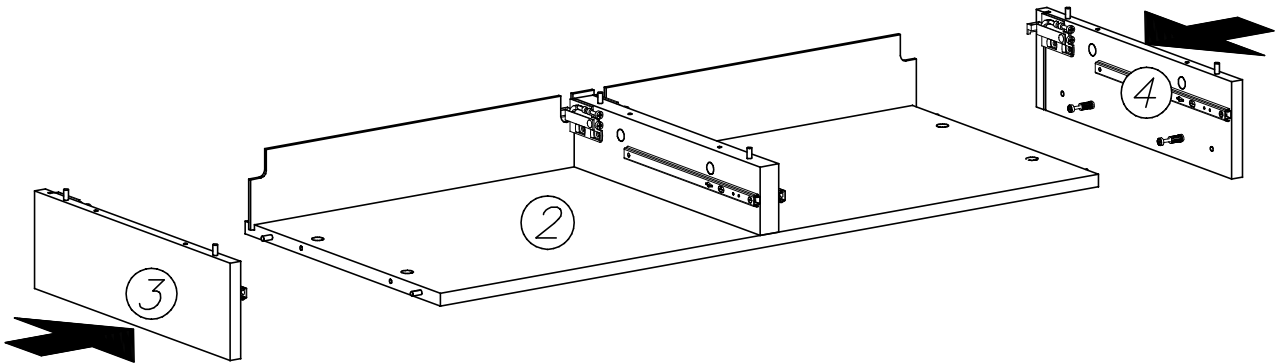
VIII



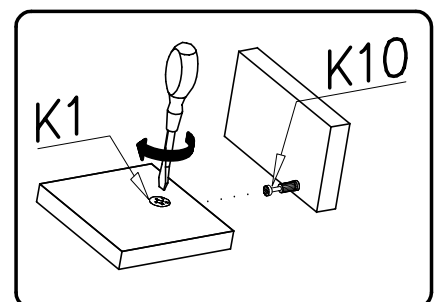
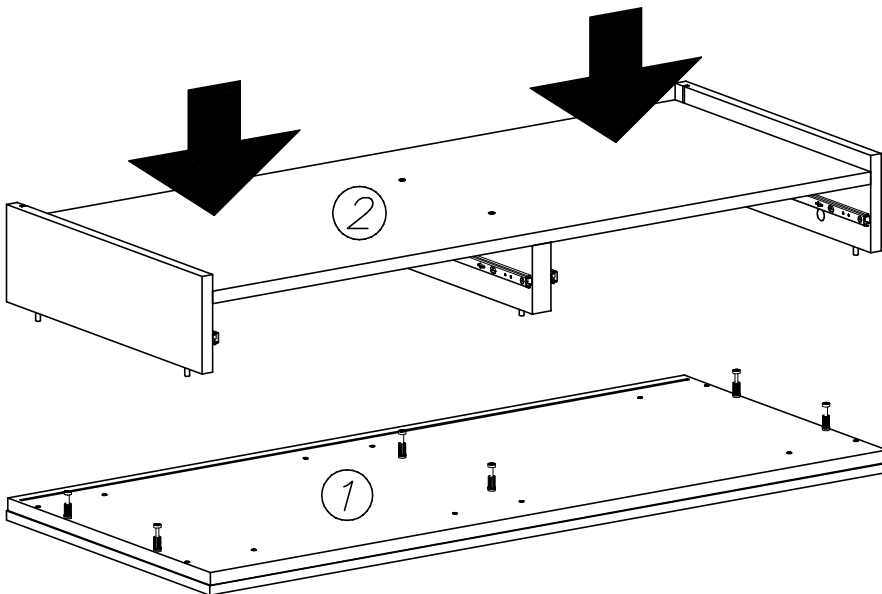
IX



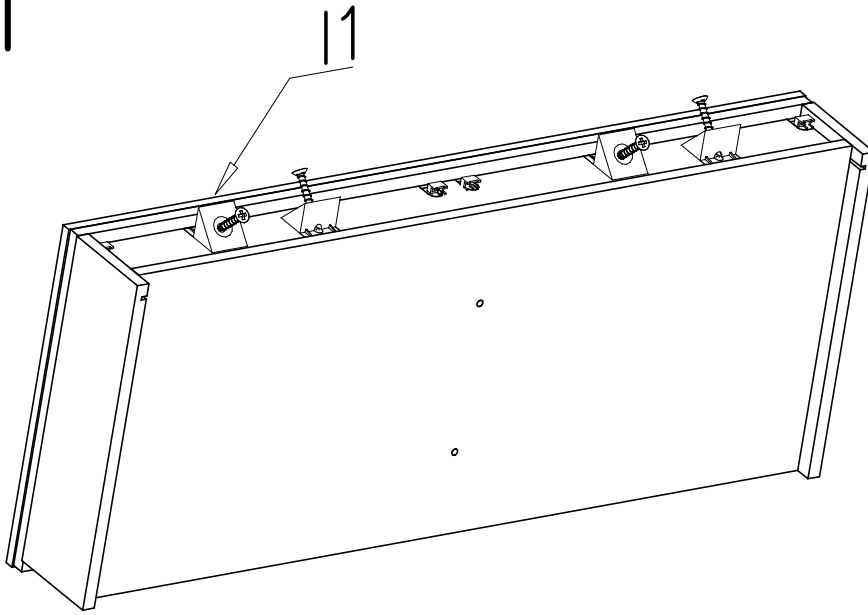
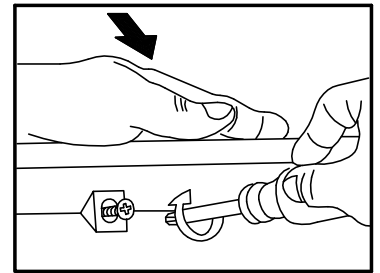
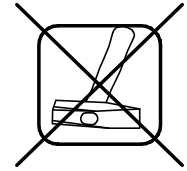
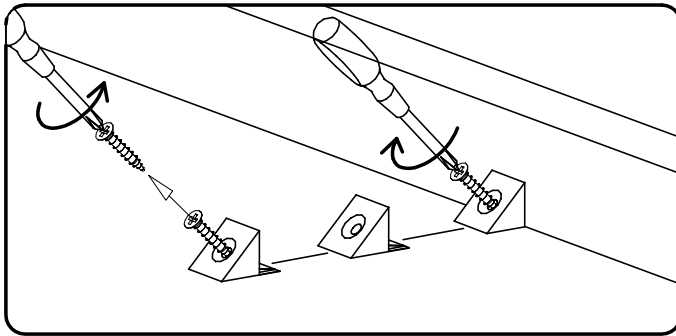
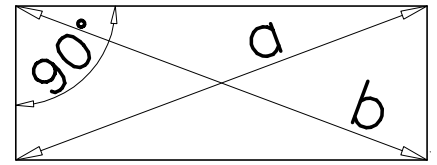
X



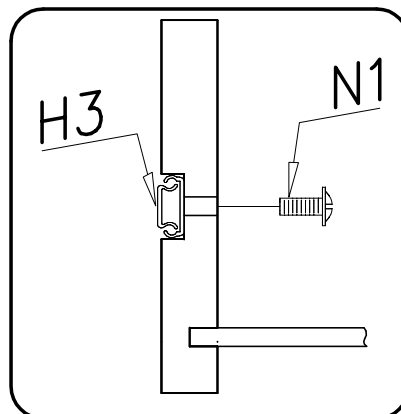
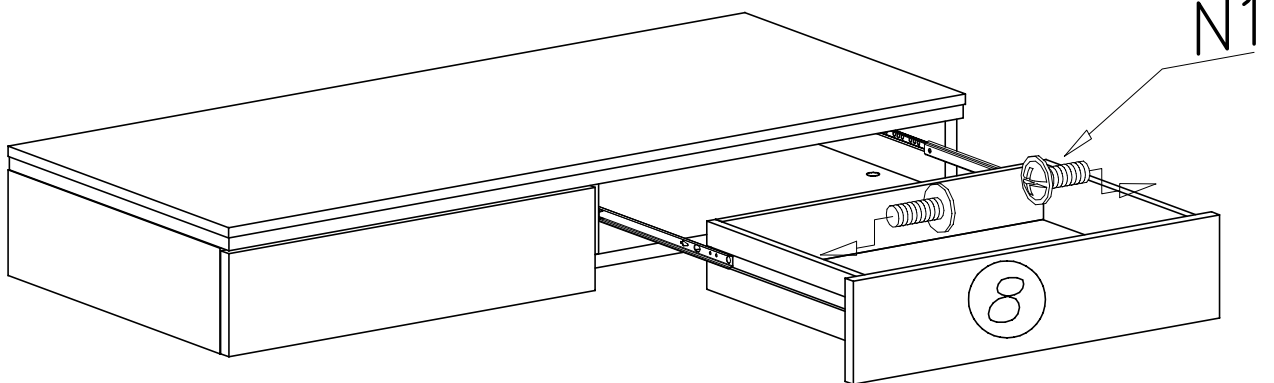
XI



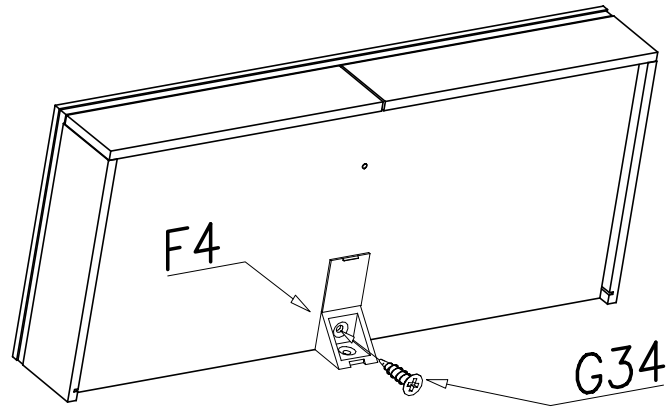
XII

 $a=b$ 

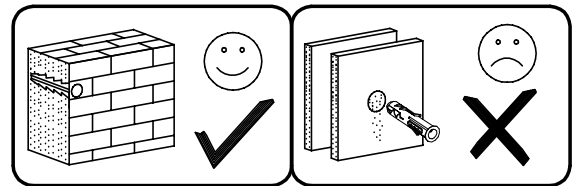
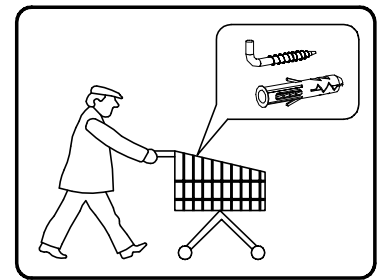
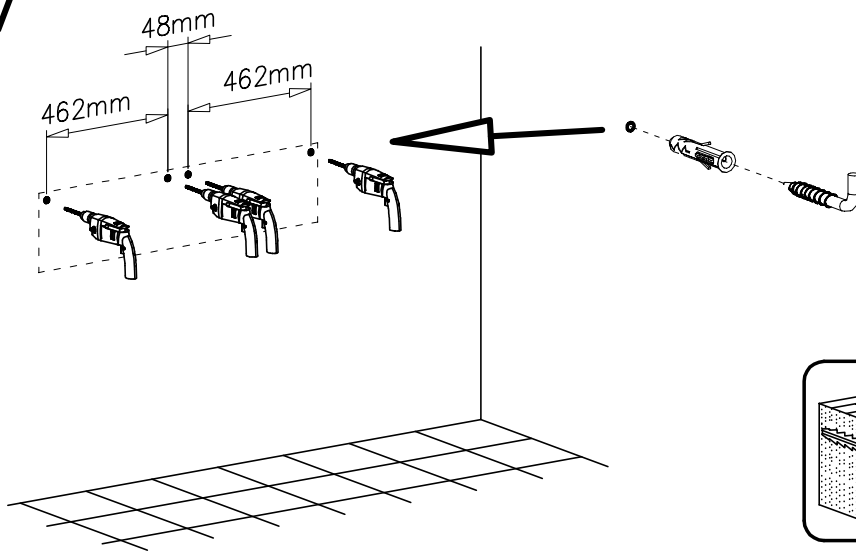
XIII



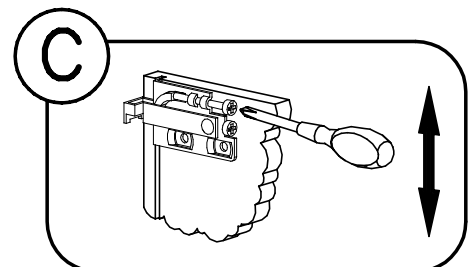
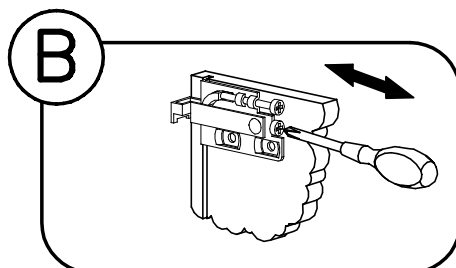
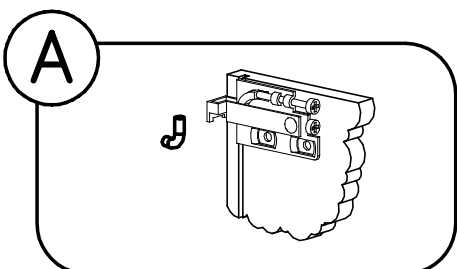
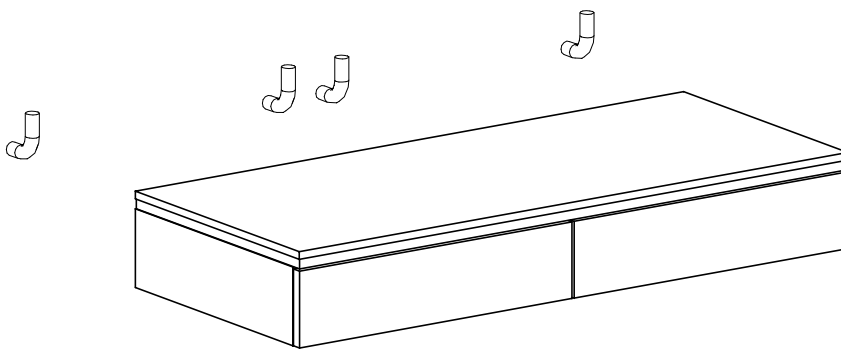
XIV



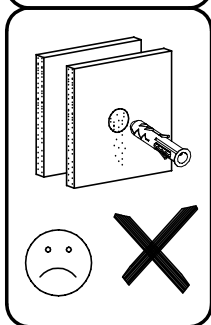
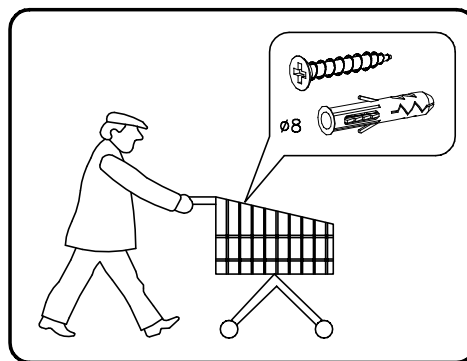
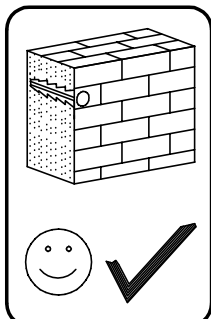
XV



XVI

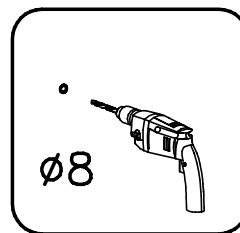
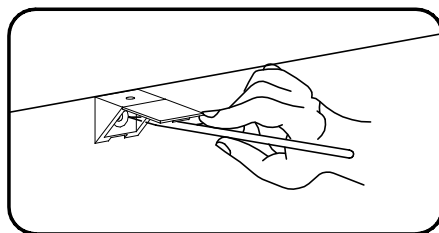


XVII



1

2



3

4

