

artos[®]

TS152

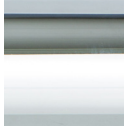
INSTRUCTION MANUAL

trova tub/shower
set with rain head

BRUSHED NICKEL (BN)



CHROME (CH)



BLACK (BK)



SATIN BRASS (SB)



artos[®]

TS152

trova tub/shower
set with rain head

OPERATING SPECIFICATIONS



FEATURES

2-Outlets

INCLUDES

Rain Head & Arm

Valve Trim

Tub Filler With Diverter

OPERATING PRESSURE

Minimum: 15 psi

Maximum: 125 psi

Above 90psi it may be necessary to install a pressure reducer

OPERATING TEMPERATURE

Maximum: 176°

FLOW CAPACITY

Shower Head: 1.8 USGPM

Tub Filler: 6.3 USGPM

STANDARDS

ASSE 1016-2011 | ASME_A112.1016-2011 | CSA B125:16-11



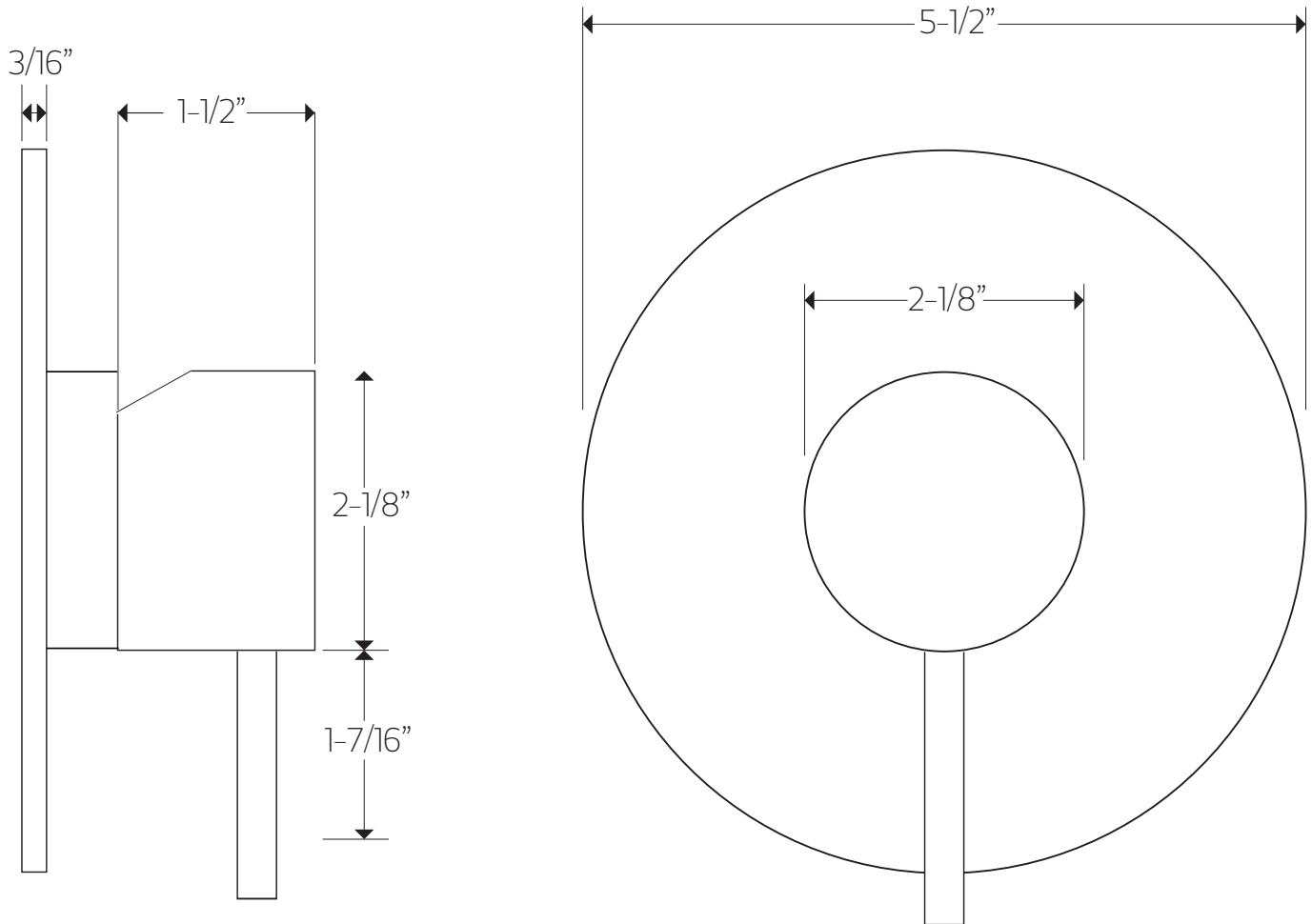
artos[®]

TS152

trova tub/shower
set with rain head

PRODUCT DIMENSIONS

for trim kit



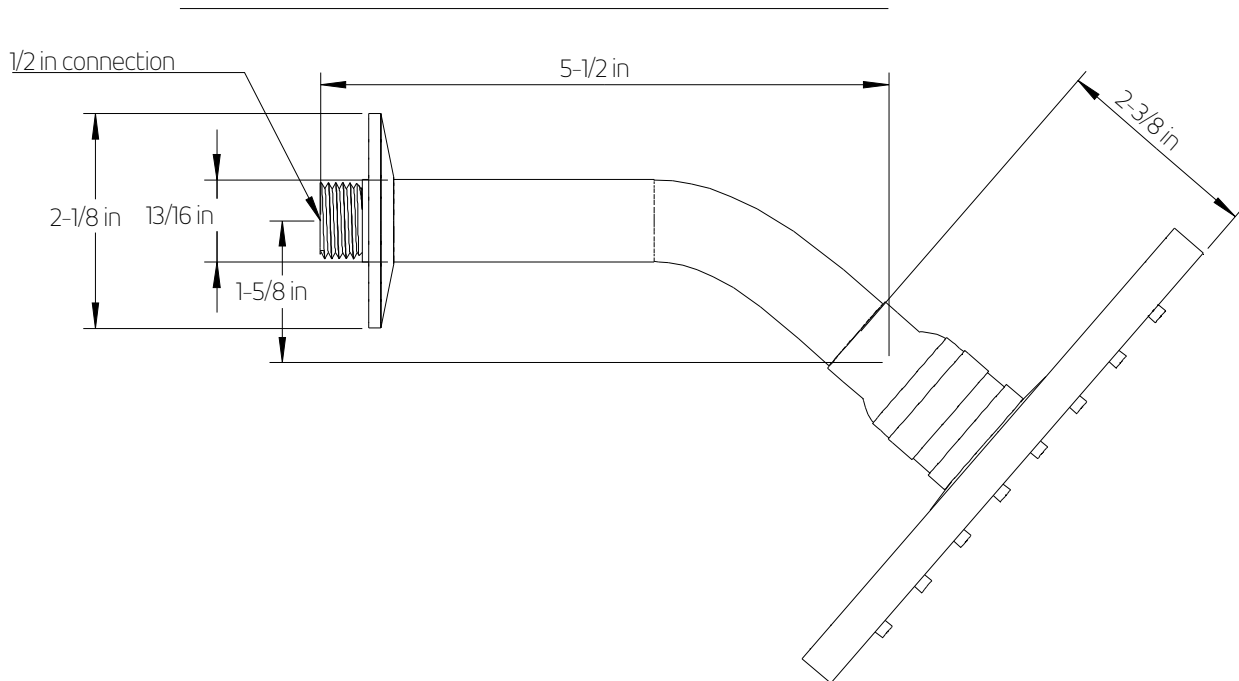
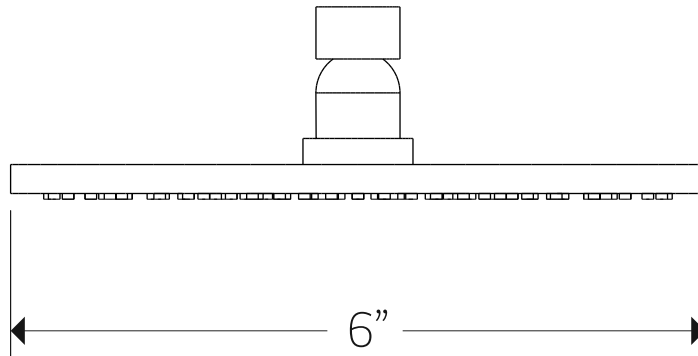
artos[®]

TS152

trova tub/shower
set with rain head

PRODUCT DIMENSIONS

for shower head



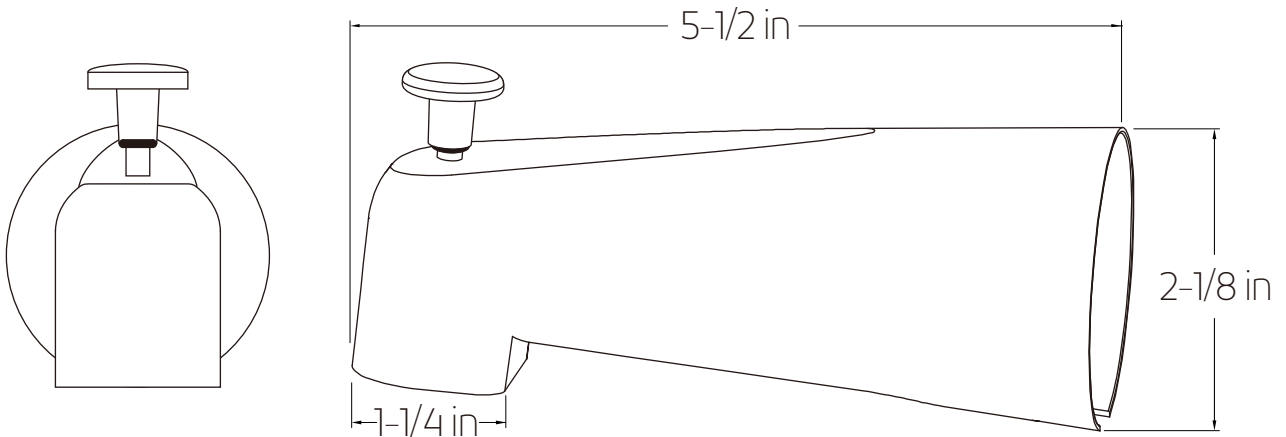
artos[®]

TS152

trova tub/shower
set with rain head

PRODUCT DIMENSIONS

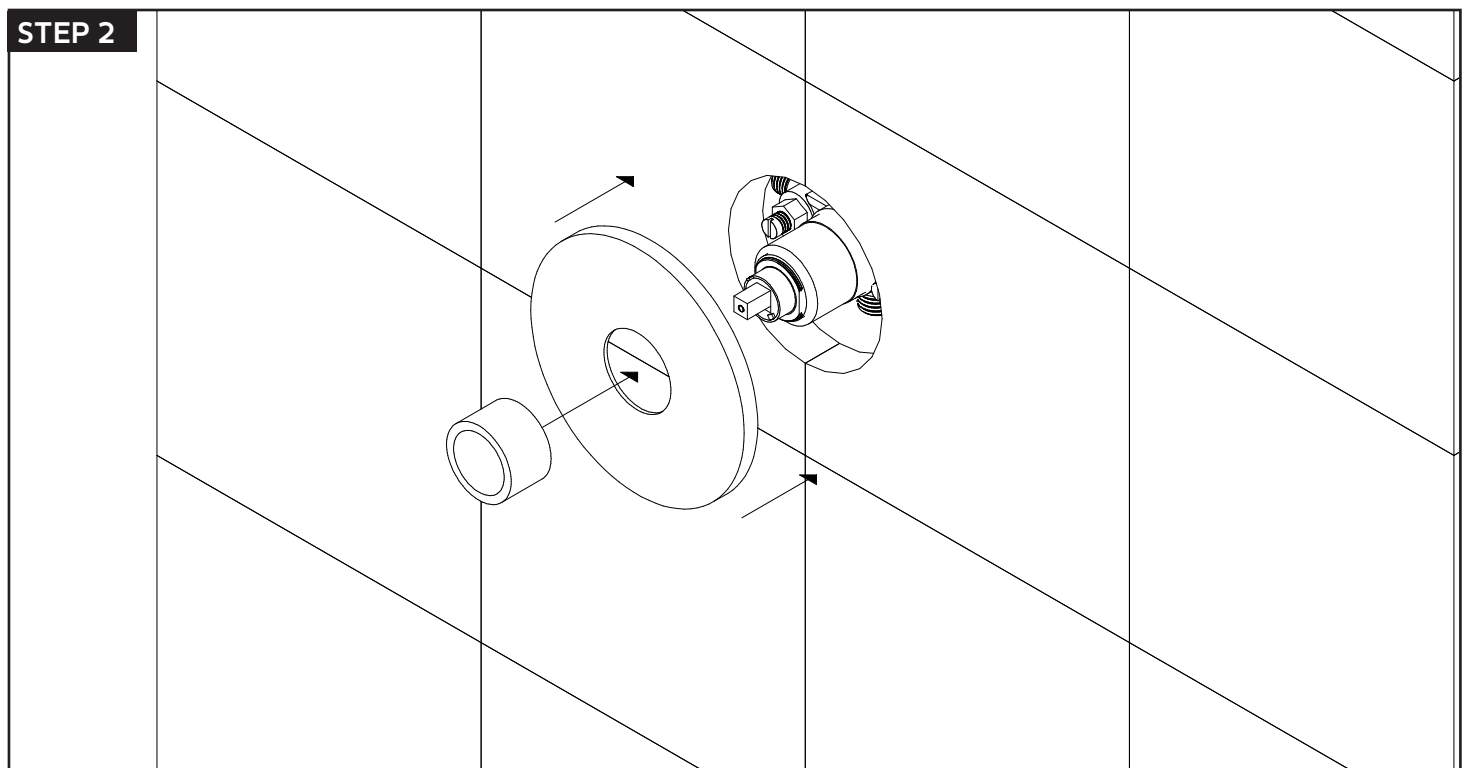
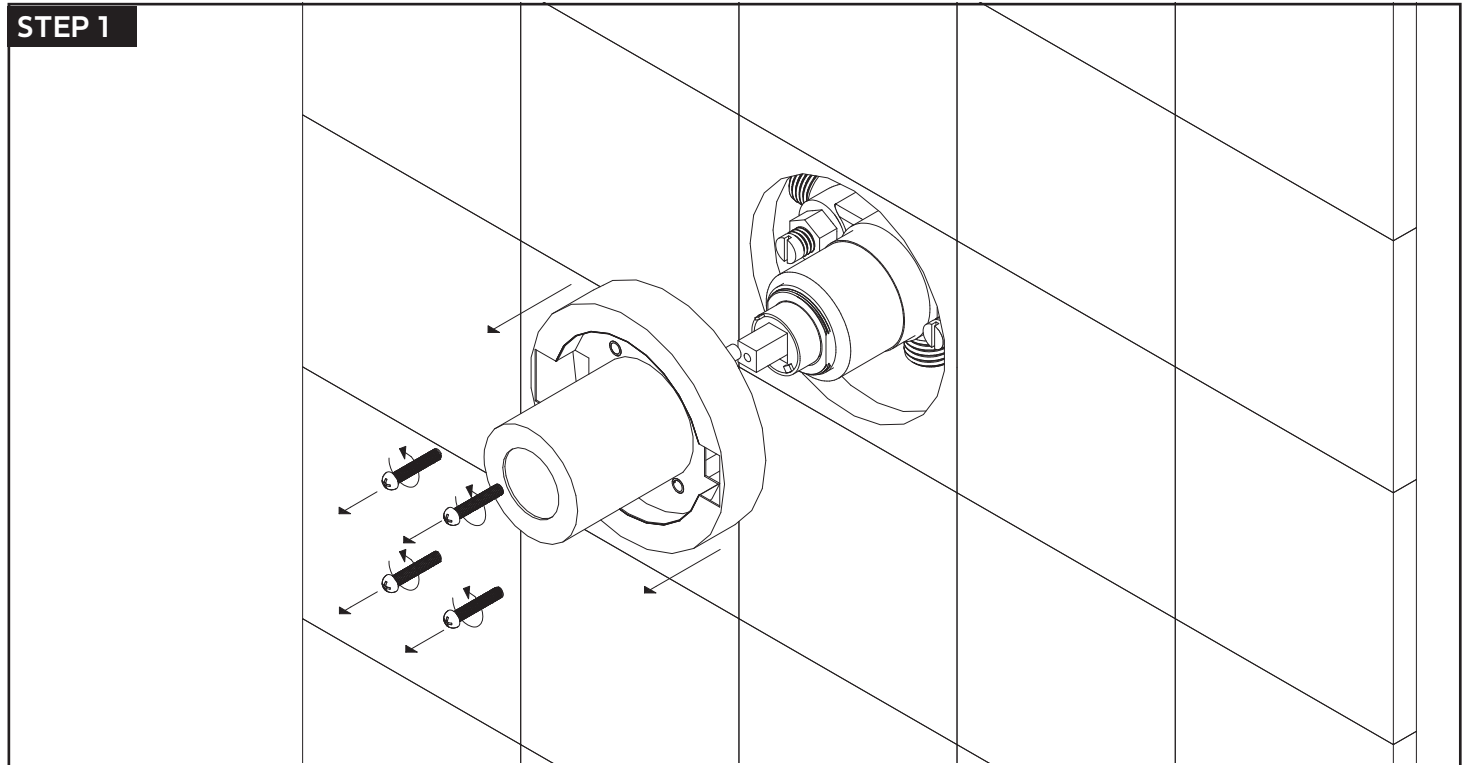
for tub filler



artos[®]

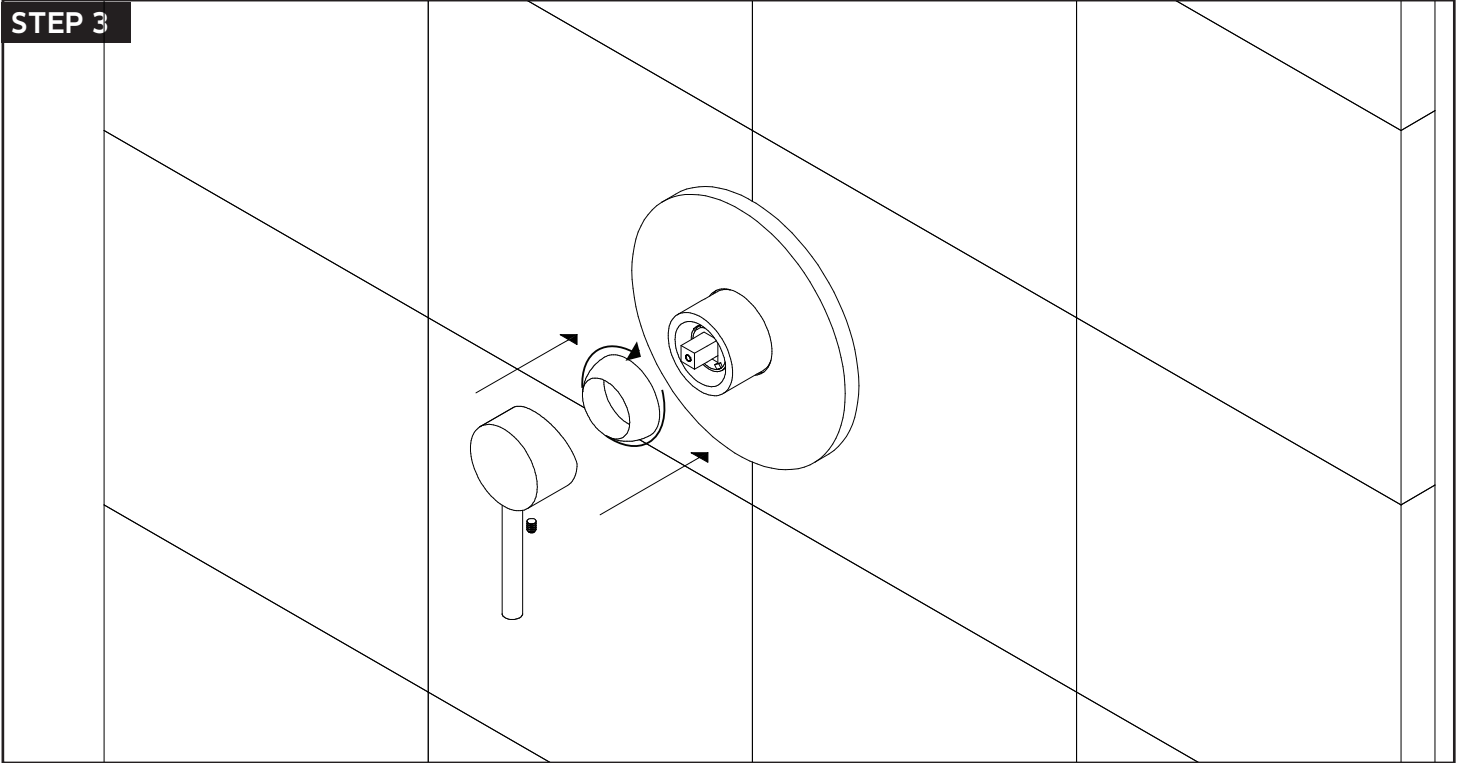
TS152

valve trim

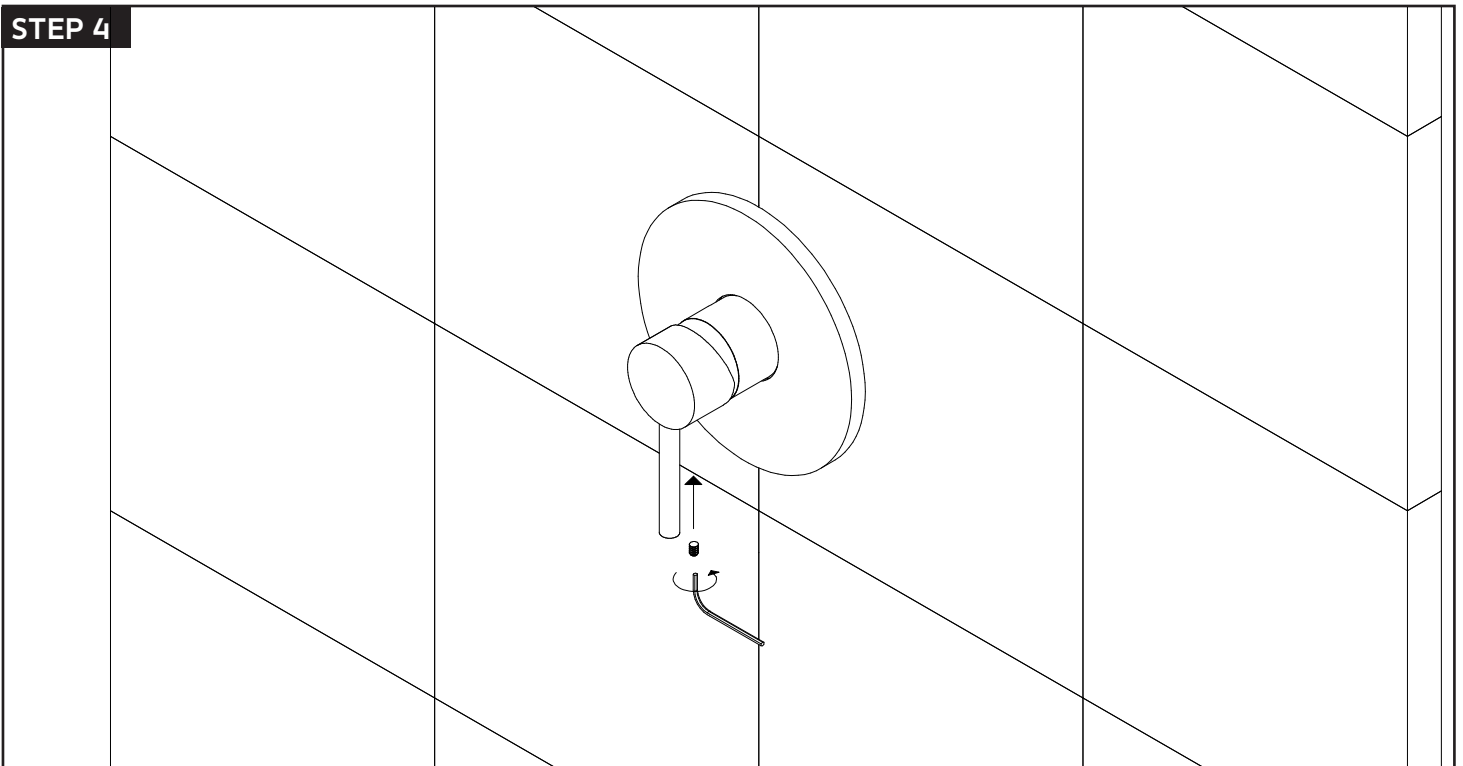


INSTALLATION STEPS

STEP 3



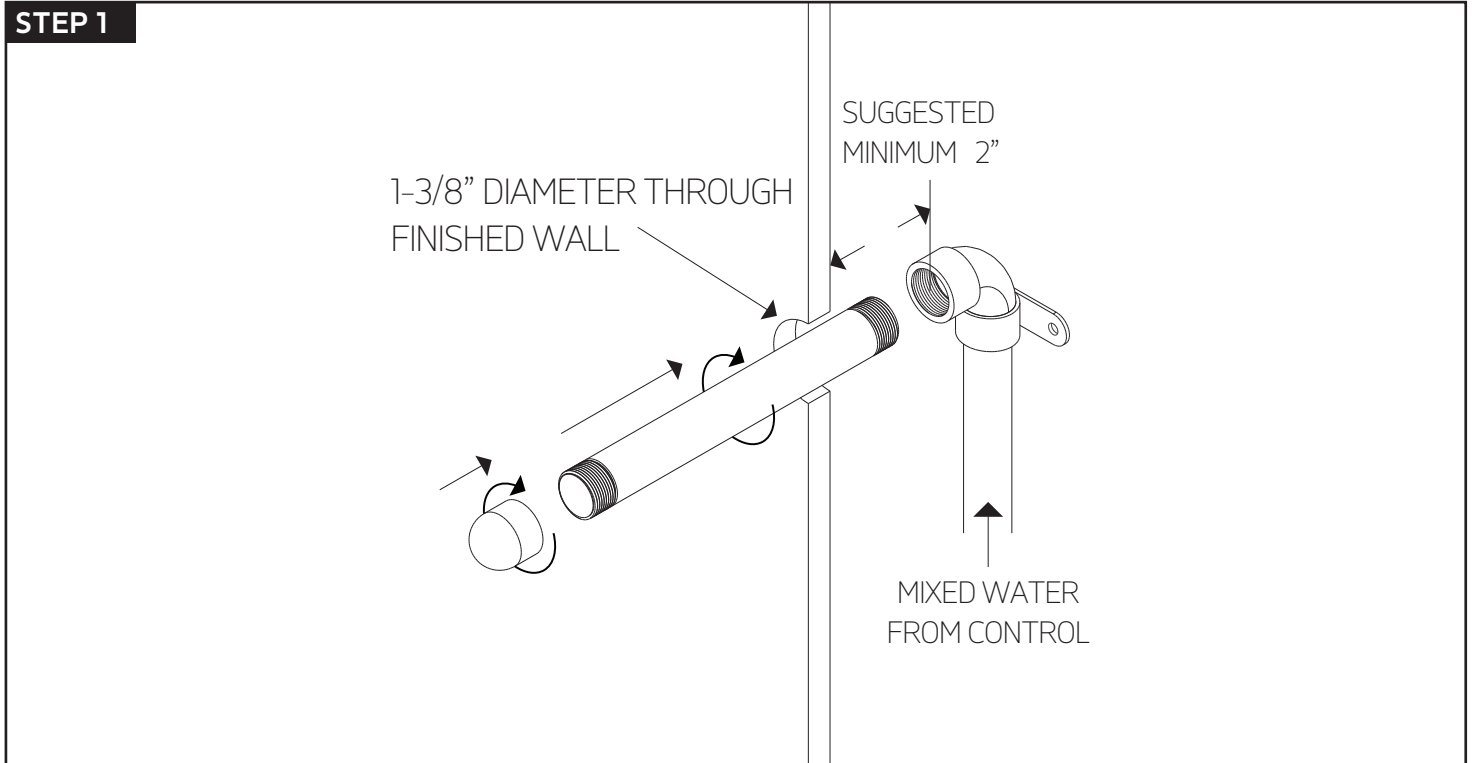
STEP 4



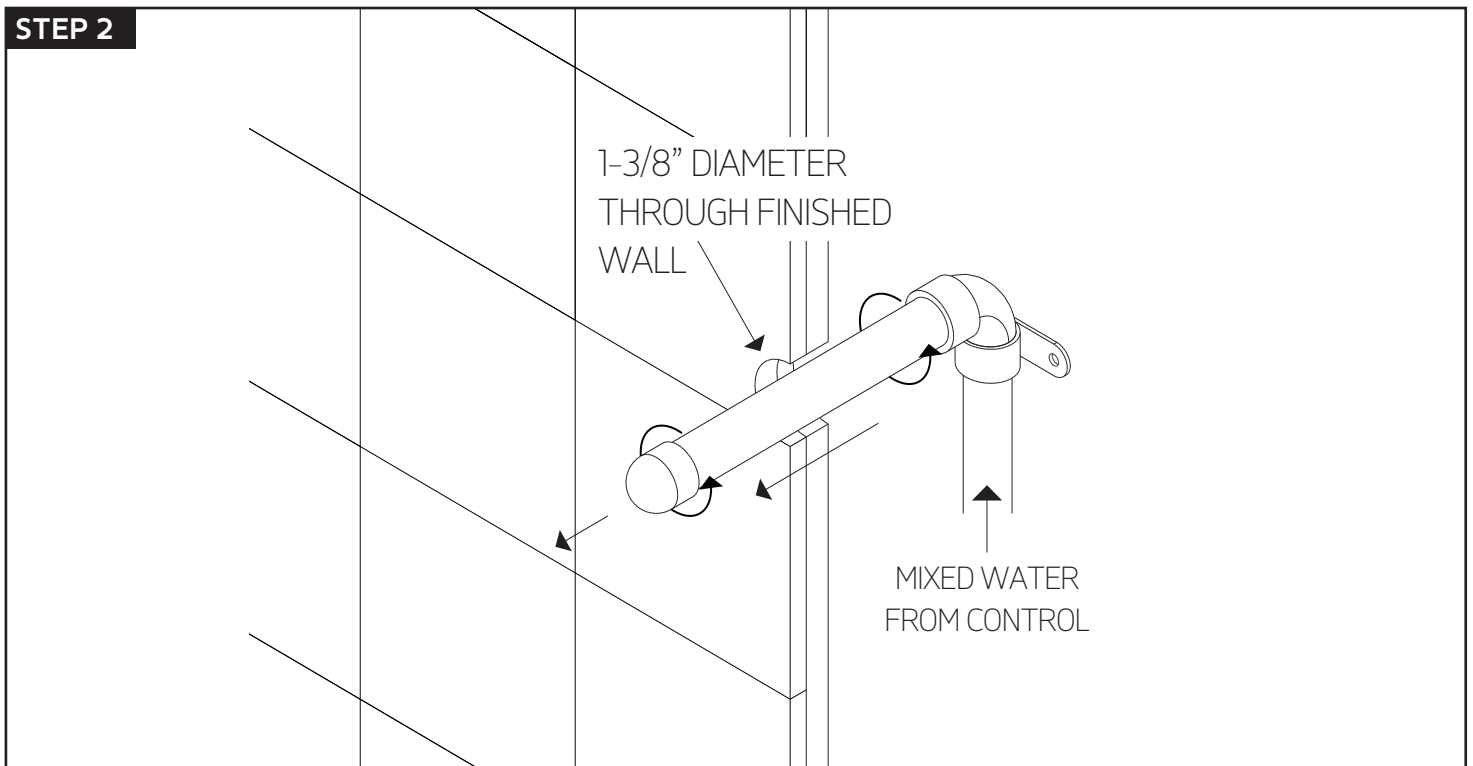
TS152

shower head

STEP 1

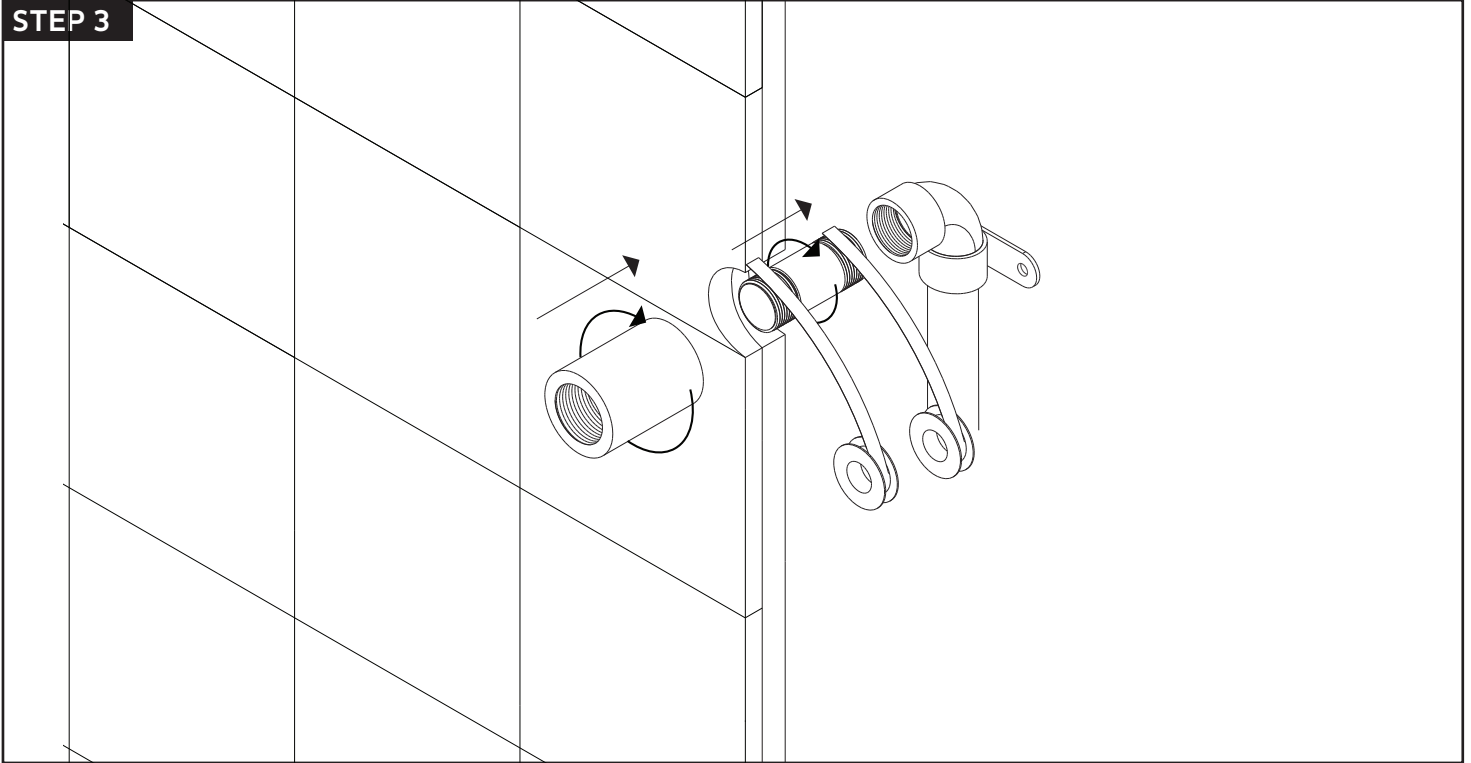


STEP 2

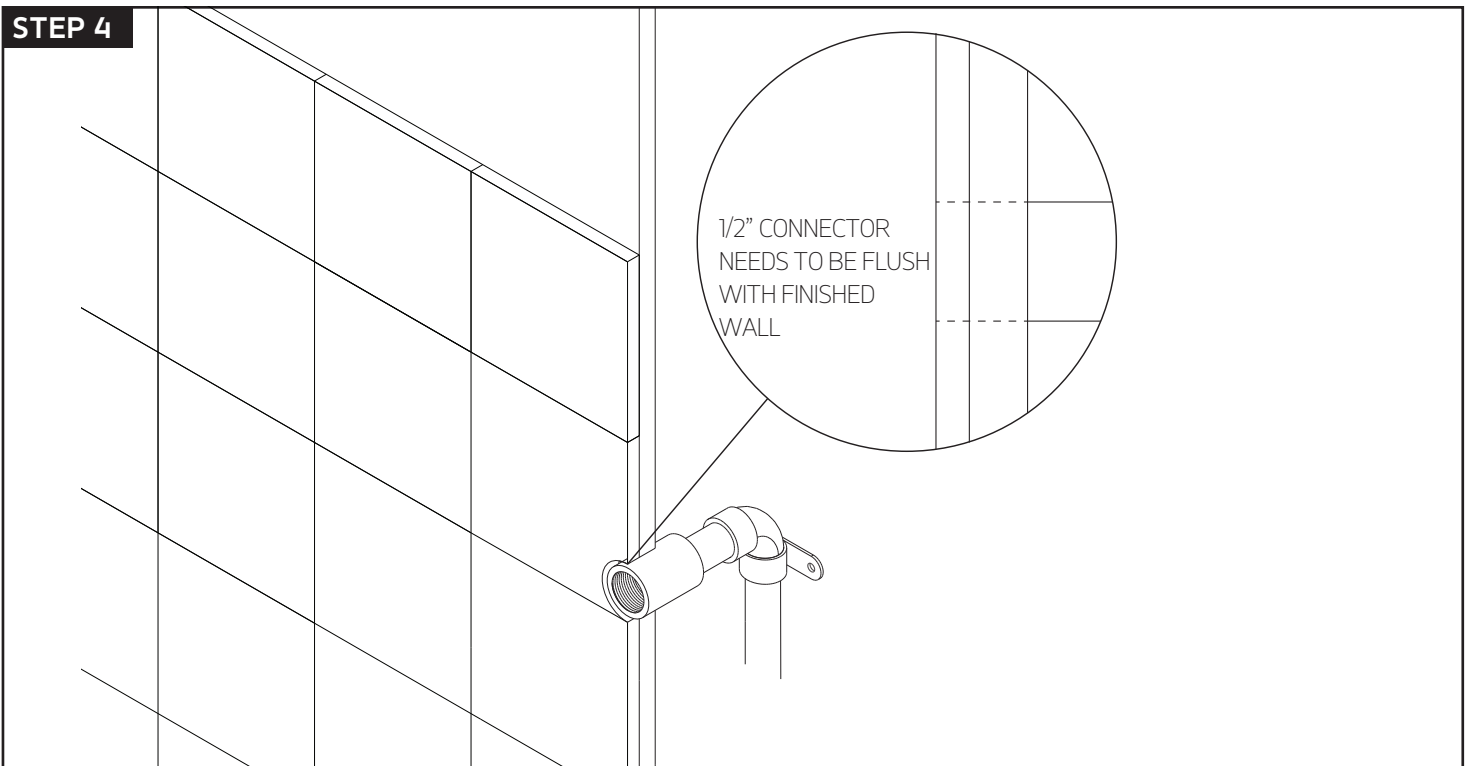


INSTALLATION STEPS

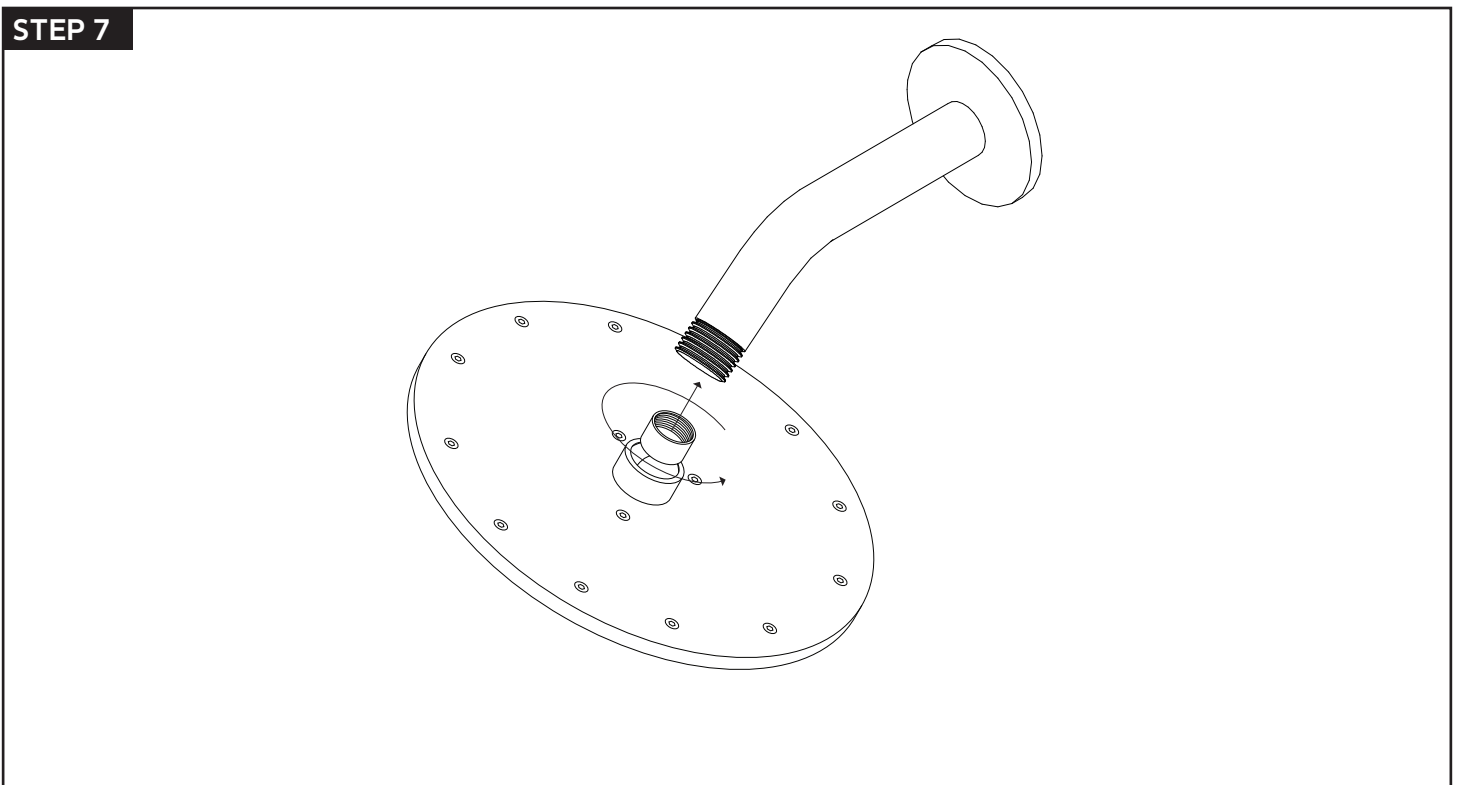
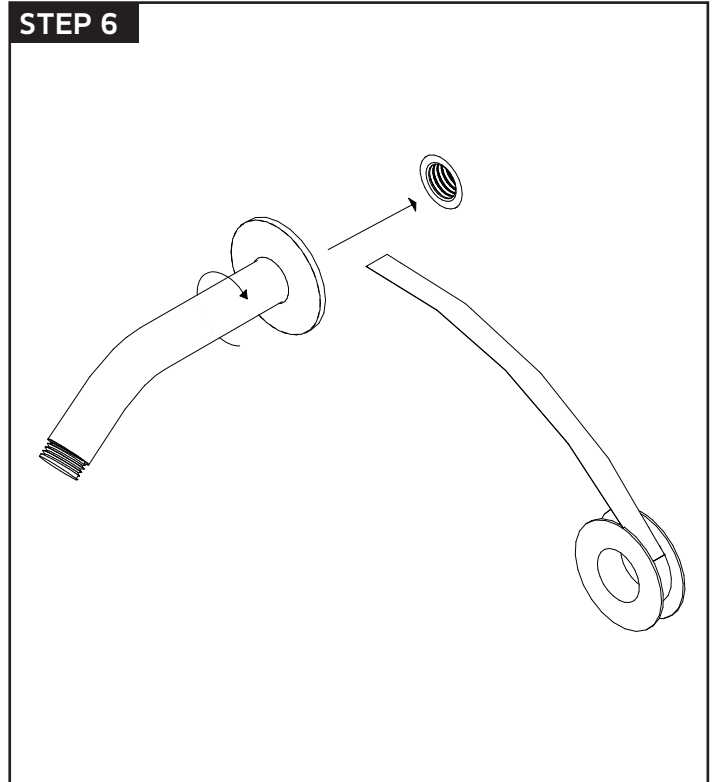
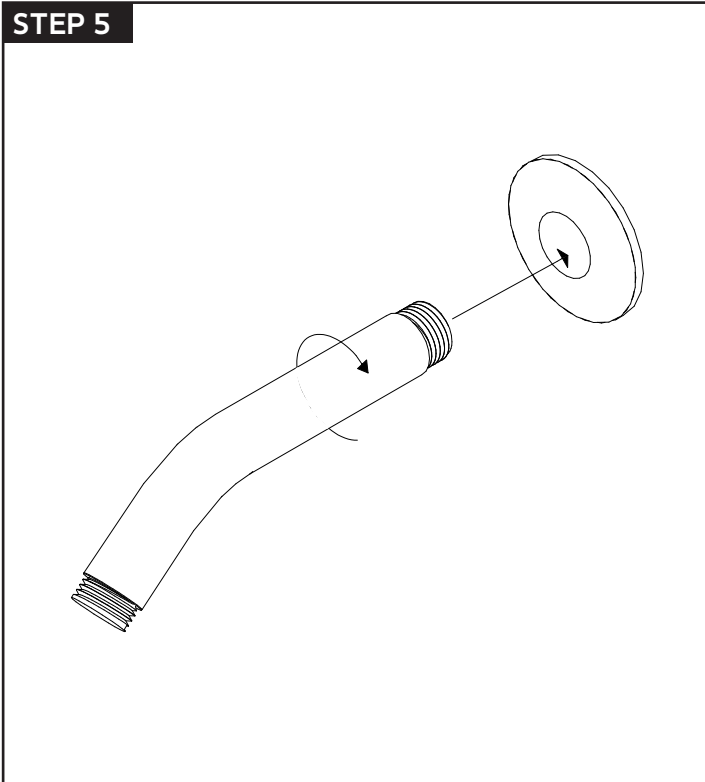
STEP 3



STEP 4



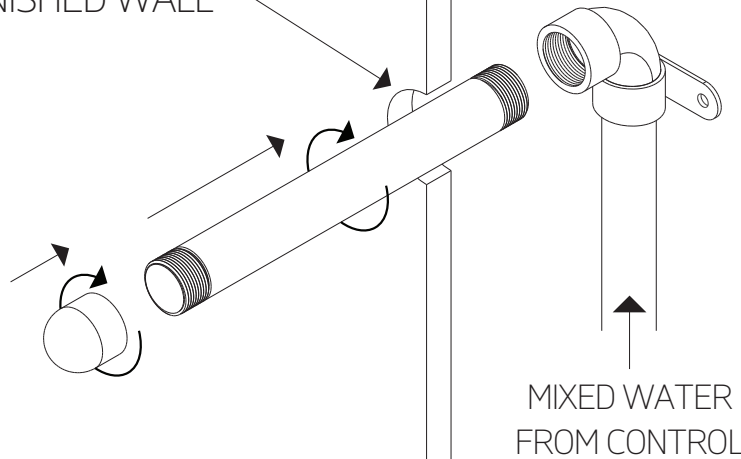
shower head



tub filler

STEP 1

1-5/8" DIAMETER THROUGH
FINISHED WALL



STEP 2

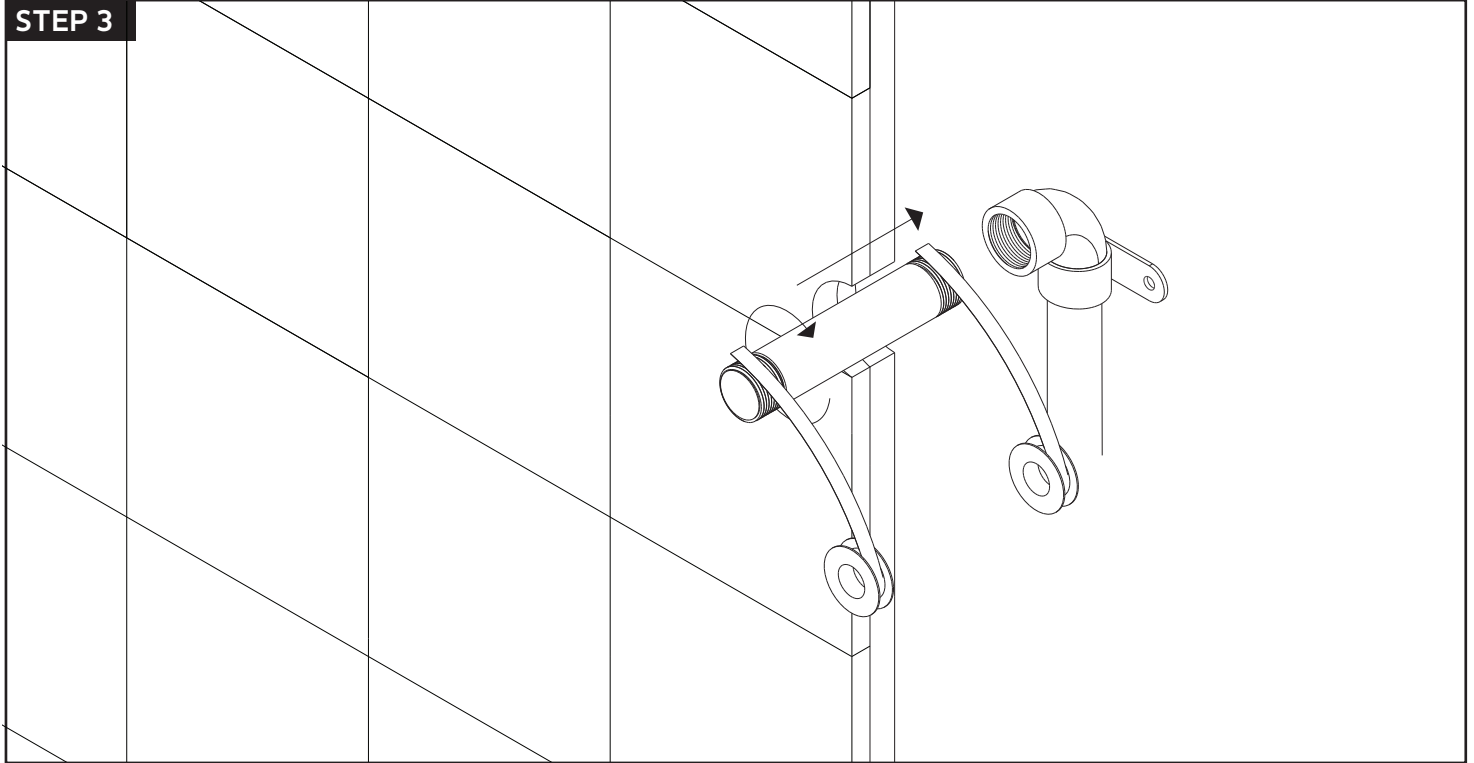
1-5/8" DIAMETER
THROUGH FINISHED
WALL

REMOVE
TEMPORARY
PIPE

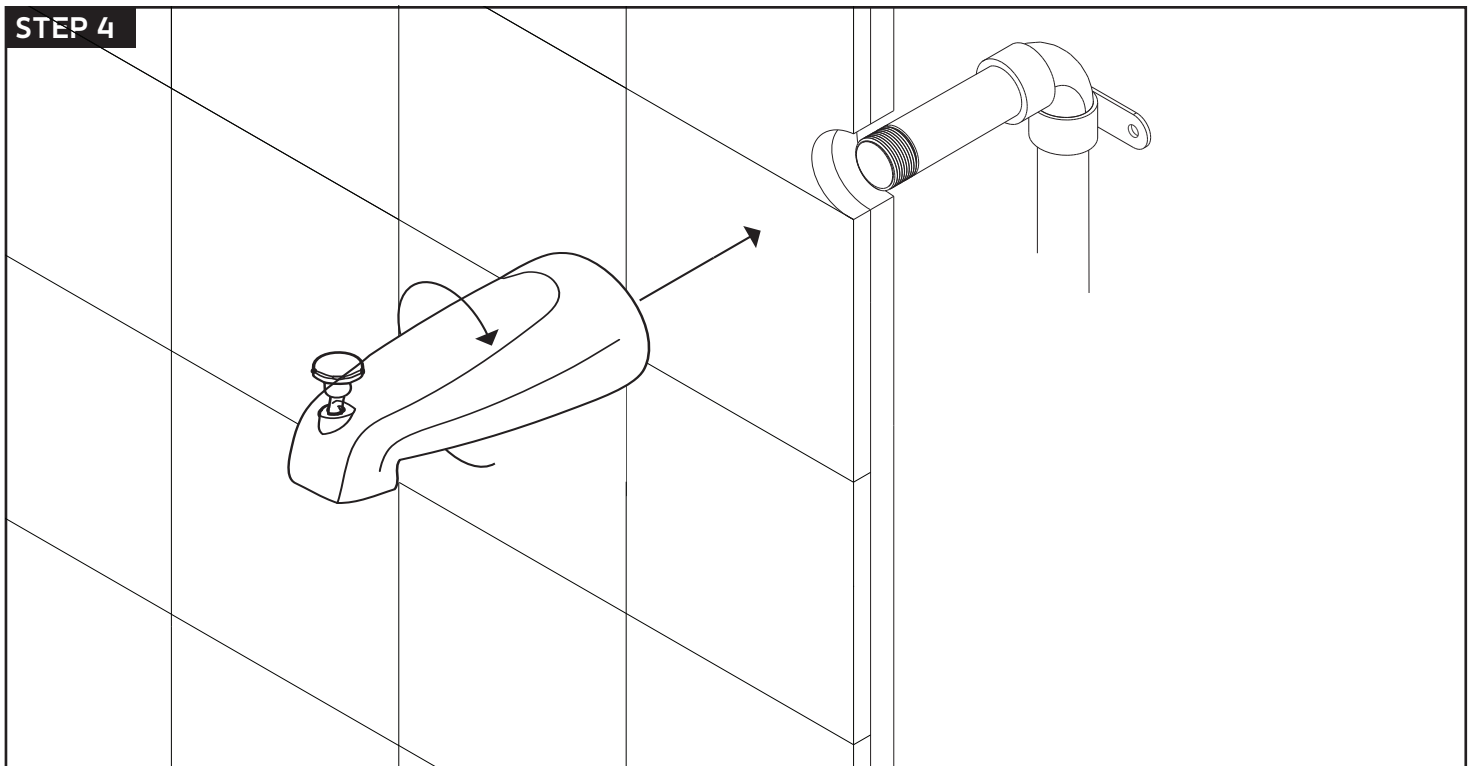
MIXED WATER
FROM CONTROL

tub filler

STEP 3



STEP 4

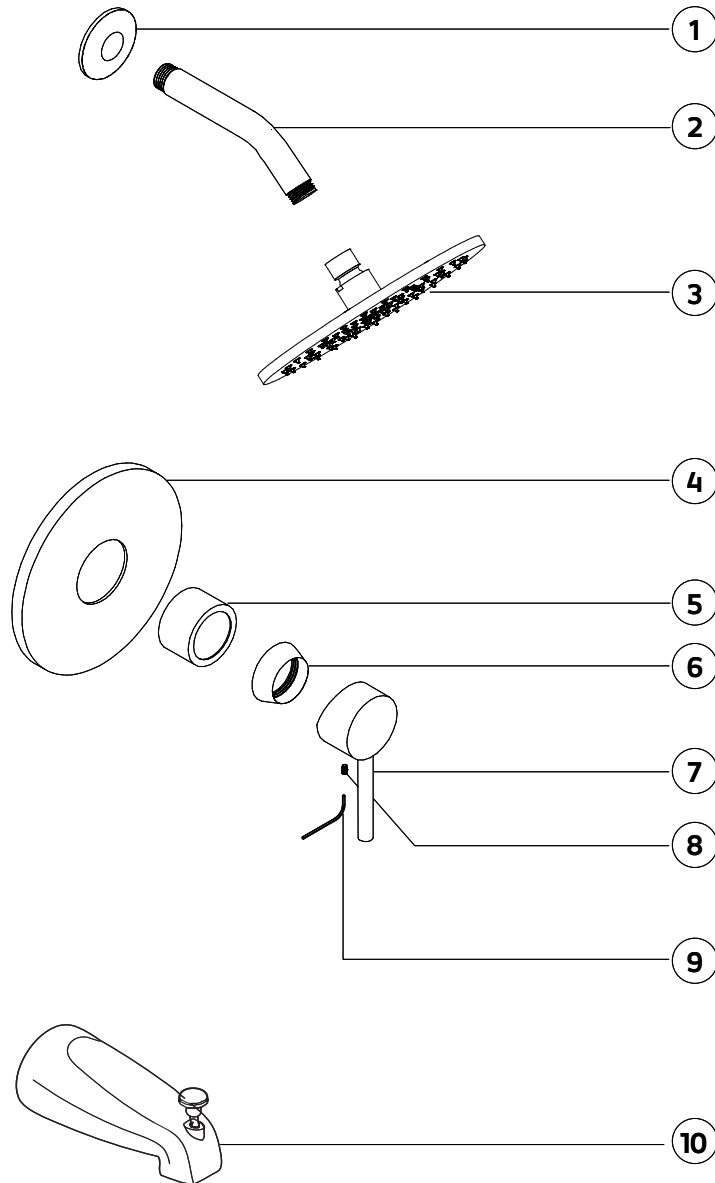


artos[®]

TS152

PARTS BREAKDOWN

trova shower set
with tub filler round



- 1 SHOWER ARM ESCUTCHEON
- 2 SHOWER ARM
- 3 SHOWER HEAD
- 4 TRIM KIT ESCUTCHEON
- 5 SLEEVE
- 6 BEVEL
- 7 HANDLE
- 8 SET SCREW
- 9 ALLEN WRENCH
- 10 TUB FILLER