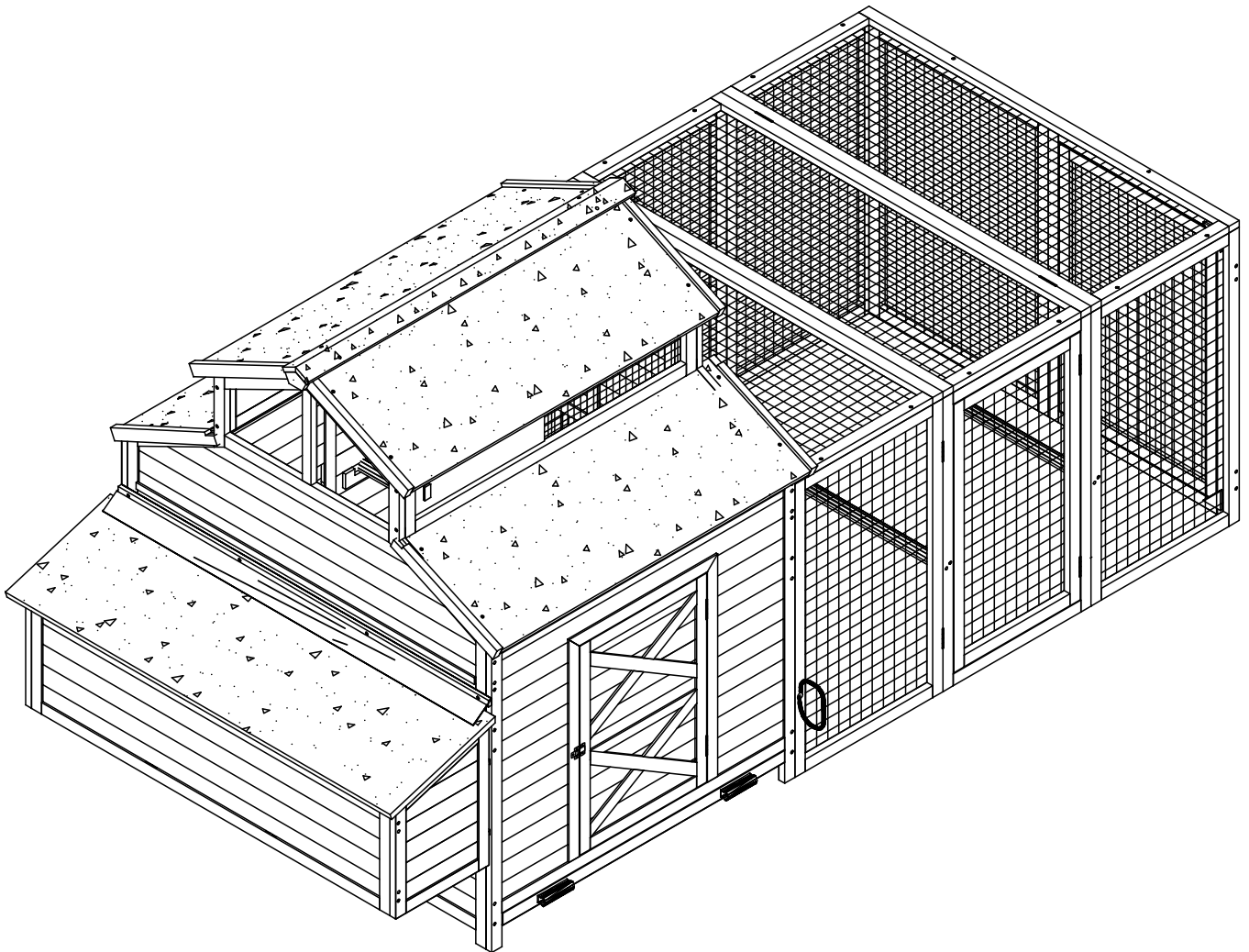


INSTRUCTION MANUAL





NOTICE

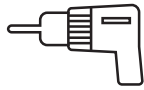
Please retain these instructions for future

- Firmly secure all bolts, screws and knobs before use.
- Reconfirm that all bolts, screws, and knobs are secure every 90 days.
- Fasten screws loosely during initial assembly. Do not fully tighten screws until the item is completely assembled.
- Do not use or store this item in the proximity of open flame or flammable/combustible chemicals.
- Be aware that some parts are heavy and have sharp edges.
- Be aware that moving parts can injure, crush and cut.
- If any parts are missing, broken, damaged, or worn, stop using this product until repairs are made and/or factory replacement parts are installed.
- Do not use this item in a way inconsistent with the manufacturer's instructions as this could void the product warranty.

TOOLS REQUIRED



PHILLIPS
SCREWDRIVER



DRILL
(RECOMMENDED)



2PERSON
ASSEMBLY



APPROXIMATELY
60MIN. ASSEMBLY

HARDWARE

M6.0x50 mm BOLT
4PCS+1 spare



P1

M3.5x60 mm SCREW
22PCS+1 spare



P2

M3.5x40 mm SCREW
28PCS+1 spare



P3

M3.5x35 mm SCREW
38PCS+1 spare



P4

M3.5x25 mm SCREW
8PCS+1 spare



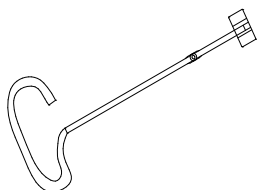
P5

M3.0x16 mm SCREW
16PCS+1 spare



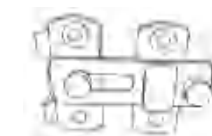
P6

Metal Rod
1PC



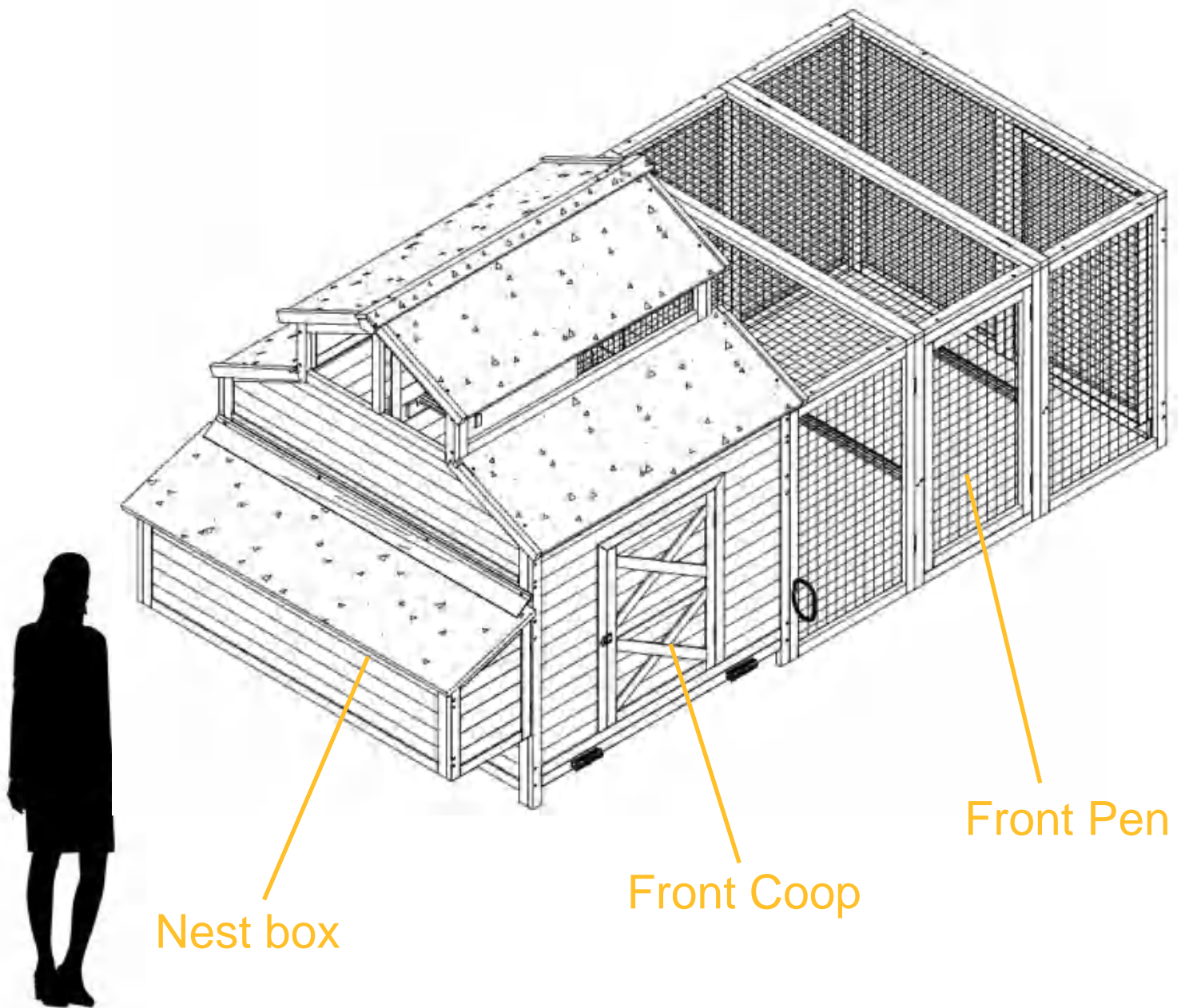
P7

2PCS



P8

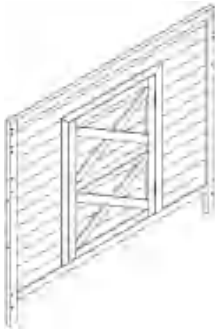
HARDWARE



PARTS

CARTON 1/4

Front panel of coop
1PC



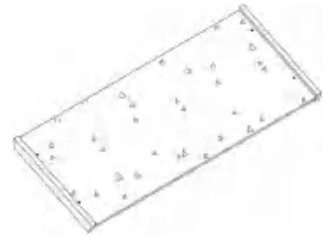
A

Back panel of coop
1PC



B

Coop roof-M
2PCS



M

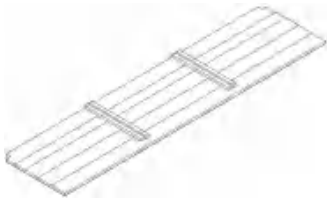
Hardware bag



PARTS

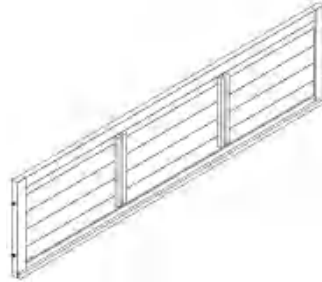
CARTON 2/4

Bottom panel of nest box
1PC



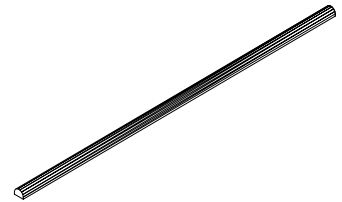
H

Front panel of nest box
1PC



I

Perch
2PCS



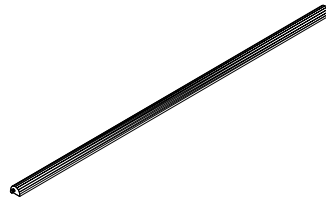
K

Roof cap
1PC



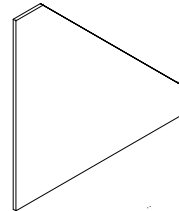
N

Perch
2PCS



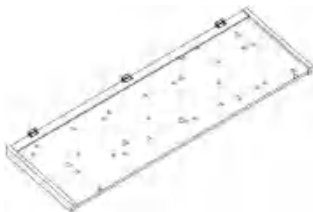
O

Divider panel of nest box
2PCS



P

Roof panel of nest box
1PC



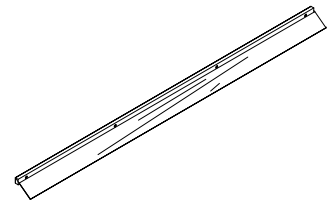
Q

Top panel of pen
1PC



U

PVC Waterproof Strip
1PC

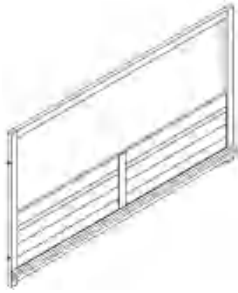


V

PARTS

CARTON 3/4

Left panel of coop-down
1PC



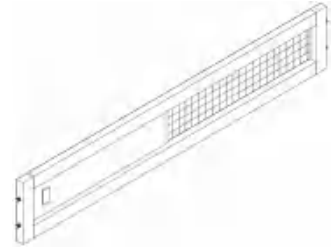
C

Right panel of coop-down
1PC



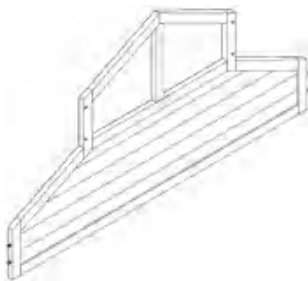
D

Ventilation panel
2PCS



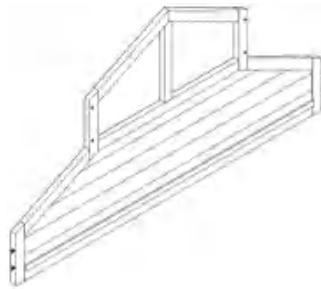
E

Right panel of coop-upper
1PC



F

Left panel of coop-upper
1PC



W

PARTS

CARTON 4/4

Left panel of nest box
1PC



G1

Right panel of nest box
1PC



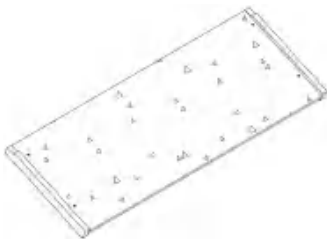
G2

Slide out tray
2PCS



J

Coop roof-L
2PCS



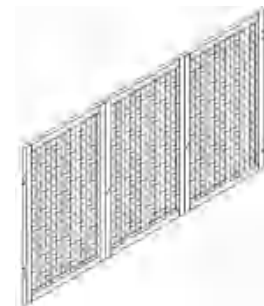
L

Front panel of pen
1PC



R

Back panel of pen
1PC



S

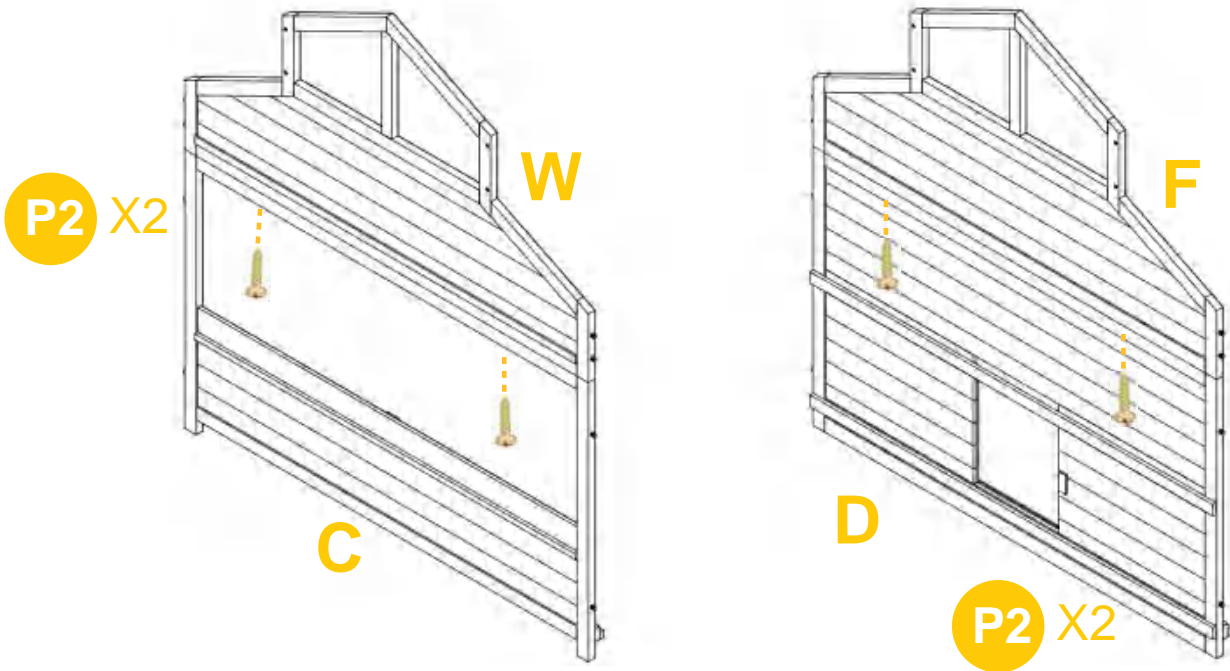
Side panel of pen
1PC



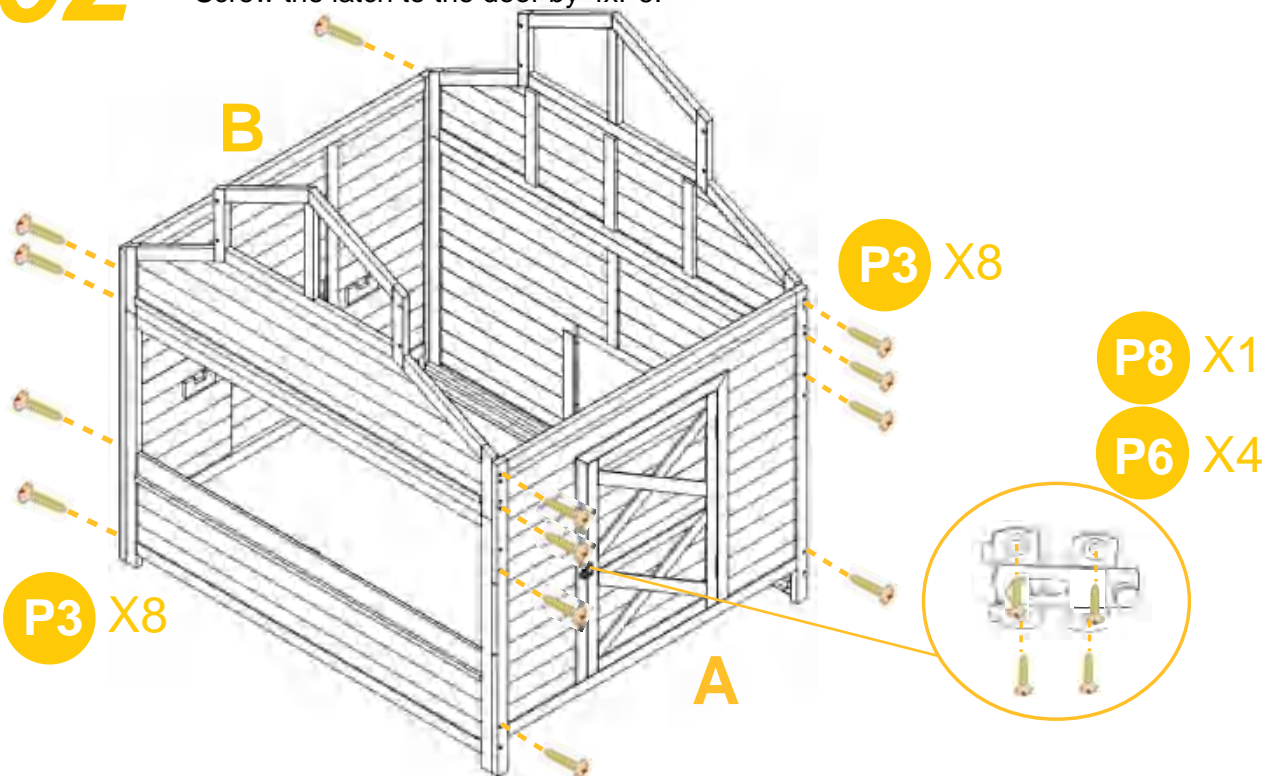
T

PRODUCT ASSEMBLY

01 Attach Part C and W by 2xP2 , repeat on Part D and F.

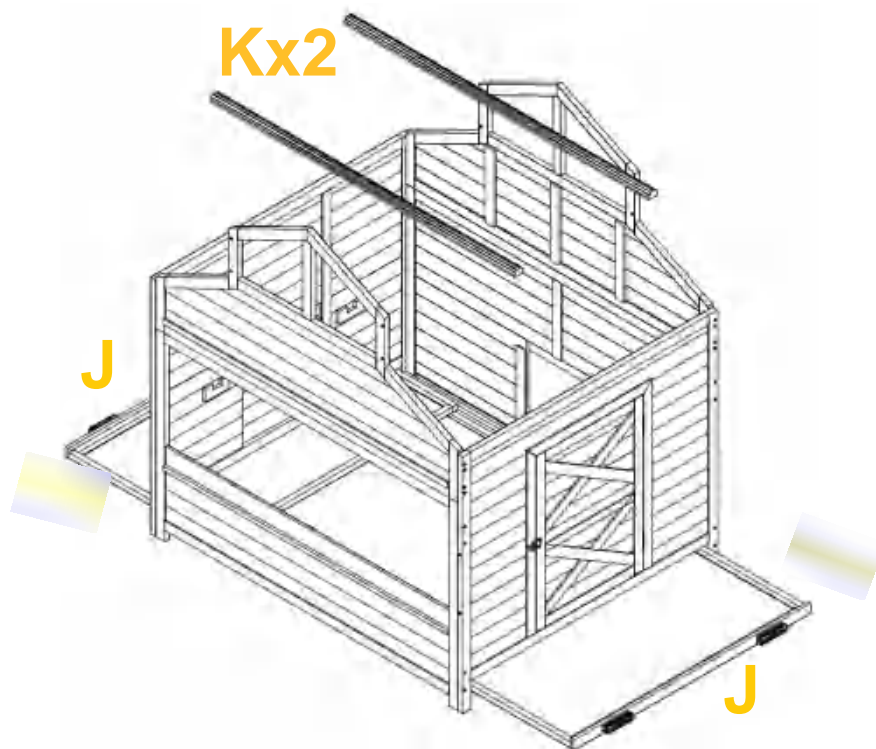


02 Attach Part A & B to the side of the coop panel by 16xP3. Screw the latch to the door by 4xP6.

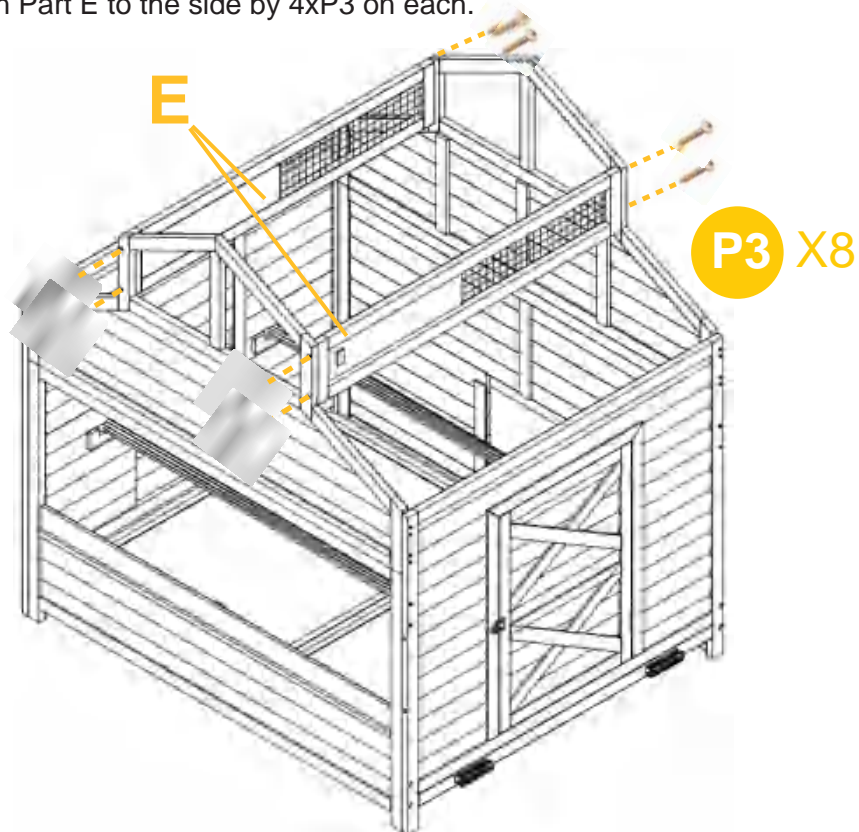


PRODUCT ASSEMBLY

03 Put in 2pcs of perch Part K and slide in 2pcs of tray Part J.

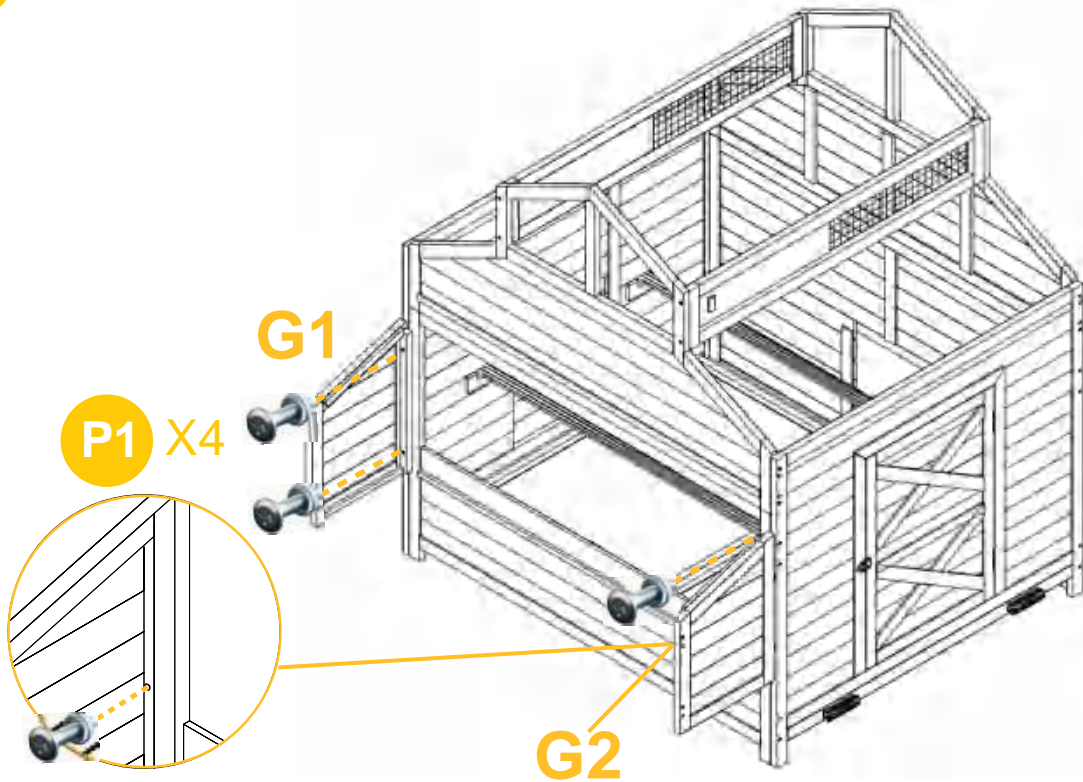


04 Attach Part E to the side by 4xP3 on each.

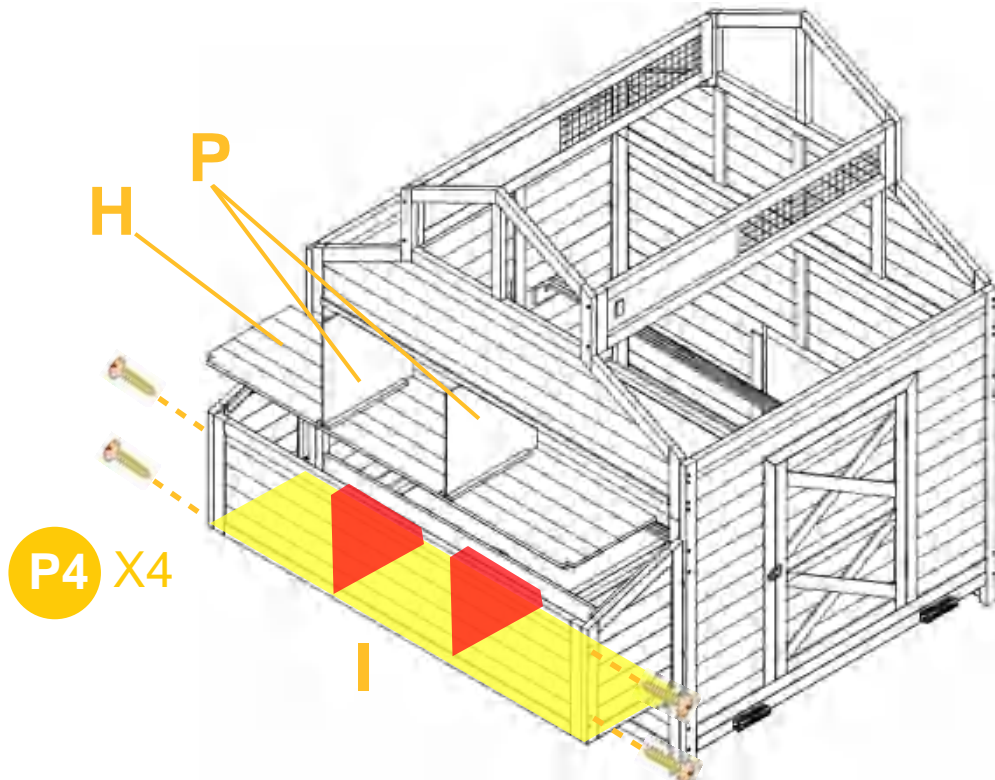


PRODUCT ASSEMBLY

05 Attach Part G1 & G2 to Part C by 2xP1 on each side.

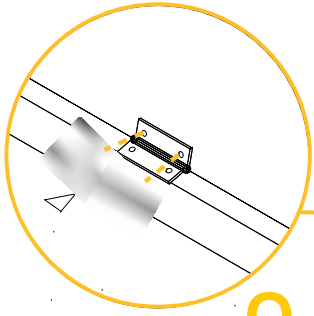


06 Attach Part I by 2xP4 on each side.
Put in the bottom panel Part H and then insert the divider panel Part P to the bottom.

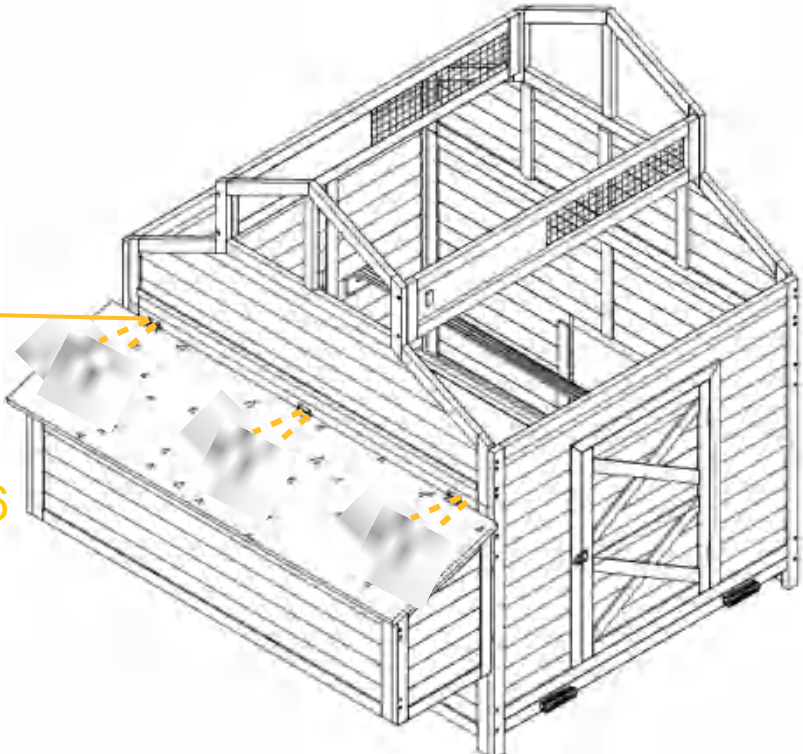


PRODUCT ASSEMBLY

07 Attach Part Q by 6xP6.

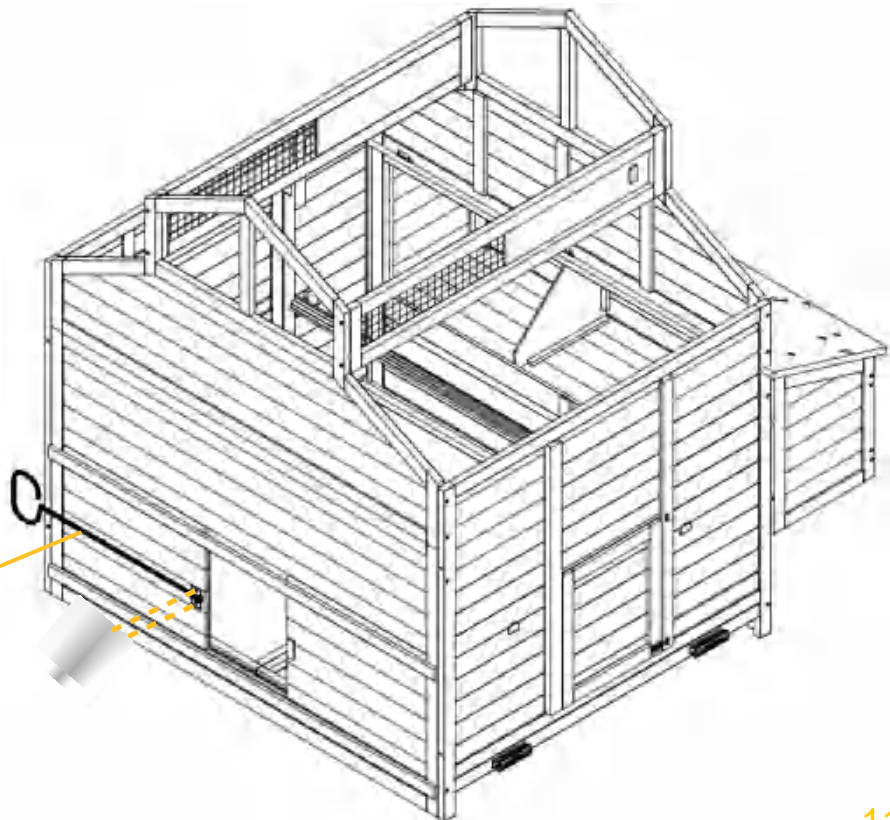
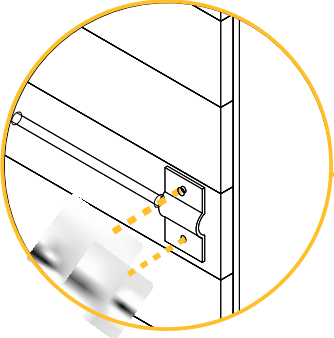


Q
P6 X6



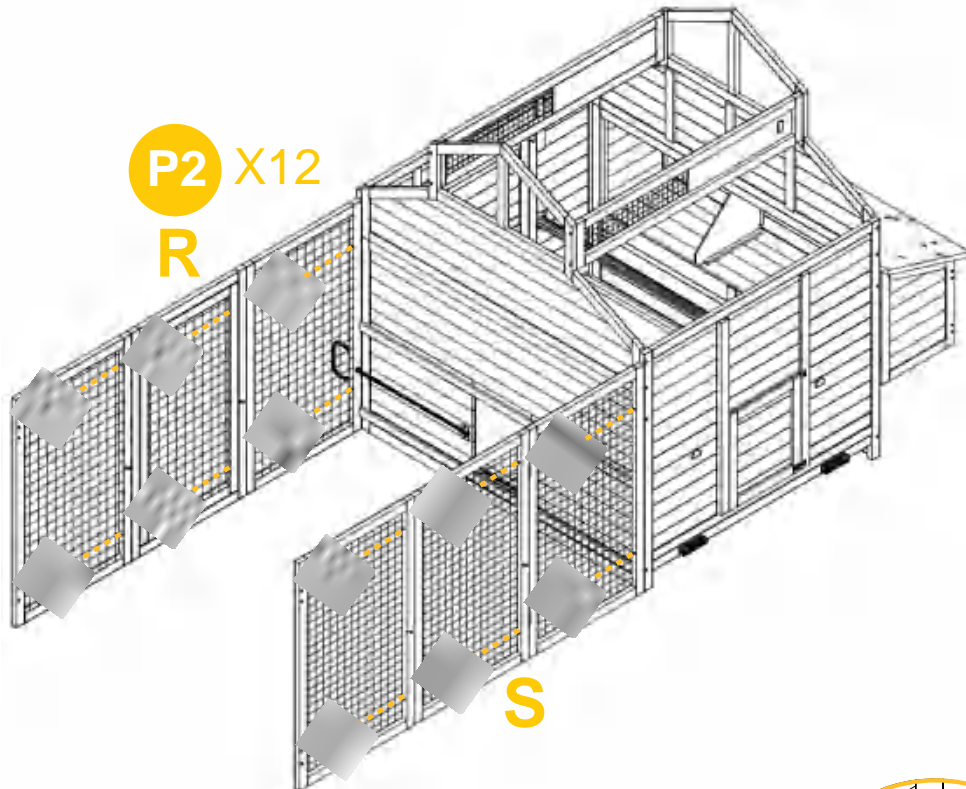
08 Attach P7 by 2xP6.

P7 X1
P6 X2

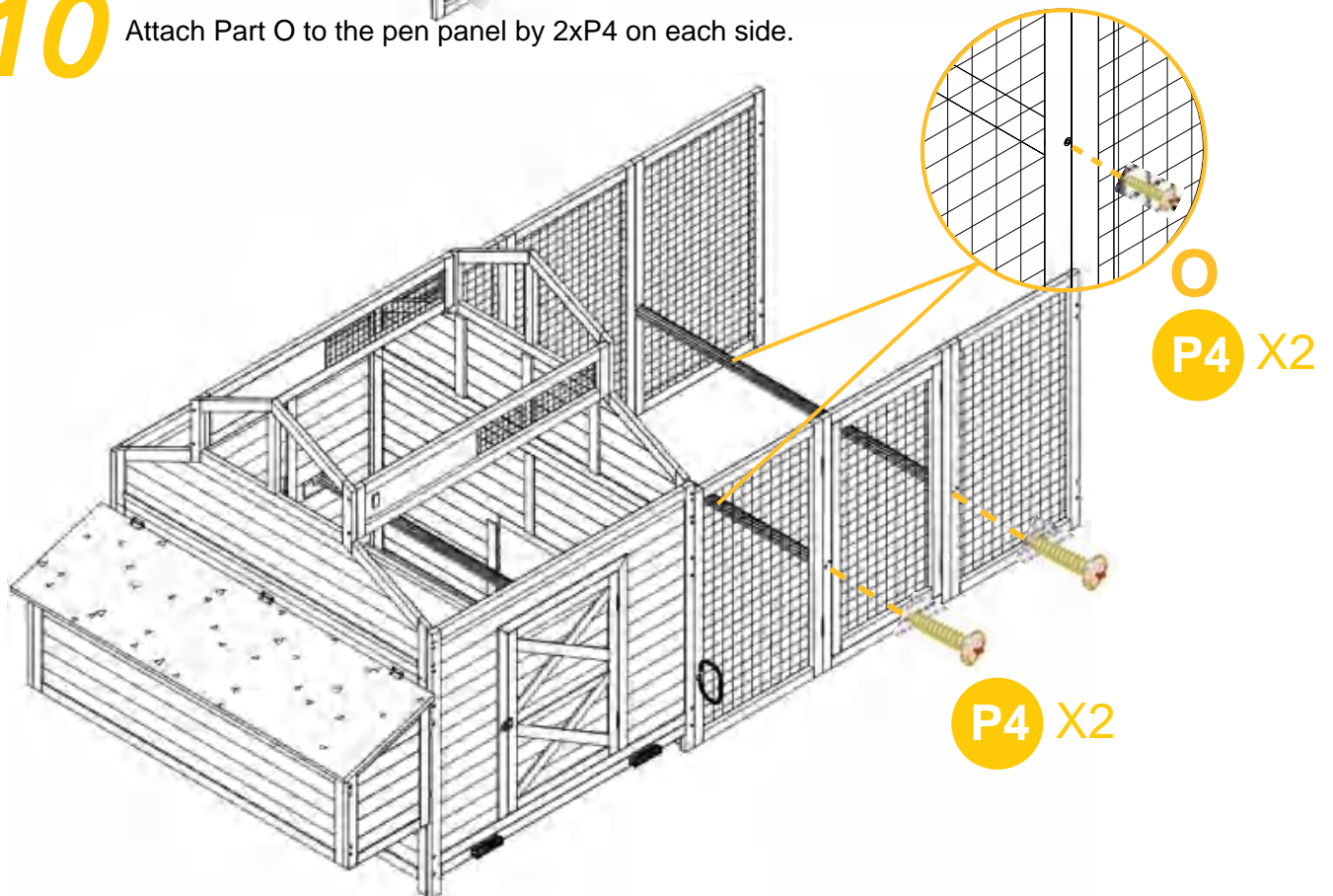


PRODUCT ASSEMBLY

09 Attach Part R & S to the coop by 6xP2 on each side.



10 Attach Part O to the pen panel by 2xP4 on each side.



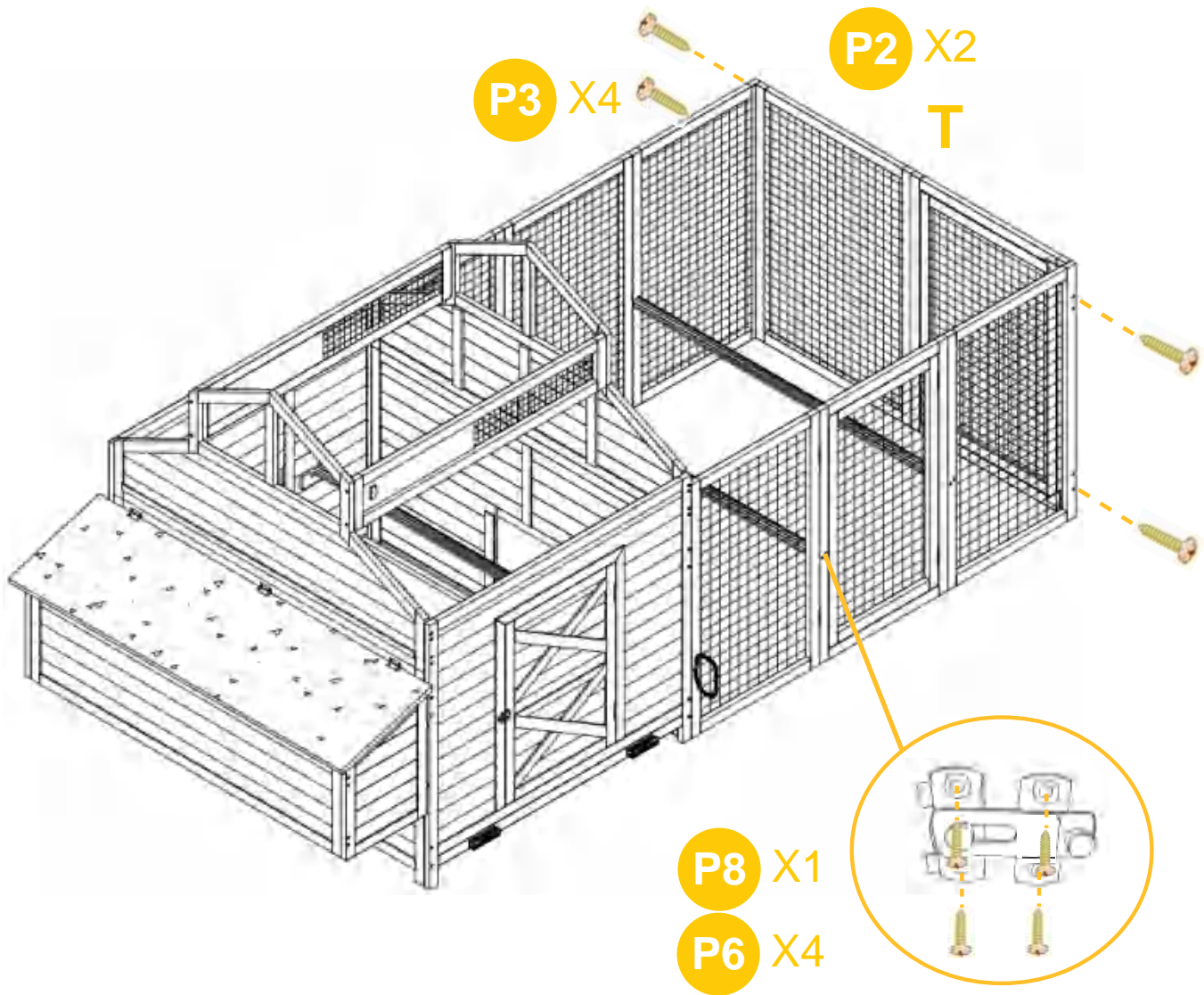
PRODUCT ASSEMBLY

11

Screw P8 to Part R by 4xP6.

Screw Part T by 2xP2.

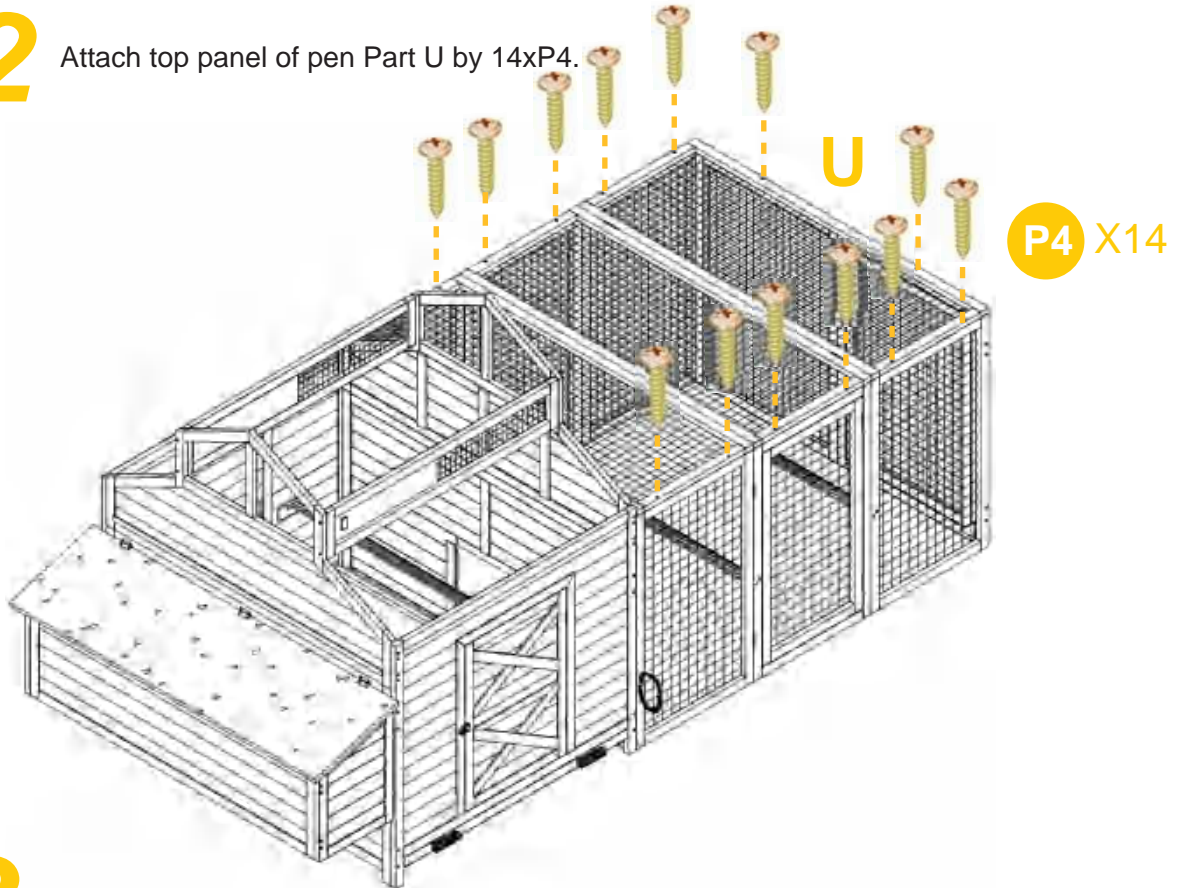
Attach Part T to Part R & S by 4xP3.



PRODUCT ASSEMBLY

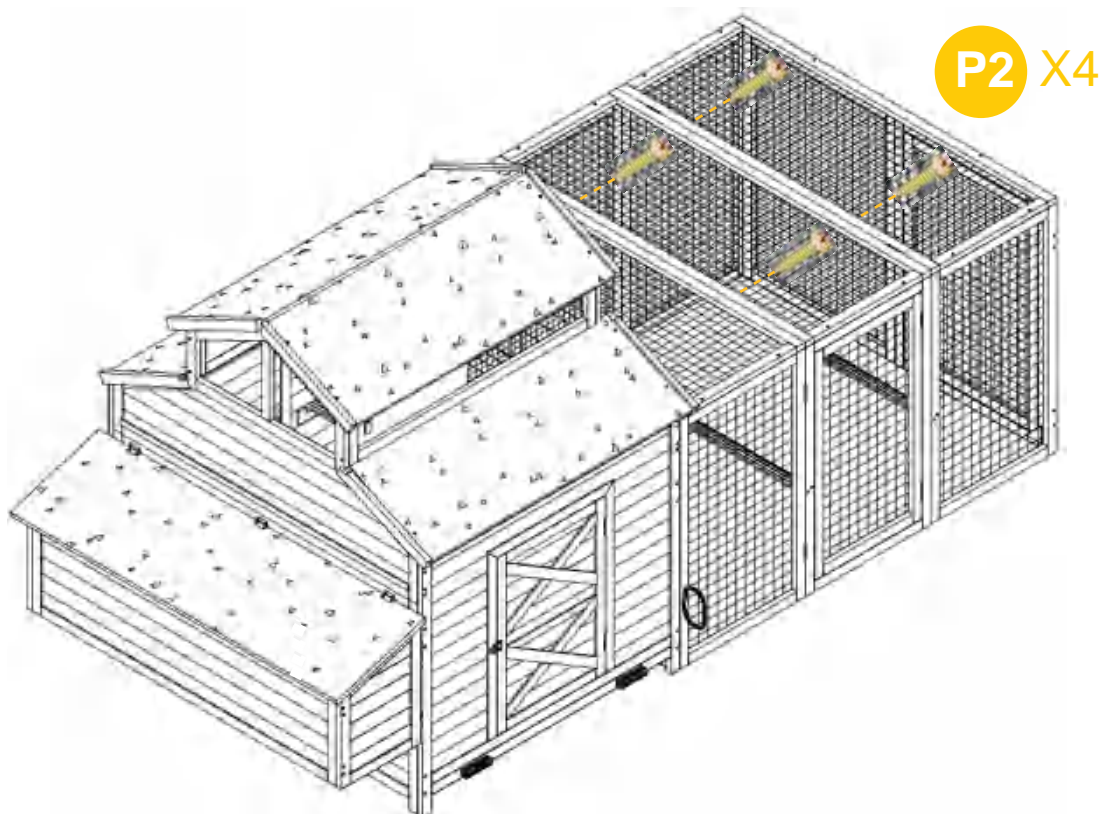
12

Attach top panel of pen Part U by 14xP4.



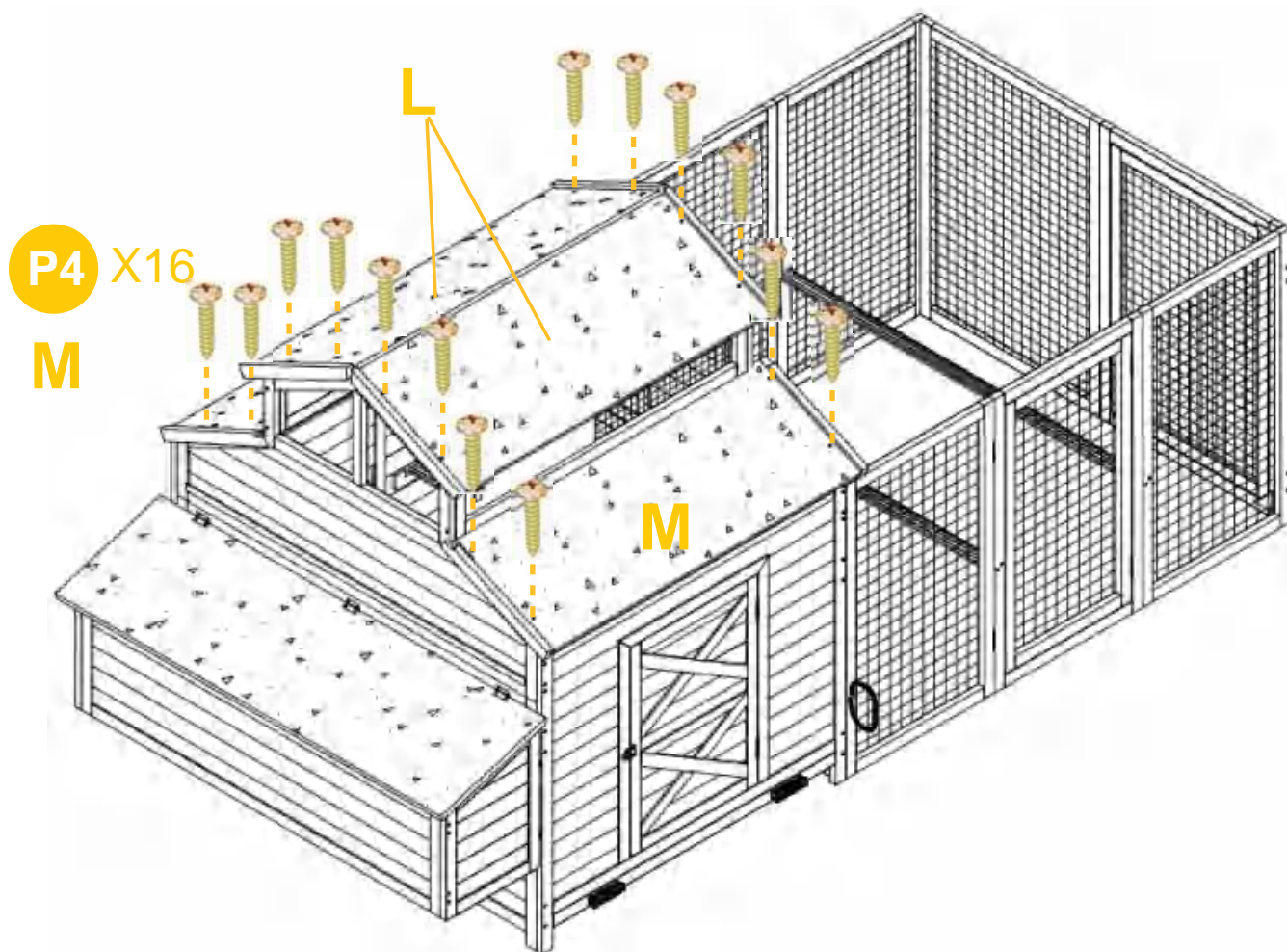
13

Screw the 4xP2 accordingly.



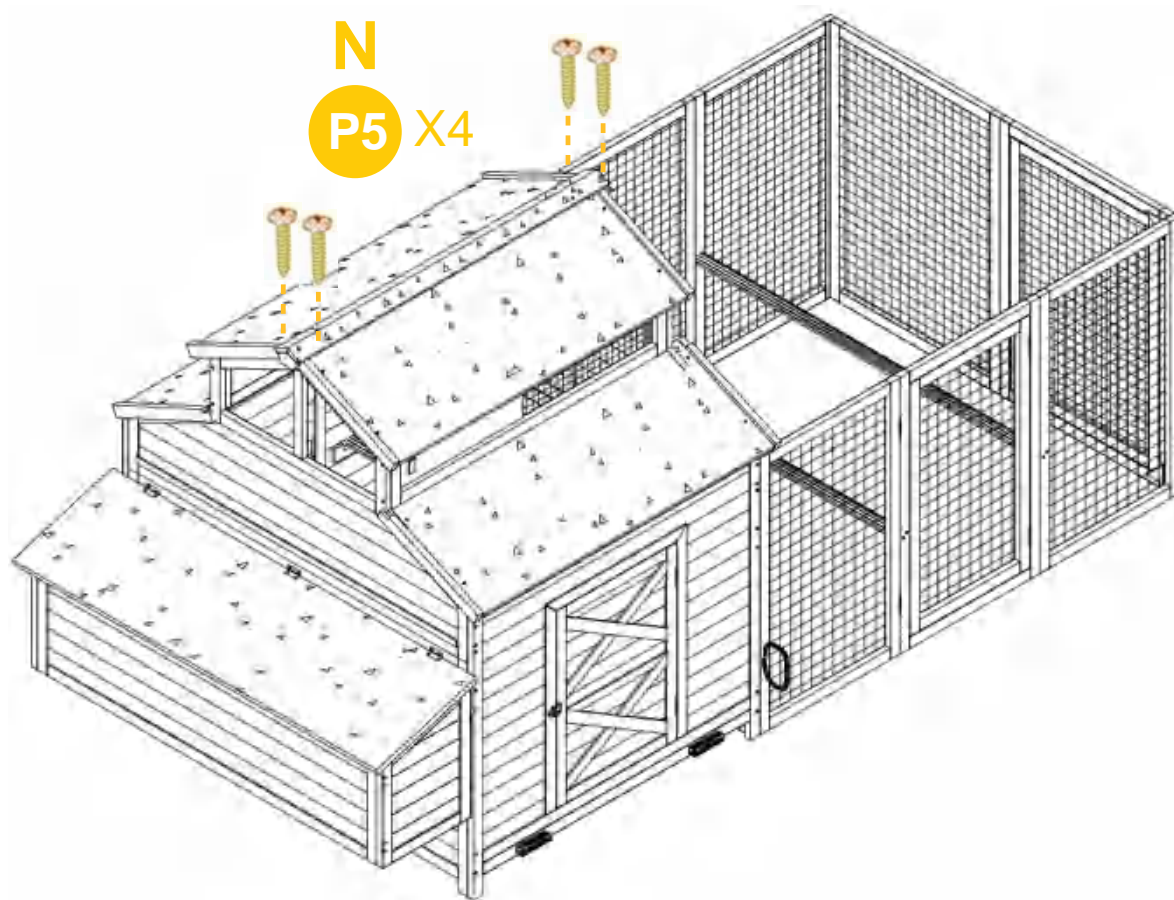
PRODUCT ASSEMBLY

14 Attach the roof Part L & M by 16xP4.



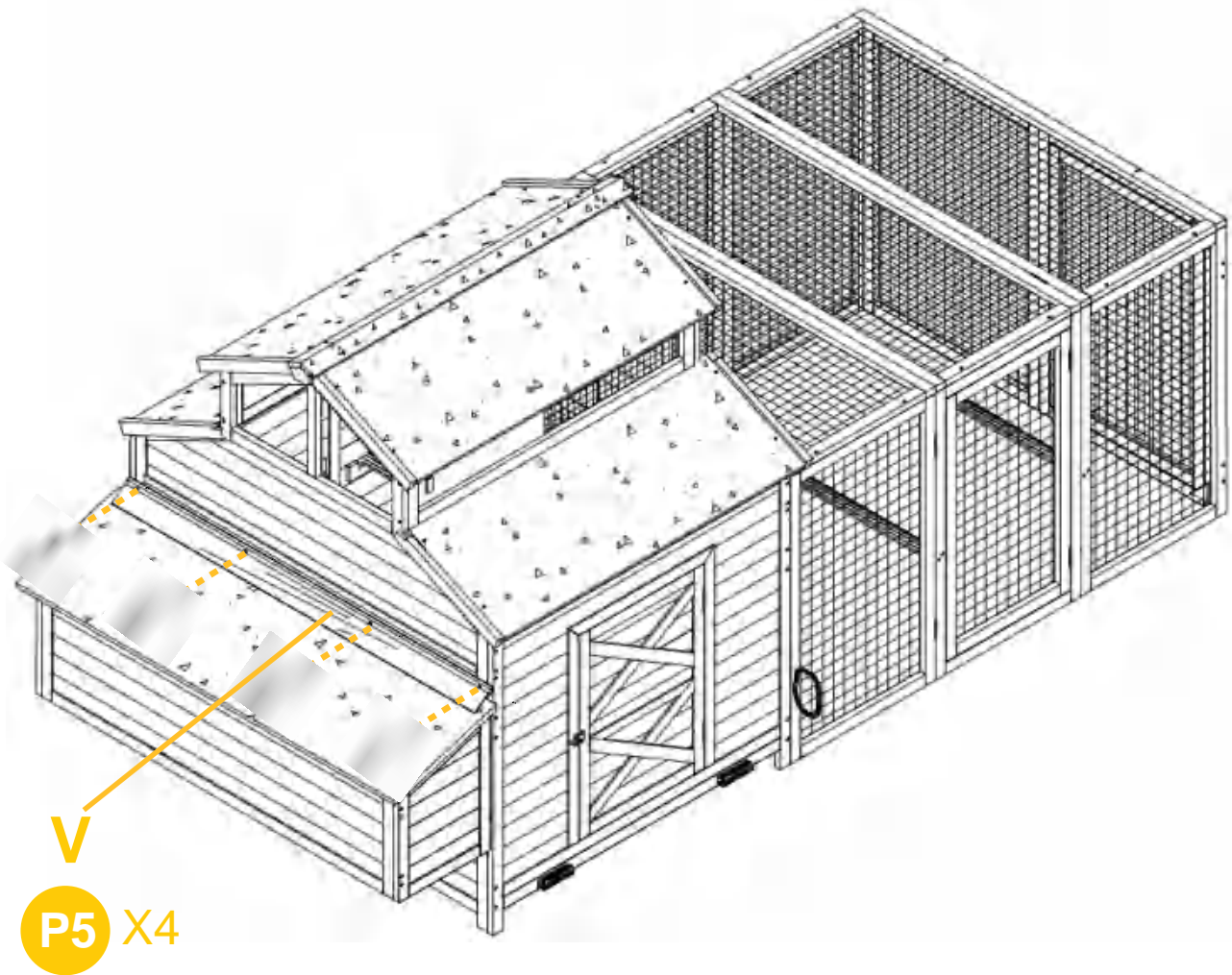
PRODUCT ASSEMBLY

15 Attach the roof cap Part N by 4xP5.



PRODUCT ASSEMBLY

16 Attach the Part V by 4 x p5 screws.





WARNING

Manufacturer and seller expressly disclaim any and all liability for personal injury, property damage or loss, whether direct, indirect, or incidental, resulting from the incorrect attachment, improper use, inadequate maintenance, or neglect of this