

Assembly instructions for:

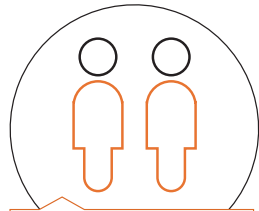
Six drawer dresser
BM327904

HEADS UP



50
Minutes

TIME



Pro Tip: Choose wisely.
Your sanity depends on it.

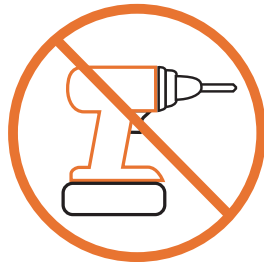
PEOPLE NEEDED



EFFORT SCALE
(you've got this)



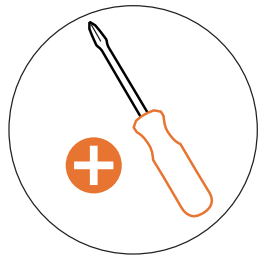
ANTI-TIP RESTRAINT



BUST OUT

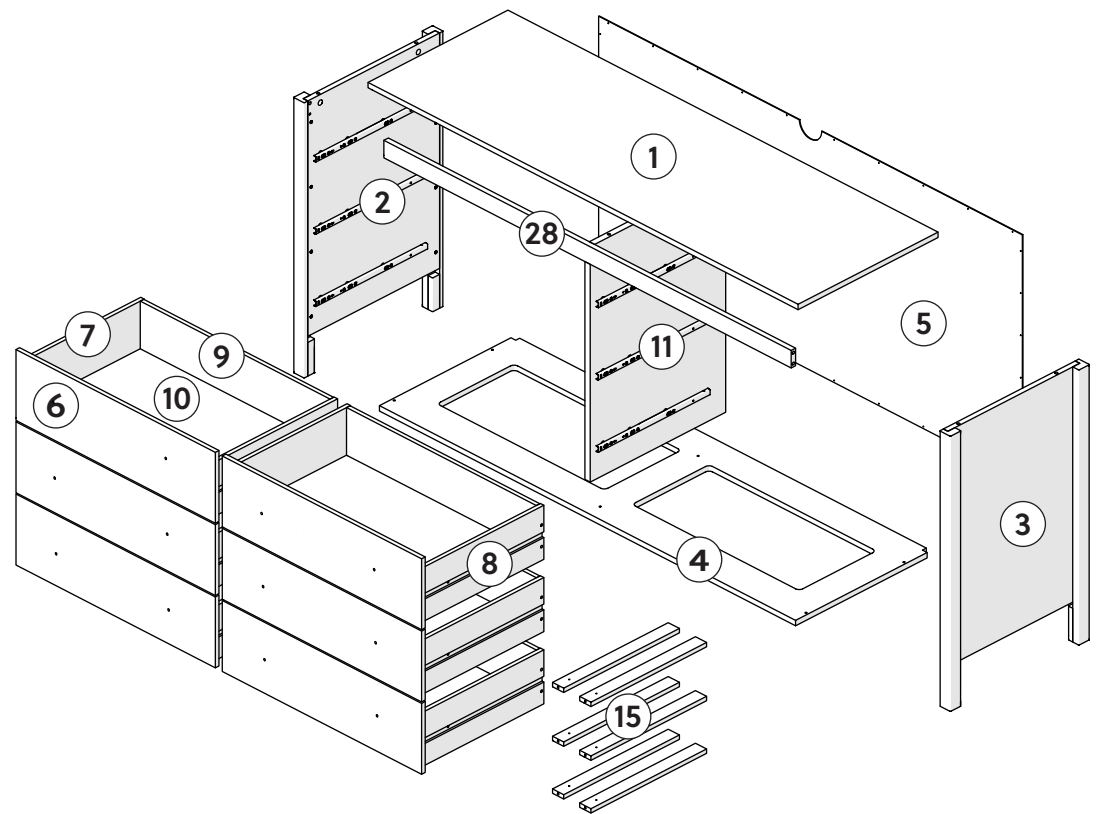


REQUIRED TOOL



REQUIRED TOOL

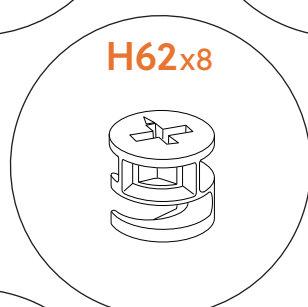
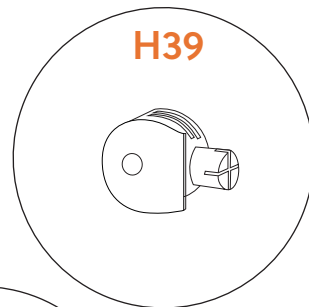
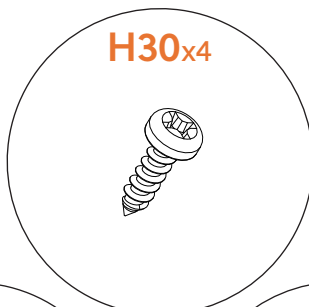
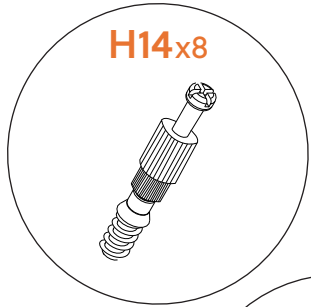
- ① TOP (1)
- ② LEFT SIDE (1)
- ③ RIGHT SIDE (1)
- ④ BOTTOM (1)
- ⑤ UNIT BACK (1)
- ⑥ DRAWER FRONT (6)
- ⑦ DRAWER LEFT SIDE (6)
- ⑧ DRAWER RIGHT SIDE (6)
- ⑨ DRAWER BACK (6)
- ⑩ DRAWER BOTTOM (6)
- ⑪ DIVIDER (1)
- ⑮ DRAWER SUPPORT (6)
- ⑳ FRONT RAIL (1)



COMPONENTS

HARDWARE

Pro Tip: Tear this page out to reference hardware throughout the instructions.

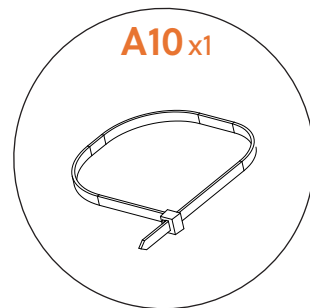
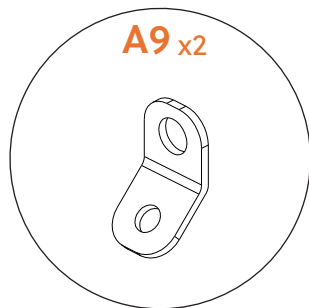
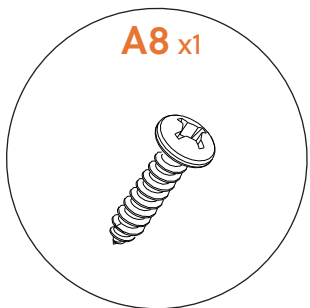


We pre-assembled these to the unit sides for you! You're welcome.

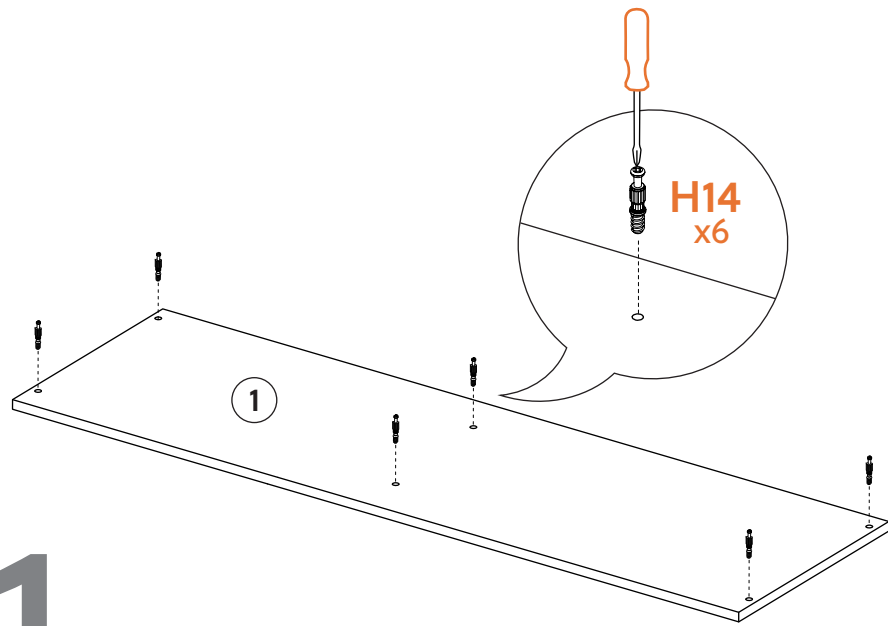


A11 Tip Kit Pack

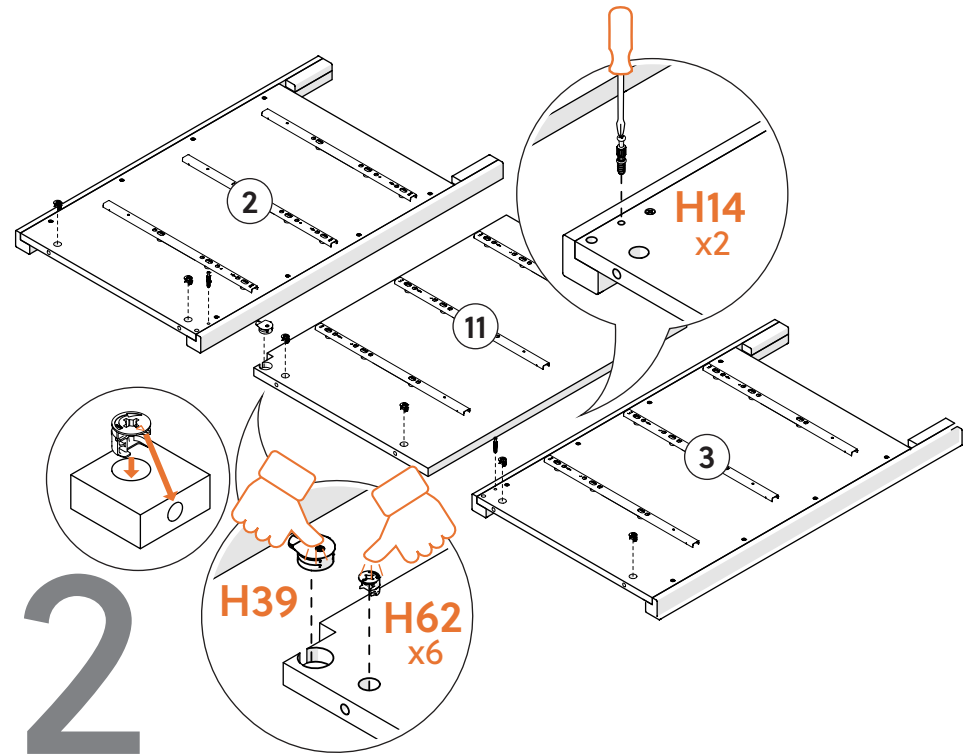
A11



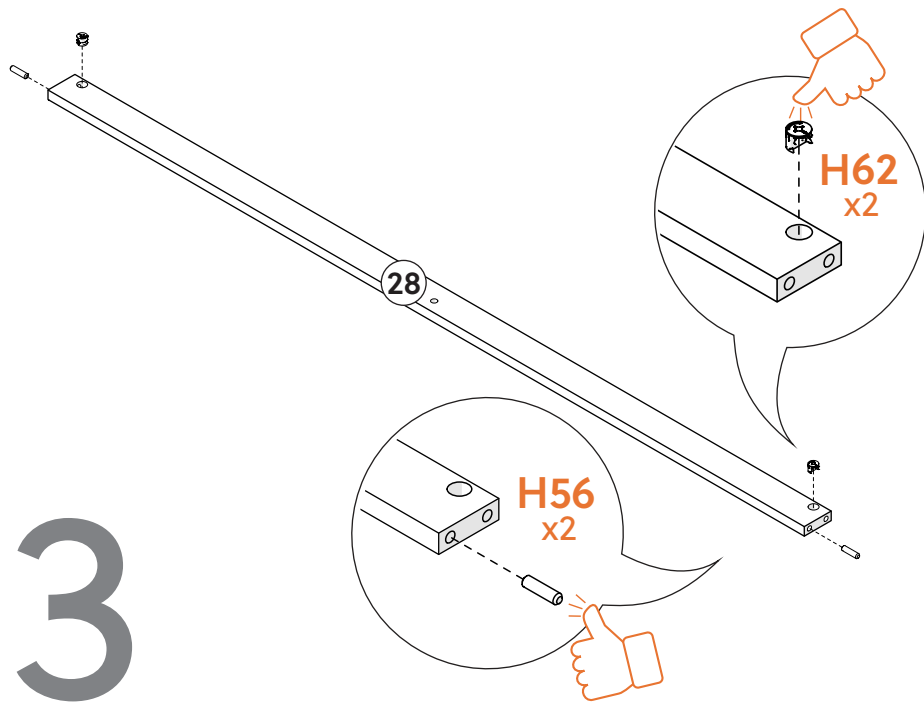
1



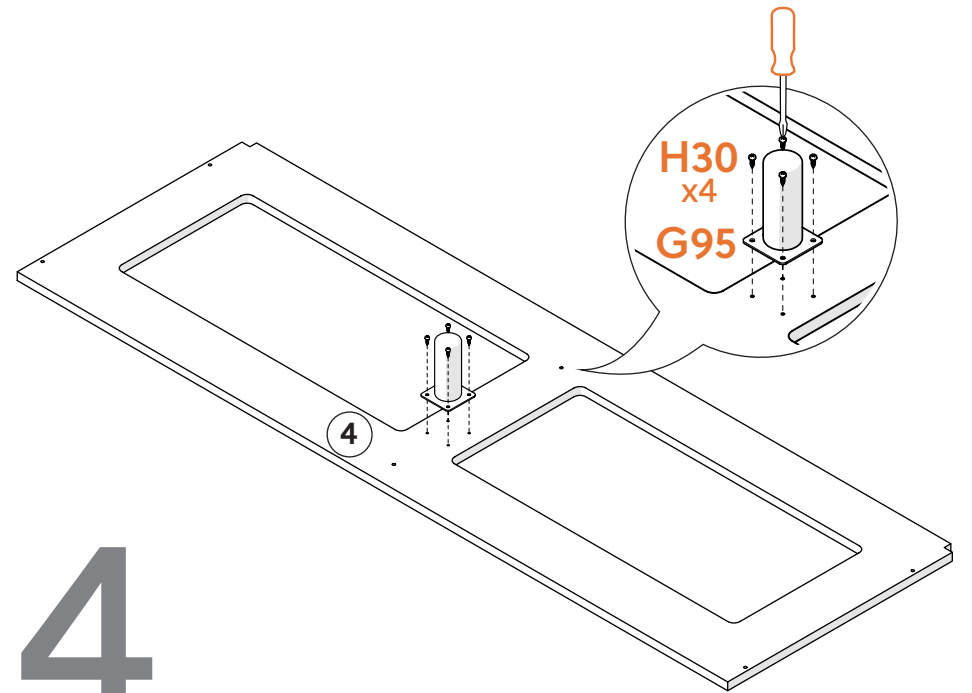
2

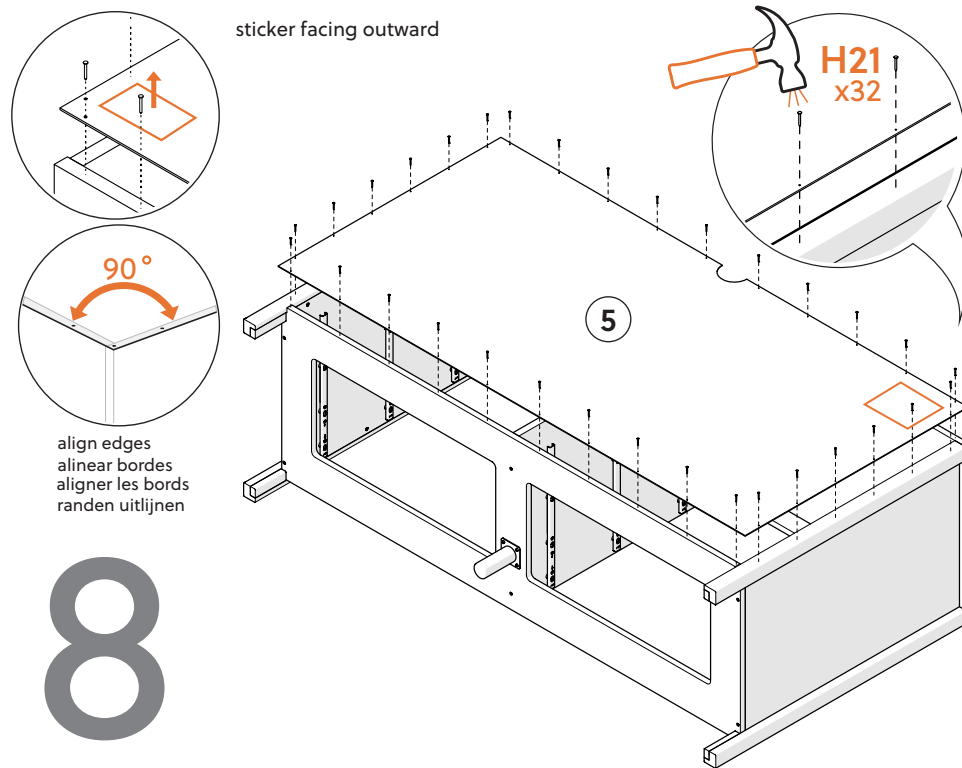
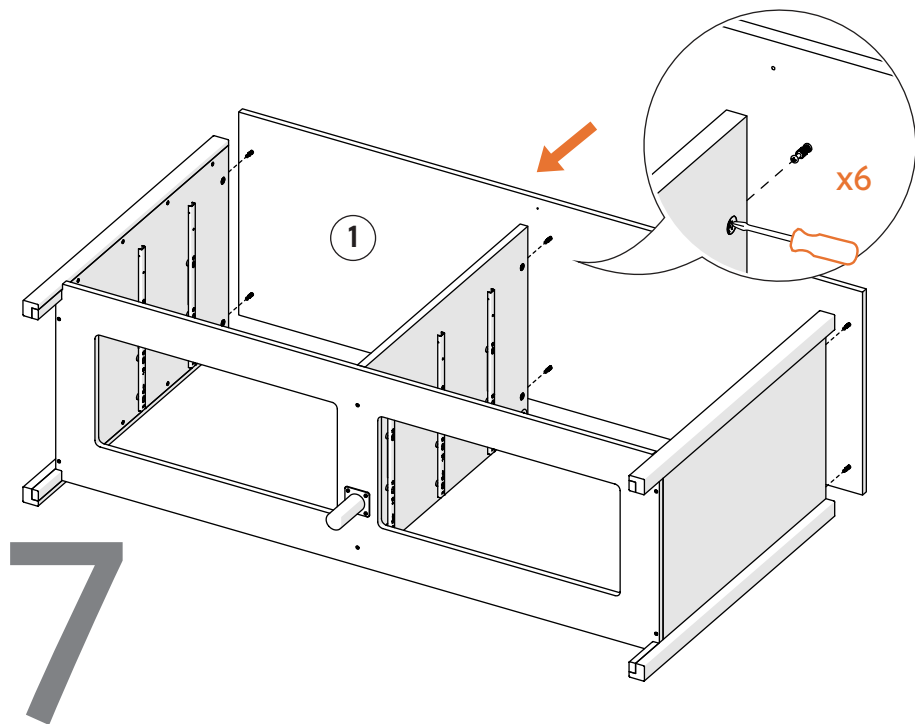
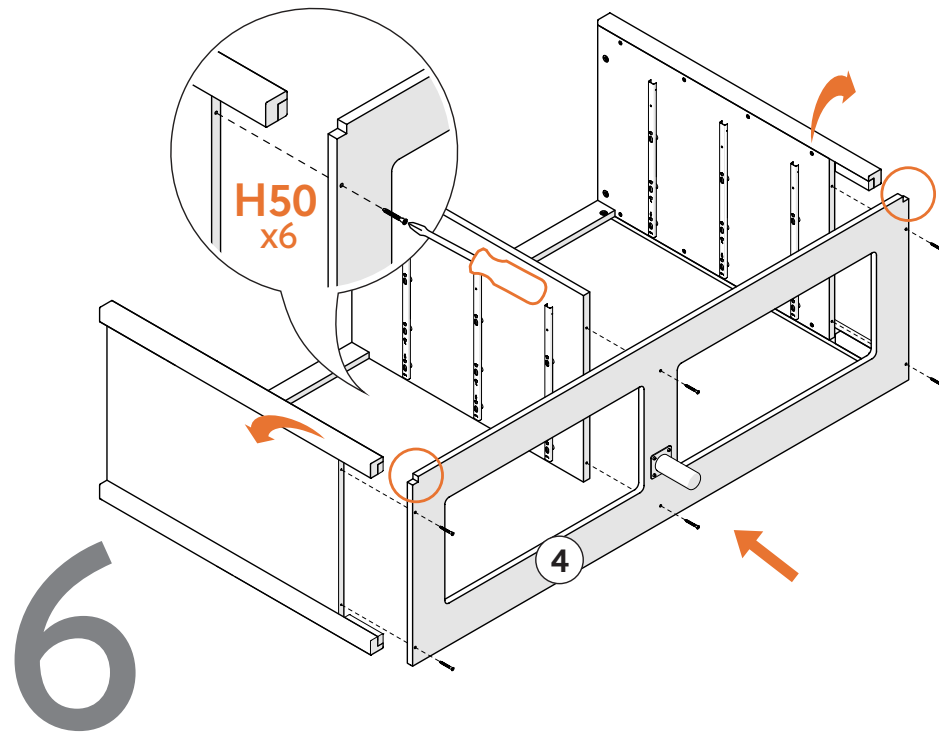
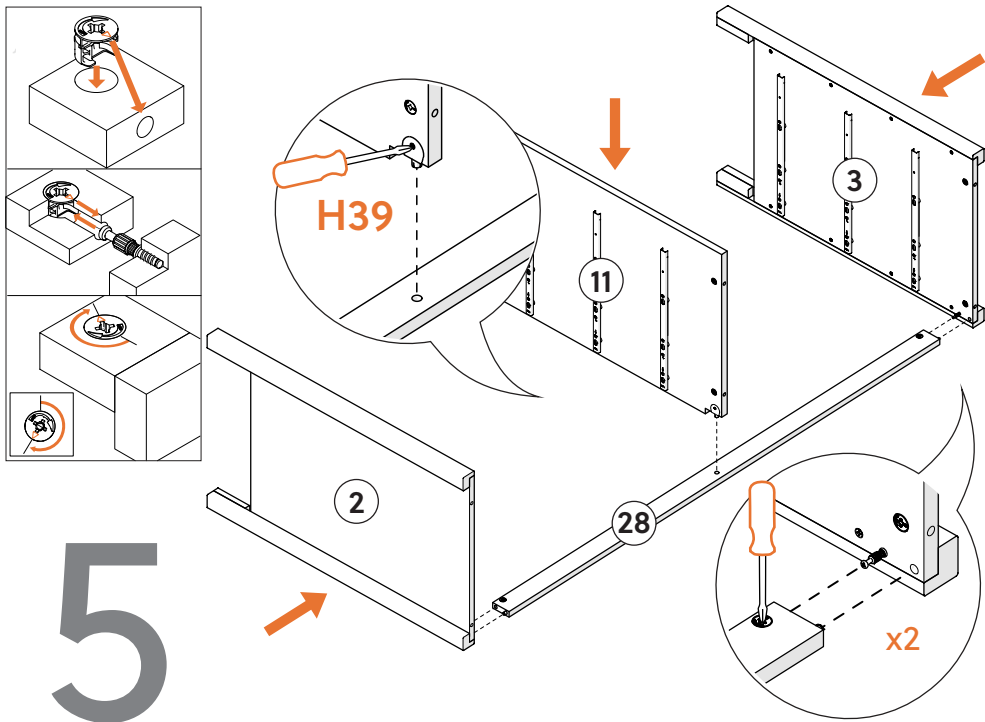


3



4

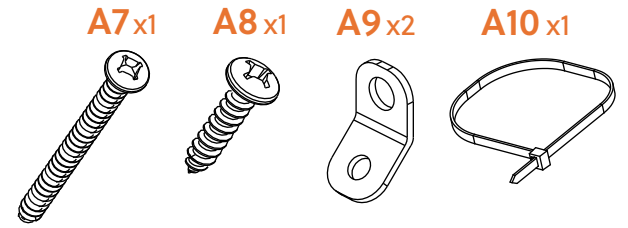




ANTI-TIP RESTRAINT INSTALLATION



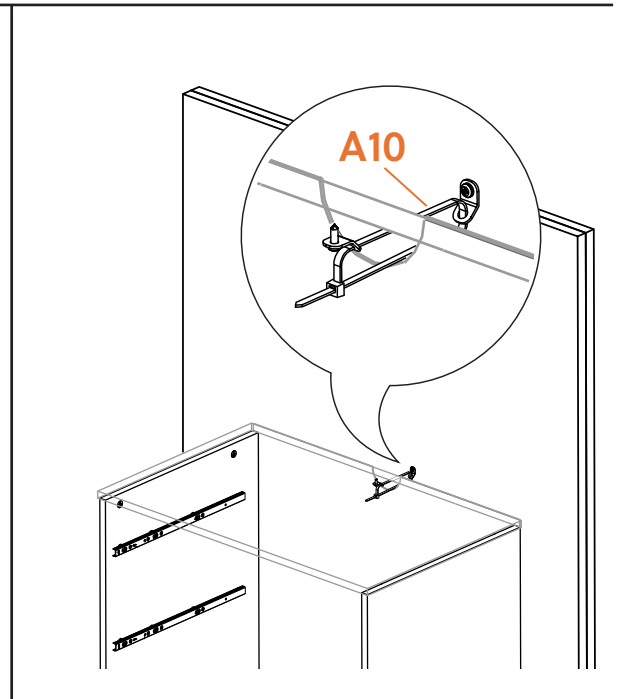
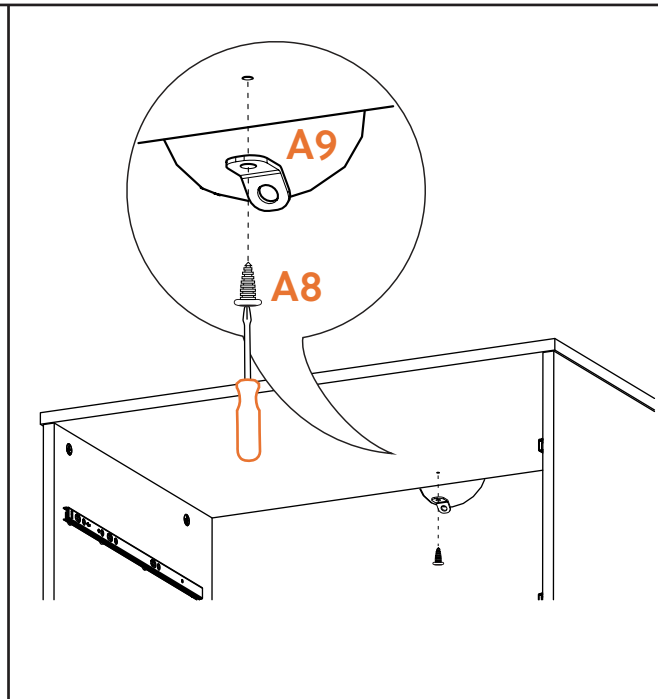
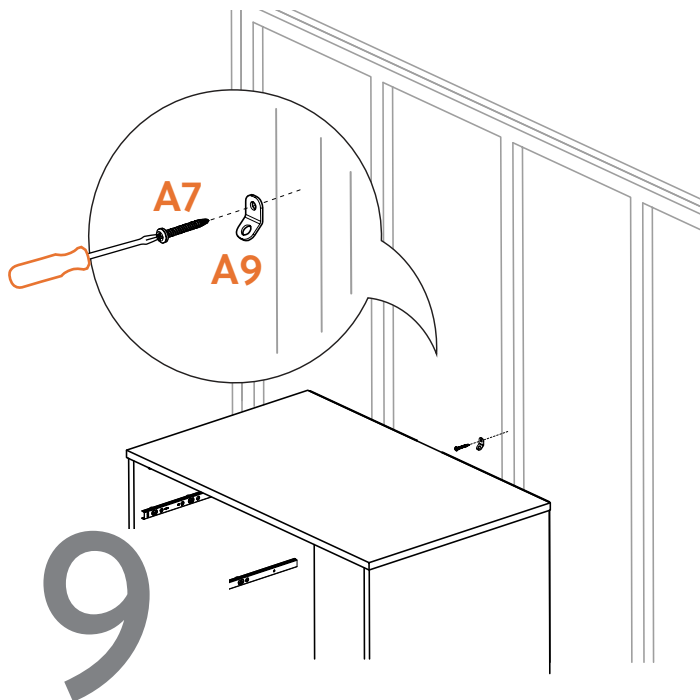
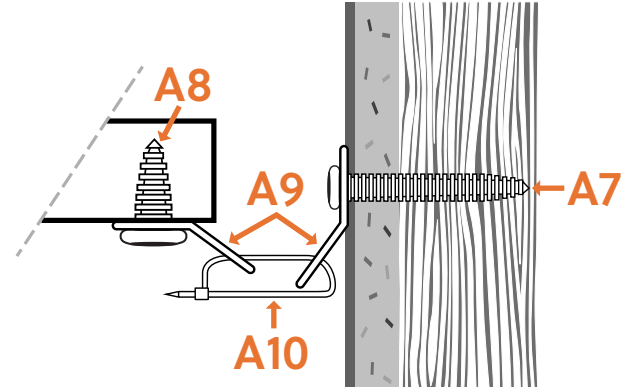
Locate stud in wall. Attach bracket (A9) to wall using the long screw (A7). Attach second bracket (A9) to the underside of the top (as shown below) with the small screw (A8). Insert zip tie (A10) through open holes of each bracket and slide into its end. Pull tight.

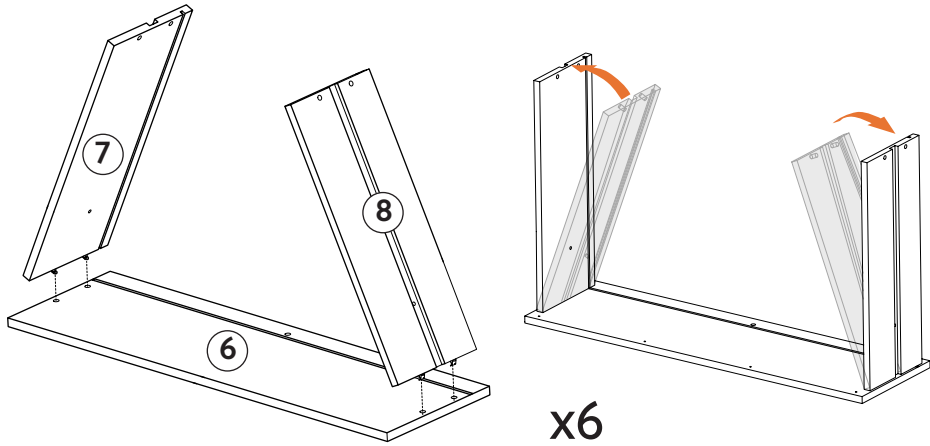


ANTI-TIP RESTRAINT

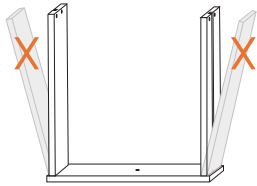


REQUIRED TOOL



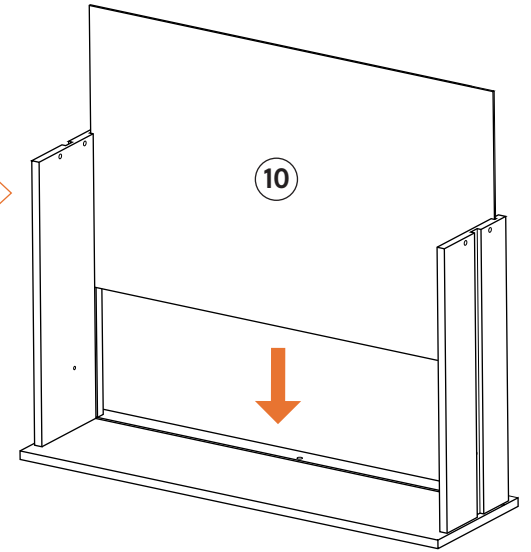


10



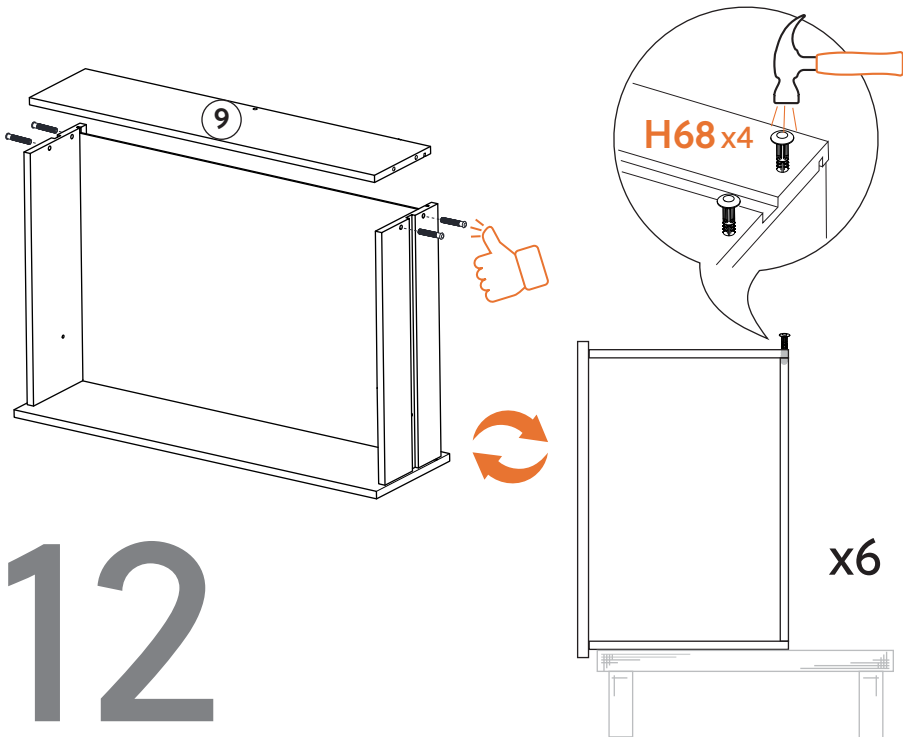
Do Not Overextend, risk of Damage!

Side Step: Getting hangry?
Try adding some nachos
to this step.



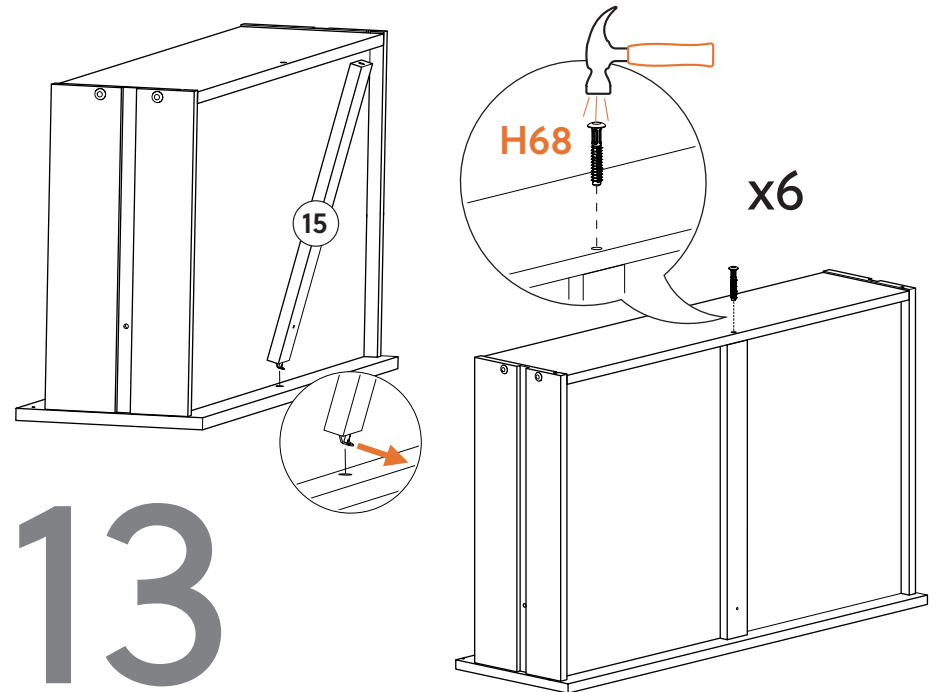
11

x6



12

x6



13

x6

