

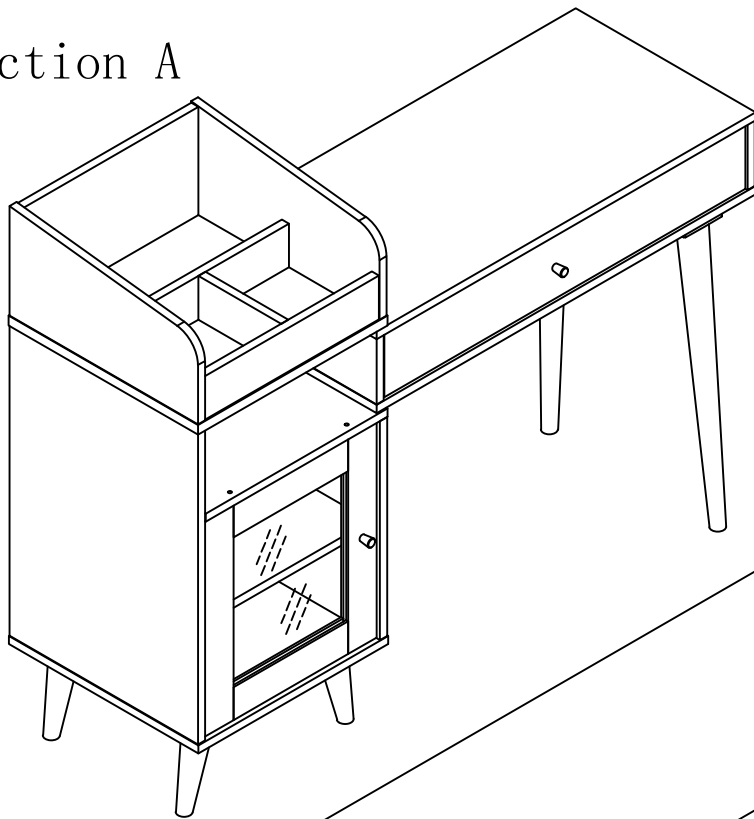
# Assembly Guide of Dressing Table B2015P

The side cabinet can be installed left and right.

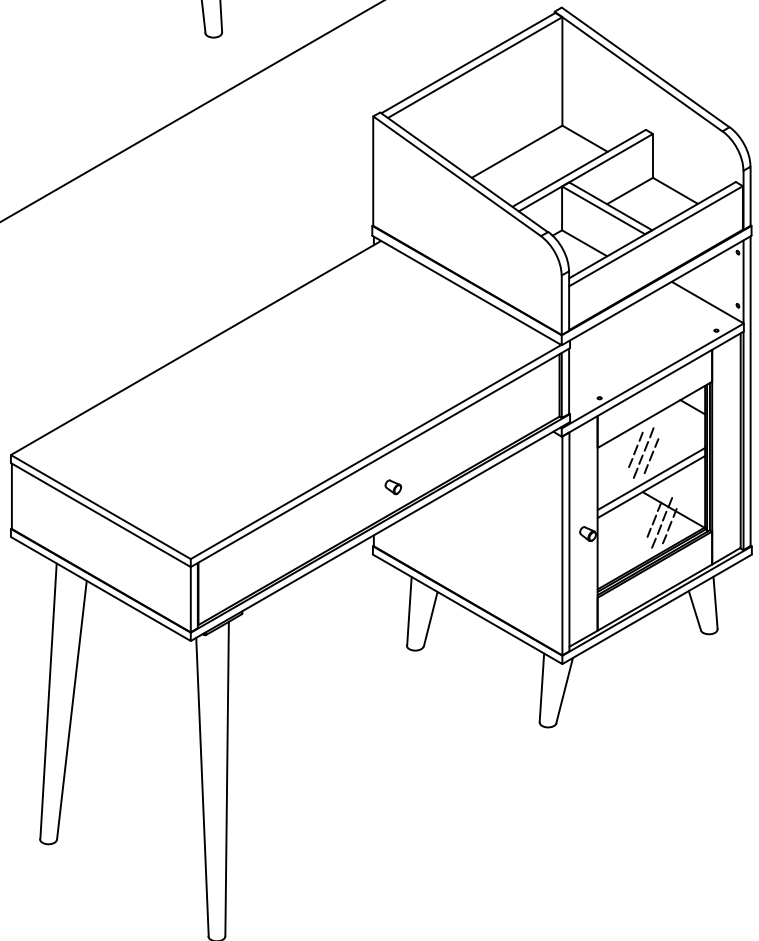
When install the side cabinet in the left, pls choose Direction A.

If Install the side cabinet in the right direction,  
choose Direction B.

Direction A

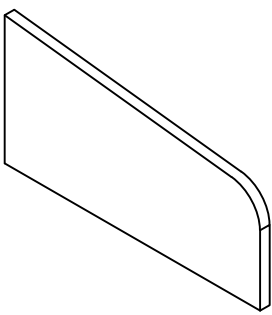
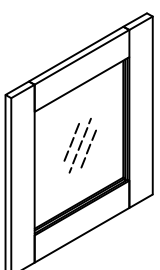
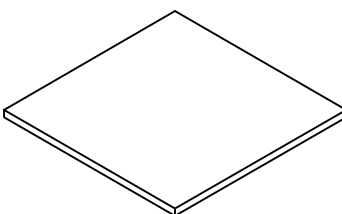
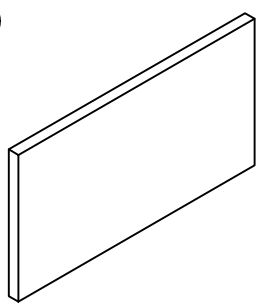
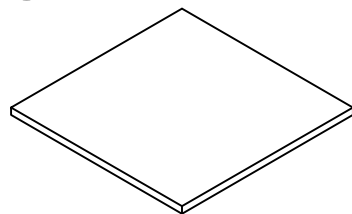
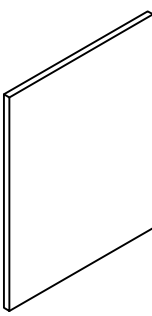
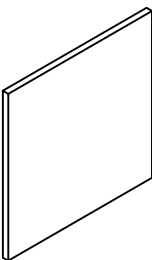
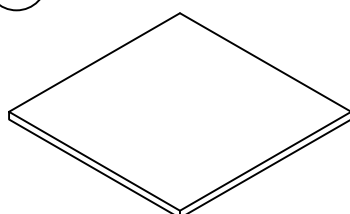
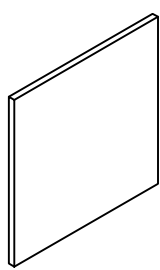
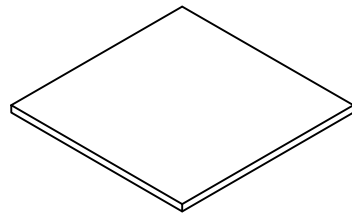
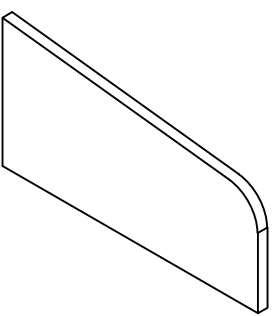
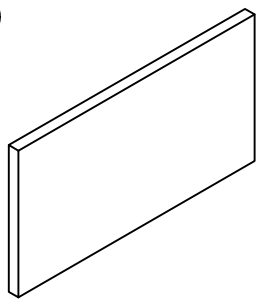
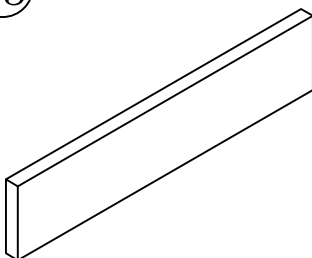
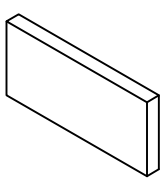
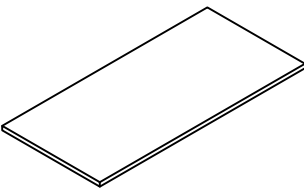
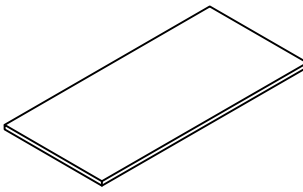
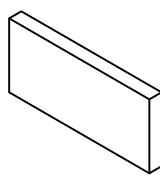
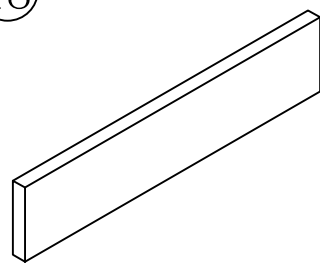
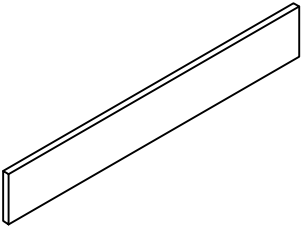
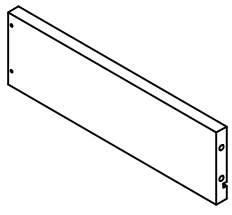


Direction B

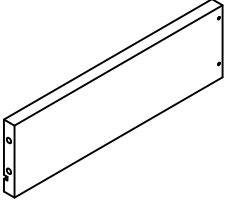
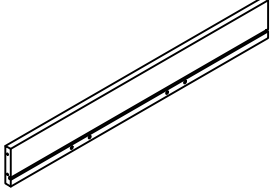
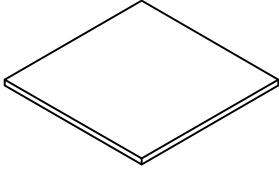
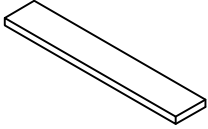
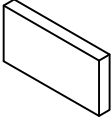
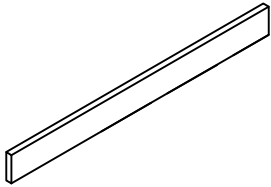
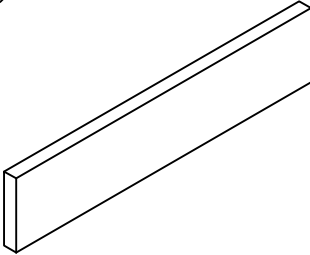
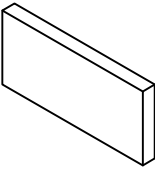


Tips: Do not throw away packing materials until assembly is complete for small parts may come loose inside the carton during shipment. If parts are missing, please contact us. Assemble this item on a soft surface, such as carpet to protect the finish.

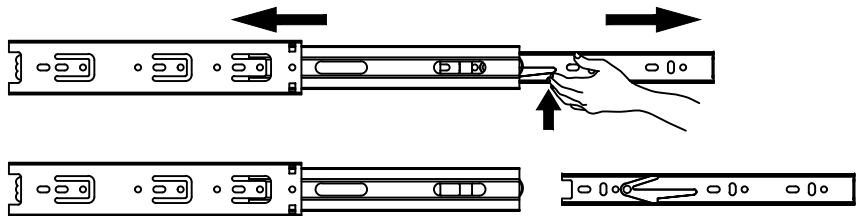
# PARTS LIST

<p>①</p> 	<p>②</p> 	<p>③</p> 	<p>④</p> 
<p>upper cabinet left side panel=1</p>	<p>side cabinet door panel=1</p>	<p>lower cabinet bottom panel=1</p>	<p>middle cabinet back panel=1</p>
<p>⑤</p> 	<p>⑥</p> 	<p>⑦</p> 	<p>⑧</p> 
<p>lower cabinet panel=1</p>	<p>lower cabinet tall side panel=1</p>	<p>lower cabinet inside side panel=1</p>	<p>lower cabinet laminate=1</p>
<p>⑨</p> 	<p>⑩</p> 	<p>⑪</p> 	<p>⑫</p> 
<p>lower cabinet back panel=1</p>	<p>upper cabinet bottom panel=1</p>	<p>upper cabinet right side panel=1</p>	<p>upper cabinet back panel=1</p>
<p>⑬</p> 	<p>⑭</p> 	<p>⑮</p> 	<p>⑯</p> 
<p>upper cabinet cross trim=1</p>	<p>upper cabinet vertical trim=1</p>	<p>top panel of dressing table=1</p>	<p>bottom panel of dressing table=1</p>
<p>⑰</p> 	<p>⑱</p> 	<p>⑲</p> 	<p>⑳</p> 
<p>right side panel of dressing table=1</p>	<p>back panel of dressing table=1</p>	<p>drawer panel of dressing table=1</p>	<p>drawer left side panel of table=1</p>

# PARTS LIST

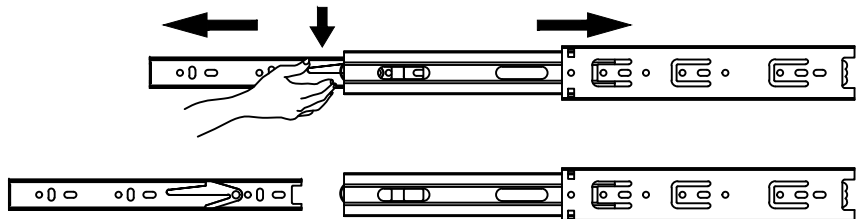
<p>21</p> 	<p>22</p> 	<p>23</p> 	<p>24</p> 
<p>25</p> 	<p>26</p> 	<p>27</p> 	<p>28</p> 
<p>drawer right side panel of table=1</p>	<p>drawer back panel of table=1</p>	<p>drawer bottom panel=1</p>	<p>drawer bottom brace of table=2</p>
<p>vertical decoration trim of table=3</p>	<p>cross decoration trim of table=1</p>	<p>upper cabinet cross trim=1</p>	<p>left side panel of dressing table=1</p>

left

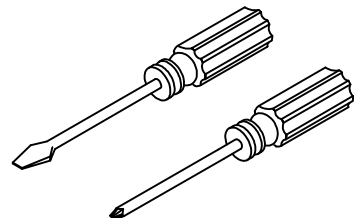


Steps and methods for disassembling guide rails

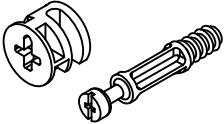
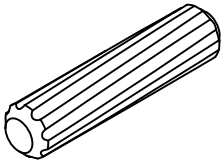
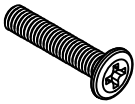
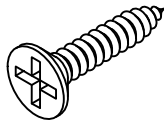
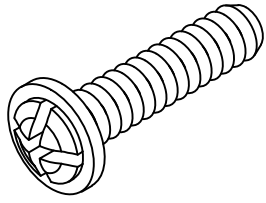
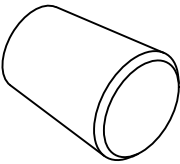
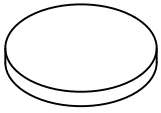

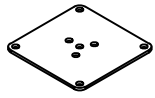
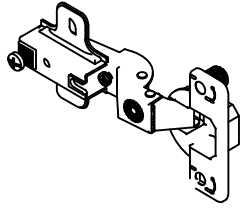
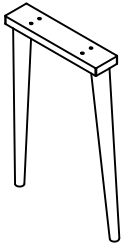

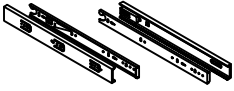



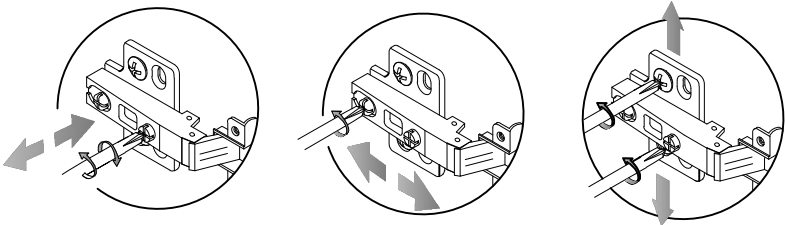
right

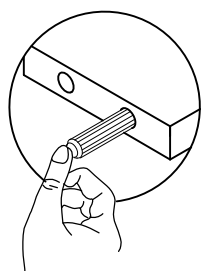


Phillips head screw driver required for assemble---not include

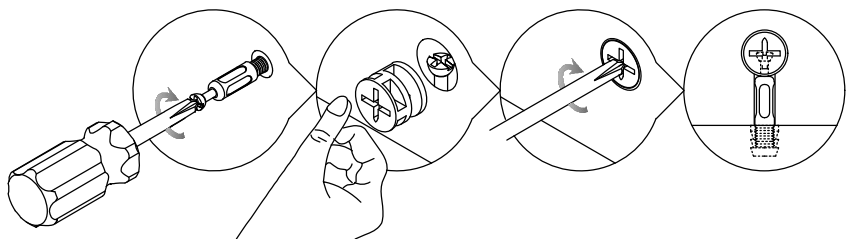


# HARDWARE LIST

<p><b>(A)</b></p> 	<p><b>(B)</b></p> 	<p><b>(C)</b></p> 	<p><b>(D)</b></p> 	<p><b>(E)</b></p> 
<p>3 in 1 camlocks and rods=68</p>	<p>8*30 wood dowels=10</p>	<p>6*40 big flat screws=4</p>	<p>3.5*14 self-tapping screws=60</p>	<p>4*18 handle screws=2</p>
<p><b>(F)</b></p> 	<p><b>(G)</b></p> 	<p><b>(H)</b></p> 	<p><b>(I)</b></p> 	<p><b>(J)</b></p> 
<p>copper handles=2</p>	<p>black pads=4</p>	<p>short solid wood legs=4</p>	<p>70*70 iron sheets=4</p>	<p>large curved door hinge=2</p>
<p><b>(K)</b></p> 	<p><b>(L)</b></p> 	<p><b>(M)</b></p> 	<p><b>(N)</b></p> 	<p><b>(O)</b></p> 
<p>long solid wood legs=1</p>	<p>3.5*40 self-tapping screws=4</p>	<p>12 inches guide rails =1</p>	<p>hole stickers=20</p>	<p>studs=10</p>
<p><b>(P)</b></p> 	 <p style="text-align: center;">Part (J) installation schematic process</p>			
<p>4*20 self-tapping screws=16</p>				

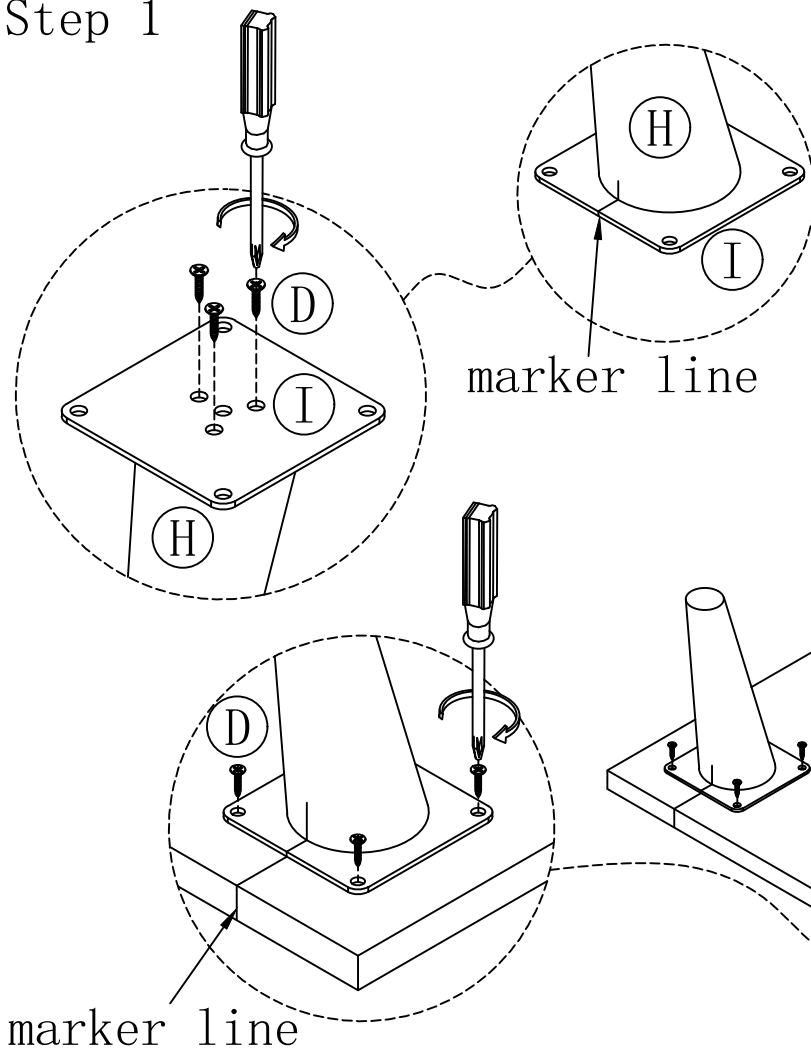


Part (B) installation schematic process



Part (A) installation schematic process

## Step 1



$D=28$ ,  $H=4$ ,  $I=4$

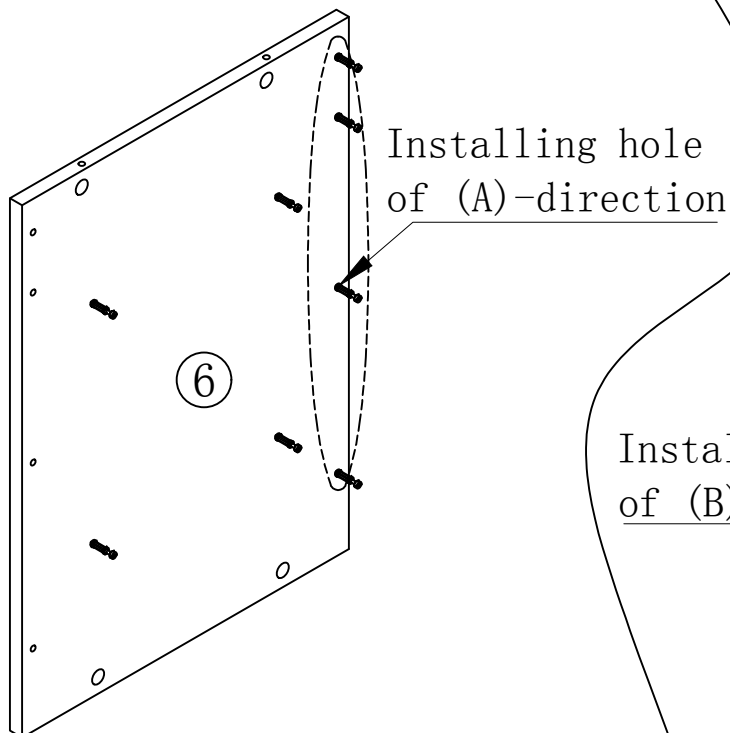
1. Align the marks of (H) and (I), and then fix (I) to (H) with (D).

2. Install the hole on (I) on the guide hole of ③, and then fix it with (D).

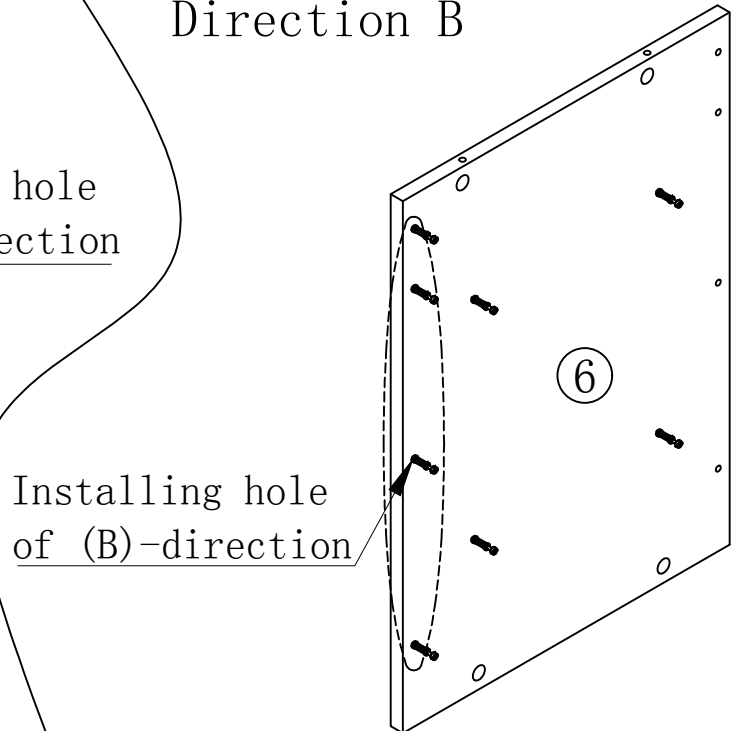
## Step 2

Note: Pay attention to choose the directions of (A) and (B), when installing ⑥.

Direction A



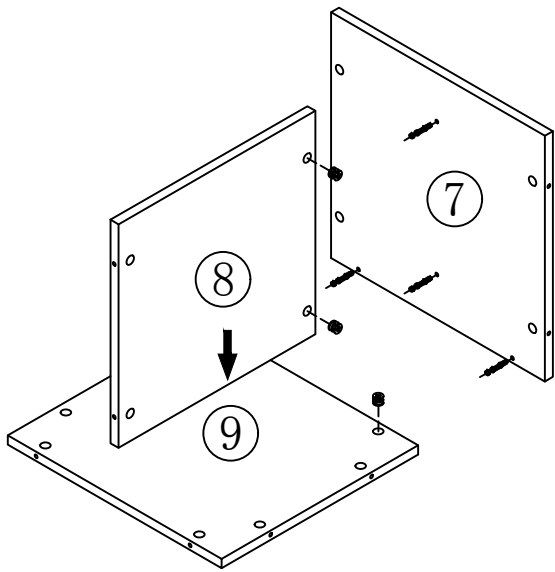
Direction B



Step 3

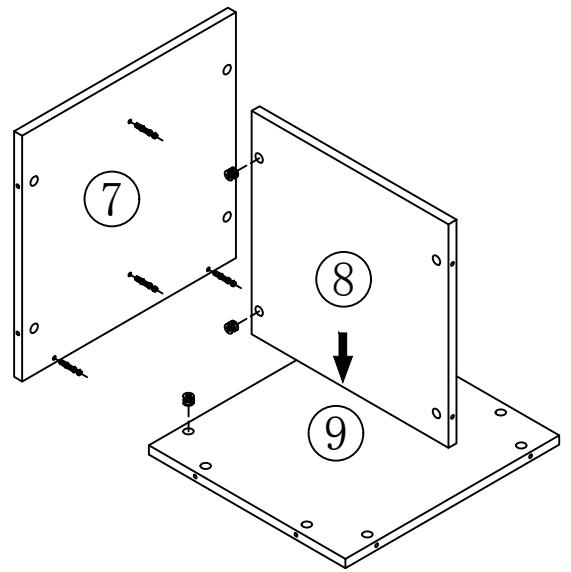
Note: Pay attention to the direction of the arrow when installing ⑧.

Direction A



Connect ⑦⑧⑨  
with 4 pcs (A)

Direction B

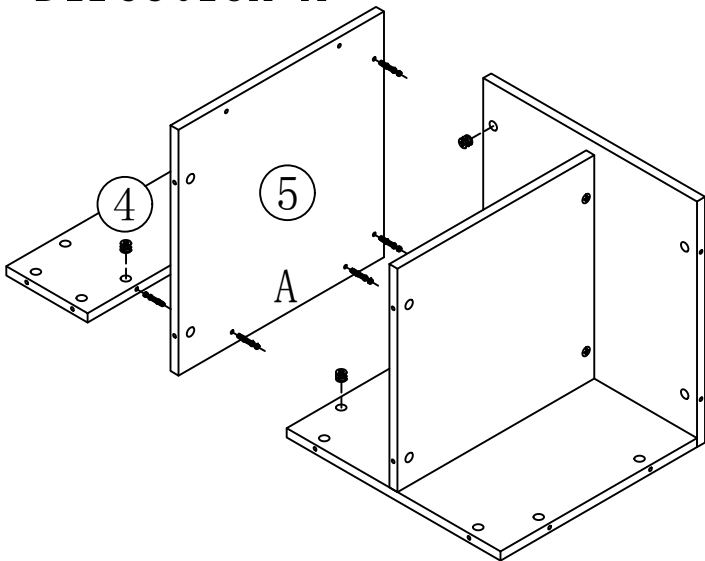


Connect ⑦⑧⑨  
with 4 pcs (A)

Step 4

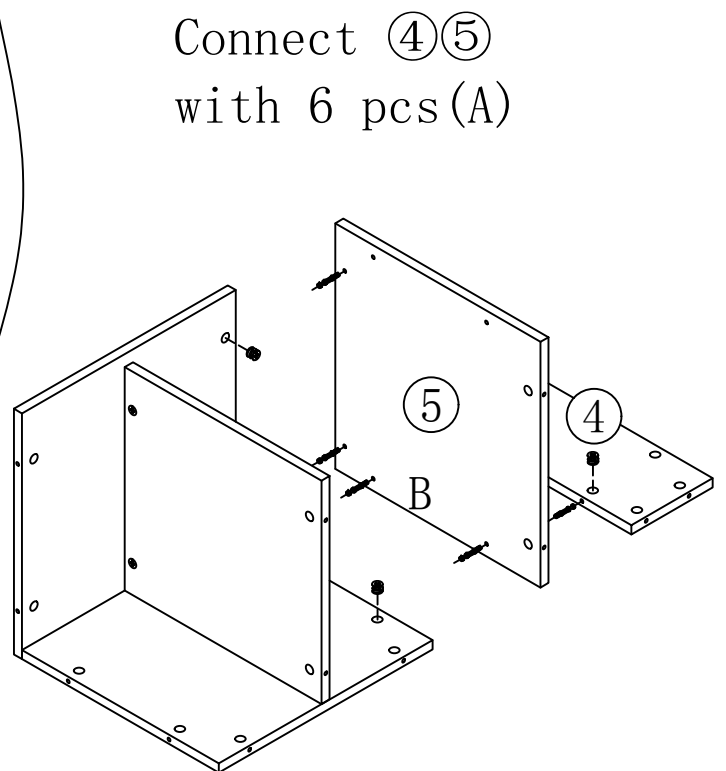
Note: Pay attention to choose the directions of (A) and (B) when installing ④⑤.

Direction A



Connect ④⑤  
with 6 pcs (A)

Direction B

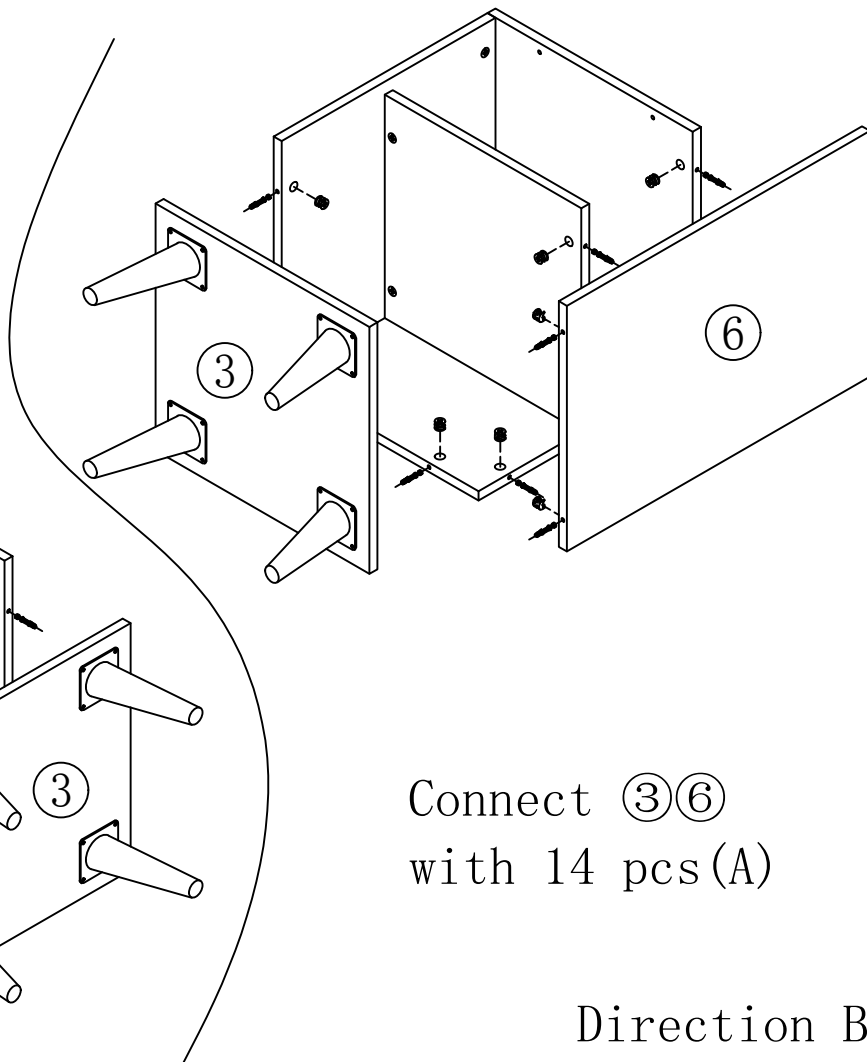
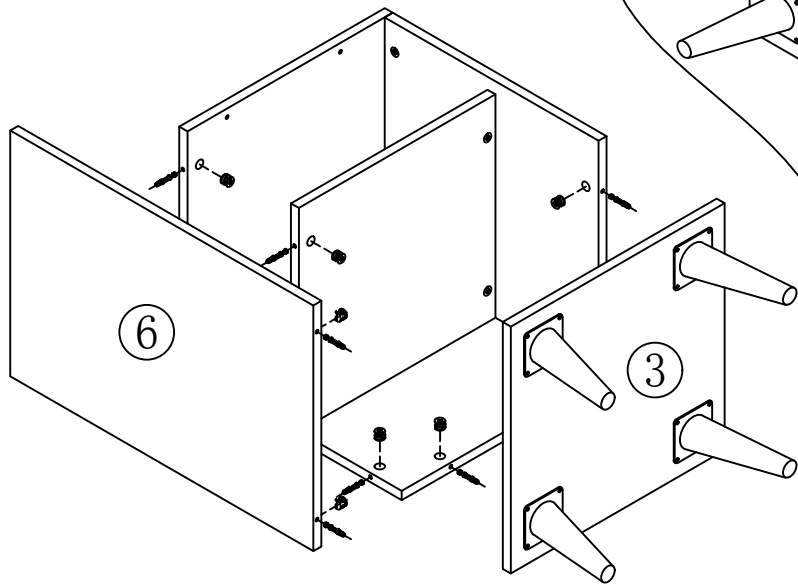


Connect ④⑤  
with 6 pcs (A)

# Step 5

Direction A

Connect ③⑥  
with 14 pcs(A)

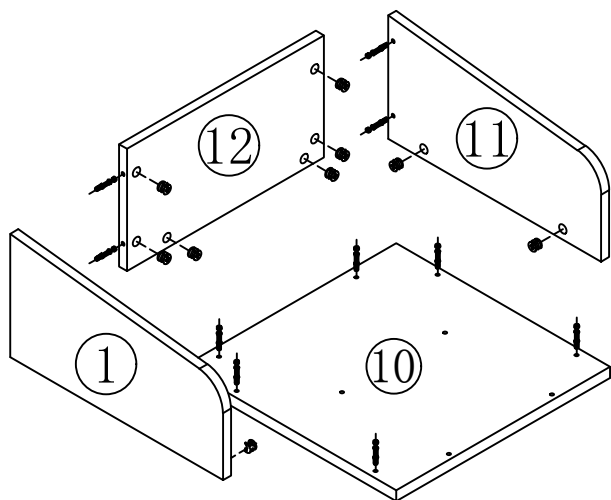
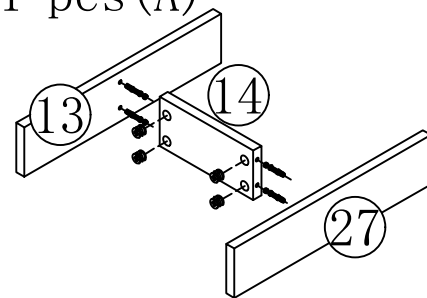


Connect ③⑥  
with 14 pcs(A)

Direction B

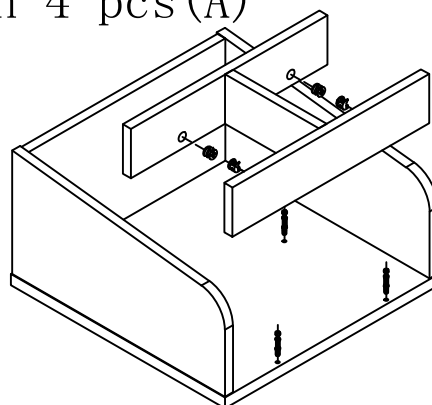
# Step 6

Connect ⑬⑭⑳  
with 4 pcs(A)

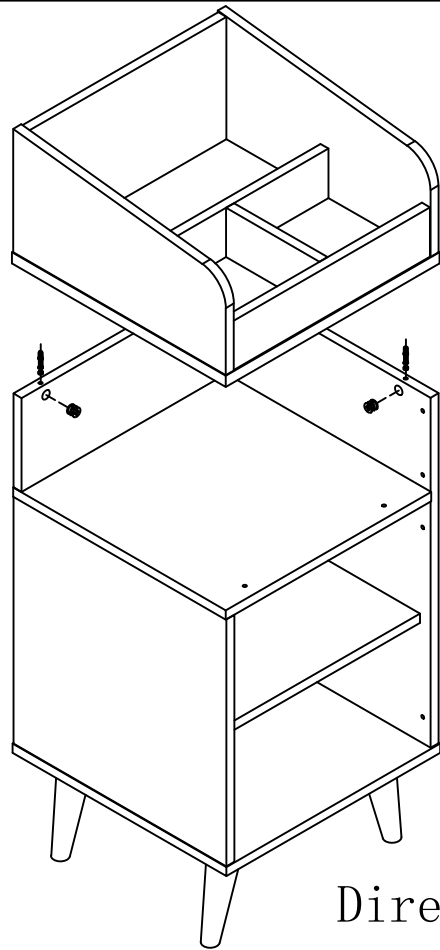
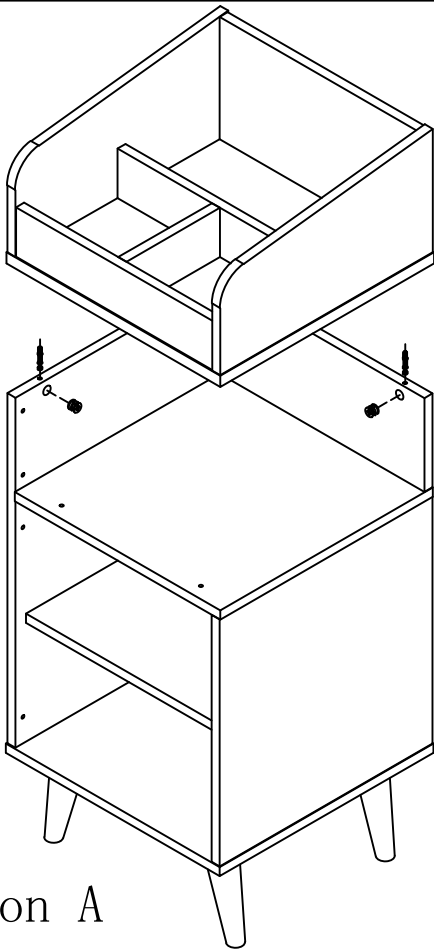


Connect ①⑩⑪⑫  
with 10 pcs(A)

Connect ①⑩⑪⑫⑬⑭⑳  
with 4 pcs(A)



Step 7

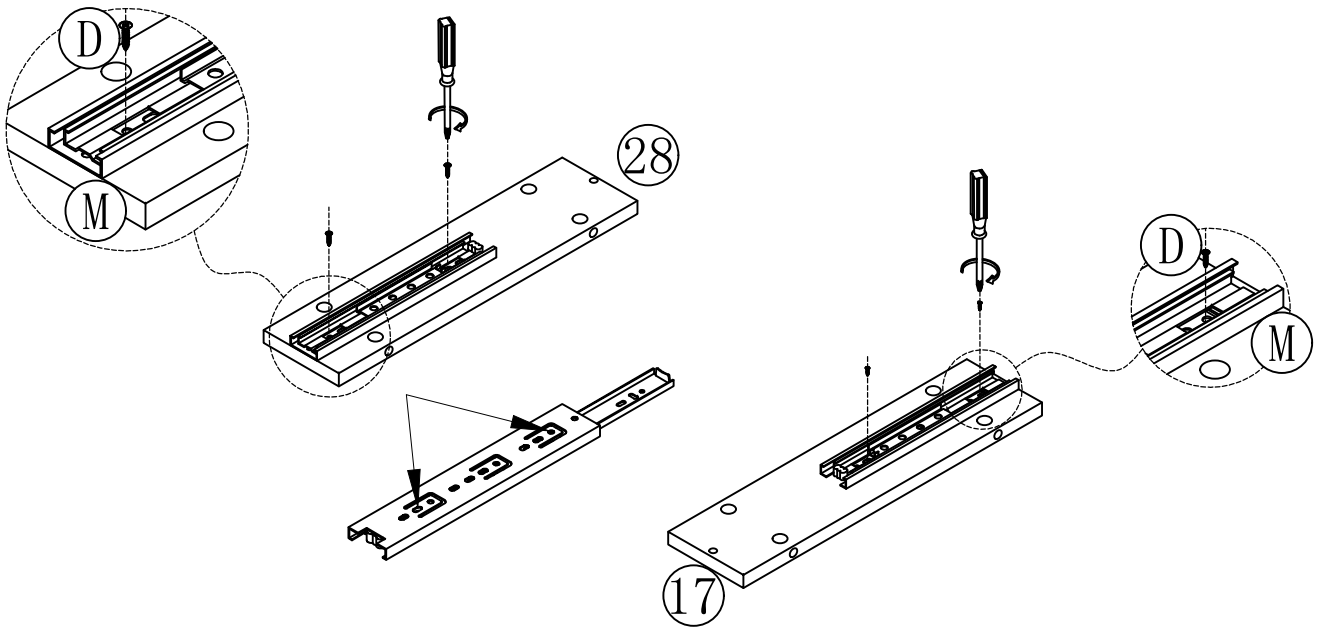


Direction A

Direction B

Connect the upper and lower cabinet with 4 pcs(A)

Step 8

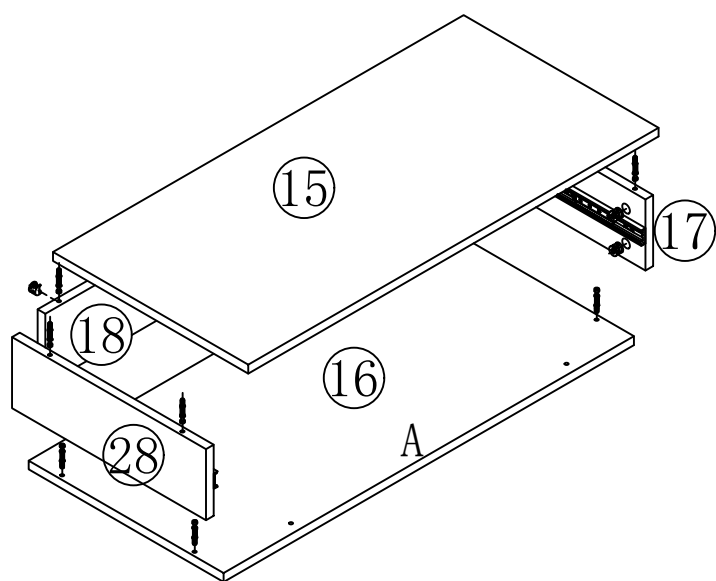


Use 4 pcs(D) and 1 pcs(M)  
to connect 28 and 17

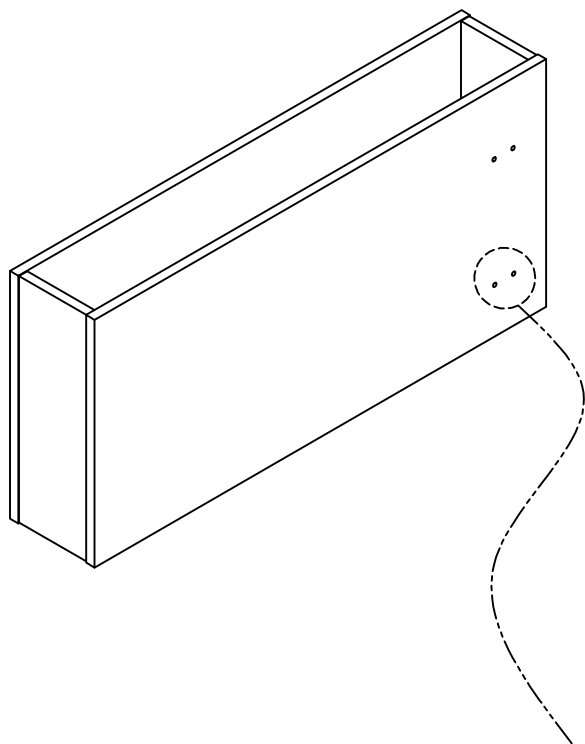
# Step 9

Note: Pay attention to choose the directions of (A) and (B), when installing ⑩⑪.

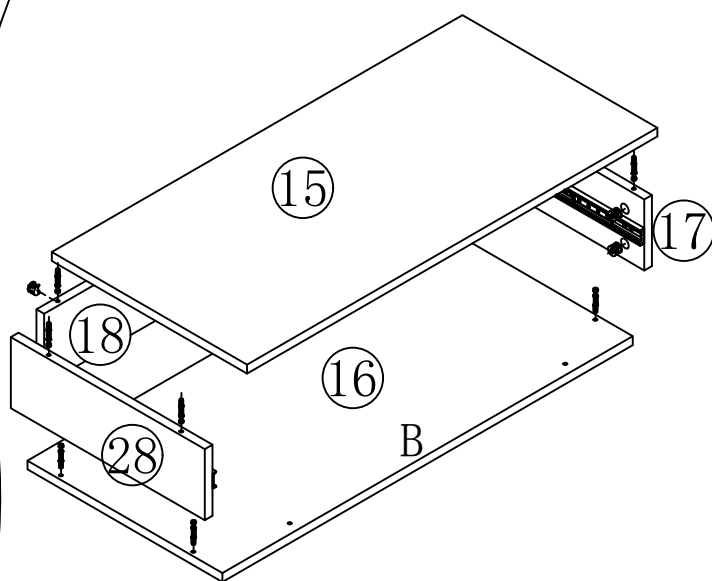
### Direction A



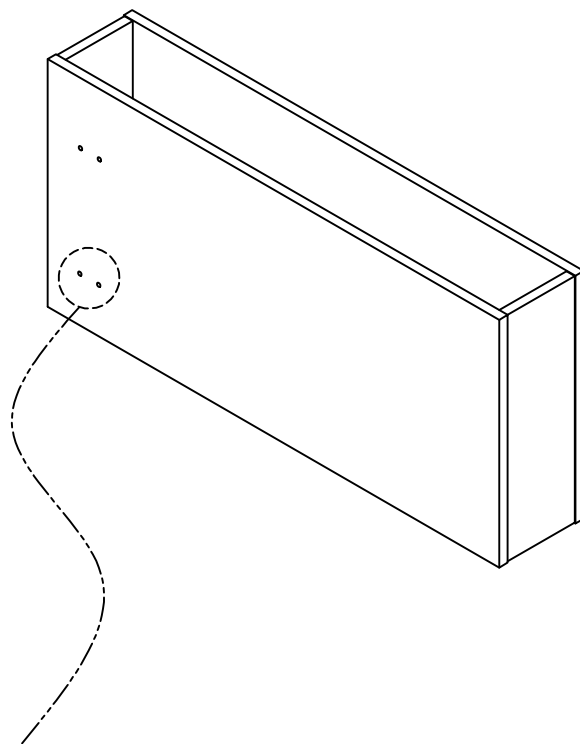
Connect ⑩⑪⑫⑬⑭  
with 14 pcs (A)



### Direction B

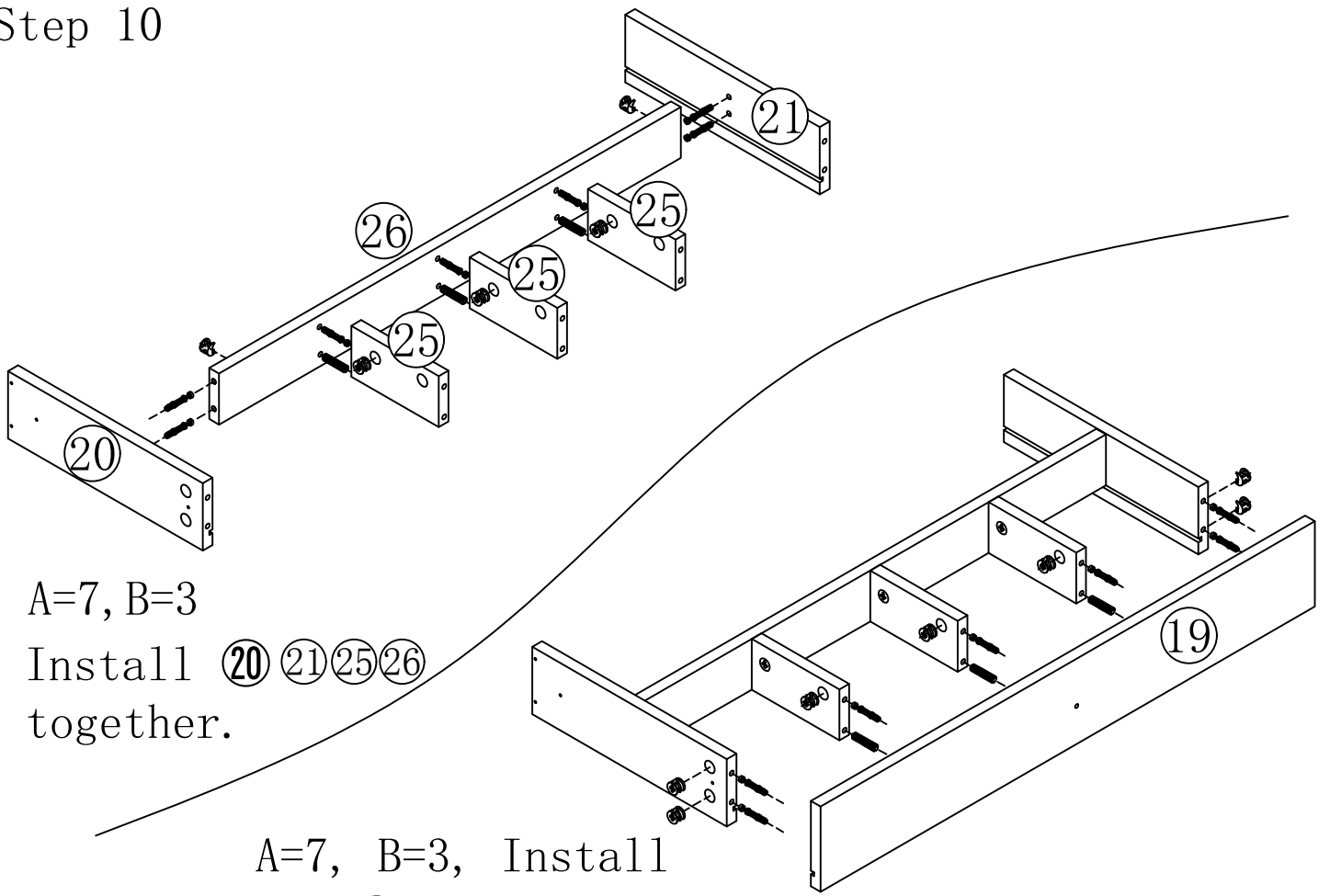


Connect ⑩⑪⑫⑬⑭  
with 14 pcs (A)



Follow Step 7 to confirm the direction of the side cabinet, No. 16 has only one hole for assembling solid wood feet, The direction of the feet is determined according to the direction of the side cabinet.

Step 10



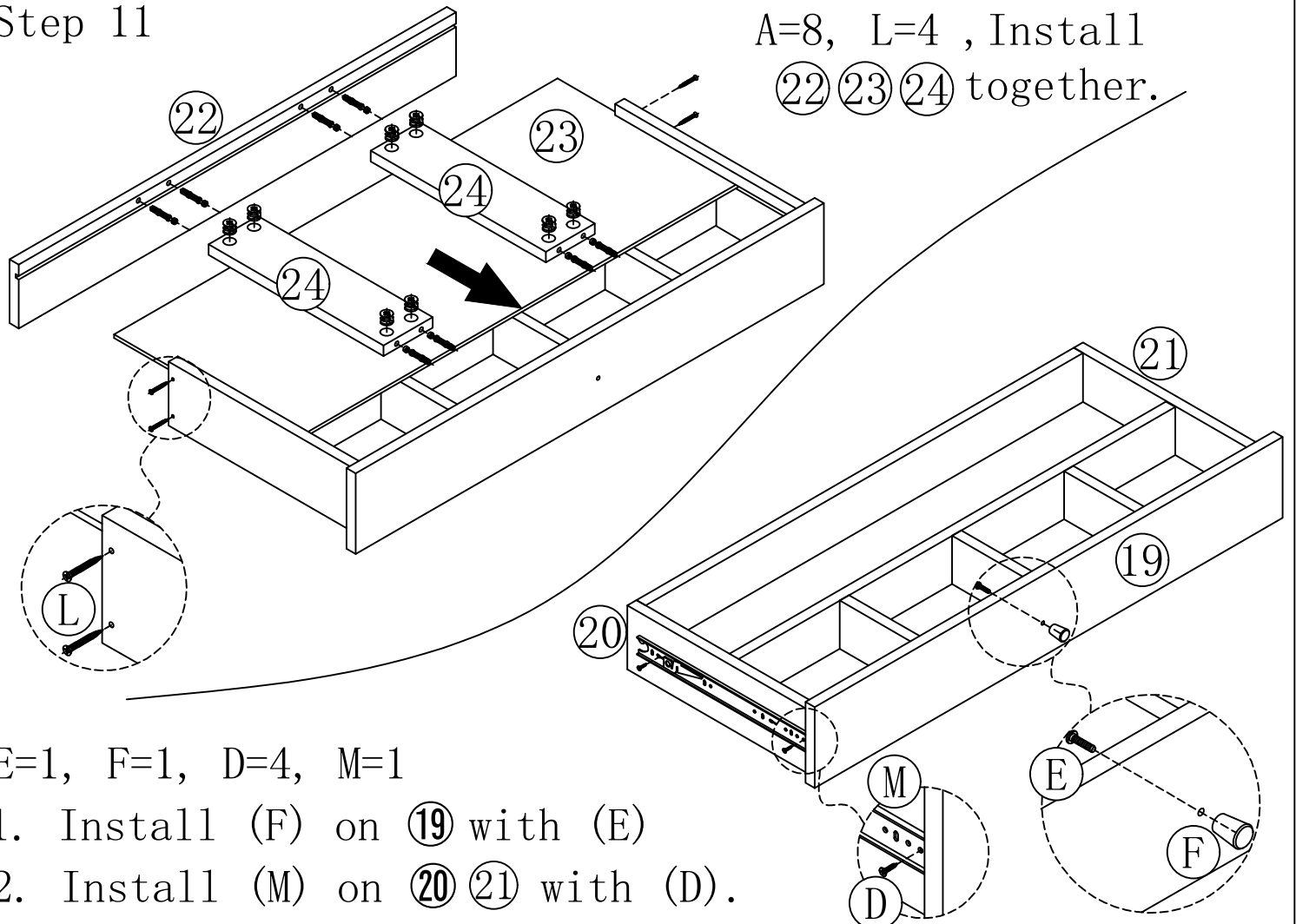
A=7, B=3

Install ⑳ ㉑㉒㉓㉔ together.

A=7, B=3, Install the ⑲ together.

Step 11

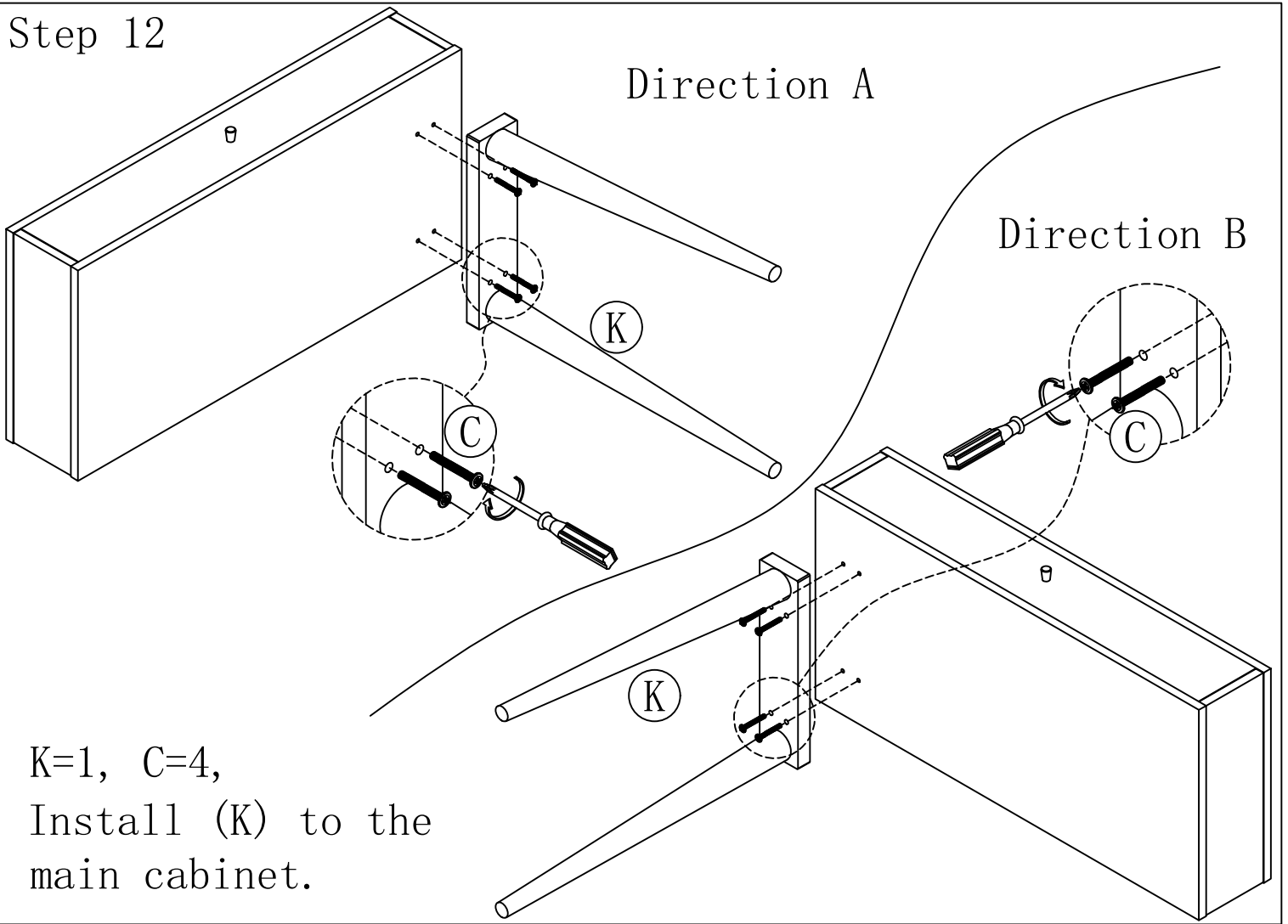
A=8, L=4, Install ㉒㉓㉔ together.



E=1, F=1, D=4, M=1

1. Install (F) on ⑲ with (E)
2. Install (M) on ㉒ ㉓ with (D).

### Step 12

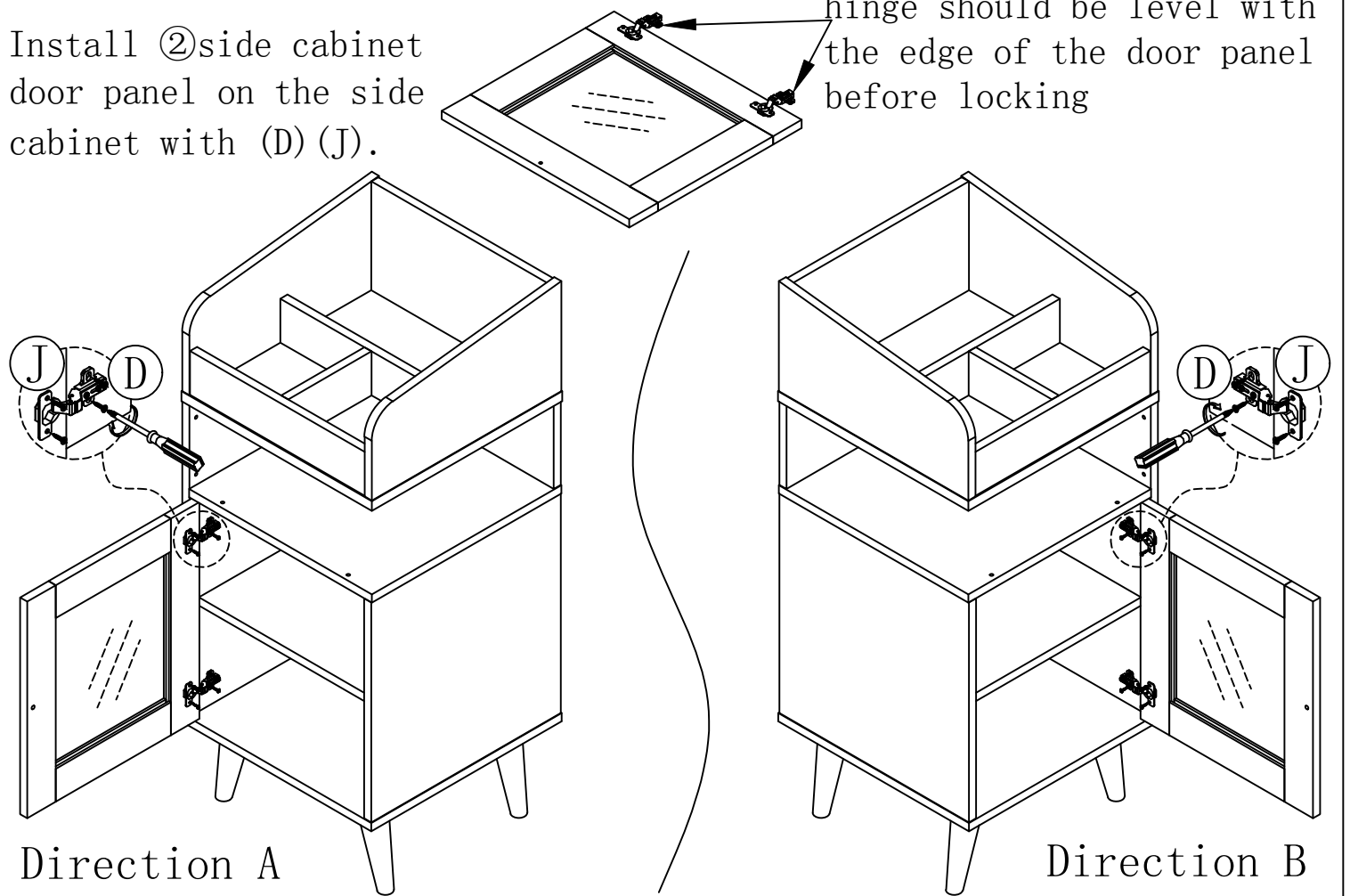


K=1, C=4,  
Install (K) to the  
main cabinet.

### Step 13

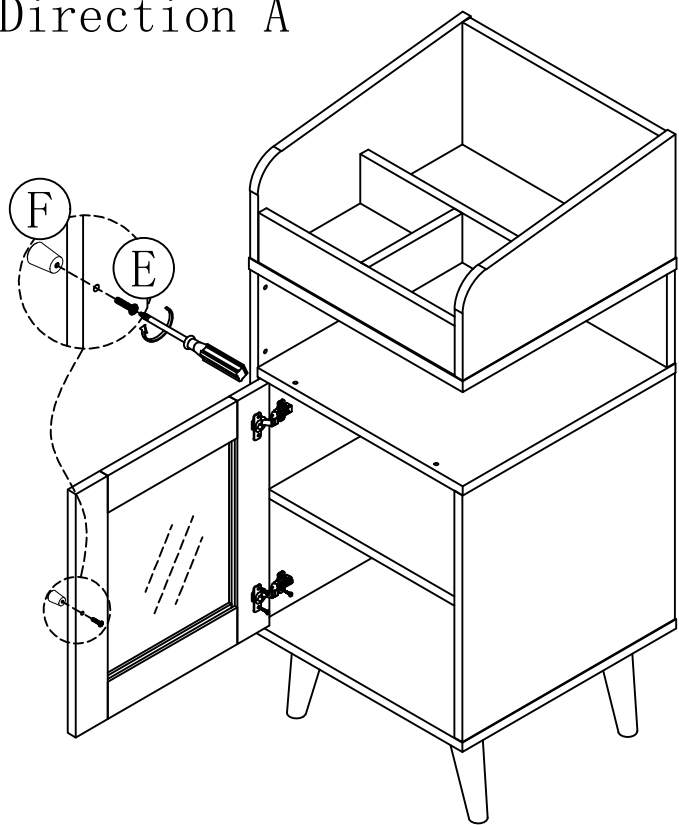
Install ② side cabinet  
door panel on the side  
cabinet with (D) (J).

Note: The edge of the door  
hinge should be level with  
the edge of the door panel  
before locking

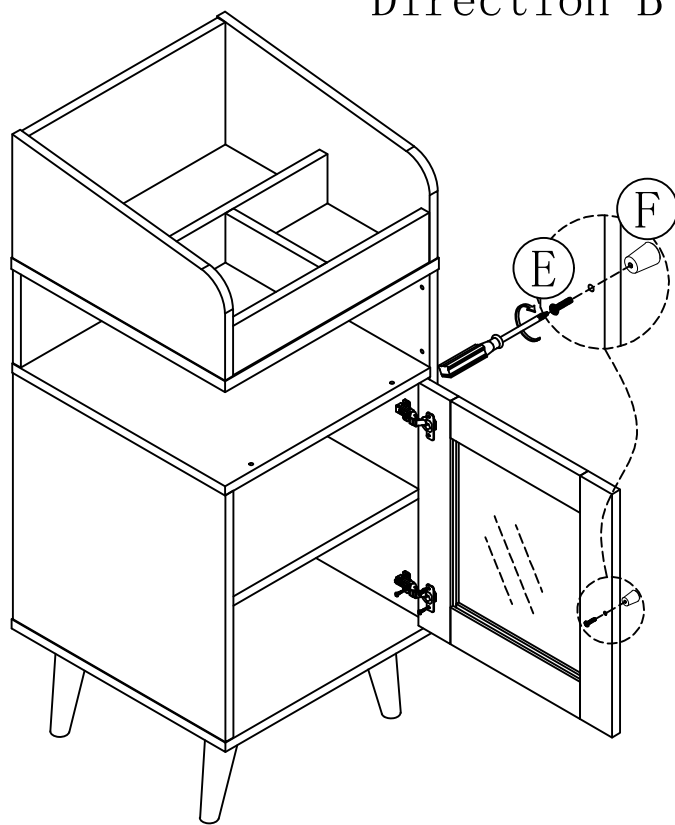


# Step 14

Direction A



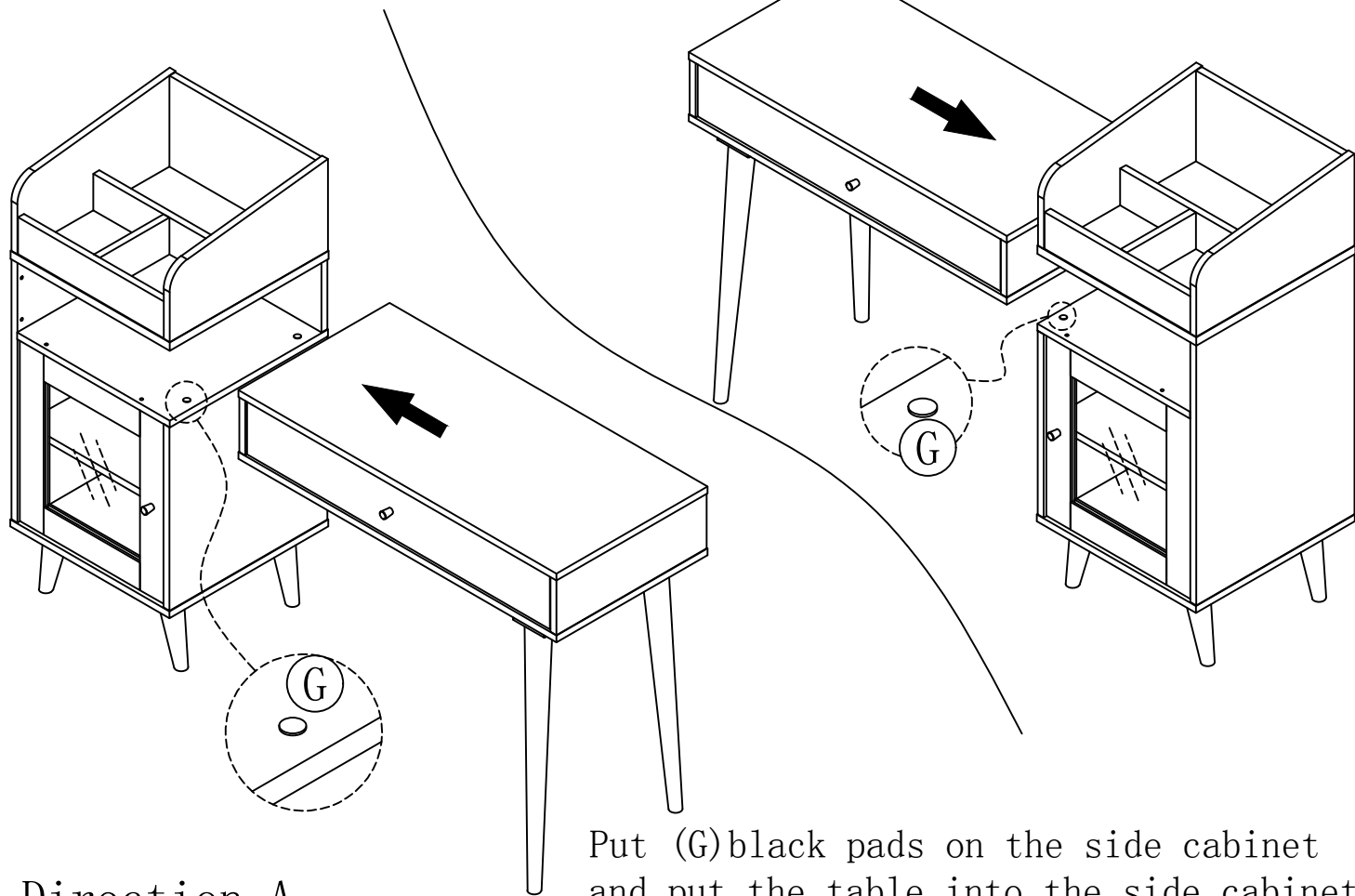
Direction B



Install (F) on the ② side cabinet door panel with (E).

# Step 15

Direction B



Put (G) black pads on the side cabinet and put the table into the side cabinet.