


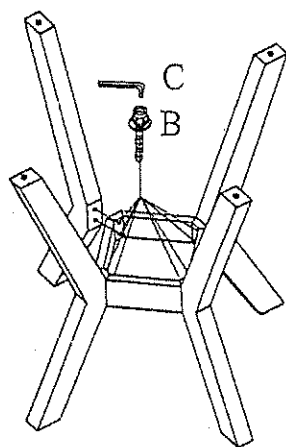


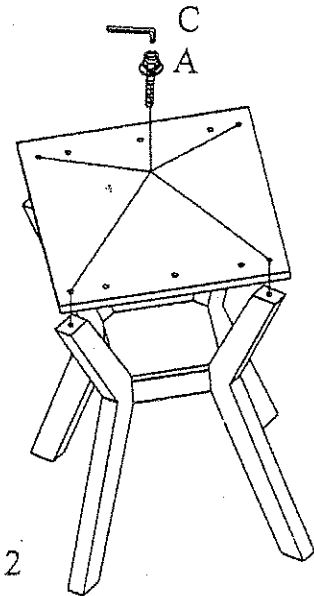
ASSEMBLY INSTRUCTIONS

DO NOT TIGHTEN SCREWS UNTIL COMPLETELY ASSEMBLED!!!

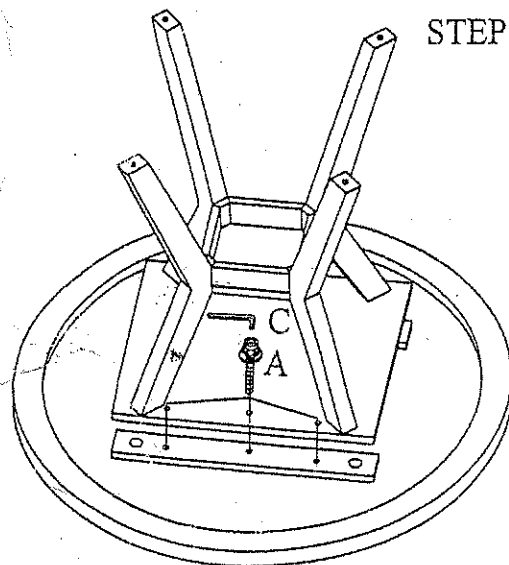
NO	DESCRIPTION			QTY
A	BOLT		Ø5/16 "*1-1/2"	10 PCS
B	BOLT		Ø5/16 "*2-3/4"	8 PCS
C	WRENCH		5/16 "	1 PC



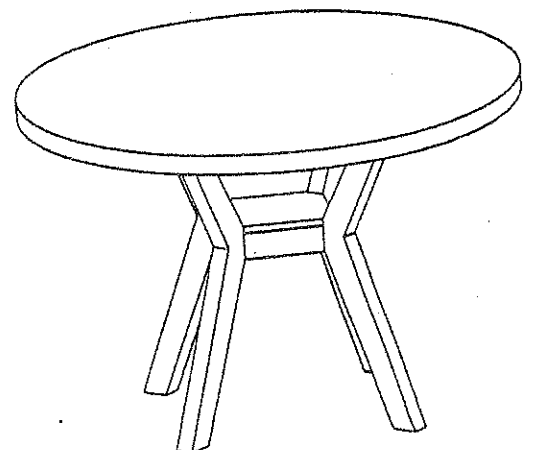
STEP 1



STEP 2



STEP 3



STEP 4

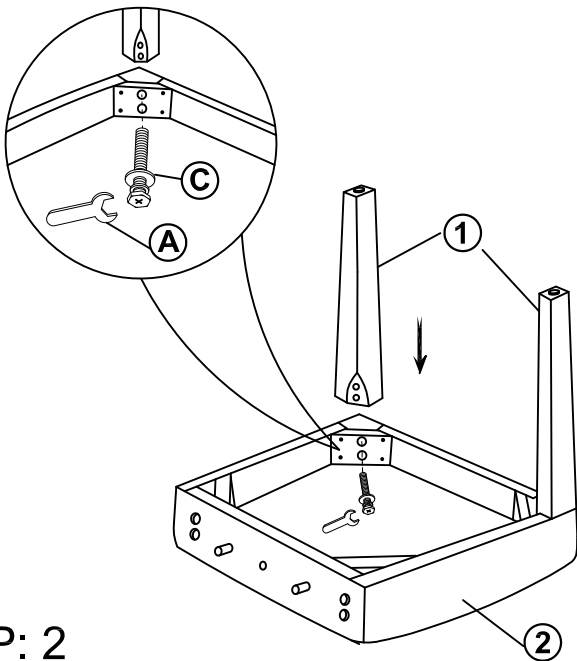
ASSEMBLY INSTRUCTION FOR ACME FURNITURE


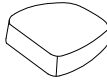
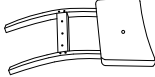
MODEL #16252 DINING CHAIR

Thank you for purchasing this quality product. Be sure to check all packing material carefully for small parts which may have come loose inside the carton during shipment. Separate, identify and count all parts and metal hardware. Compare with parts list to be sure all parts are present. If any part(s) are missing or damaged, please contact your local furniture dealer. For efficient and speedy service, please indicate the model number and code letter of part(s) needed.





*****Do not fully tighten screws until fully assembled*****

STEP: 1

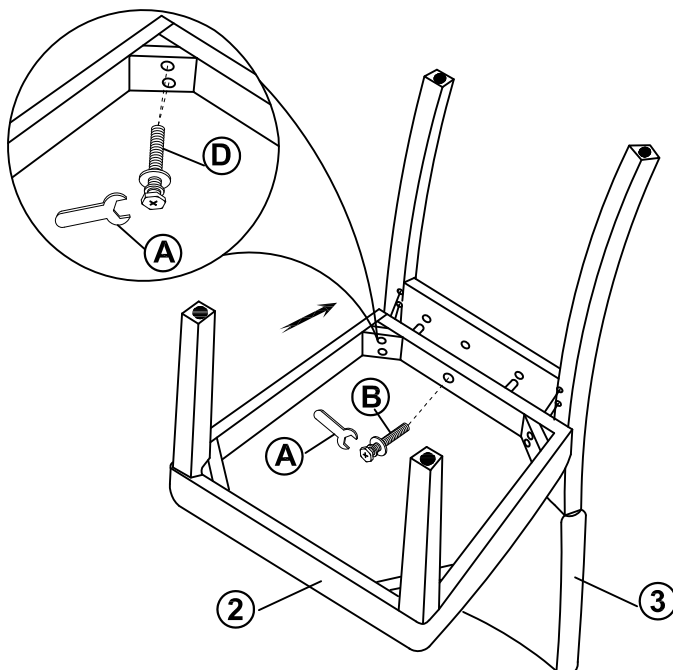


COMPONENT PARTS		
DESCRIPTION	PART NAME	Q'TY(PCS)
①	 FRONT LEG	2PCS
②	 SEAT CUSHION	1PC
③	 CHAIR BACK	1PC

HARDWARES REQUIRED

Ⓐ	 Wrench $\phi 5/16''$	1PC
Ⓑ	 Allen Bolt $\phi 5/16'' \times 1-3/4''$	1PC
Ⓒ	 Allen Bolt $\phi 5/16'' \times 2''$	4PCS
Ⓓ	 Allen Bolt $\phi 5/16'' \times 3''$	4PCS

STEP: 2



STEP: 3

