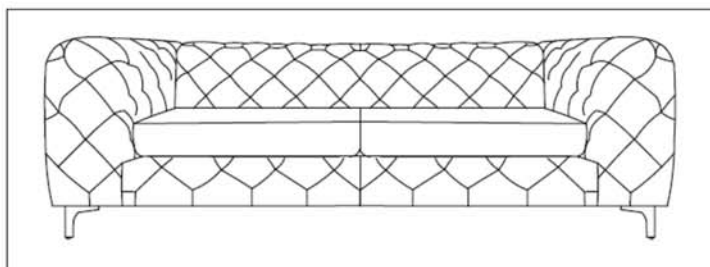
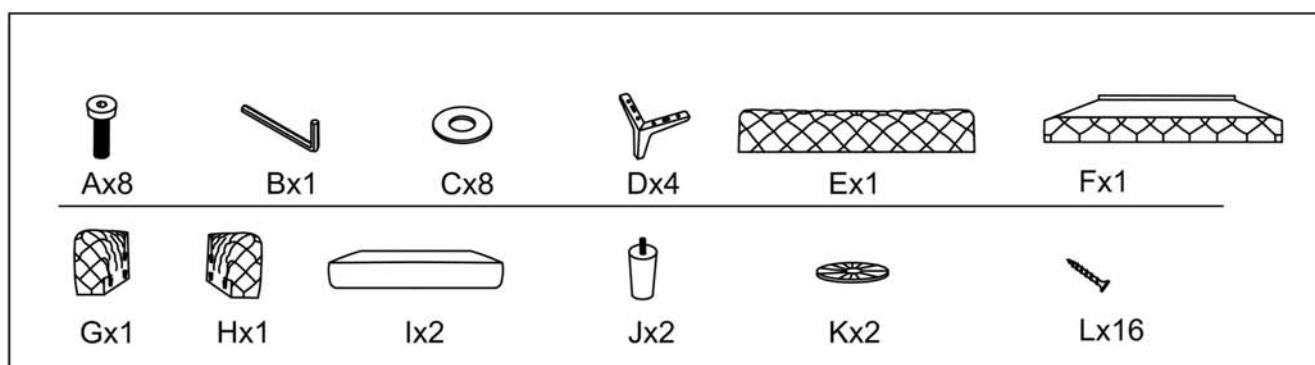


# INSTRUCTION MANUAL ENCLOSED

## SOFA CHAIR ASSEMBLY INSTRUCTION



Part	DESCRIPTION	Quantity
<b>PARTS LIST</b>		
<b>HARDWAR</b>		
A	Bolts M6*45	8
B	Allen Key	1
C	Washers	8
<b>HARDWAR</b>		
D	Sofa Feet	4
E	Sofa Back	1
F	Sofa Base	1
G	Right Armrest	1
H	Left Armrest	1
I	Seat Cushion	2
J	Central Sofa Foot	2
K	Washers	2
L	Screw	16



## PLEASE READ AND FOLLOW ALL SAFETY TIPS

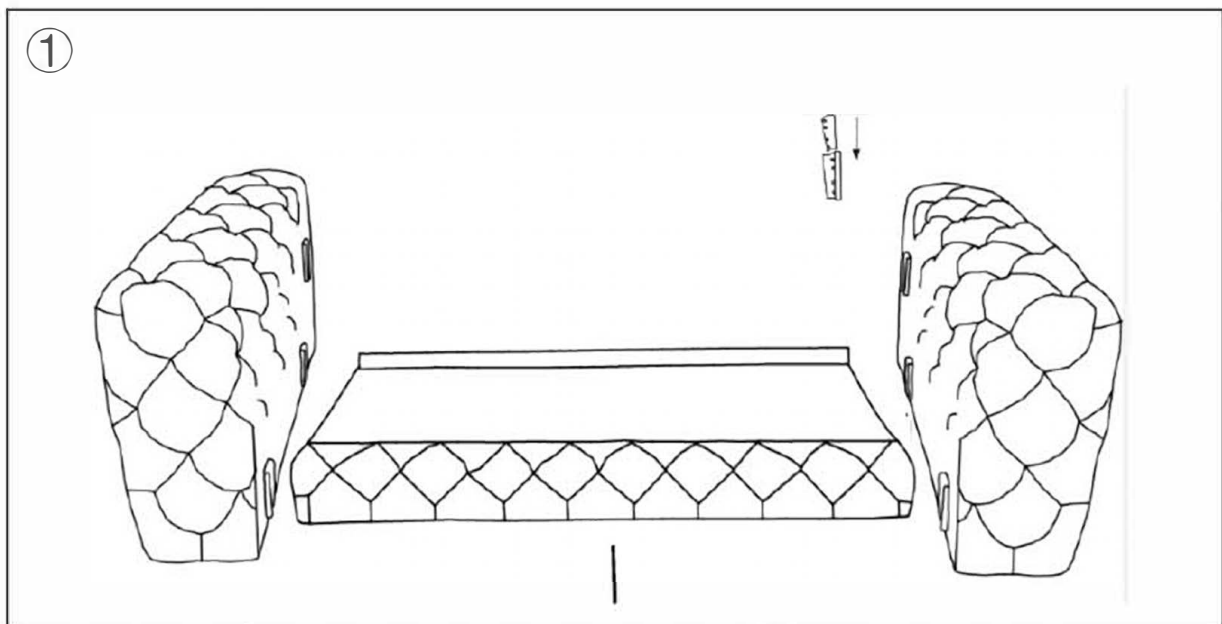
### GETTING STARTED

1. Before assembly, CAREFULLY use scissors or utility knife to cut and unwrap all parts. Make sure you do not discard the hardware.

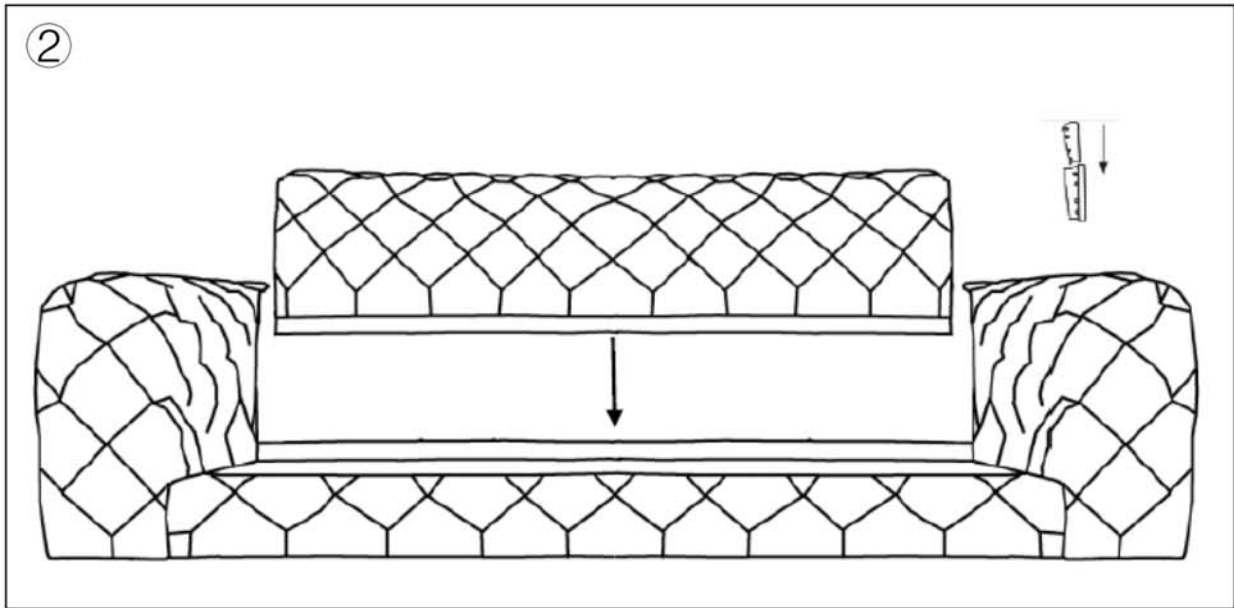
### Warm Tips:

1. The plastic covers on some metal parts are just for product protection. Please remove it before assembly.
2. Please follow the sequence of AI during assembly.
3. Do not tighten the screws until all of them are in right positions.

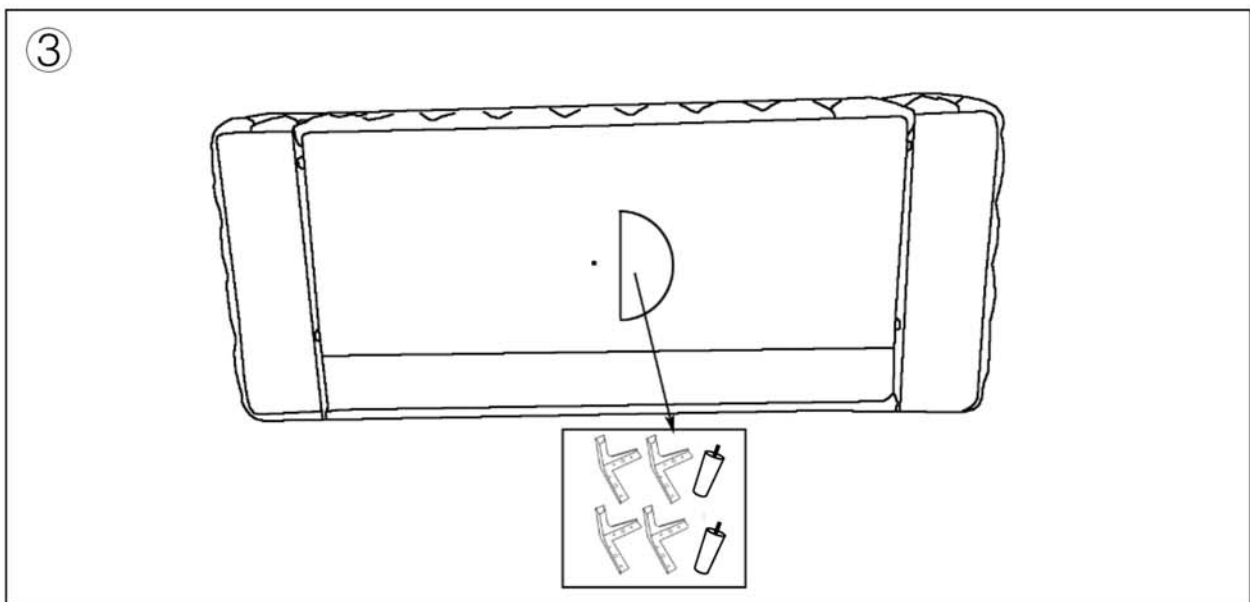
1. Locate the Sofa Base(F) to Armrests(G & H) together by inserting latches within each from top to bottom. (Photo 1).



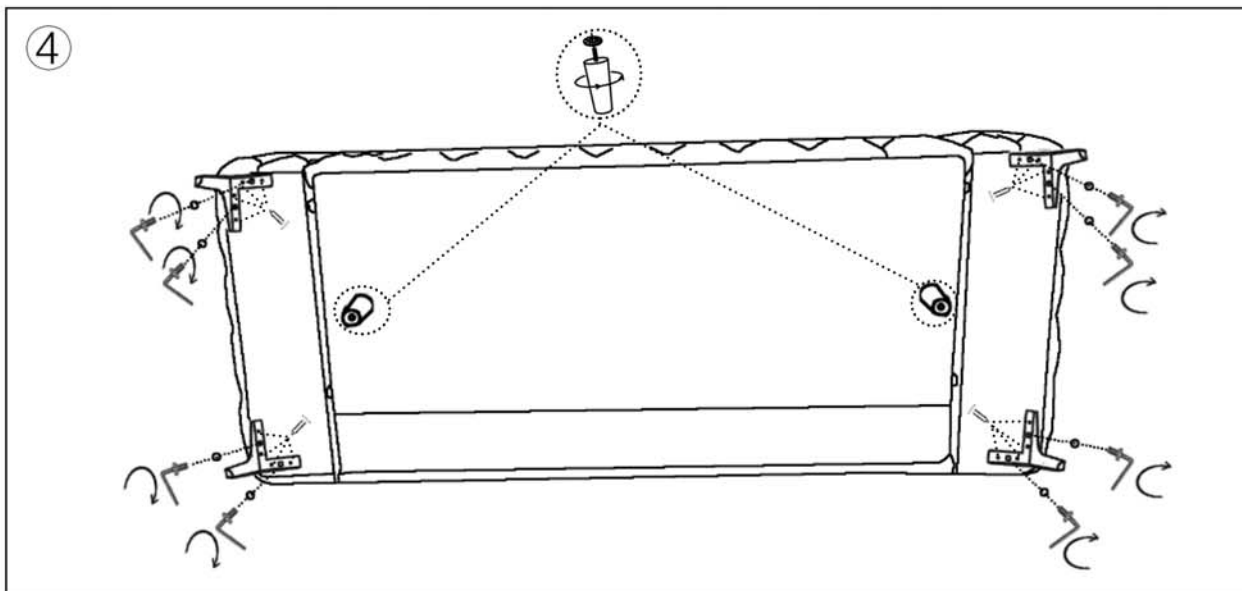
2. Embed Sofa Back(E) on top of Sofa Base(F) by inserting latches each from top to bottom. (Photo ②)



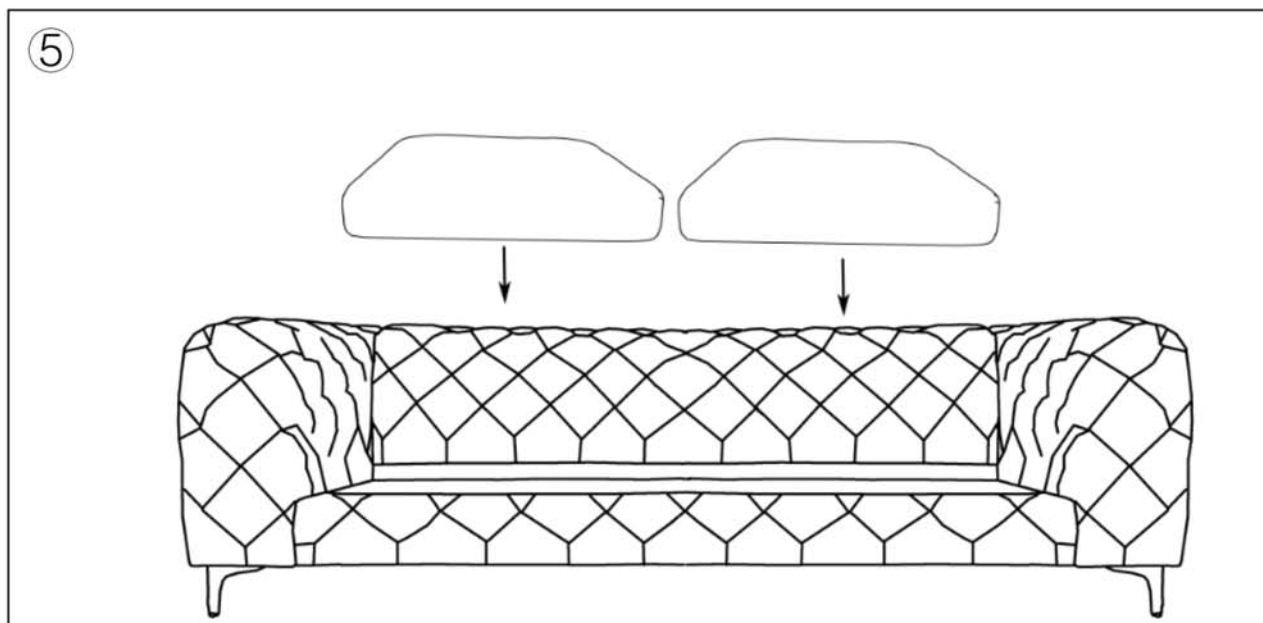
3. Open the trunk beneath the Sofa Base(F) to find the 5 Sofa Feet. (D & J) (Photo ③)



4. Locate each Sofa Feet(D) to each corner beneath the Sofa Base(F) by the pre-drilled threads. Fasten Bolts(A) and Washers(C) to make combine Sofa Base(F) and Sofa Feet(D) with Allen Key(B). Fasten the Central Sofa Feet (J) to the Sofa Base(F) with hands. (Photo④)



5. Put Seat Cushions(I) on top of Sofa Base(F). (Photo⑤)



Till now you have finished the whole assembly, enjoy your sofa!