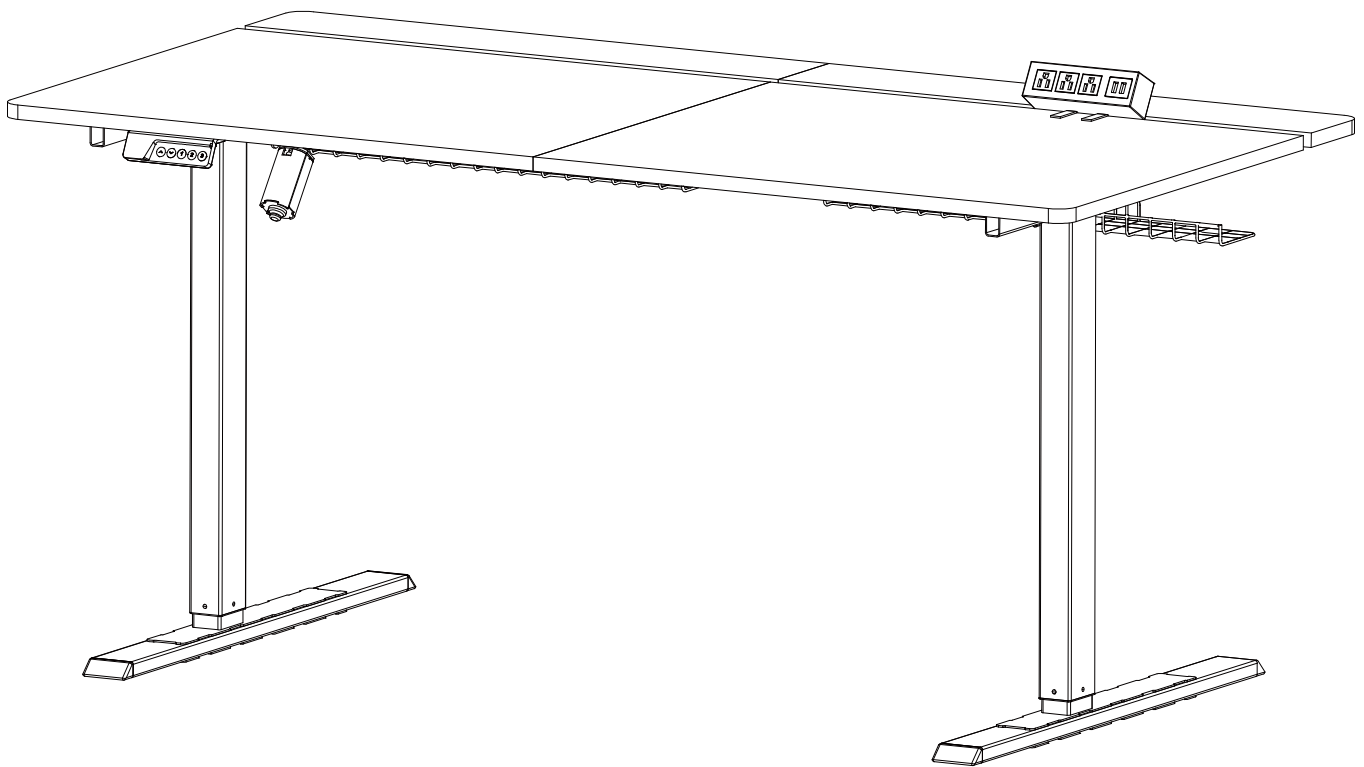


Version: 26.01.01

DeskShow

Assembly Instructions

Model:SD12





Missing parts or need help?
Email: cs@deskshow.team

Scan the QR code
below to watch the
installation video



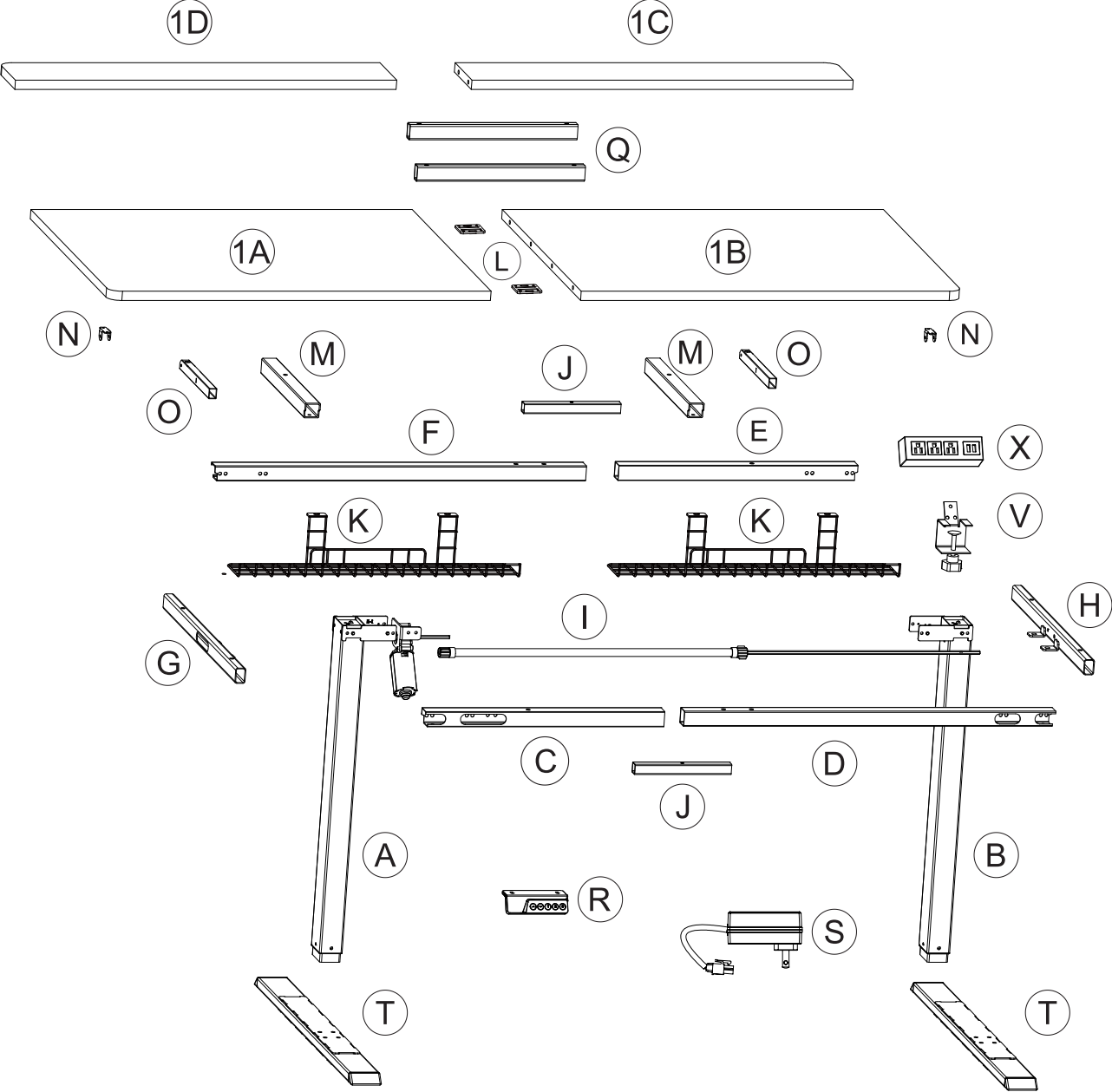
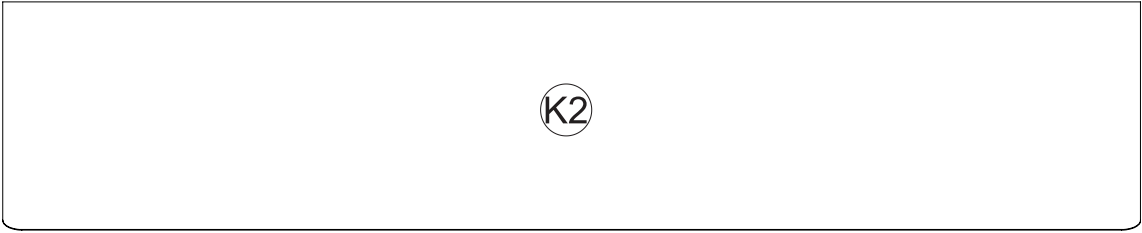
Safety Instructions

- Please do not exceed the weight limitations of this item.
- Do not stand on or use any part of this item as a step ladder.
- Firmly secure all bolts, screws, and knobs before use.
- Reconfirm that all bolts, screws, and knobs are secure every 90 days.
- Fasten screws loosely during initial assembly. Do not firmly tighten the screws until the item is completely assembled.
- Do not use or store this item in the proximity of open flame or flammable /combustible chemicals.
- Be aware that some parts are heavy and have sharp edges.
- If any parts are missing, broken, damaged, or worn, stop using this product until repairs are made or factory replacement parts are installed.
- Do not use this item in a way inconsistent with the manufacturer's instructions as this could void the product warranty.

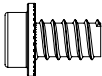
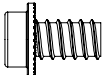
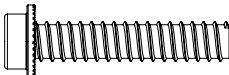
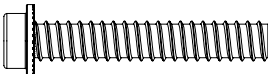
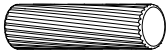
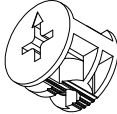
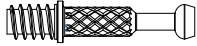
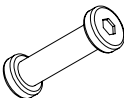

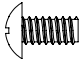
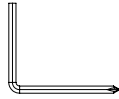

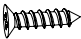
Contents

Part List	2
Screws Pack	3
Installation Steps	4
Controller Guidelines	17
Error Code Guidelines	18
Warning	18

Parts List

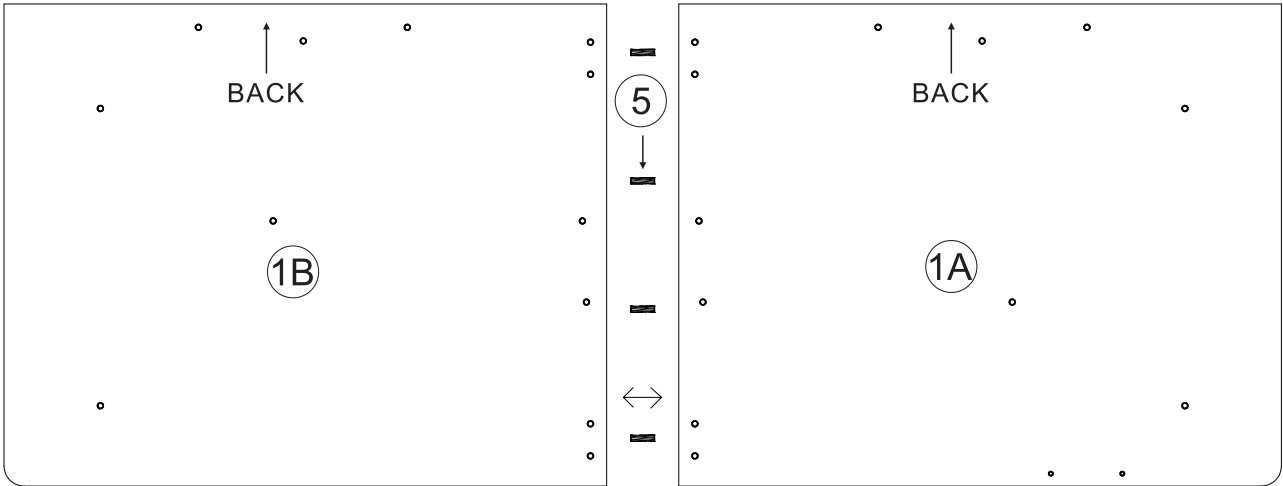


Screws Pack

1		M6×8	8+1PC
2		M6×12	36+1PC
3		M6×42	16+1PC
4		M6×35	8+1PC
5		Dowel	4+1PC
6		Eccentric Wheel	2PC
7		Screw	2PC
8		Locking Nut	2+1PC
9		Φ60	4PC
10		M4×10	6+1PC
11		M5	1PC
12		M3	1PC
13		M3×12	3+1PC

Installation Steps

Step 1

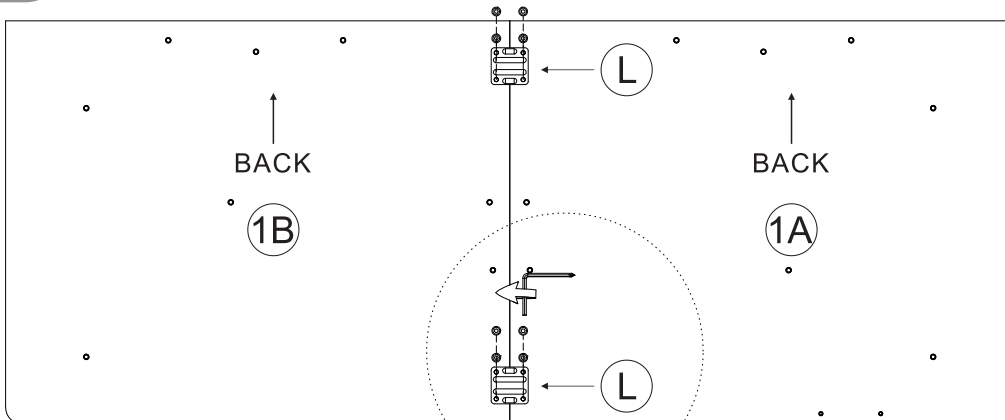


5



X4

Step 2



2

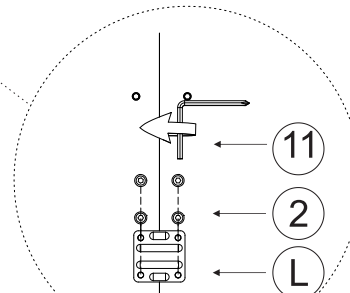


X8

11

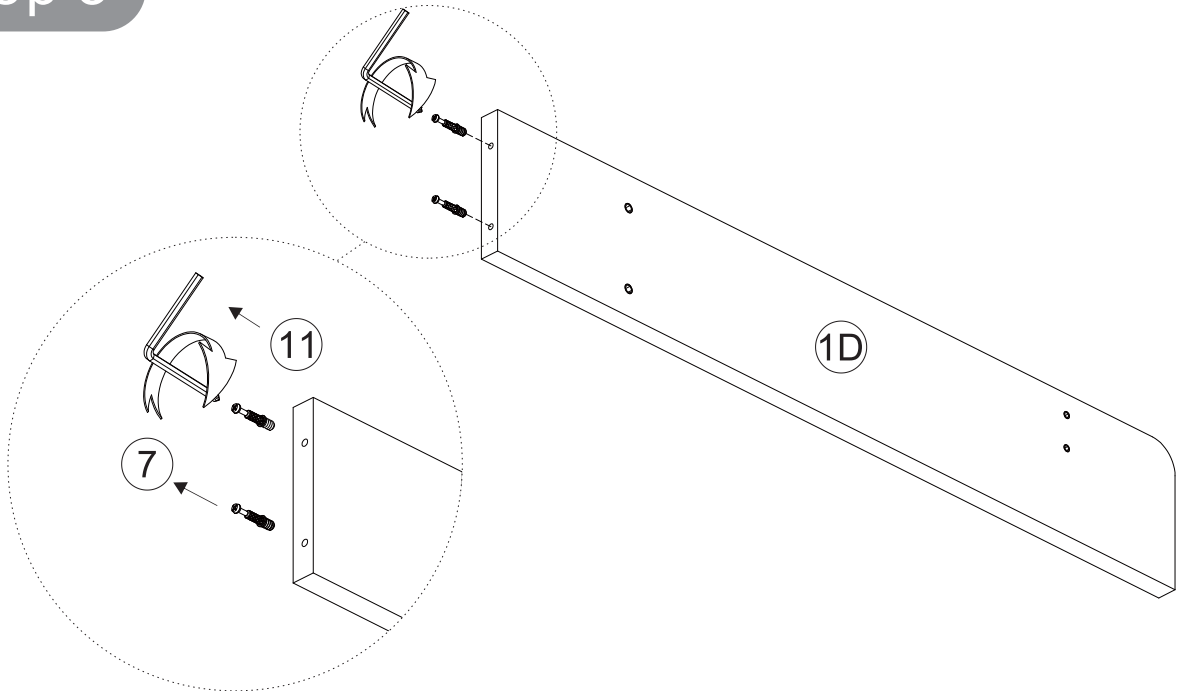




X1



Note: Do not fully tighten the screws until all of them are in place.

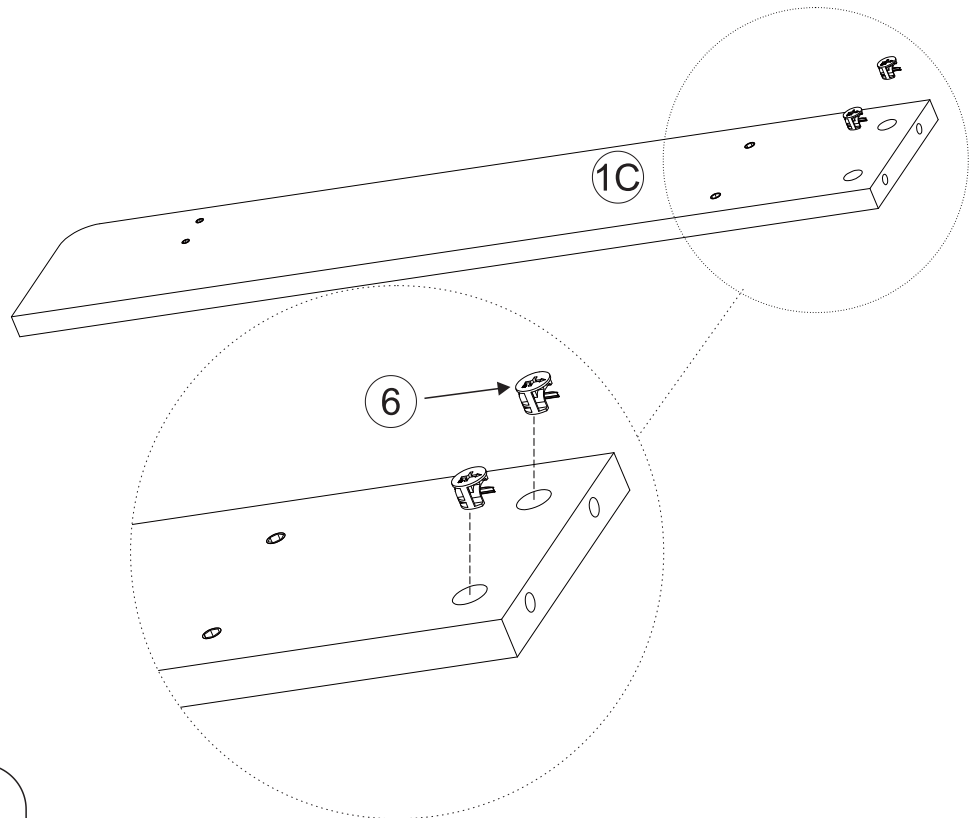
Step 3



11		X1
7		X2

Step 4

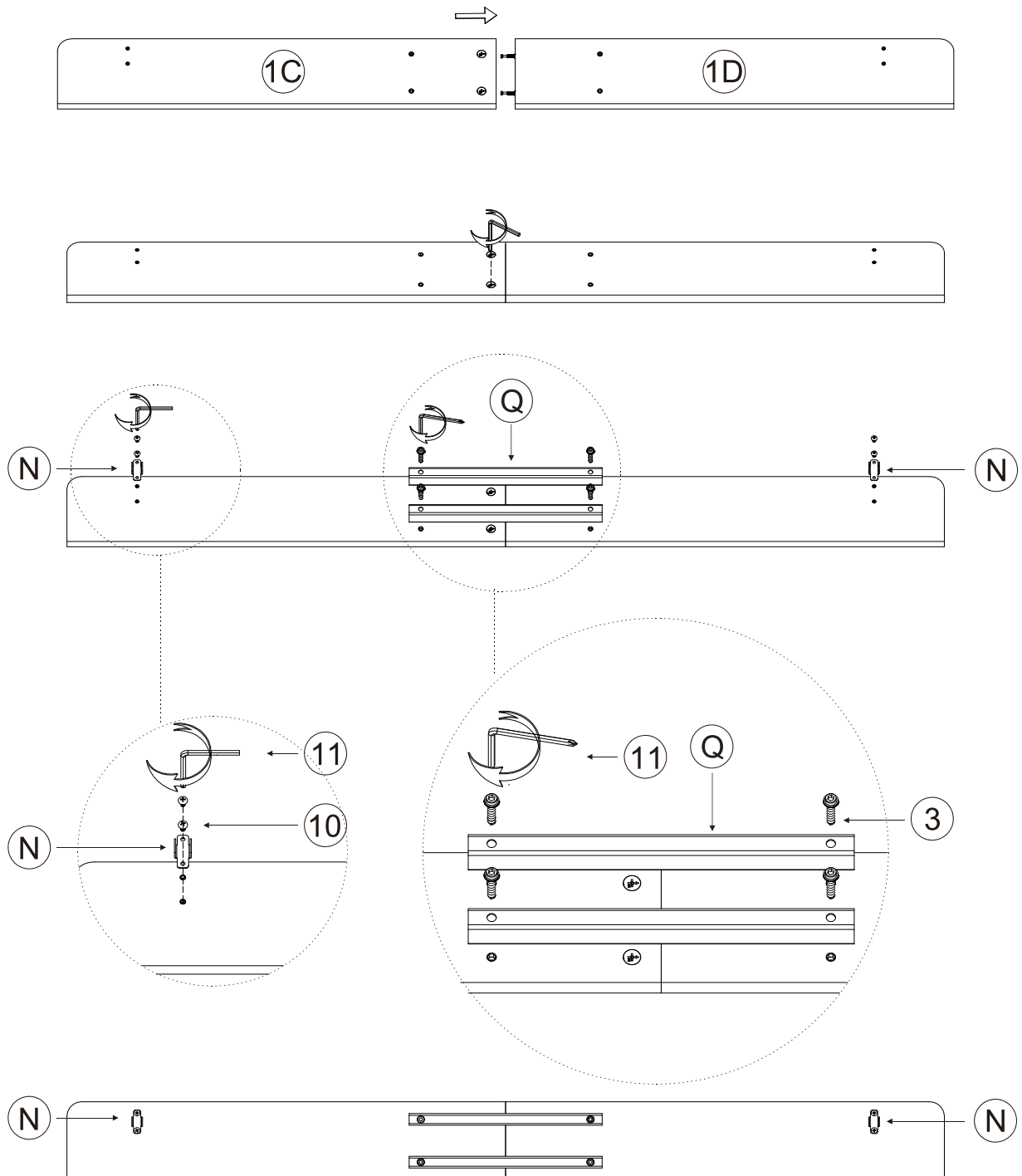
The opening direction is toward the through-hole end.



6		X2
---	---	----

Note: Do not fully tighten the screws until all of them are in place.

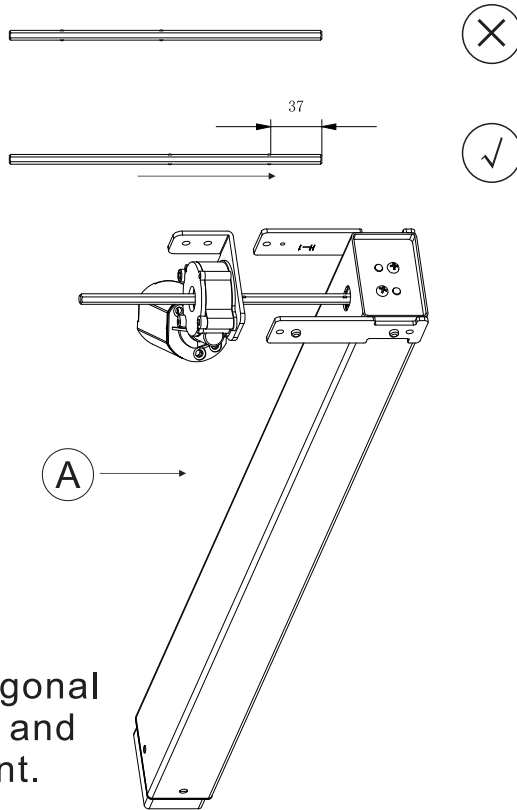
Step 5



10		X4
11		X1
3		X4

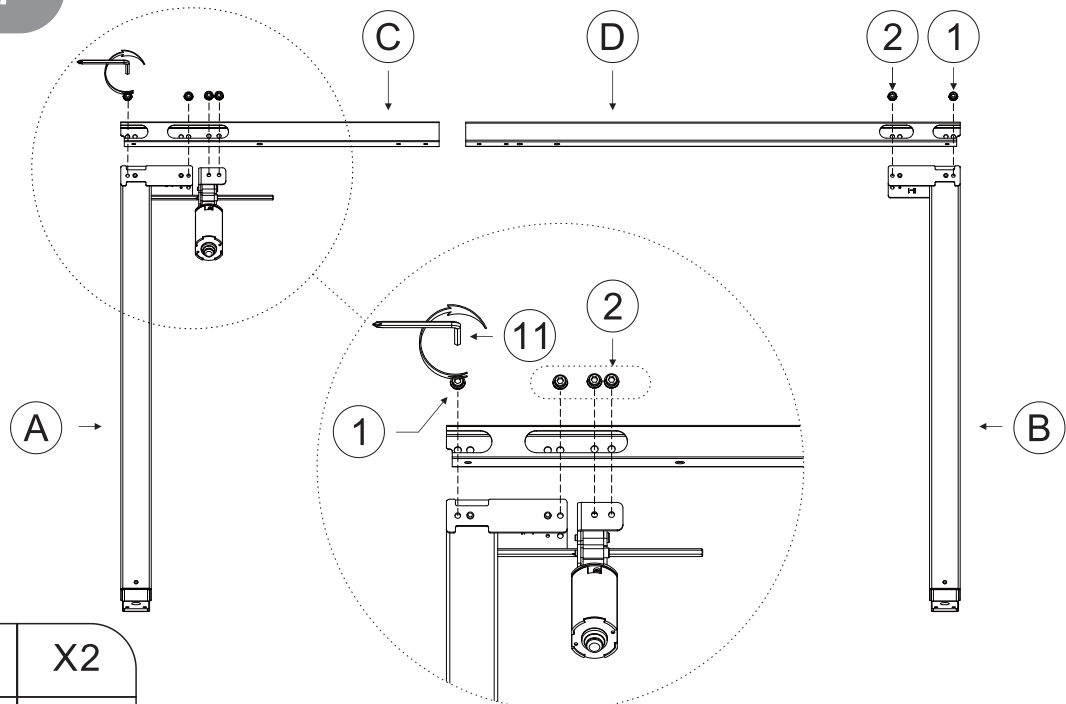
Note: Do not fully tighten the screws until all of them are in place.

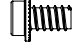

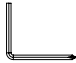
Step 6



Please ensure the hexagonal rod is oriented correctly and identified by its limit point.

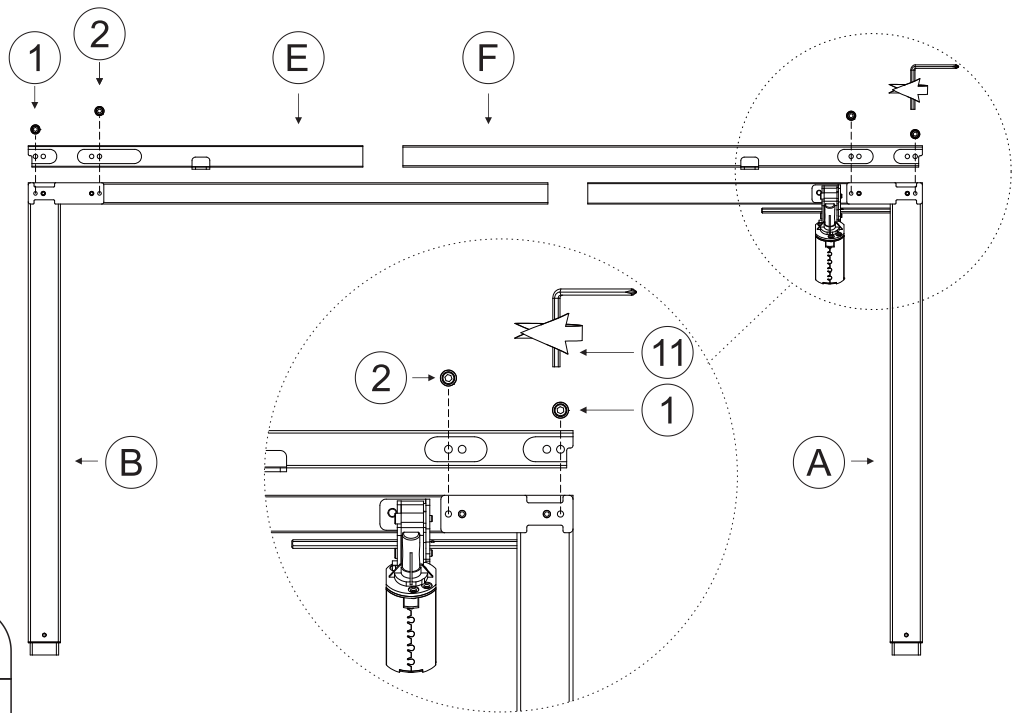
Step 7

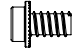
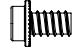



1		X2
2		X4
11		X1

Note: Do not fully tighten the screws until all of them are in place.

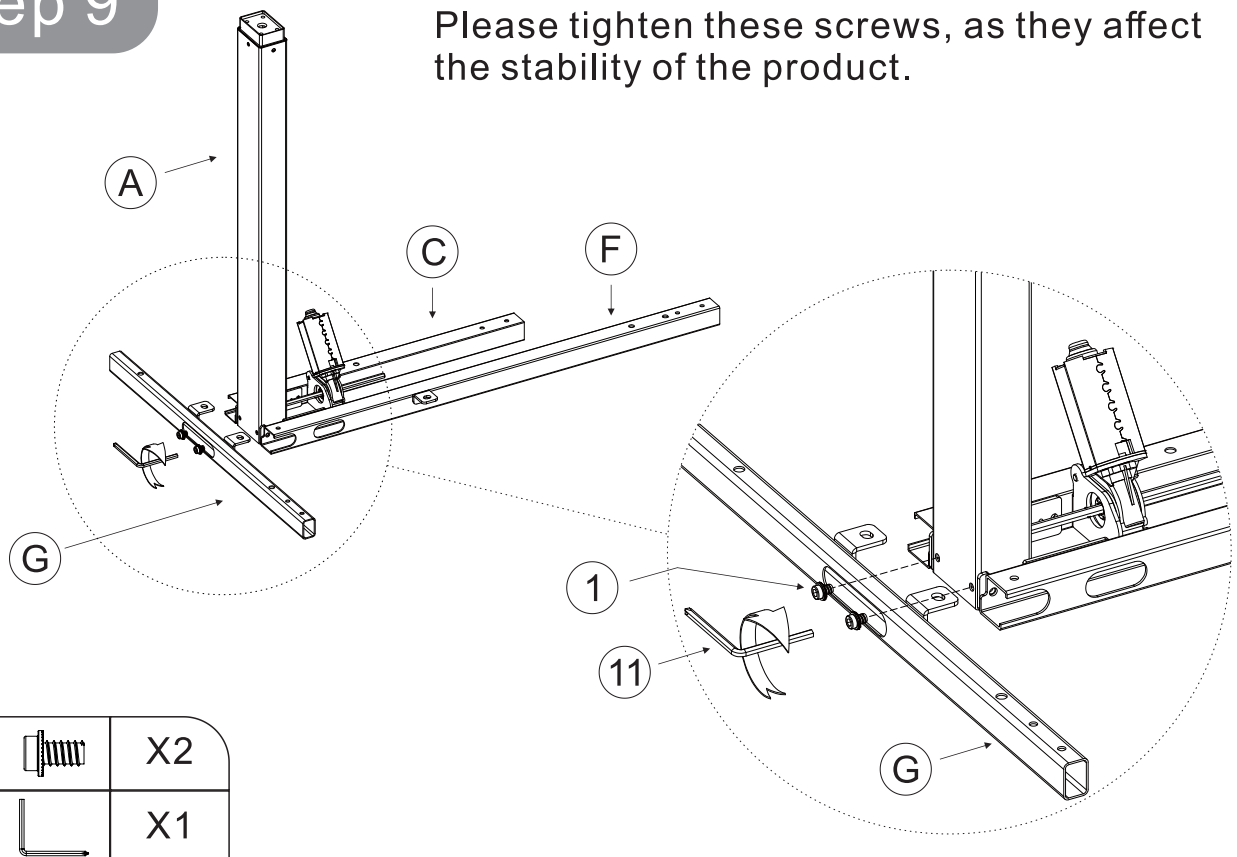
Step 8

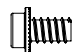



1		X2
2		X2
11		X1

Step 9

Please tighten these screws, as they affect the stability of the product.

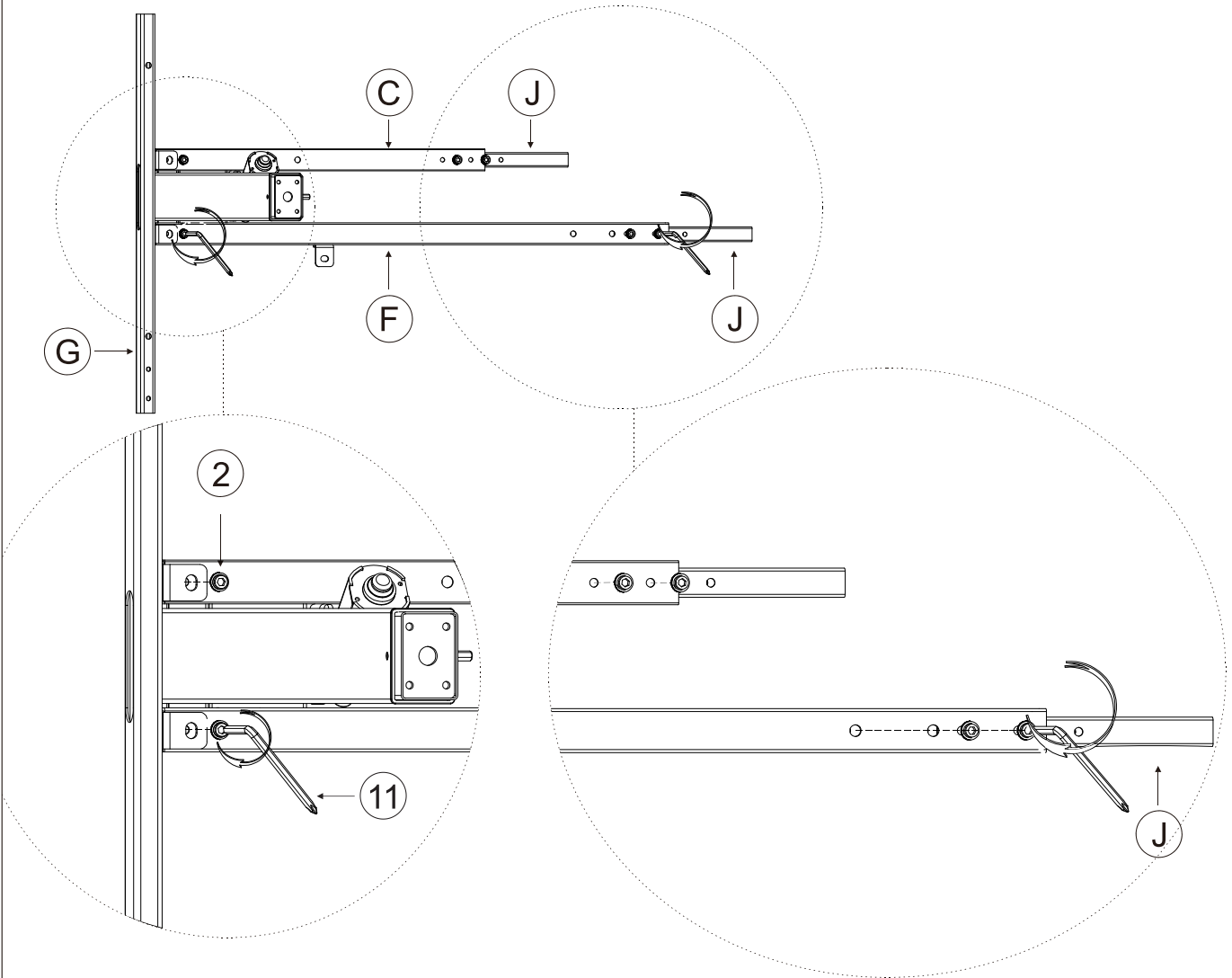


1		X2
11		X1

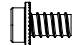

Note: Do not fully tighten the screws until all of them are in place.

Step 10

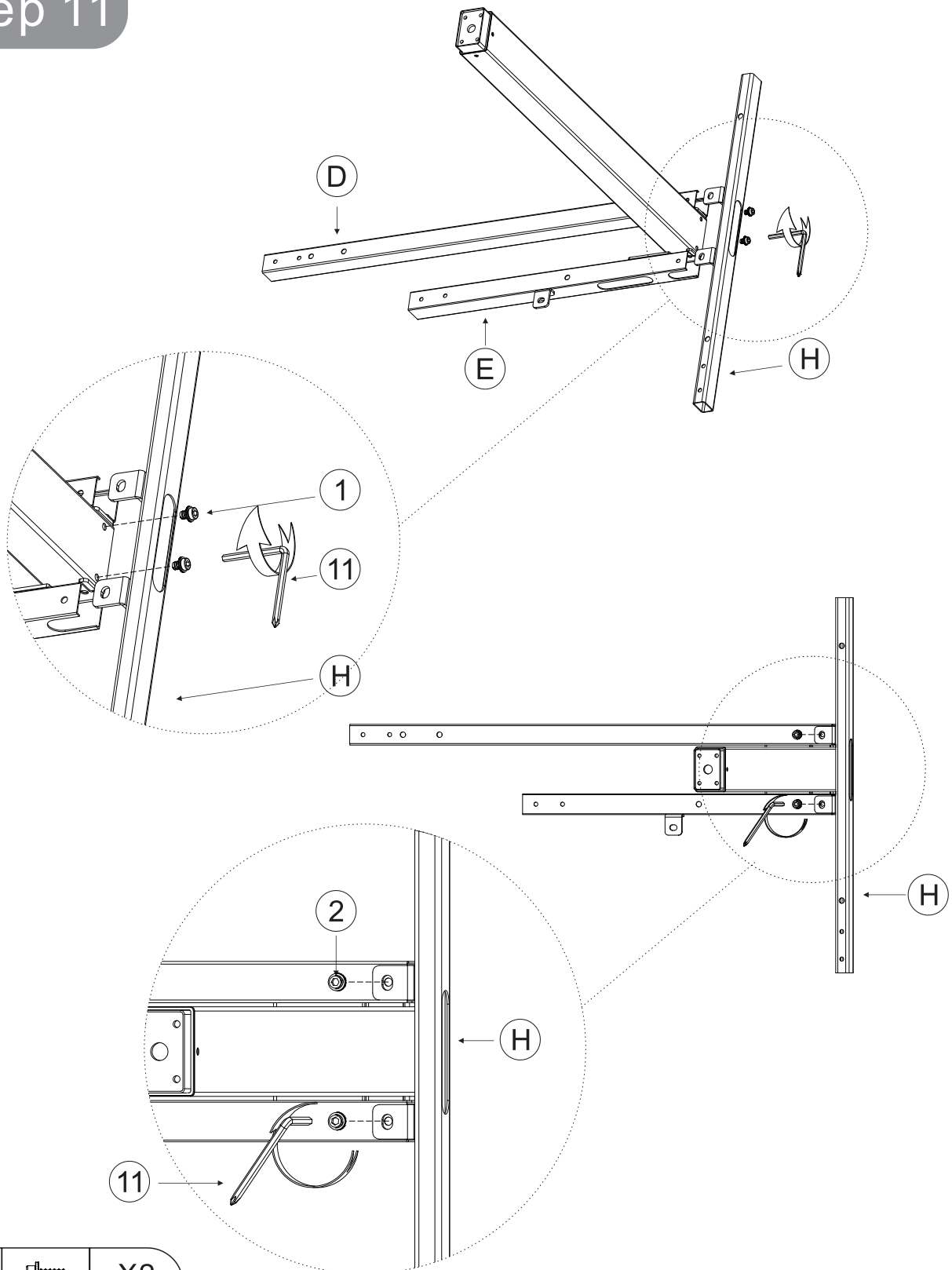
Please tighten these screws, as they affect the stability of the product.






Simply pass the screw through the outer hole and hold it against component J.

2		X6
11		X1

Step 11

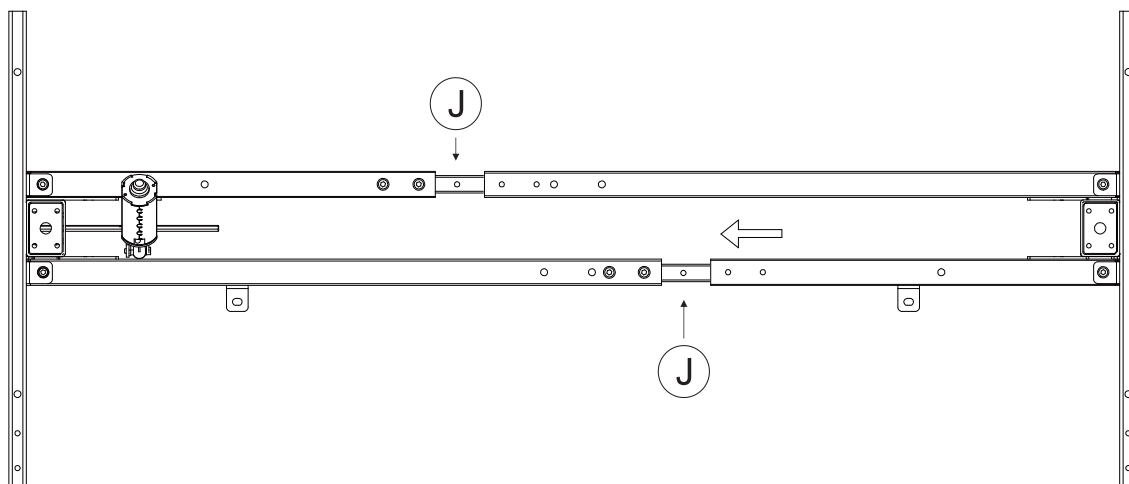


1		X2
2		X2
11		X1

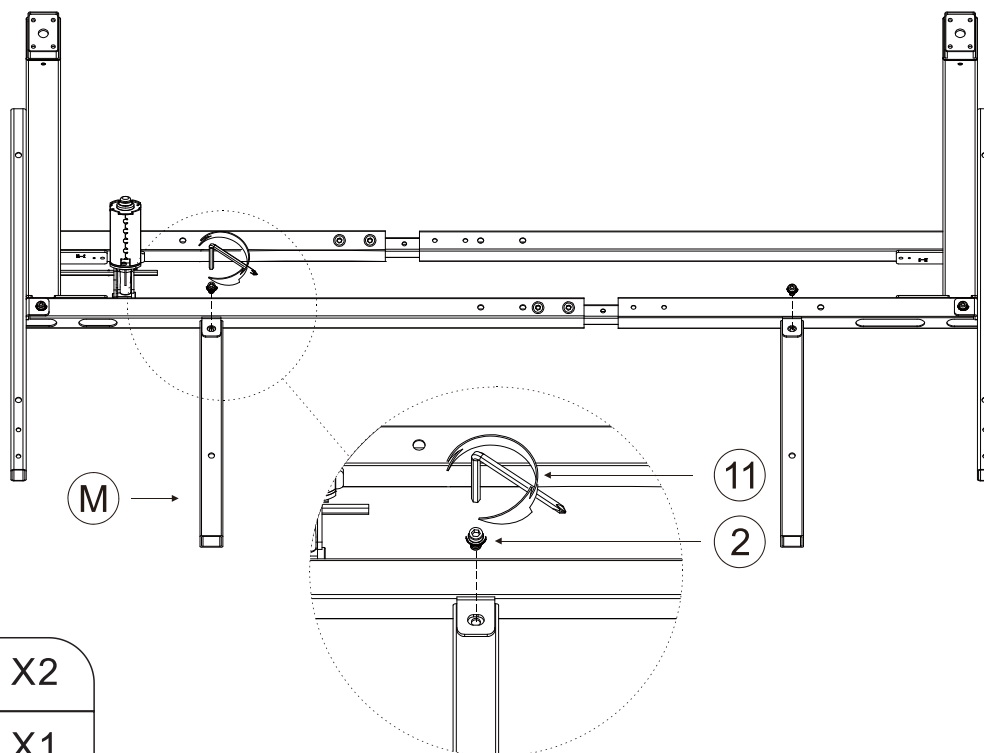
Please tighten these screws, as they affect the stability of the product.



Note: Do not fully tighten the screws until all of them are in place.

Step 12



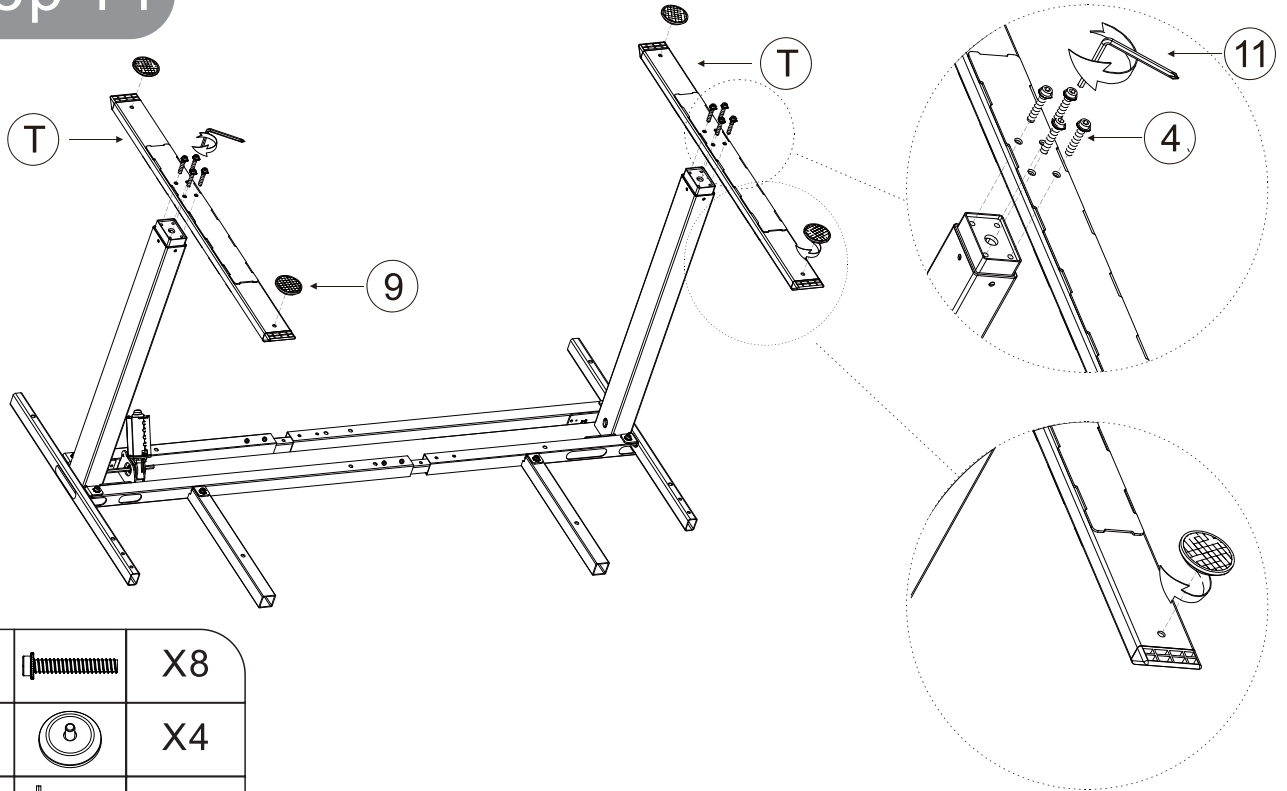
Step 13






2		X2
11		X1

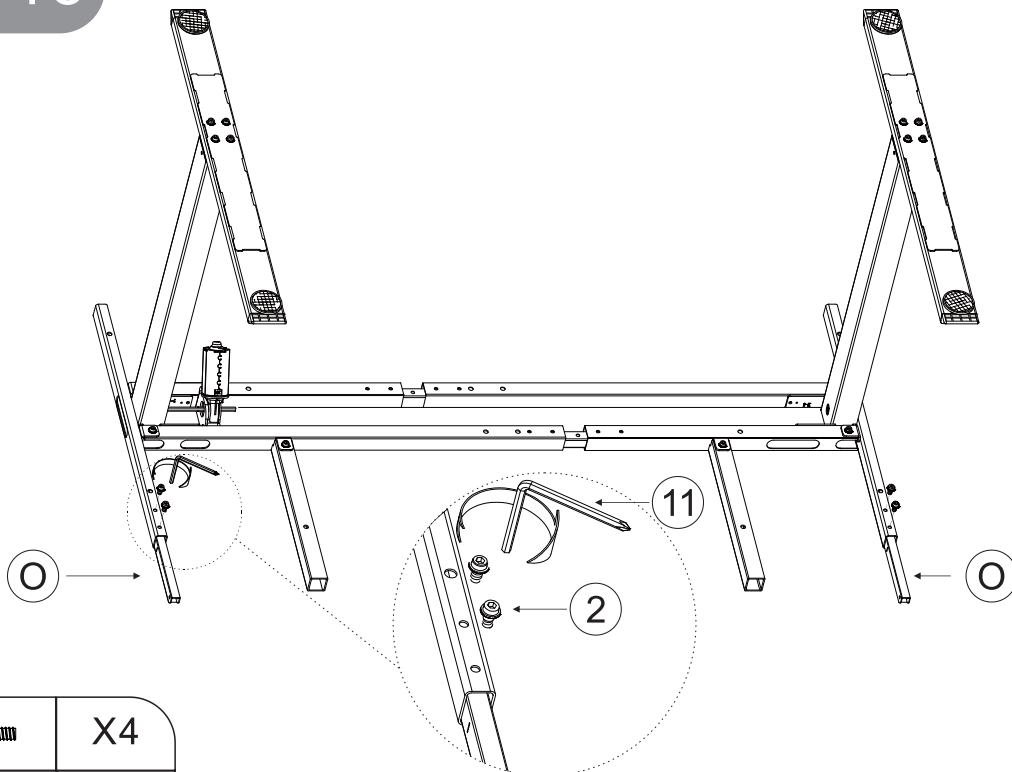
Note: Do not fully tighten the screws until all of them are in place.



Step 14



4		X8
9		X4
11		X1

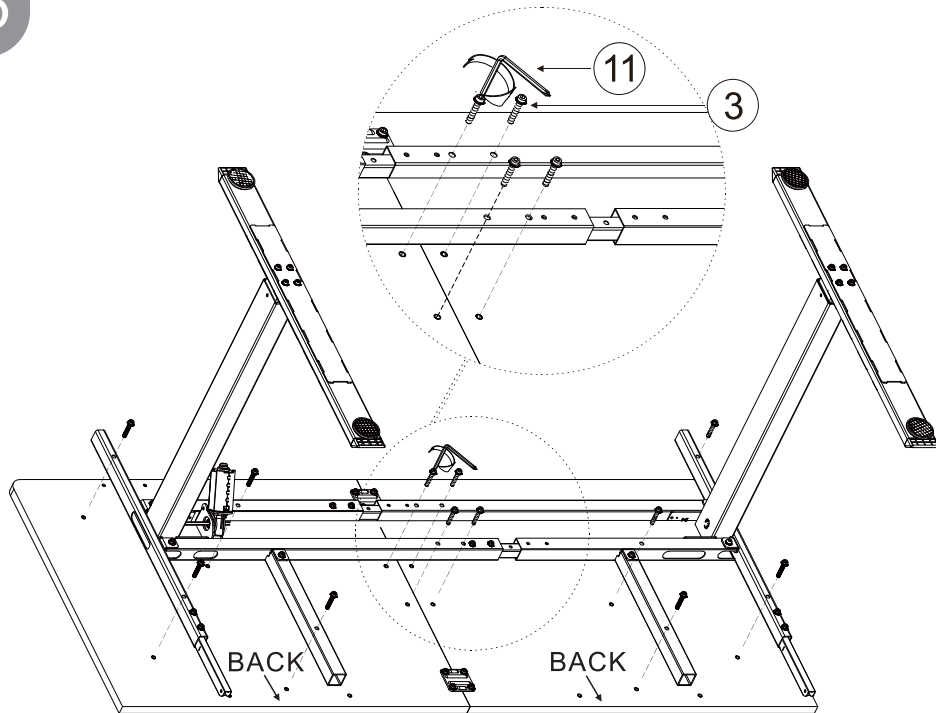
Step 15



2		X4
11		X1

Note: Do not fully tighten the screws until all of them are in place.

Step 16

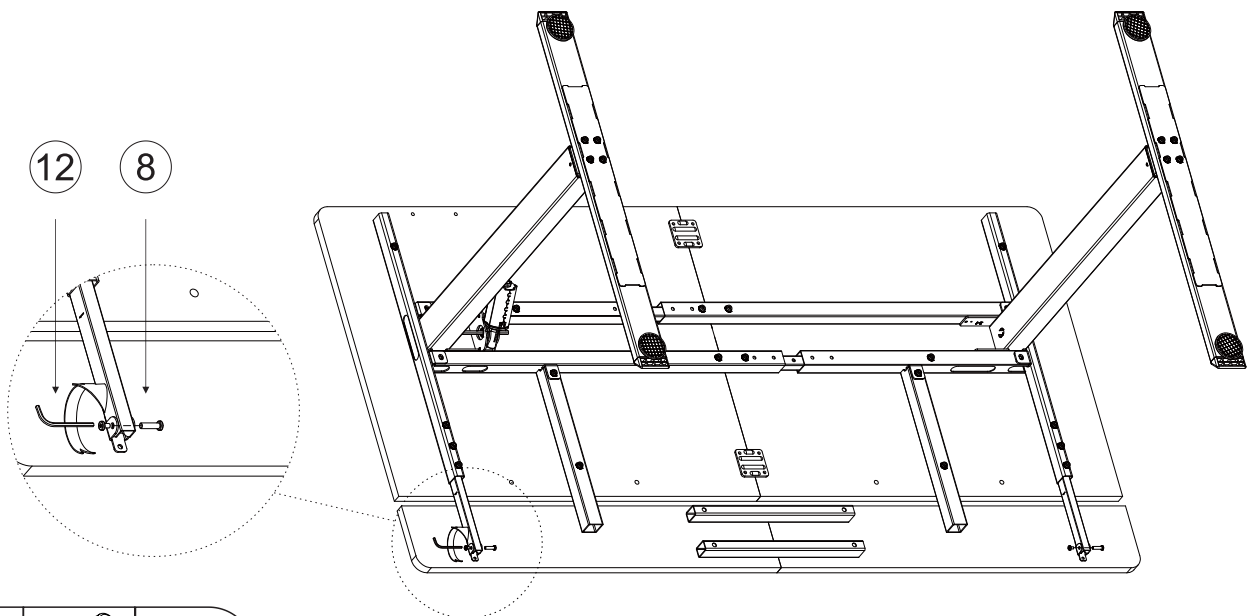


3		X12
---	---	-----

11		X1
----	--	----

Step 17

Having trouble aligning the holes? Try loosening the screws on Component alignment is achieved, retighten the screws.

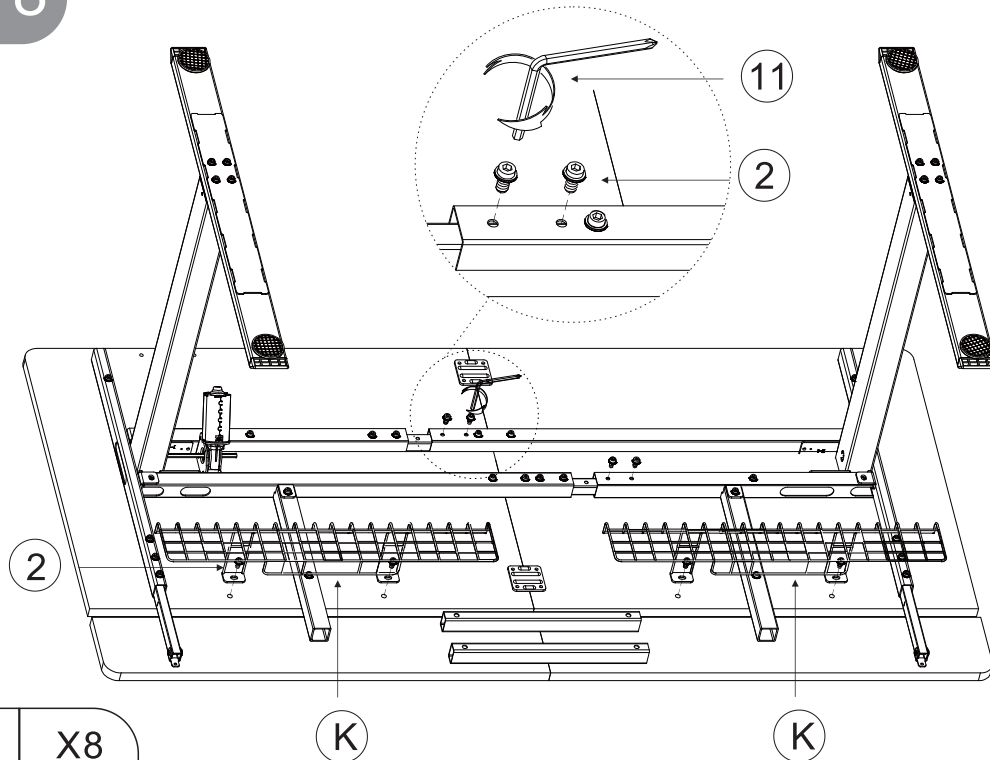


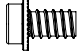

8		X2
---	---	----

12		X1
----	---	----

Note: Do not fully tighten the screws until all of them are in place.

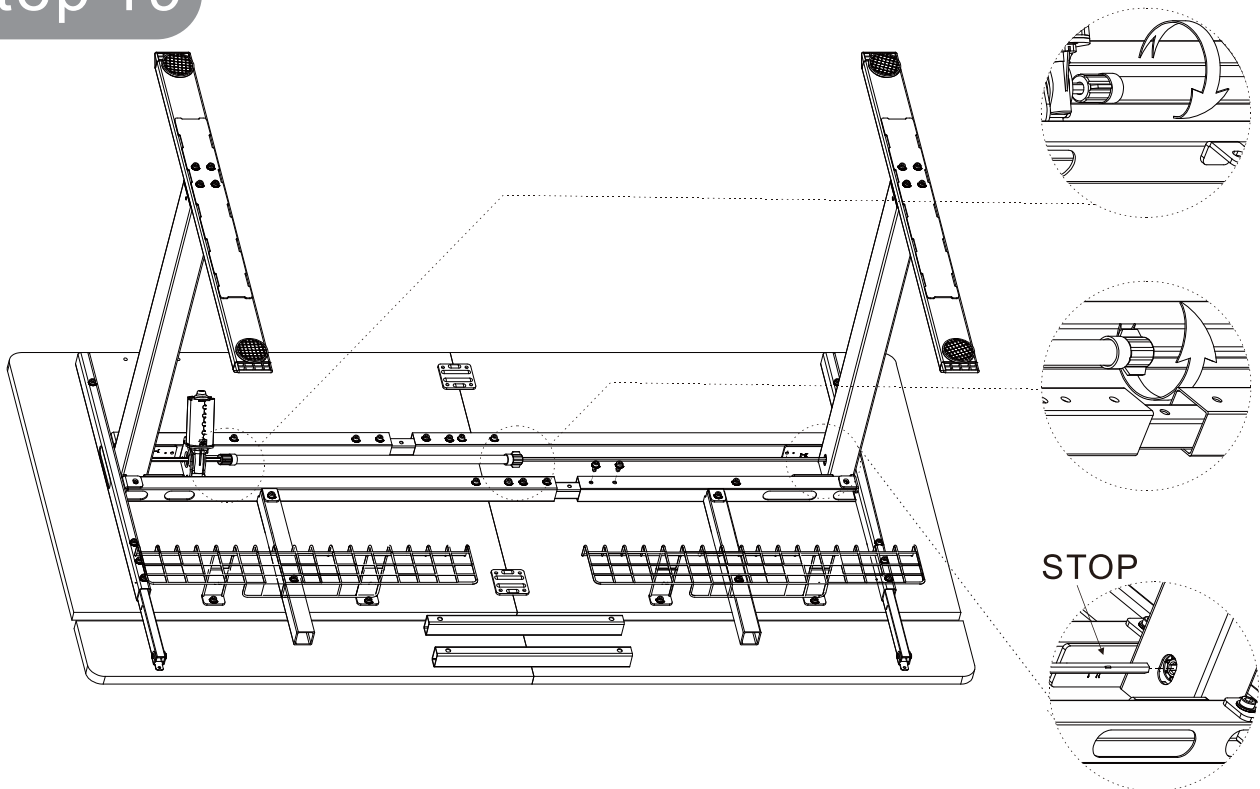
Step 18



2		X8
11		X1

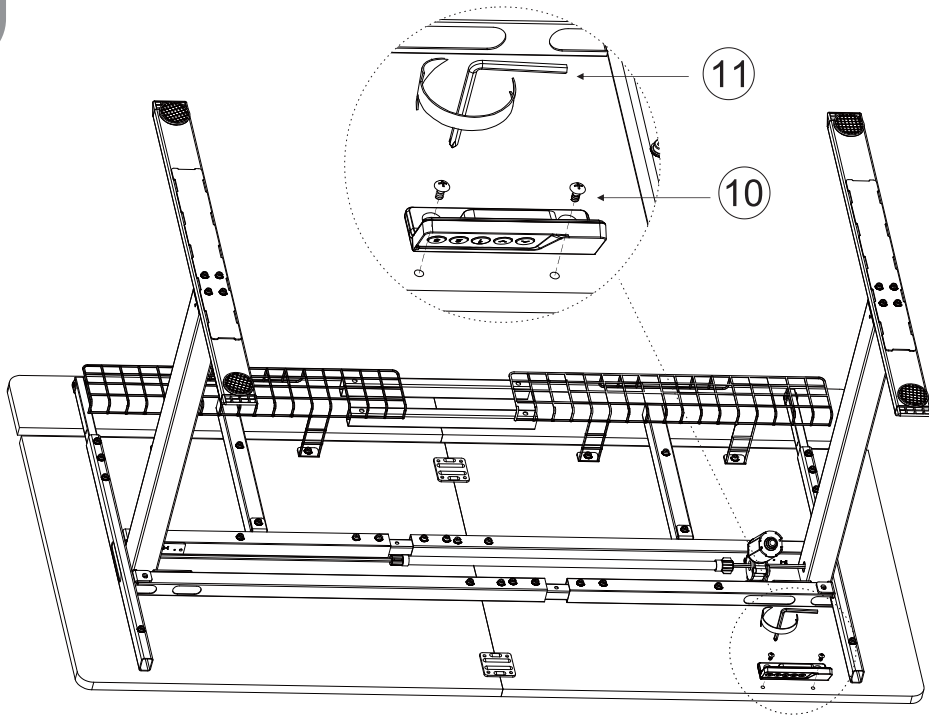
Please note that the opening of component K should face the rear.

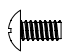
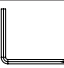
Step 19



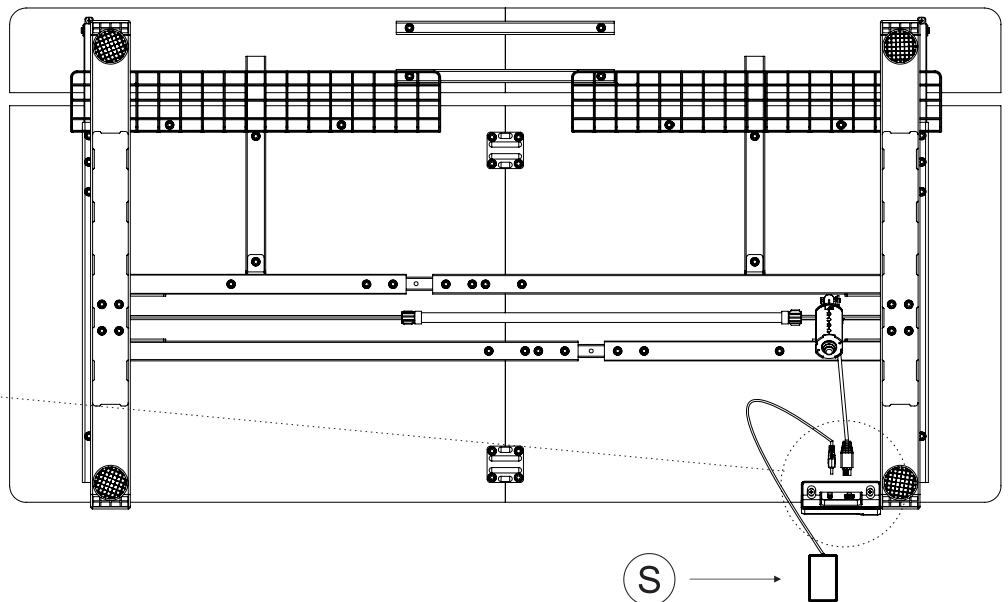
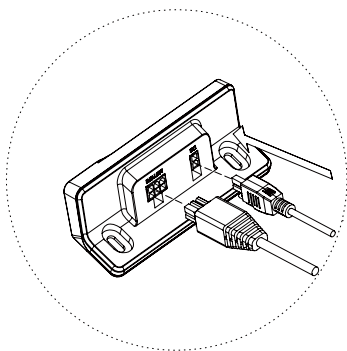
Note: Do not fully tighten the screws until all of them are in place.

Step 20



10		X2
11		X1

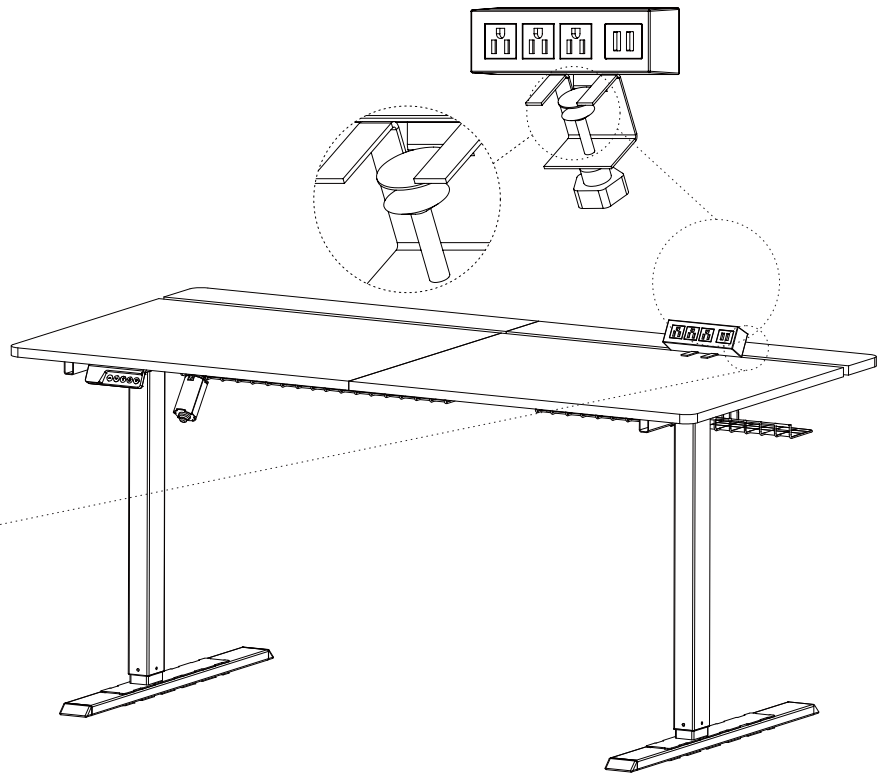
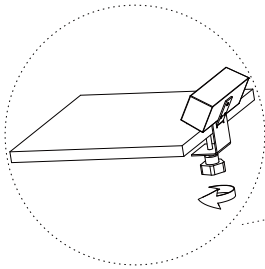
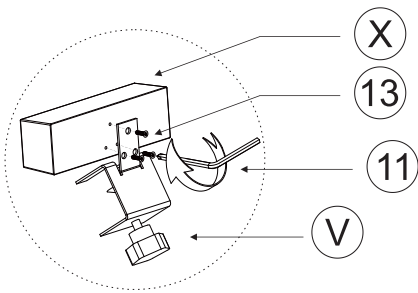
Step 21





Note: Do not fully tighten the screws until all of them are in place.

Step 22

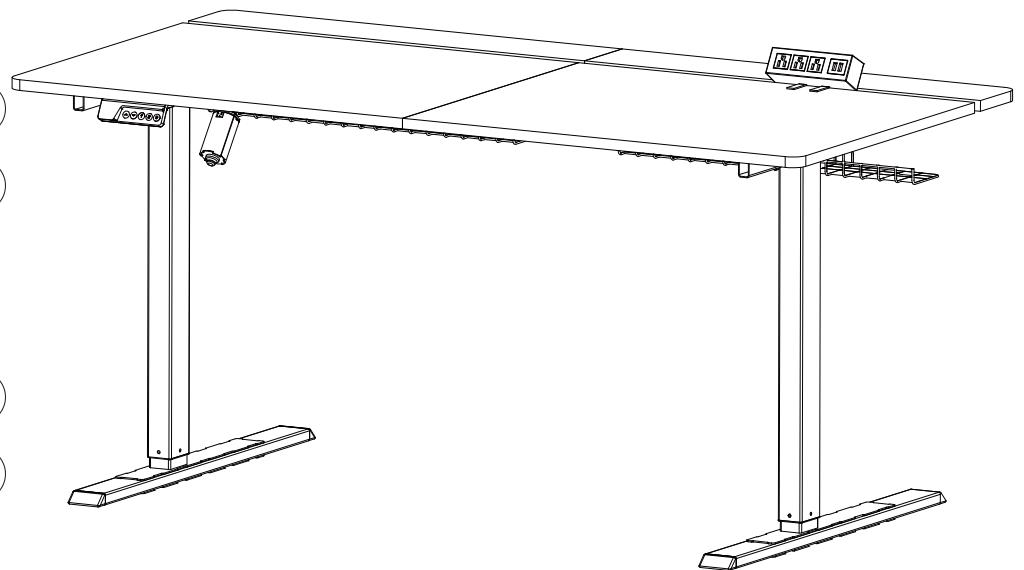
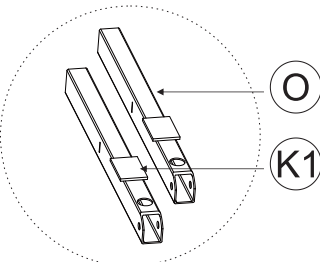
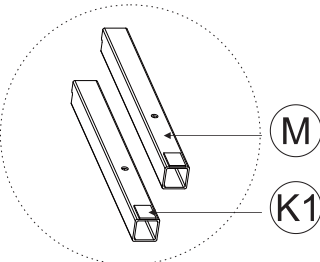
Gaskets are included in package V and can be used to protect the tabletop from damage if needed.



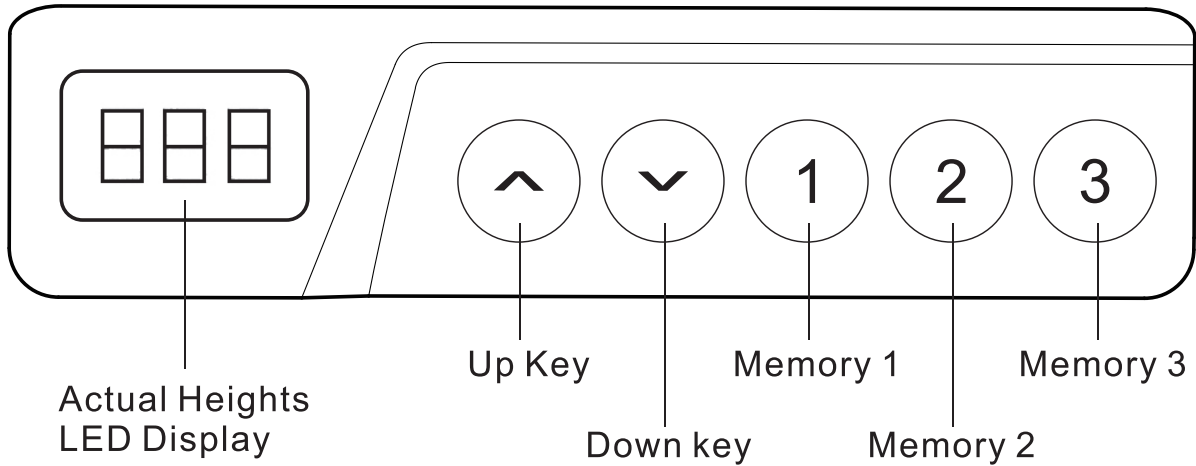
11		X1
13		X3

Step 23

If the back table sounds too loud when moving up and down, you can both O and M to reduce the noise.



Controller Guidelines



<p>Initialization Operation/Reset</p>	<p>Press and hold the "↓" button. The desktop will begin to move downward. When the controller displays the lowest height value, continue holding the button for 5 seconds. The controller will then display "rES", indicating that the reset process has started. Please continue to wait until the controller displays the minimum height value again, indicating that the reset is complete.</p>
<p>Raise the Desk</p>	<p>Press and hold the "↑" button. The desktop will move upward until it reaches the highest position or the button is released.</p>
<p>Lower the Desk</p>	<p>Press and hold the "↓" button. The desktop will move downward until it reaches the lowest position or the button is released.</p>
<p>Store Position</p>	<p>Press and hold the numeric button (1 / 2 / 3) for 3 seconds. The controller will display H1 / H2 / H3, indicating that the memory position is being set. After 2 seconds, the display will automatically return to the current height value, indicating that the memory height has been saved successfully.</p>
<p>Select Height Setting</p>	<p>Press a number button to recall the corresponding height. The controller will first display the target height value. After 0.5 seconds, the desktop will automatically move to the target position.</p>

Child Lock
and Unlock

Press and hold "↑" + "↓" until "LoC" appears to lock the controller. Press and hold "↑" + "↓" again until the height is displayed to unlock.

Error Code Guidelines

Error	description	How to solve it
rES	The LED display flashes "rES"	Reset
E31	Voltage low	Replace the power supply
E32	Voltage high	Replace the power supply
Hot	Overheat	Power off and restart
E10	Motor wire not connected	Check the connection cable
E20	Overload	Reduce the load

If you have any problems installing or using your standing desk, do not hesitate to contact us.

Email: [**cs@deskshow.team**](mailto:cs@deskshow.team)

Warning

The manufacturer and seller explicitly disclaim any liability for any personal injury or property damage caused by the user's failure to follow the instructions for assembly, incorrect use, improper maintenance, or unauthorized modification.