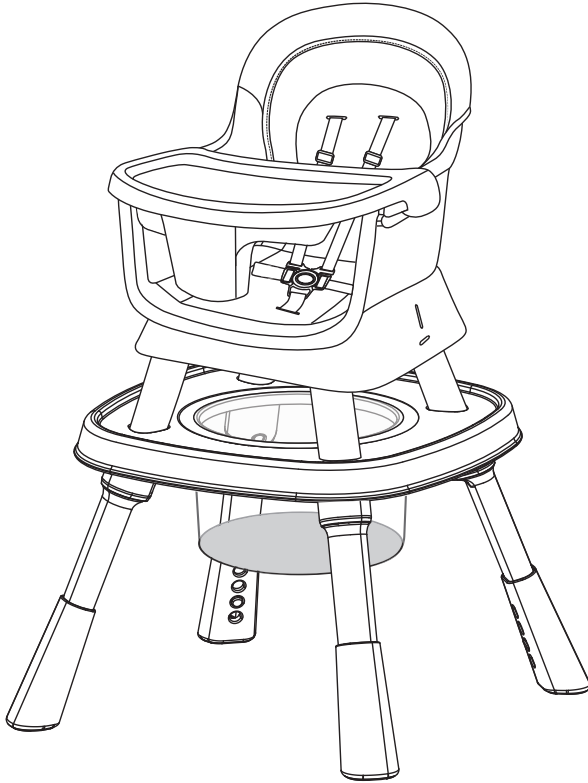


# User Manual



NATURE  
INTERNATIONALTRADING INC.  
597 BEAVER CREEK  
CT,BRIGHTON,CO 80601  
Email Add:tfsservices@163.com

BABY HIGH CHAIR  
Model:ETD045

**IMPORTANT! KEEP INSTRUCTION  
MANUAL FOR FUTURE USE.**



# CONTENTS

<b>Warning</b> .....	01
<b>Parts list</b> .....	03
<b>Different use for baby in different age</b> .....	04
<b>Small dining chair installation step</b> .....	06
<b>High chair installation procedure</b> .....	07
<b>Youth stool installation procedure</b> .....	08
<b>Building block table &amp; study table installation step</b> .....	09
<b>Activity center installation step</b> .....	10
<b>Booster seat installation step</b> .....	14
<b>Using the safety harness</b> .....	14
<b>Maintenance</b> .....	15
<b>Cleaning</b> .....	15
<b>After-sales support</b> .....	15

# WARNING

**FALL HAZARD:** Children have suffered severe head injuries including skull fractures when falling from high chairs. Falls can happen suddenly if child is not restrained properly.

- Always use restraints, and adjust to fit snugly.
- Tray is not designed to hold child in chair.
- Stay near and watch child during use.
- Position the high chair away from solid structures and benches to avoid injuries caused by falls and by access to dangerous items.
- Do not use this high chair until the child can sit up unaided.
- Do not lift the high chair when the child is in the chair.
- Use high chair on flat stable surfaces only.
- The child should be secured in the high chair at all times by the restraint system.
- It is recommended that the high chair be used only by children capable of sitting upright unassisted.

Children have suffered head injuries, including skull fractures, after falling with or from booster seats.

- Check that booster seat is securely attached to adult chair before each use.
- Always use restraints until child is able to get in and out of booster seats without help. Adjust to fit snugly.
- Never allow child to push away from table.
- Never lift and carry child in booster seat.
- Prevent serious injury or death. Do not use in motor vehicles
- Only attach the booster seat to a vertical back and rigid seat surface adult chair, never for use with leather or padded chairs.
- Size of the connection to the adult chair-Minimum seat width: 17.8" and depth: 15.7", minimum backrest height: 20"
- Until child is able to get in and out of the booster seat without help (about 2 1/2 years old), the child should be secured in the booster seat at all times by the restraining system. The tray is not designed to hold the child in the chair.

- Use this product only for children capable of sitting upright unassisted.

## **FALL HAZARD**

Babies can FALL from product resulting in head injuries.

- NEVER leave child unattended. Always keep child in view while in product.
- NEVER use near stairs.
- To avoid tip over, place product on a flat, level surface.

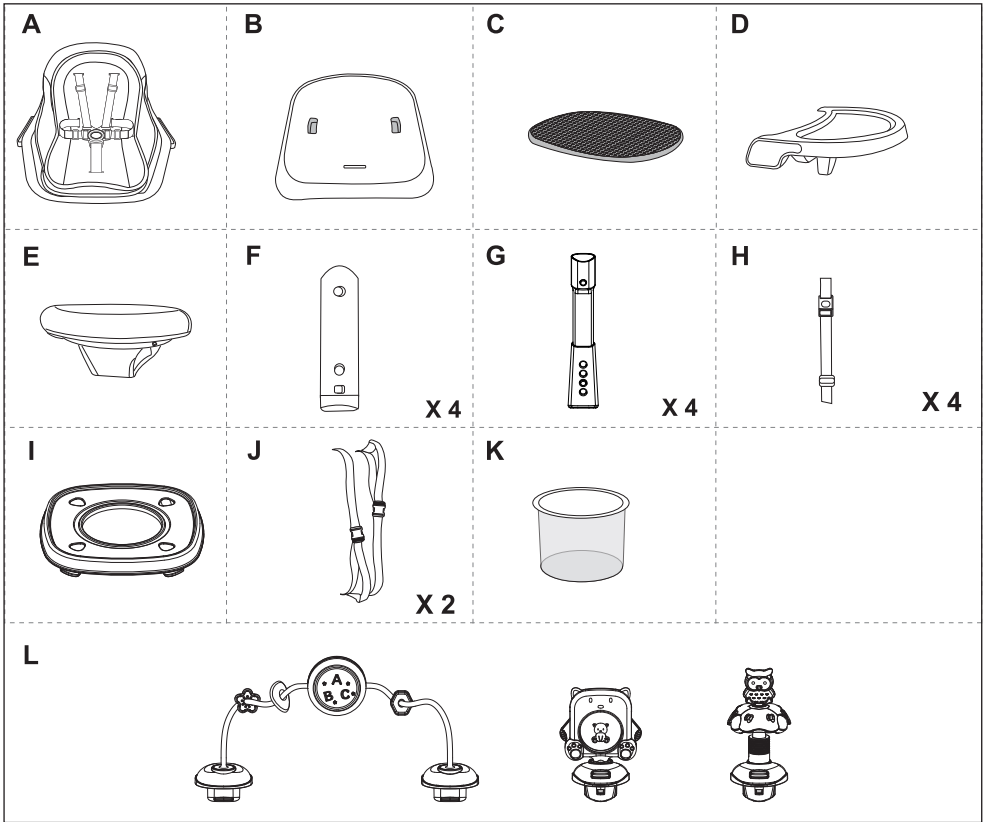
## **STRANGULATION HAZARD**

Strings can cause STRANGULATION.

- DO NOT place items with a string around child's neck, such as hood strings or pacifier cords.
- DO NOT suspend strings over product or attach strings to toys.
- The developmental criteria to begin using the product when the child can hold his head up unassisted at a minimum. And discontinue using the product as a stationary activity center such as when the child begins to walk unassisted.

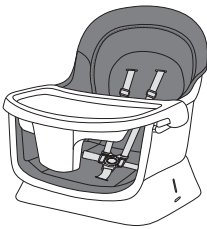
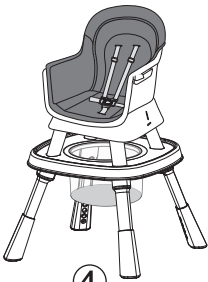


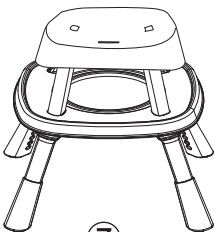
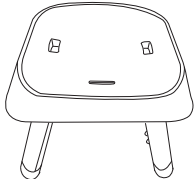
# PARTS LIST:

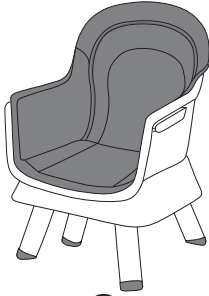
Read all instructions before assembling and using the product. Never use this product if any parts are missing, amaged, or broken. Contact seller for replacement parts and instructional literature if needed.  
Never substitute parts.



- |                      |                                  |                                |
|----------------------|----------------------------------|--------------------------------|
| <b>A</b> Chair seat  | <b>B</b> Seat base               | <b>C</b> Multipurpose board    |
| <b>D</b> Dining tray | <b>E</b> Triangular seat cushion | <b>F</b> Short leg             |
| <b>G</b> Long leg    | <b>H</b> Pedal adjustment strap  | <b>I</b> Desktop               |
| <b>J</b> Fixed strap | <b>K</b> Storage basket          | <b>L</b> Toys (optional parts) |

# DIFFERENT USE FOR BABY IN DIFFERENT AGE:

 <p>①</p>	 <p>②</p>	 <p>③</p>
<p>Feeding High Chair 6-24 moths</p>	<p>Small Dining Chair 6-24 moths</p>	<p>Infant Booster 6-24 moths</p>
 <p>④</p>	 <p>⑤</p>	 <p>⑥</p>
<p>Baby High Chair &gt;24 moths</p>	<p>Toddler Chair &gt;24 moths</p>	<p>Booster Seat &gt;24 moths</p>
 <p>⑦</p>	 <p>⑧</p>	 <p>⑨</p>
<p>Youth Stool &gt;3 years</p>	<p>Kid Stool &gt;3 years</p>	<p>Toddler Booster &gt;3 years</p>



10

Youth Chair  
>24 moths



11

Study Table  
>24 moths



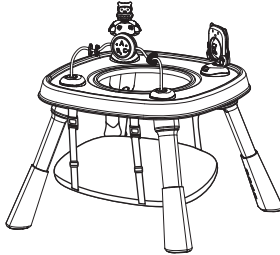
12

Building Block Table  
24-72 moths



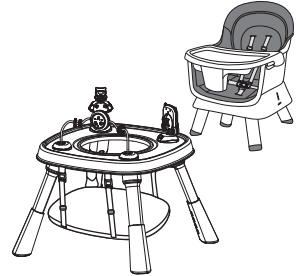
13

Assistive Standing Chair  
6-12 moths



14

Activity Center  
6-12 moths  
(When used as an activity center, be sure to use it with the board below.)

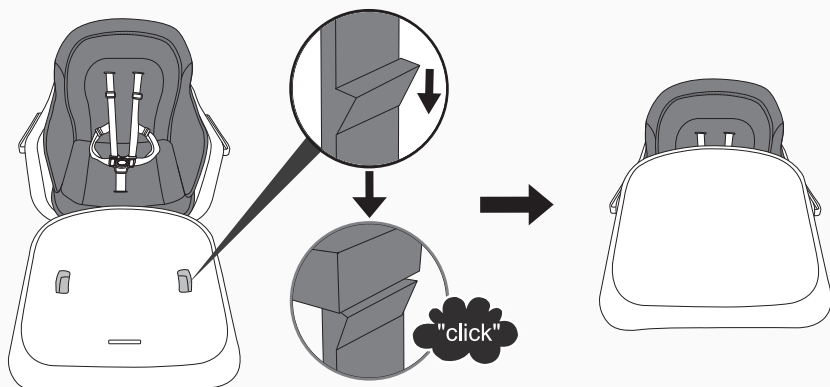


15

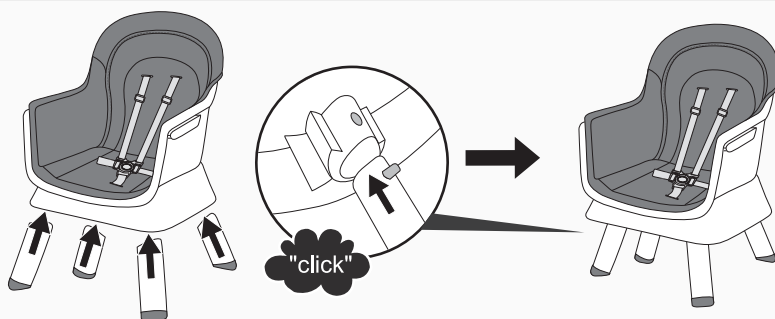
Two-kid Family

# SMALL DINING CHAIR INSTALLATION STEP:

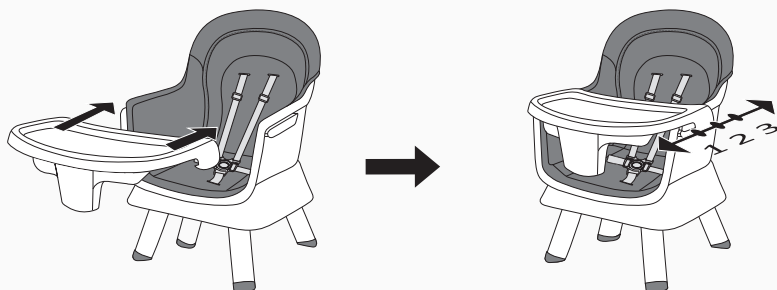
Suitable for mode ② ⑤ ⑩



1. Place the seat in the **seat base** and push it until you hear a "click" to ensure it is secured.



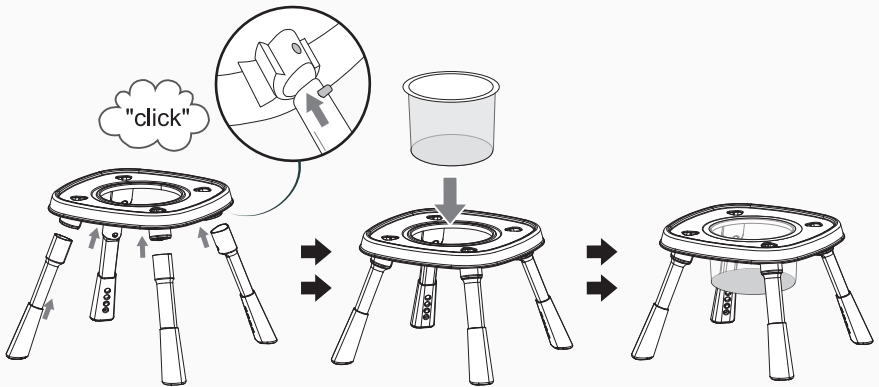
2. Insert the **short leg** into the bottom of the **seat base** until hear a "click" to ensure it clicks into place.



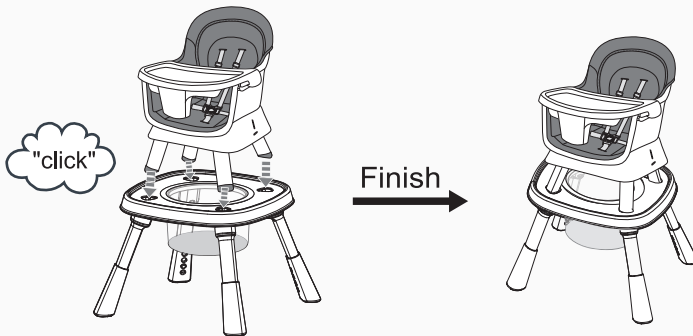
3. Push both buttons on the **tray** to insert it horizontally into the seat. The **dinner tray** can be adjusted as necessary and has three positions.

# HIGH CHAIR INSTALLATION PROCEDURE:

Suitable for mode ①④



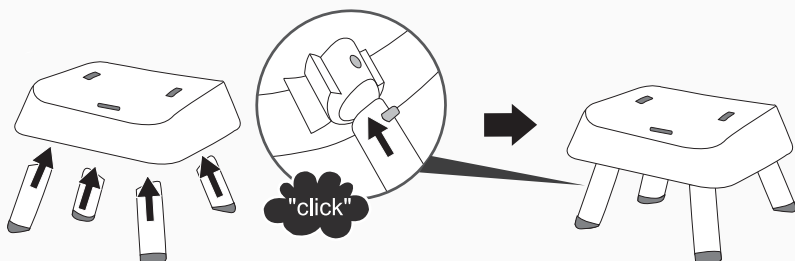
4. Insert the **long leg** into the **desktop** and listen for a "click" sound to confirm it is securely in place. Then put the **storage basket** onto the table.



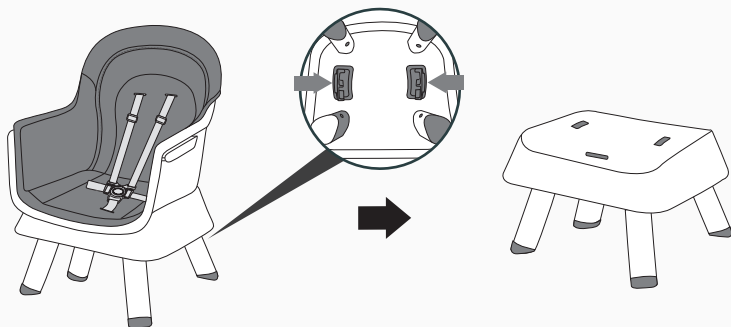
5. Place the seat of the chair on the table and listen for a "click" sound to confirm that it has been properly clicked into position.

# YOUTH STOOL INSTALLATION PROCEDURE:

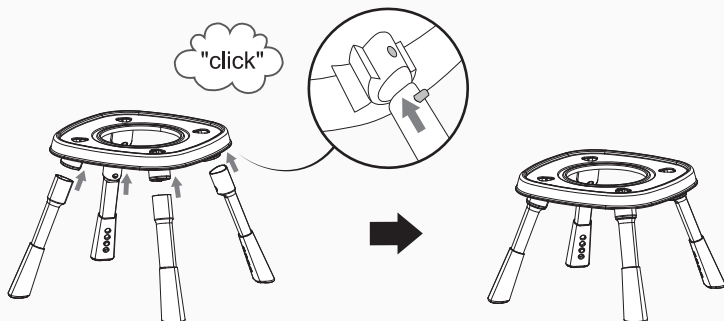
Suitable for mode ⑦⑧



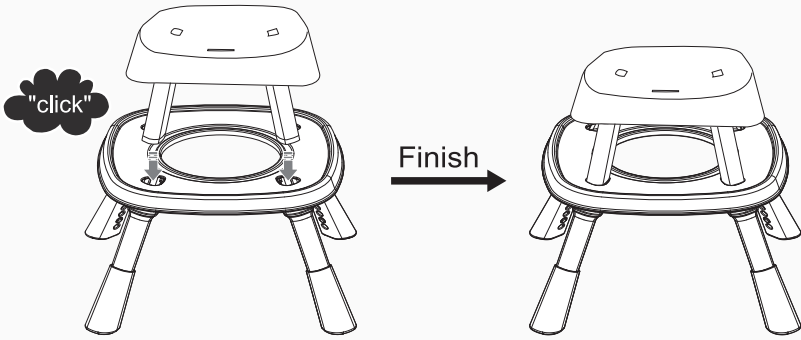
1. Insert the **short leg** into the bottom of the **seat base** until hear a "click" to ensure it clicks into place.



2. Or press the button and pull out the upper seat to separate it from the table and make it a stool.

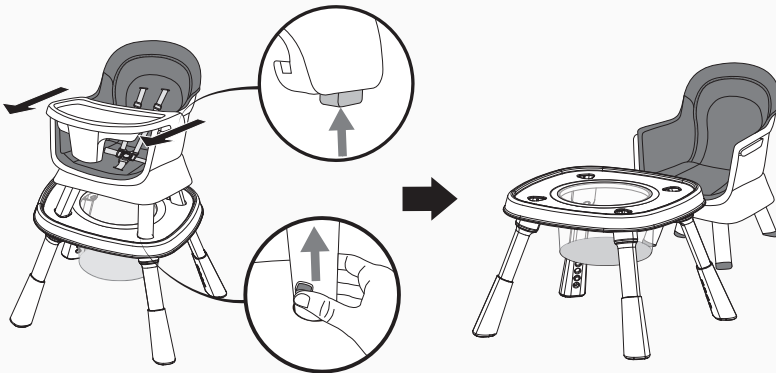


3. Insert the **long leg** into the table and listen for a "click" sound to ensure it clicks into place.

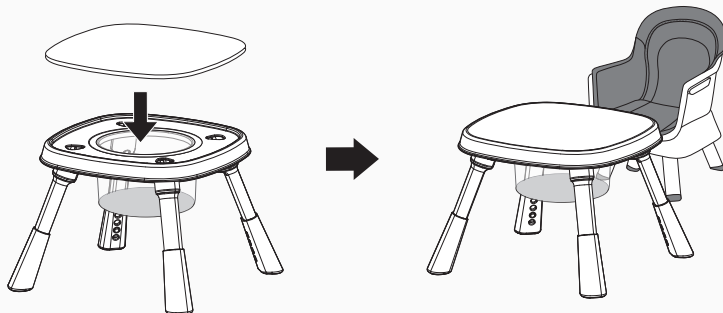


4. Place the stool on the table and listen for a "click" sound to ensure it clicks into place.

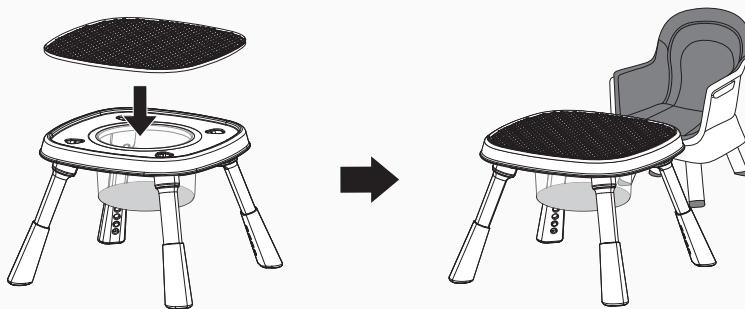
## BUILDING BLOCK TABLE & STUDY TABLE INSTALLATION STEP:



1. Press the button and pull out the **short legs** to separate the upper chair from the table.



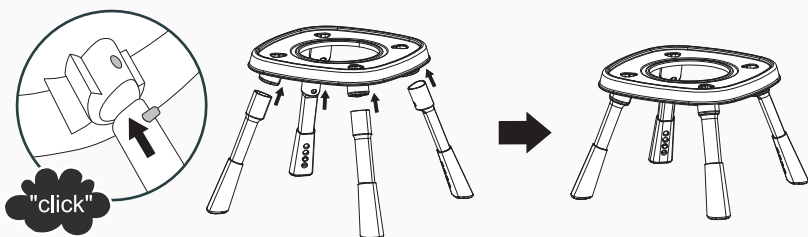
2. Cover the table with the **multifunctional board** facing up to create a **study table**.



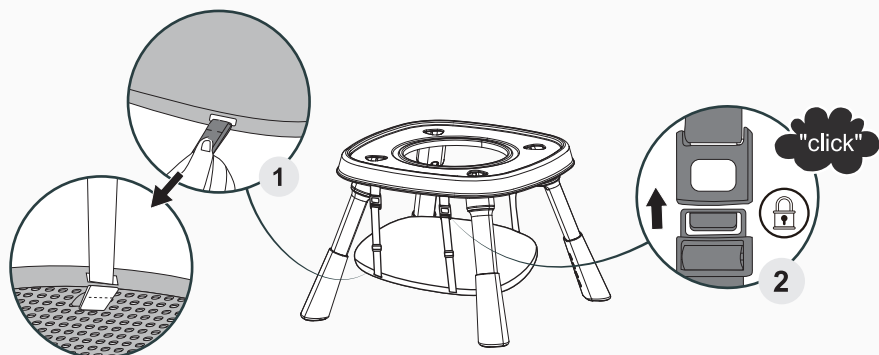
3. Cover the table with the **multifunctional board** facing down to create a **building block table**.

## ACTIVITY CENTER INSTALLATION STEP:

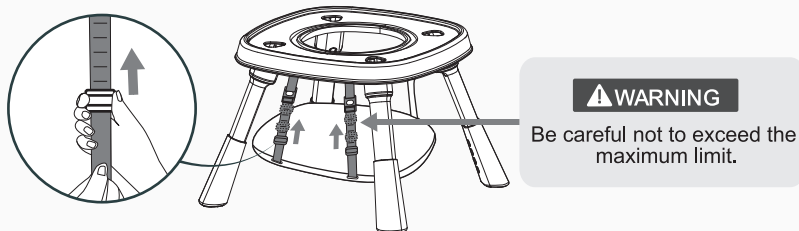
Suitable for mode ⑬ ⑭



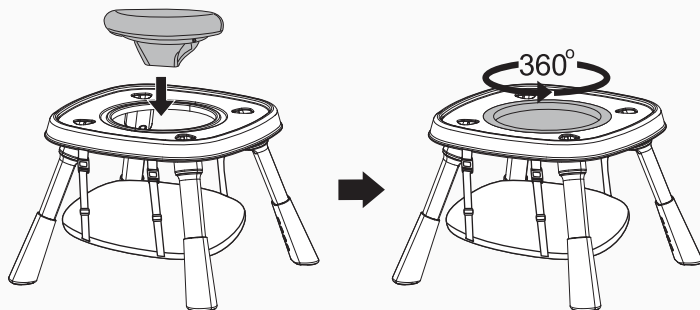
1. Insert the **short leg** into the table and listen for a "click" sound to ensure it clicks into place.



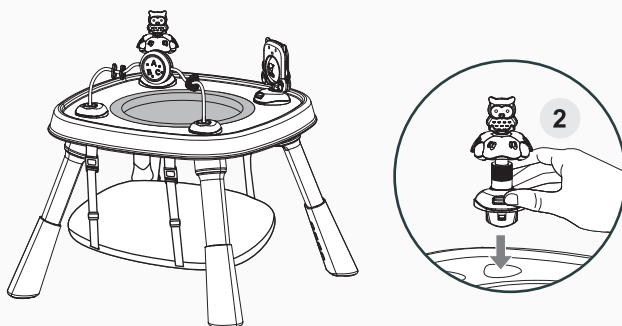
2. Thread the **adjustment strap** through the hole as shown in the picture to ensure that the strap does not loosen easily.



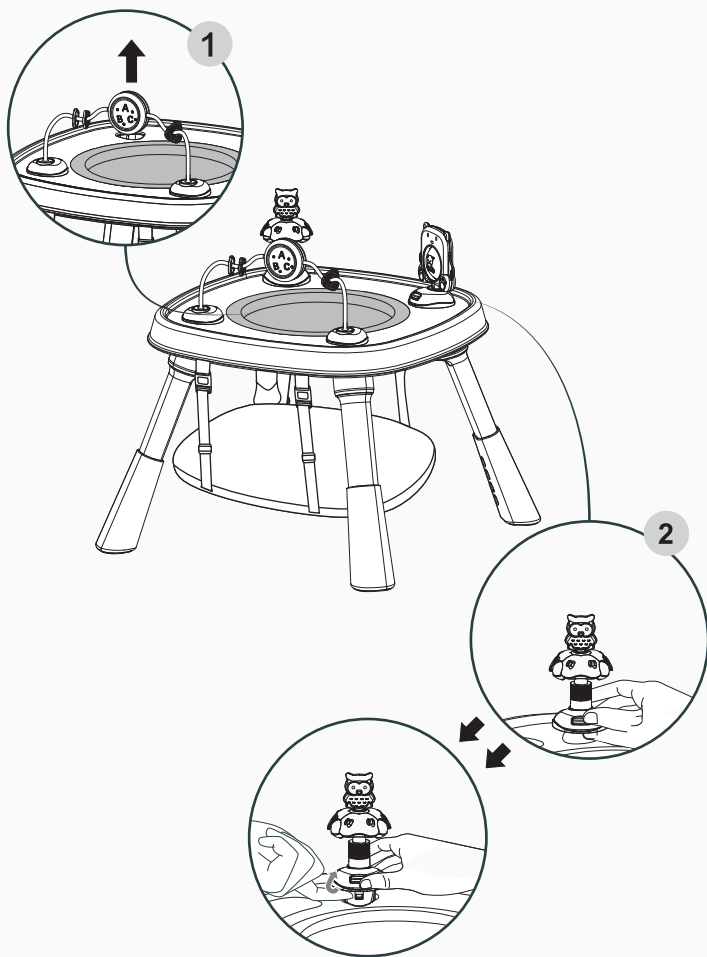
3. Adjust the position according to your baby's height and the tips on the belt.



4. Place the **triangular seat cushion** on the table and make sure the wheels under the seat fit into the slots and hear a "click" to ensure it is in place. The seat cushion can be rotated 360°.



5. Place all the **toys** in the tray exactly as shown in the picture. Hold down the button located at the base of the toy, insert it into the hole, and ensure the button is closed securely.

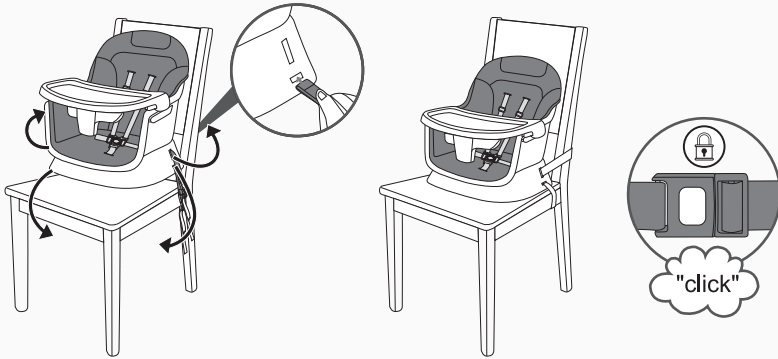


6. As shown in the picture, simply extract the toy to take it apart. Hold down the button on the toy's base and raise it slightly, creating a gap between the table and the base.

Insert your finger into the gap and pull upwards on the toy base, allowing the entire toy to be released.

## BOOSTER SEAT INSTALLATION STEP:

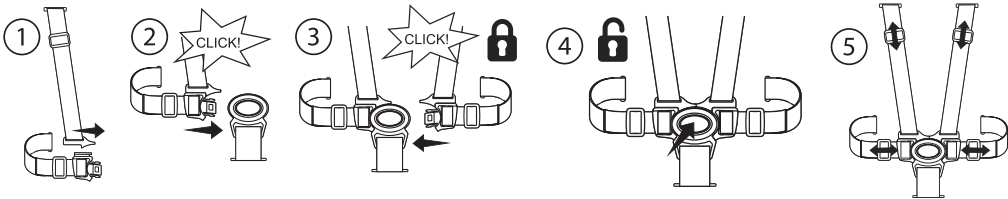
Suitable for mode ③ ⑥ ⑨



Secure the two **fixed straps** to the stool. Place the booster seat on the adult chair and attach the two **fixed straps** as shown.

## USING THE SAFETY HARNESS

1. Connect the shoulder strap buckle to the waist strap buckle. Repeat on both sides.
2. Fasten the buckle into the holder until it snaps. Verify that it is firmly fastened.
3. Repeat on the other side.
4. Press the button located in the middle of the buckle to release the child from the harness.
5. Adjust the length of the shoulder and waist straps and move the sliders as indicated.



## MAINTENANCE:

- The correct use and maintenance of this highchair is essential.
- This product requires regular maintenance to keep it in good working order.
- Regularly check all parts of the product to ensure that they are operating correctly and for signs of wear or damage.
- Do not use this product if any parts are broken, torn or missing and use only spares provided by the manufacturer.

## CLEANING:

- **Frame:** Wipe with a damp cloth and wipe dry with a soft cloth.
- When cleaning the cloth cover, please directly use a brush or damp cloth to remove stains. When cleaning other parts, please use household soap or neutral detergent.
- **Harness:** Sponge clean with a mild soap and water solution. Rinse and wipe dry.
- Never clean any part of highchair with abrasive, ammonia based, bleach based or spirit type cleaners.
- Ensure the product is fully dry before use or storage.
- Always ensure the highchair is stored in a dry place to prevent mold or mildew developing.

## AFTER-SALE SUPPORT

If you have any questions, please send an email to our store with the order number and other details about the problem.



US Importer:

Company Name: NATURE INTERNATIONAL  
TRADING INC.

597 BEAVER CREEKCT, BRIGHTON, CO 80601

TEL: 1-201-588-5253

E-mail: [tfservices@163.com](mailto:tfservices@163.com)

Model: HC411

Company: NINGBO ZHUOKAI CHILD ARTICLES  
CO., LTD.

Add: No.608, Yuanqu 1st Road, Shigongshan  
Village, Longshan Town, Cixi city, Zhejiang  
province, China.

Made in China

