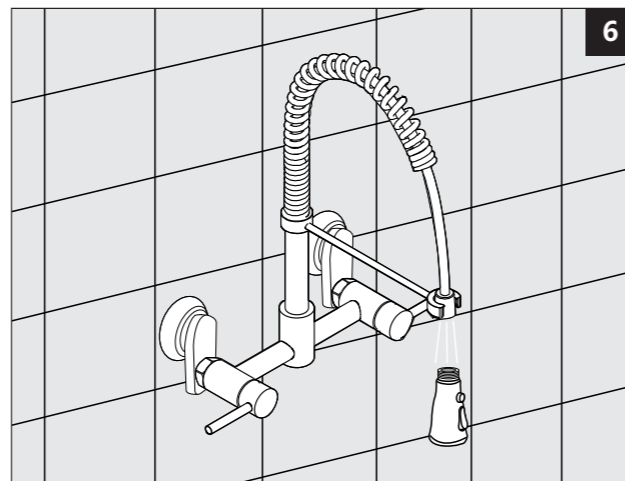
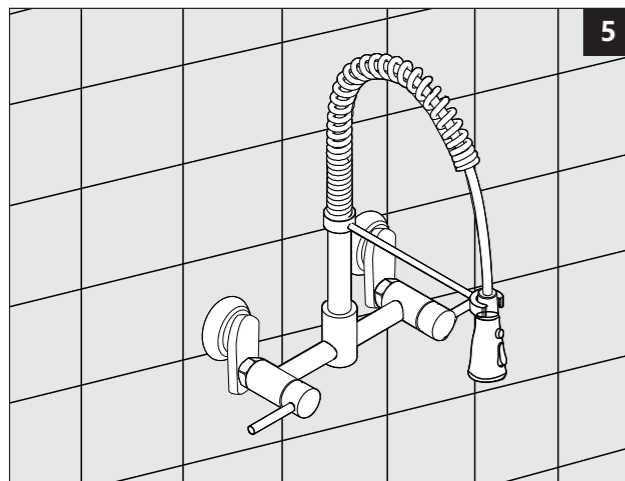
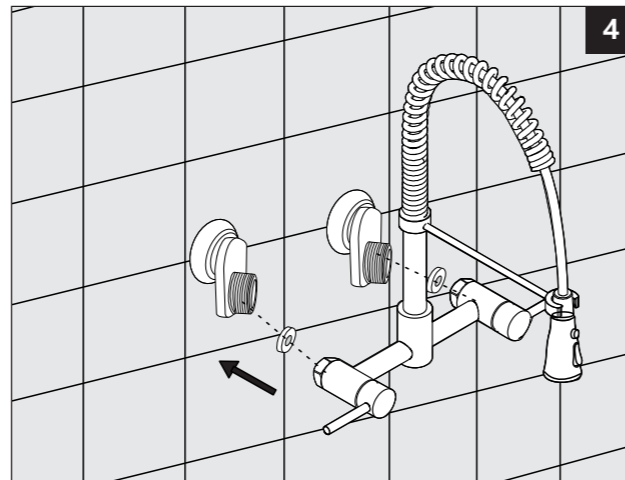
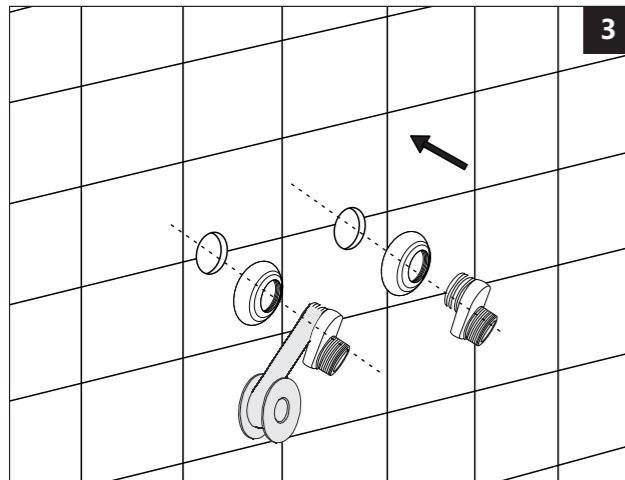
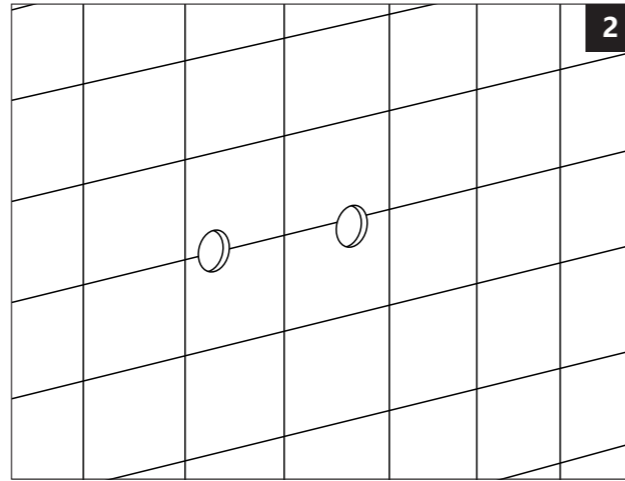
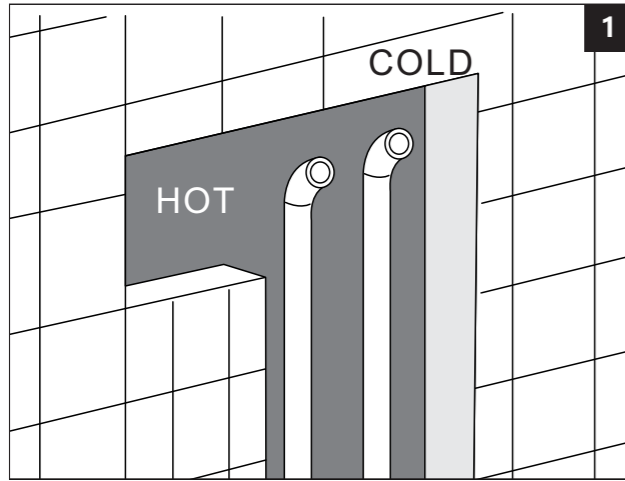
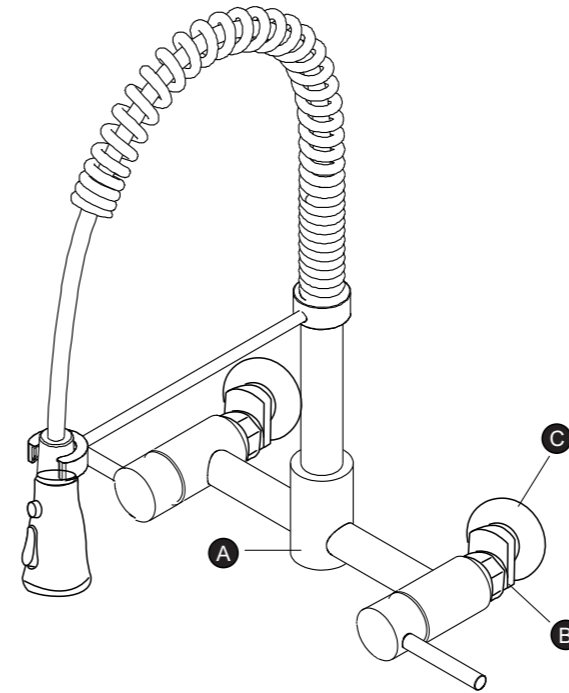


## INSTALLATION STEPS



## PARTS LIST



No.	Description
A	Faucet Body
B	Z-shaped Flex-Foot
C	Mounting Screw Nut

## WALL MOUNTED KITCHEN FAUCET

Installation instruction



MB/BN/BG/CH/ORB

### CARE INSTRUCTIONS

Rinse the product with clear water. Dry the product with a soft cloth.

### DO NOT:

Use abrasive cleansers, cloths, or paper towels. Use any cleaning agents containing acid, polish, wax, alcohol, ammonia, bleach, solvent or any other corrosive or harsh chemical cleansers.

### RECOMMENDED TOOLS

Plumber's putty



Thread seal tape



Included

