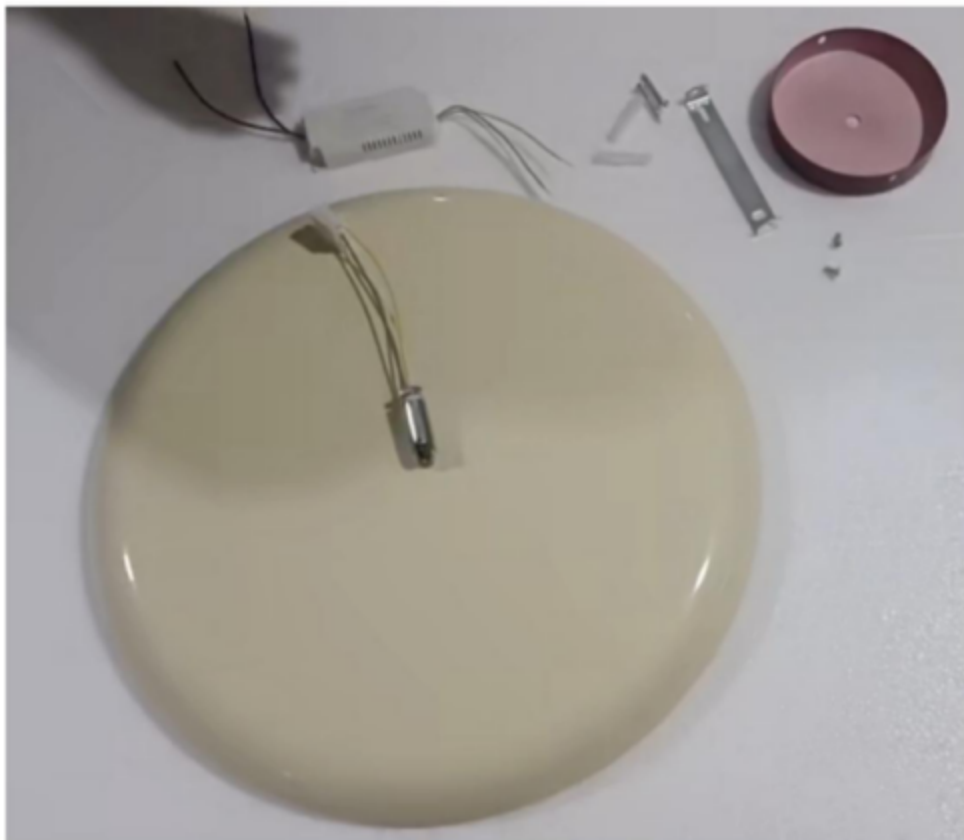


Assembly Instructions for **Model 1747589**



Assembly Method

1. All components of the light fixture are as follows:



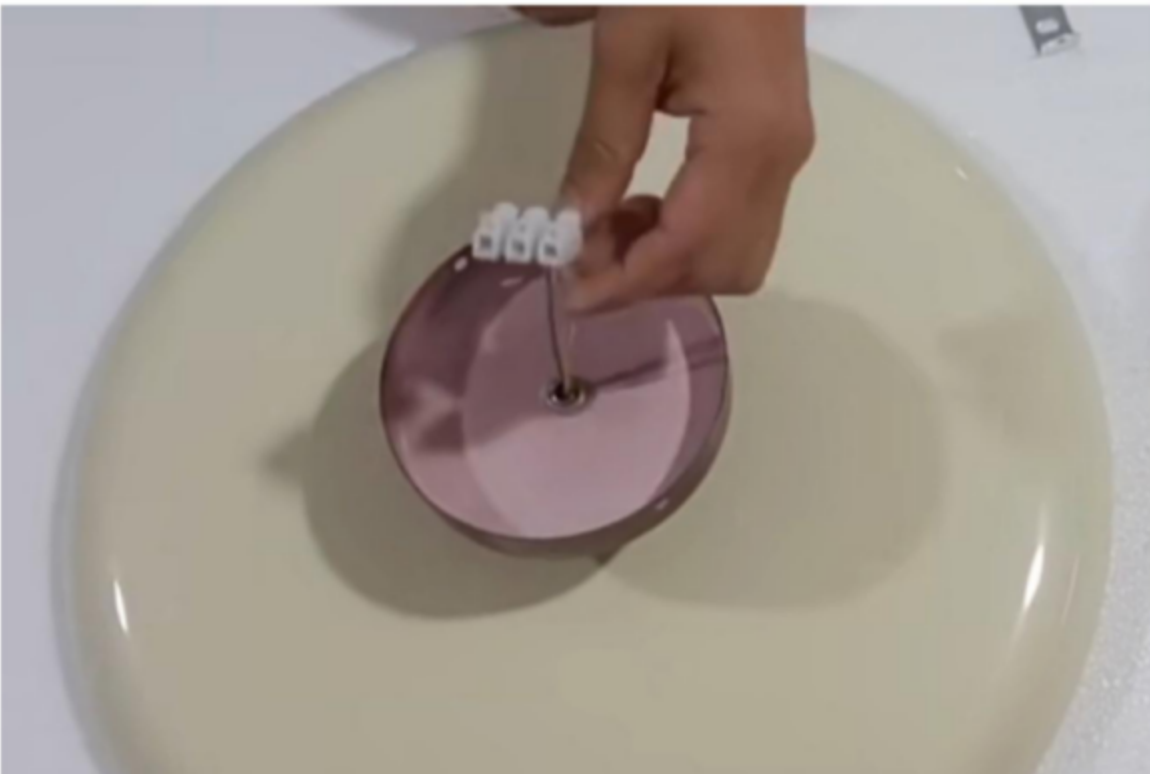
2. Remove the nut from the light cord.



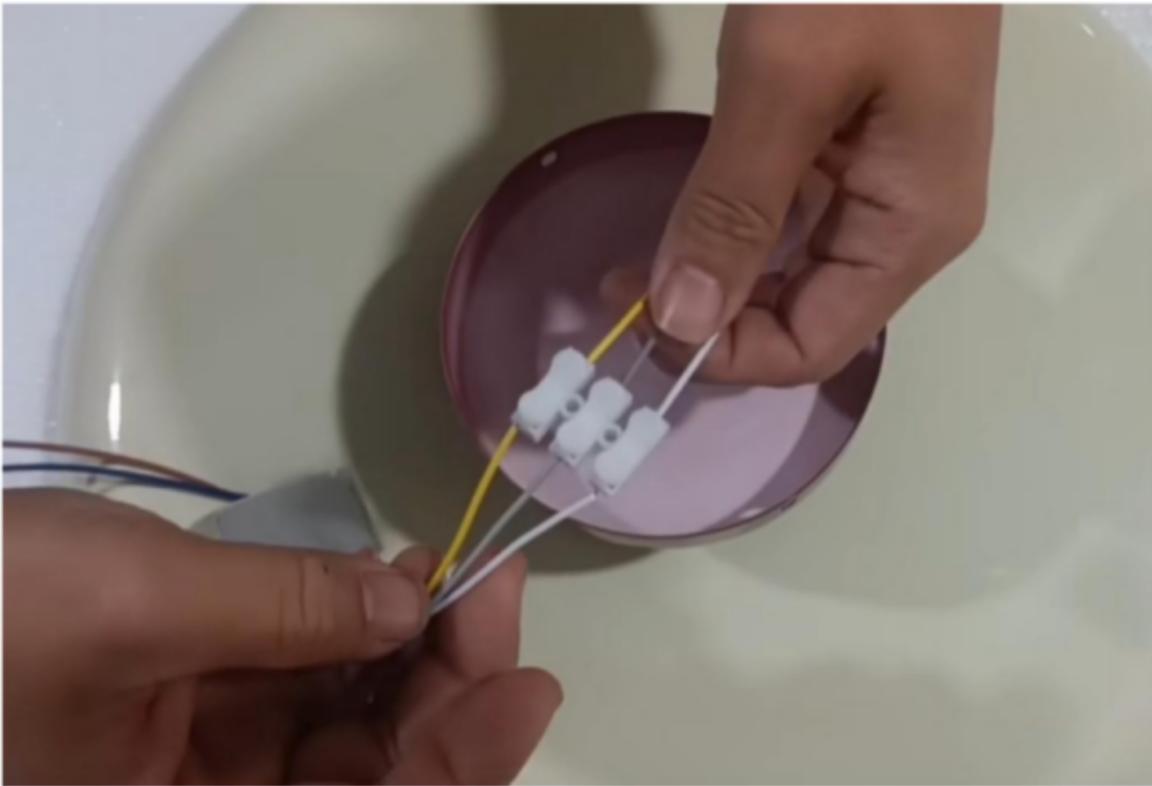
3. Connect the ceiling plate and tighten the nuts.



4. Connect the three wires to the terminal block.



5. Locate the output terminal of the LED driver and connect the three wires of the same color to the terminal block.



6. Place the LED driver and lamp wires inside the ceiling plate.



7. Locate the mounting bracket.



8. Drill holes in the ceiling and fix the mounting bracket.



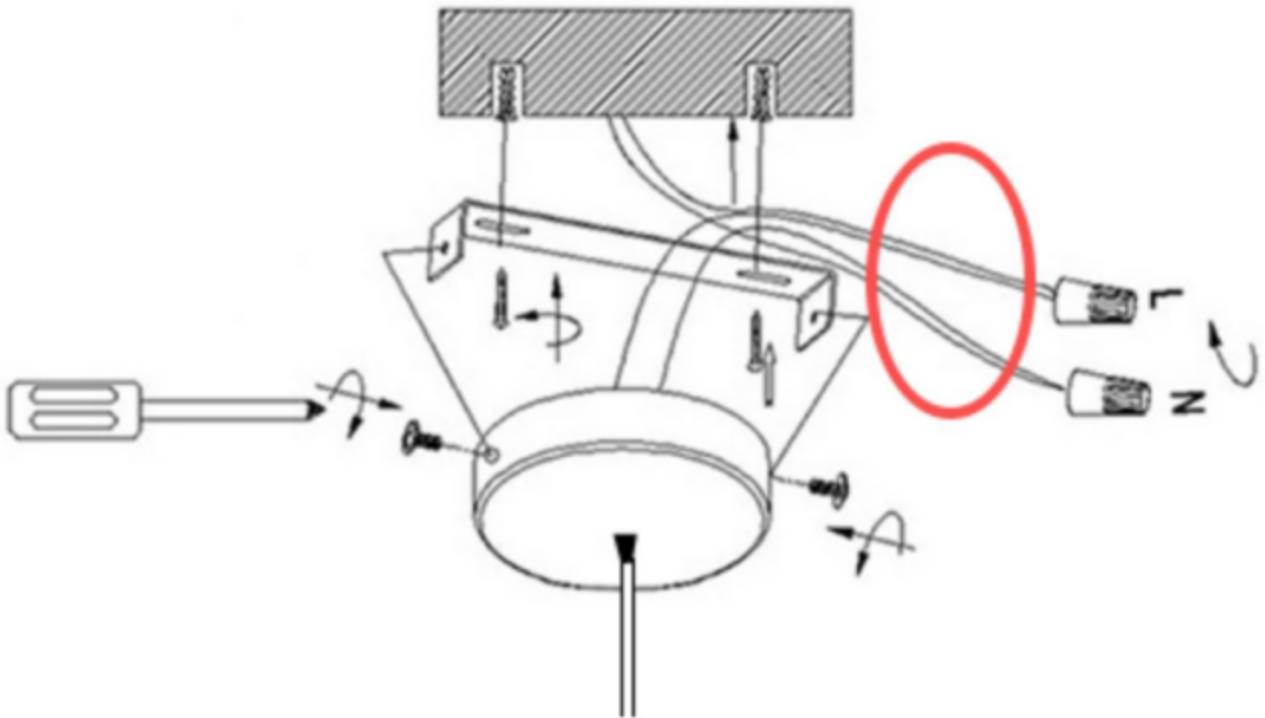
Please refer to the actual product for color and shape. The drawings are only for reference for installation steps and methods.

9. The fixing and wiring method is shown in the figure.

Connect the live wire L to the red wire of the lamp.

Connect the neutral wire N to the blue wire of the lamp.

Cover the exposed wires with wire connectors or electrical tape.



The installation is complete.

Your fixture is now assembled and ready to use.