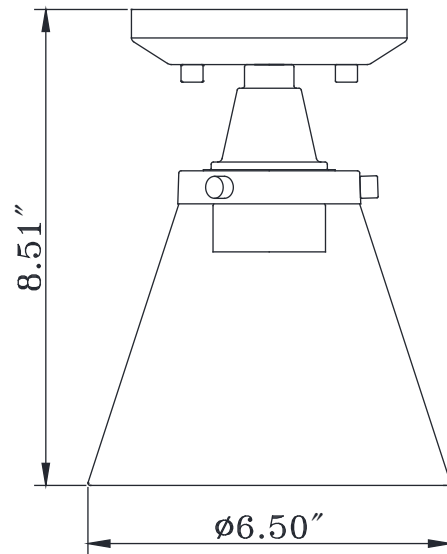


142.50 mm

FLUSH MOUNT

Please completely comply with this instructions and notes, to ensure that the product is operated in a safe condition.



IMPORTANT SAFETY INFORMATION

WARNING: RISK OF SHOCK

Home electric current can cause painful shock or serious injury unless handled properly. For your safety, always remember to:

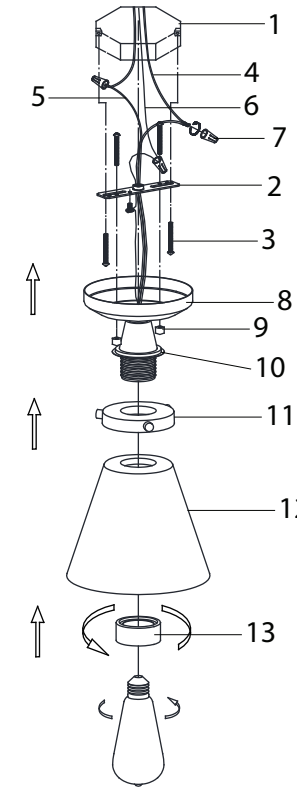
- A Turn off the power Supply at the fuse or circuit breaker box before you install the fixture.
- B Ground the fixture to avoid potential electric shocks and to ensure reliable starting.
- C Double-check all connections to be sure they are tight and correct.
- D Wear rubber soled shoes and work on a sturdy wooden ladder.

2. This fixture is designed for use in a circuit protected by a fuse or circuit breaker. It is also designed to be installed in accordance with local electrical codes. If you are unsure about your wiring, consult a qualified electrician or local electrical inspector, and check your local electrical code.

WARNING: RISK OF CUTS

- 3. Some metal parts in the fixture may have sharp edges. To prevent cuts and scrapes, wear gloves when handling the parts.
- 4. Account for small parts and destroy packing material, as these may be hazardous to children.

Installation & Assembly



FLUSH MOUNT

- 1. Outlet Box (not included)
- 2. Cross Bar
- 3. Outlet Box Screws (2 pieces)
- 4. White Fixture Wire
- 5. Black Fixture Wire
- 6. Fixture Ground Wire
- 7. Wire Nuts (3 pieces)
- 8. Canopy
- 9. Cap Nuts (2 pieces)
- 10. Fixture
- 11. Cover
- 12. Glass Shade
- 13. Socket Ring

Installing Flush Mount

1. Turn power off at circuit breaker or remove the correct fuse.
2. Mount the Cross Bar (2) to the Outlet Box (1) using the two Outlet Box Screws (3).
3. Using wire nuts (7) provided: Connect white fixture wire(s) (4) to neutral supply wire. Connect black fixture wire(s) (5) to power supply wire. connect green wire (6) from fixture to green or bare copper ground (house) wire.
4. Align the holes from the Canopy (8) with the screws on the Cross Bar (2). Attach the Canopy (8) to the Cross Bar (2), with the Cap Nuts (9).
5. Attach Cover (11) and Glass Shade (12) over the Fixture (10) and secure with Socket Ring (13).
6. Install light bulb. Use one 60 W (max.) medium-base bulb (sold separately).
7. Turn power on at circuit breaker or replace the fuse.

WARNING



This product may represent a possible shock or re hazard if improperly installed or attached in any way. Product should be installed in accordance with the owners manual, current electrical codes and/or the current National Electric Code (NEC).

RISK OF ELECTRIC SHOCK: TURN OFF THE MAIN POWER AT THE CIRCUIT BREAKER BEFORE INSTALLING.

210.00 mm