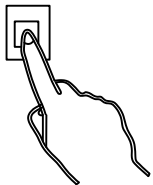
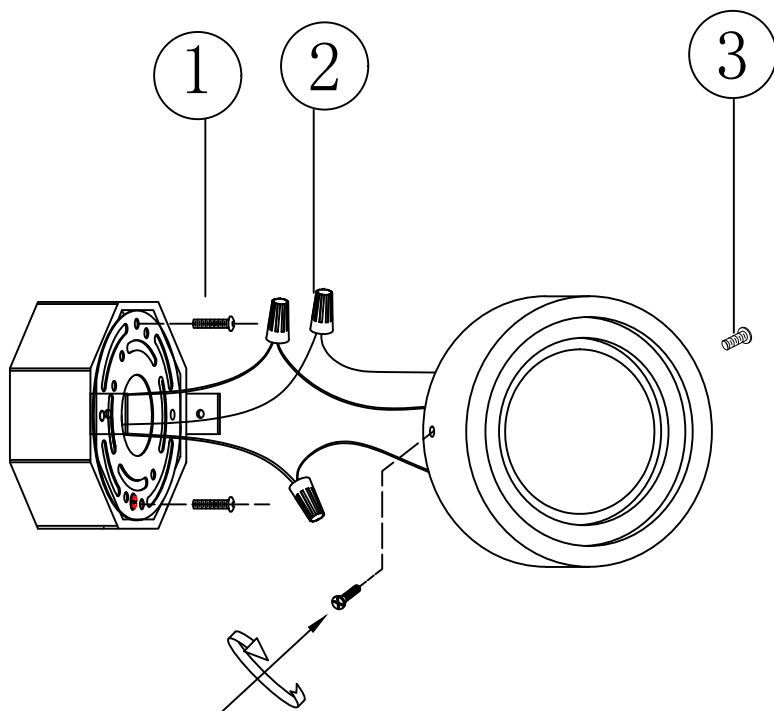


# Assembly & Installation Instructions



turn off the power



## PREPARATION before INSTALLATION:

1. If an existing fixture is being replaced, remove it and note to which wire in the outlet box the original fixture was attached.
2. Before discarding the carton, double-check the packaging to make sure all parts have been found.
3. This fixture was designed to be mounted on an octagon outlet box. The box must be securely mounted to the structure of the building.

## IMPORTANT:

1. **WARNING** - Disconnect power before relamping or wiring the fixture. Turn off the entire electrical circuit to which the lighting fixture is attached.
2. Installation and maintenance of this fixture should be completed by a licensed electrician.
3. Failure to install the fixture correctly could result in serious injury or death.
4. Read all instructions before starting installation.

## INSTALLATION STEPS:

1. Remove the mounting bracket from the lamp body. Secure the mounting bracket to the junction box with the mounting screws.
2. Connect the wires using the wire caps as follows:  
Connect the fixture **BLACK** wire to the home **LIVE/ HOT** wire.  
Connect the fixture **WHITE** wire to the home **NEUTRAL** wire.  
Secure the fixture ground wire and external ground wire to mounting bracket with green screw, then use the wire cap to connect the fixture ground wire to the external ground wire.  
**\*Note:** Ensure no bare wire is exposed to prevent leakage.
3. Align the lamp body with the holes on the mounting bracket and secure it to the mounting bracket with screws.
4. Turn on the power to check if the lamp is working properly.