

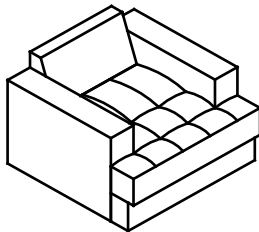
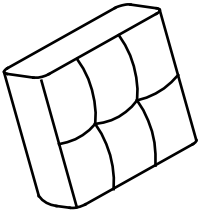
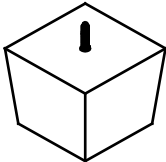
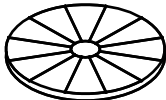


# ASSEMBLY INSTRUCTION CHAIR

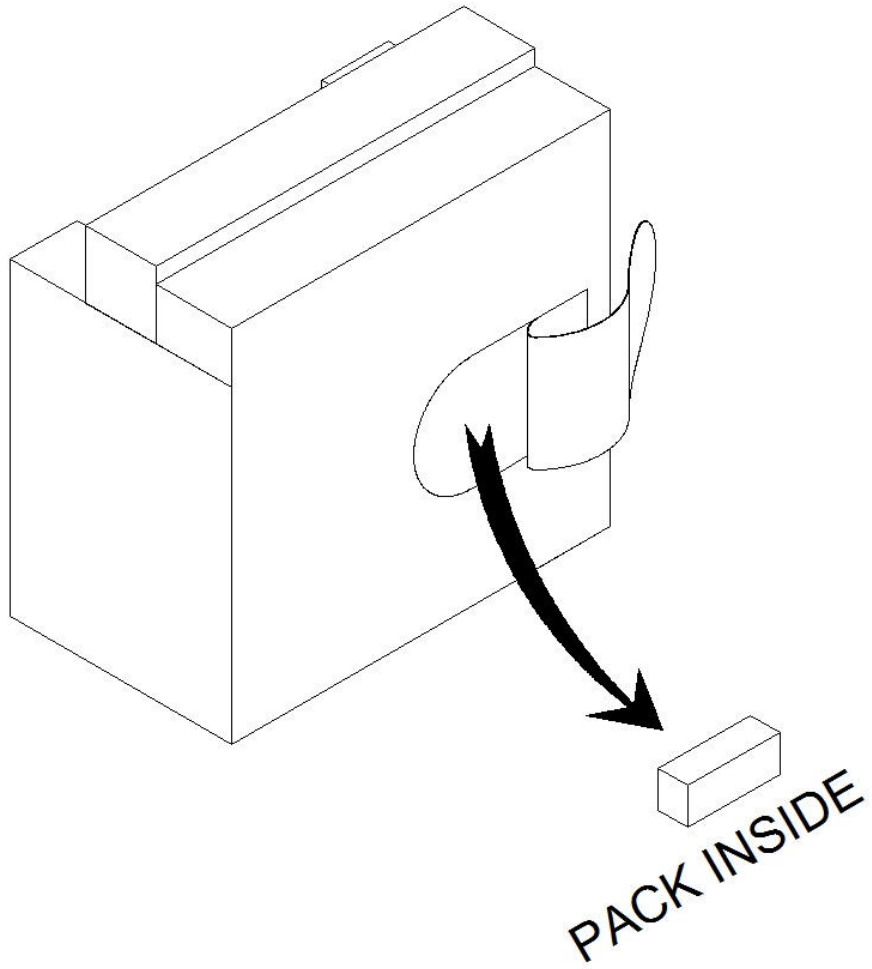


Leg and hardware are inside the box, please take out for assembly.

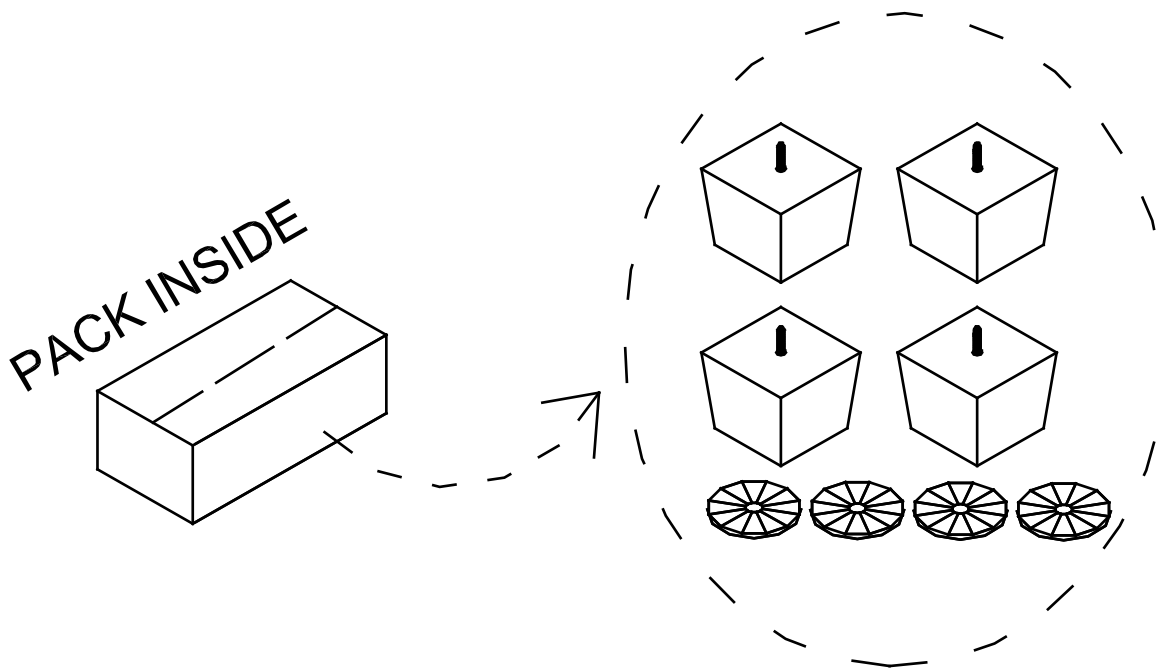
NOTE: Do not use power tools for assembly. Power tools increase the risk of over tightening which lead to splitting or cracking the wood.

NO.	DRAWING	QTY	DESCRIPTION
A		1	SEAT
B		1	BACK CUSHION
C		4	WOODEN LEG 4-3/4"*4-3/4"*4"
D		4	GASKET

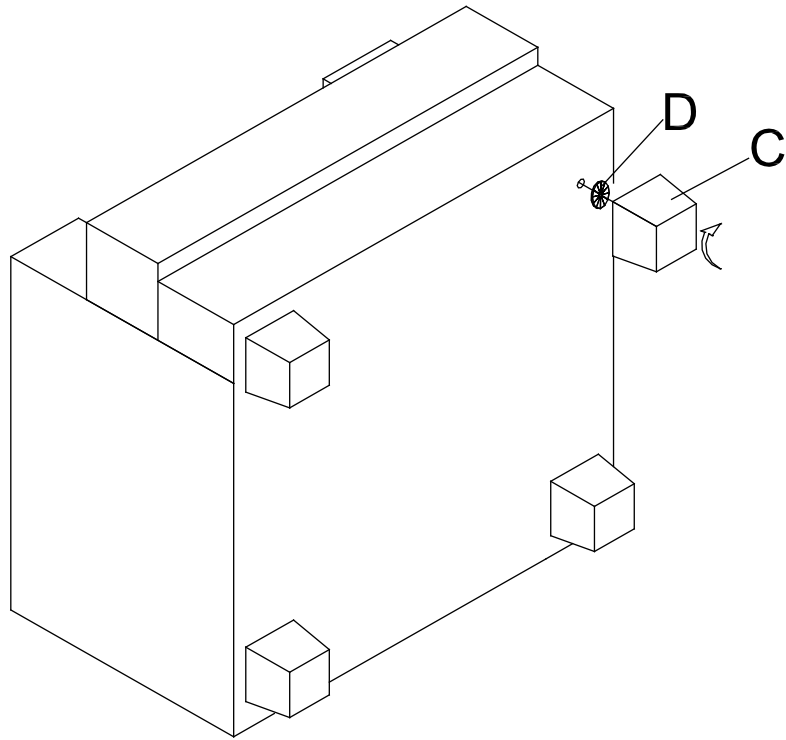
STEP 1:



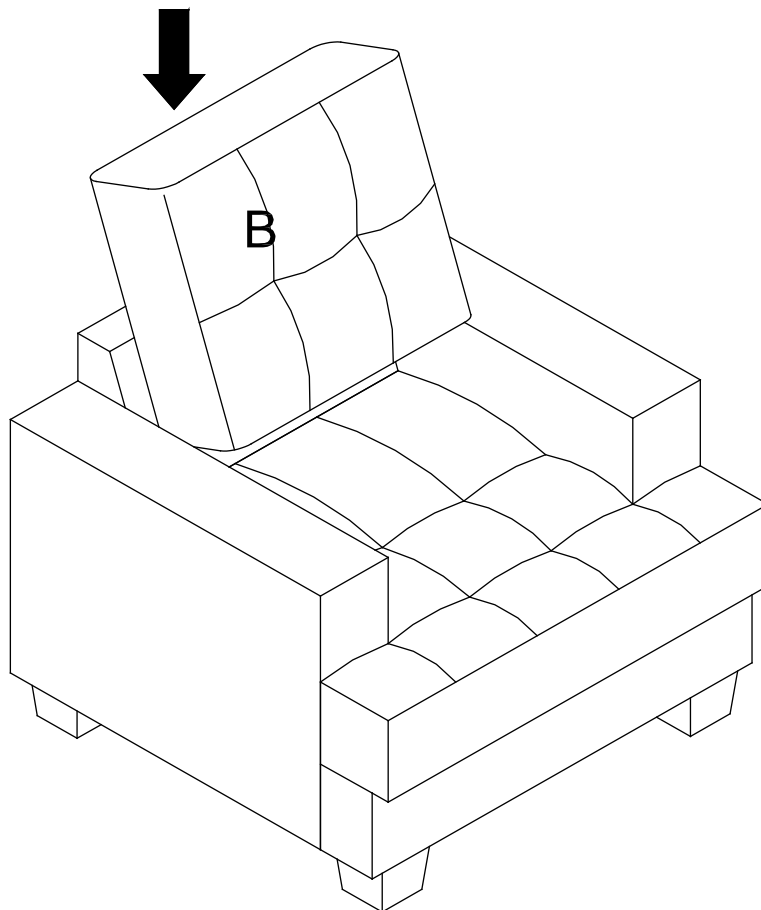
STEP 2:



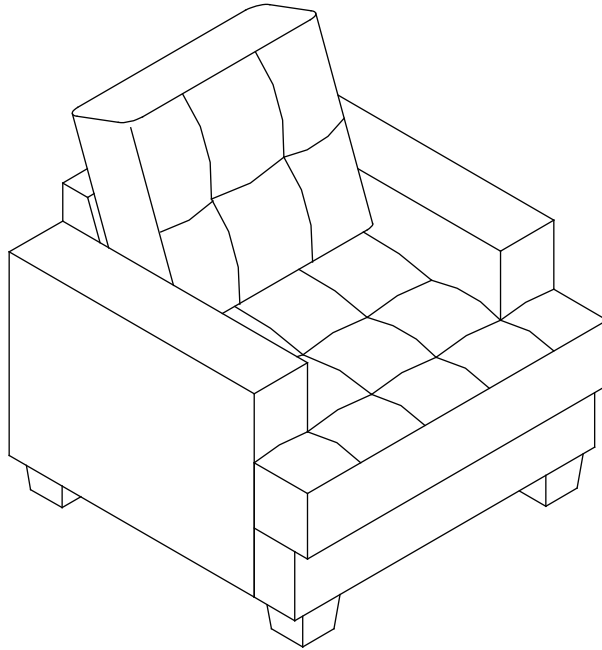
STEP 3:



STEP 4:



## STEP 5:



### **Care instruction for Leather Gel match furniture:**

In order to maintain the original appearance of your Leather Gel match furniture, please follow below simple care procedures:

- Avoid exposing furniture directly to sunlight or heating or heating conditioning outlets. Sunlight and or exposure to heating and air conditioning outlets will fade/damage Leather Gel match.
- Do not place your upholstered furniture too close to windows, radiators, or vents, and be sure to use windows, radiators, or vents.
- Vacuum or wipe with a cloth regularly to remove dust.



For items used on wooden floor, hard surfaces or carpets, it is recommended to install protective pads under all legs and supports to avoid/prevent from damages/scratches and discoloration.

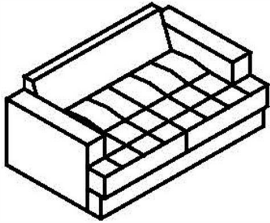
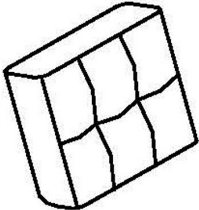
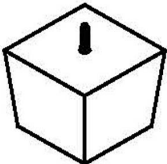
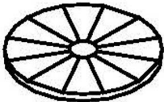
# ASSEMBLY INSTRUCTION

## LOVE SEAT

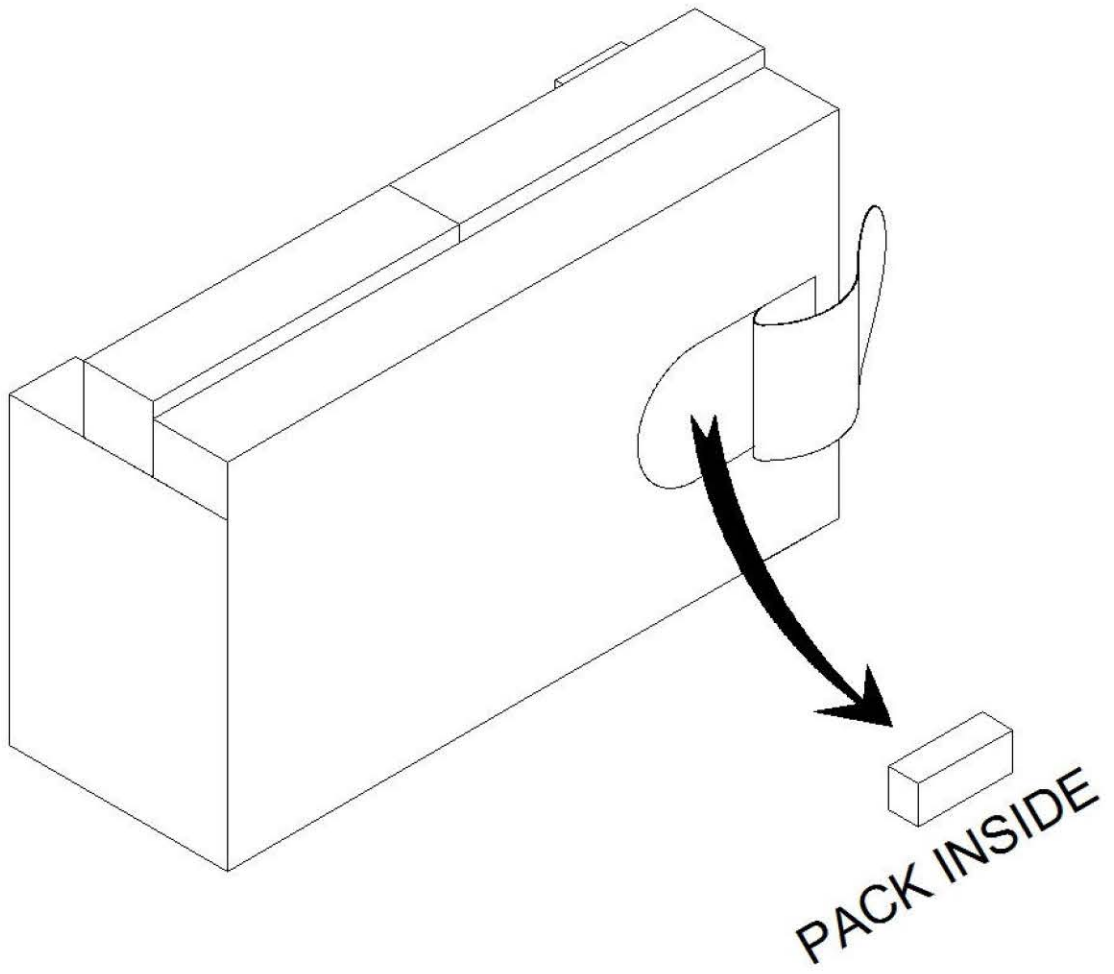


Leg and hardware are inside the box, please take out for assembly.

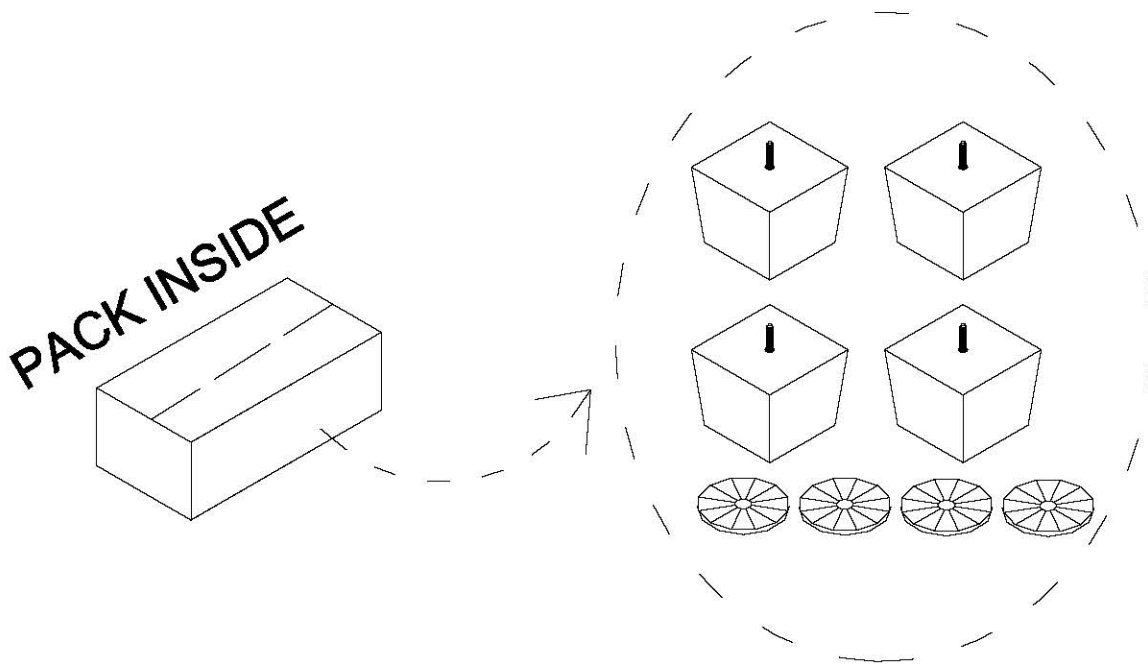
NOTE: Do not use power tools for assembly. Power tools increase the risk of over tightening which lead to splitting or cracking the wood.

NO.	DRAWING	QTY	DESCRIPTION
A		1	SEAT
B		2	BACK CUSHION
C		4	WOODEN LEG 4-3/4"*4-3/4"*4"
D		4	GASKET

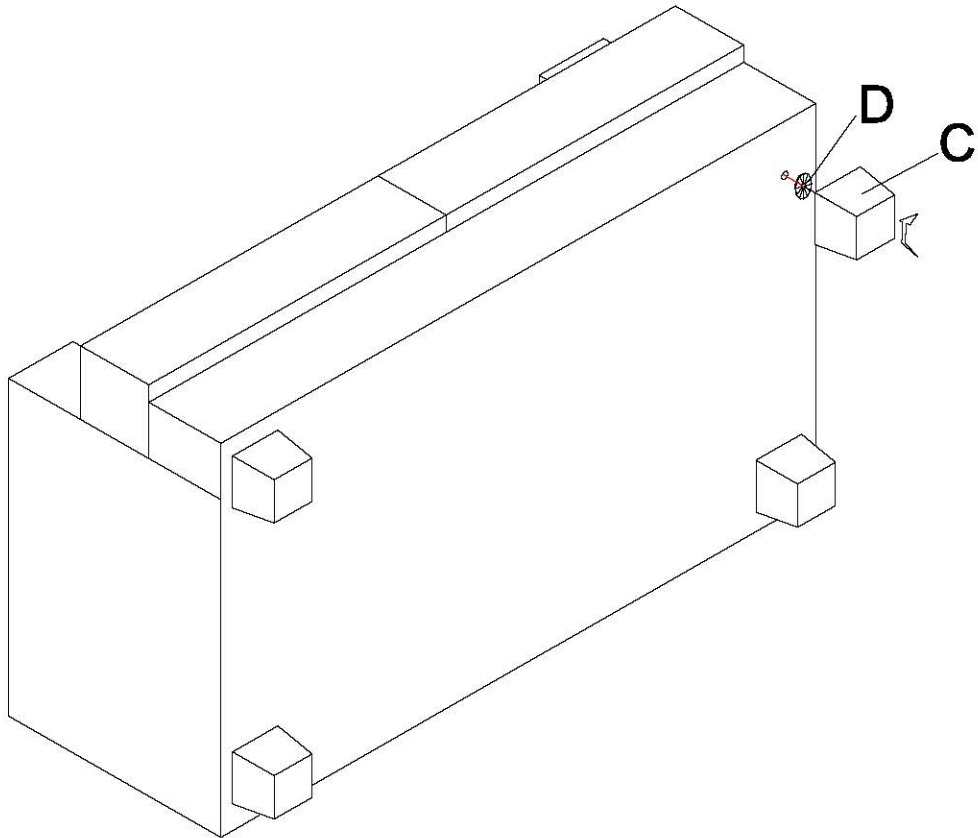
STEP 1:



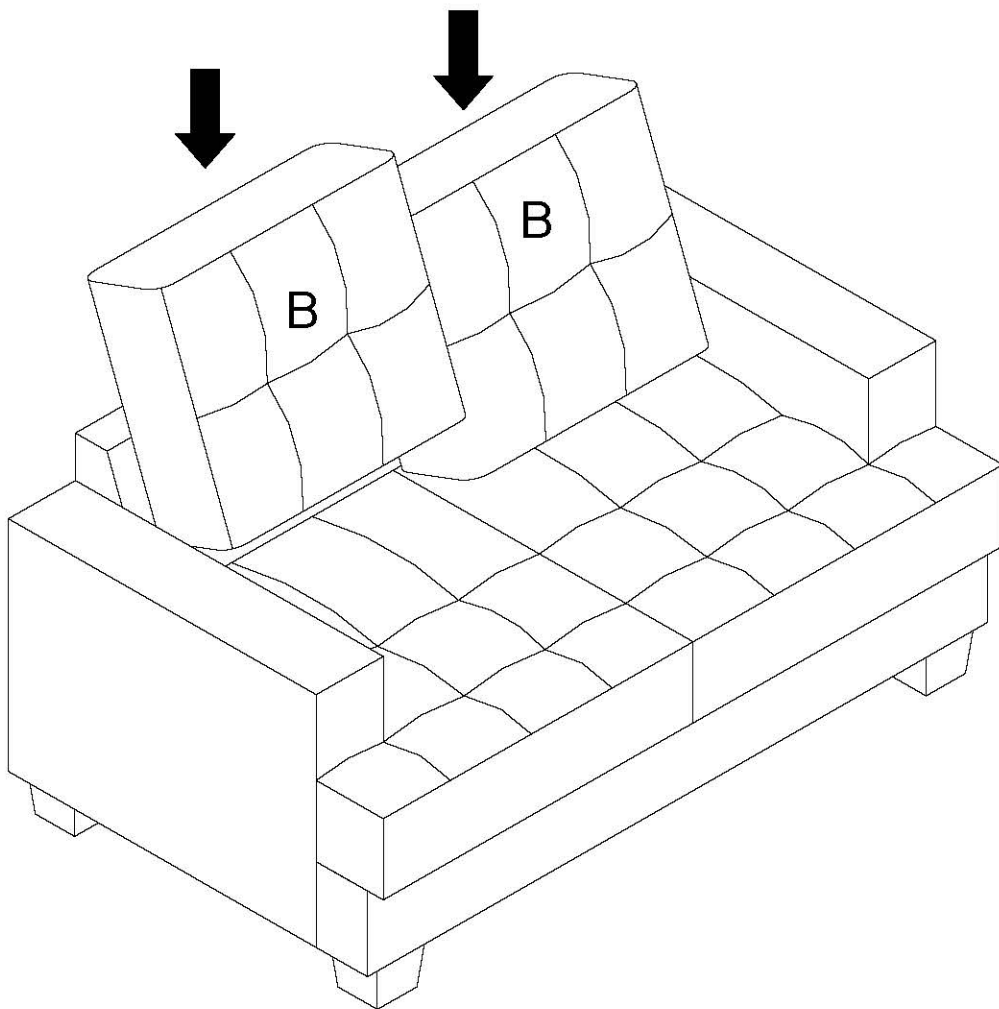
STEP 2:



**STEP 3:**

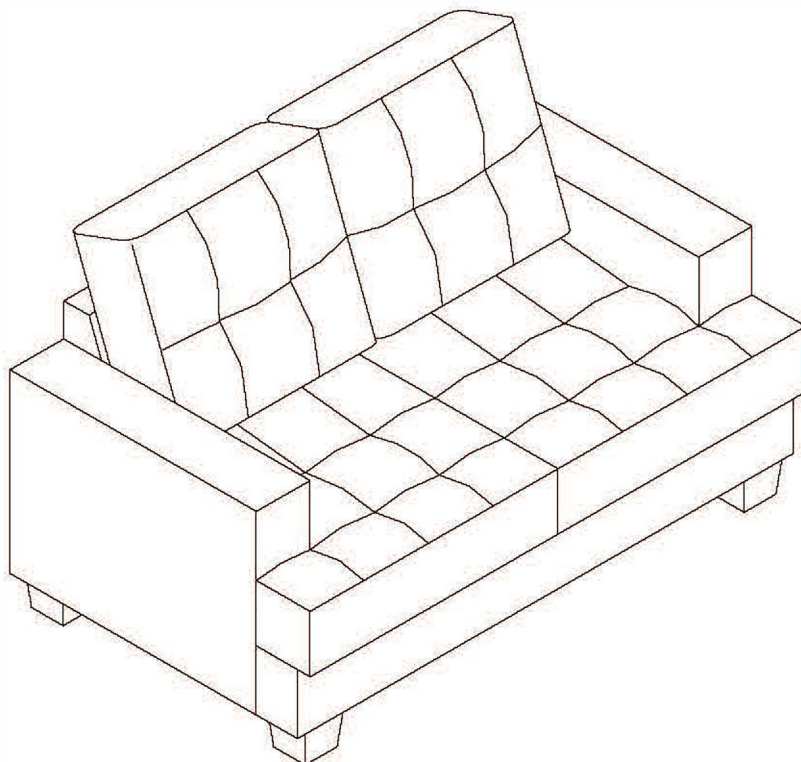


**STEP 4:**



**3 OF 4**

## STEP 5:



### **Care instruction for Leather Gel match furniture:**

In order to maintain the original appearance of your Leather Gel match furniture, please follow below simple care procedures:

- Avoid exposing furniture directly to sunlight or heating or heating conditioning outlets. Sunlight and or exposure to heating and air conditioning outlets will fade/damage Leather Gel match.
- Do not place your upholstered furniture too close to windows, radiators, or vents, and be sure to use windows, radiators, or vents.
- Vacuum or wipe with a cloth regularly to remove dust.



For items used on wooden floor, hard surfaces or carpets, it is recommended to install protective pads under all legs and supports to avoid/prevent from damages/scratches and discoloration.

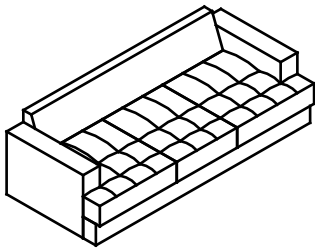
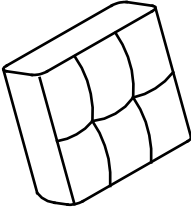
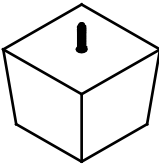
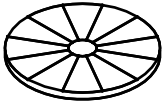

# ASSEMBLY INSTRUCTION

## SOFA

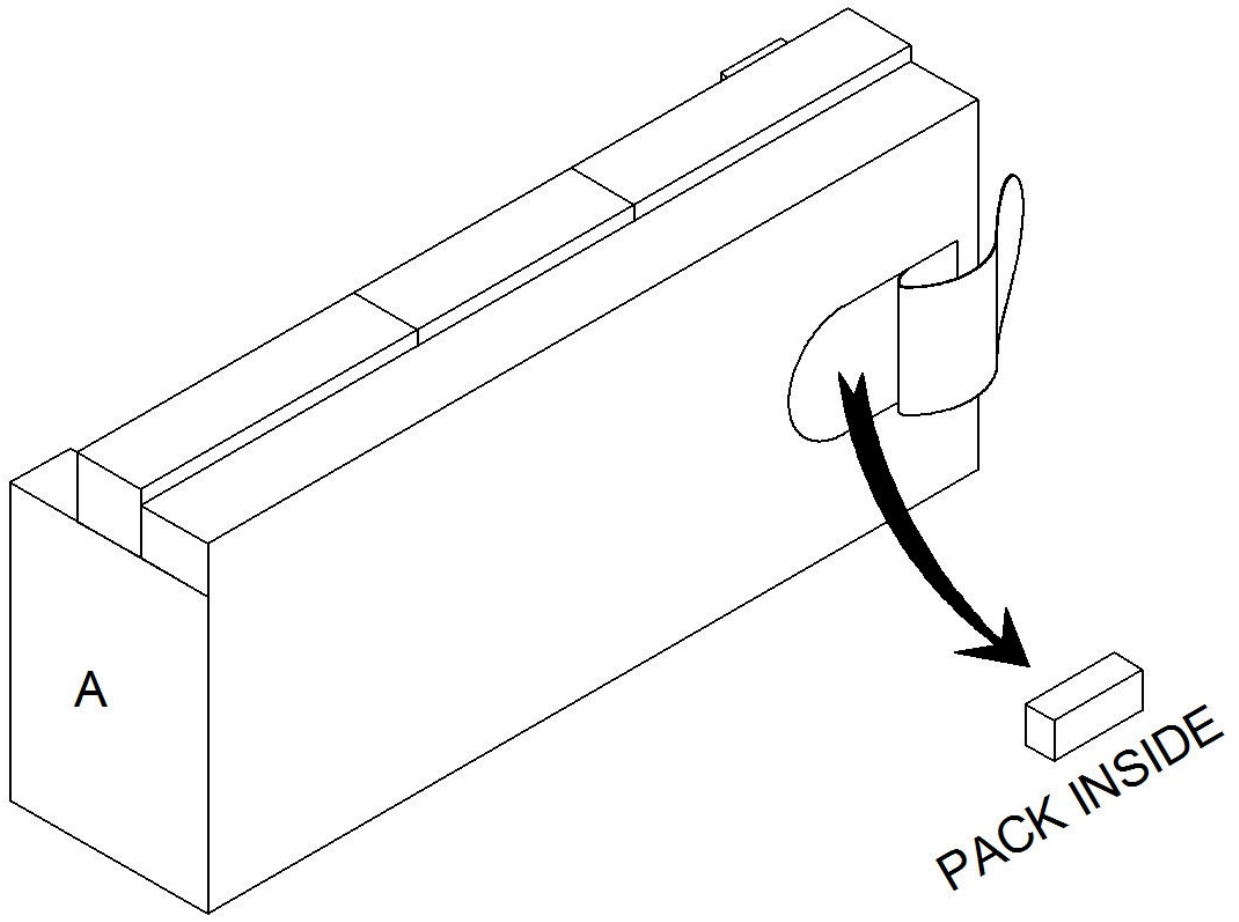


Leg and hardware are inside the box, please take out for assembly.

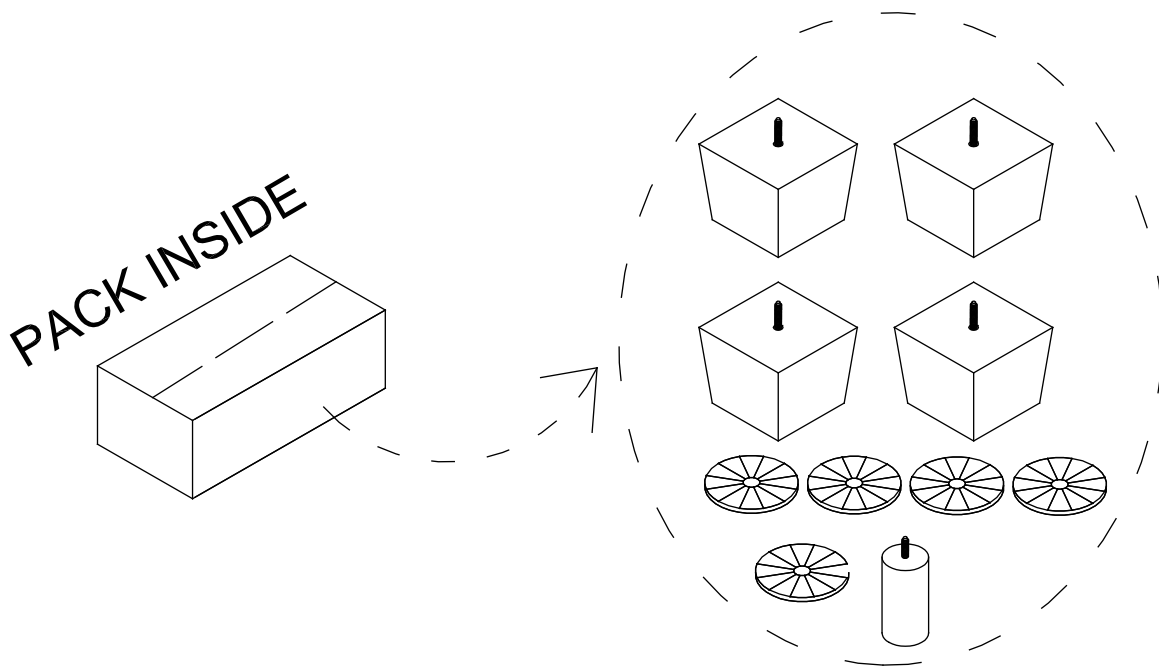
**NOTE:** Do not use power tools for assembly. Power tools increase the risk of over tightening which lead to splitting or cracking the wood.

NO.	DRAWING	QTY	DESCRIPTION
A		1	SEAT
B		3	BACK CUSHION
C		4	WOODEN LEG 4-3/4"*4-3/4"*4"
D		5	GASKET
E		1	SUPPORT LEG 2"*2"*4"

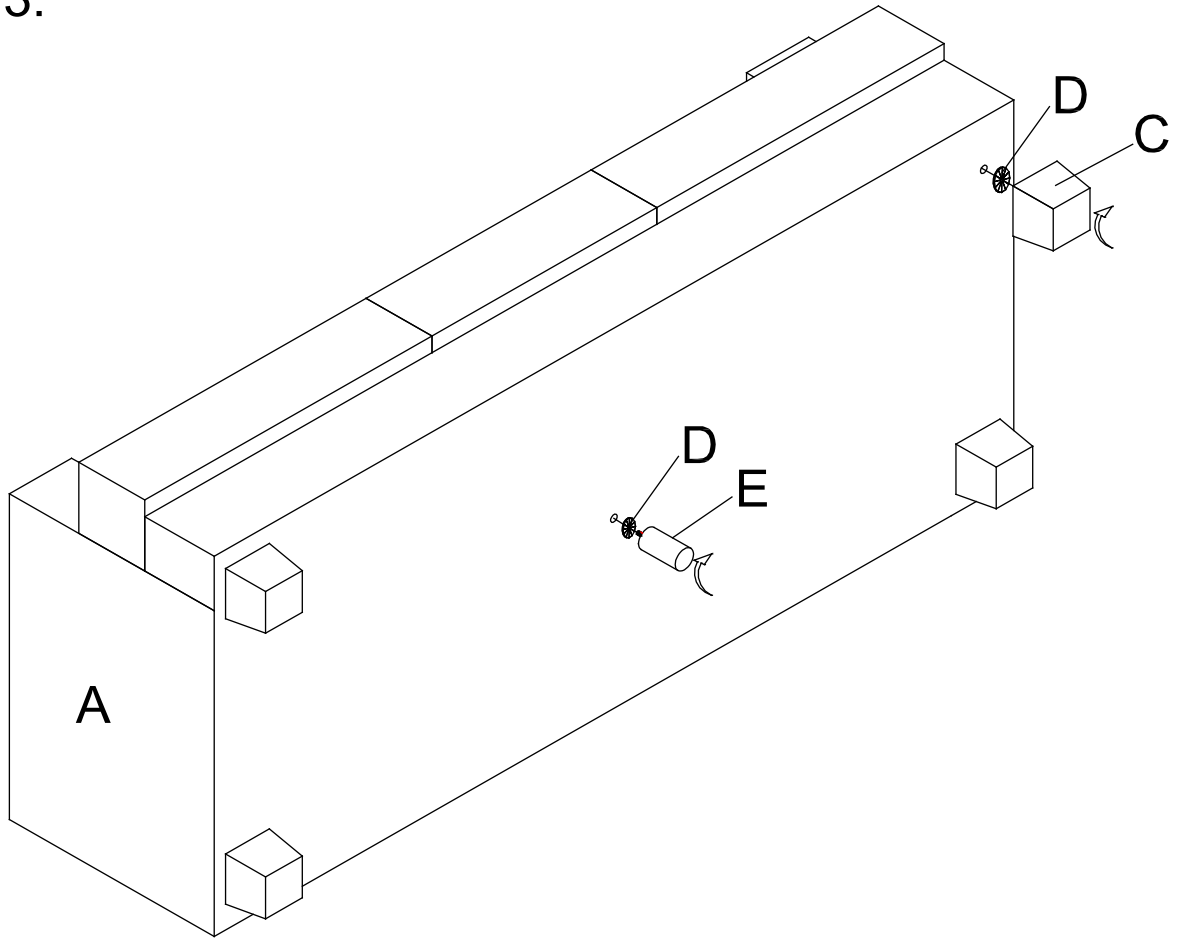
STEP 1:



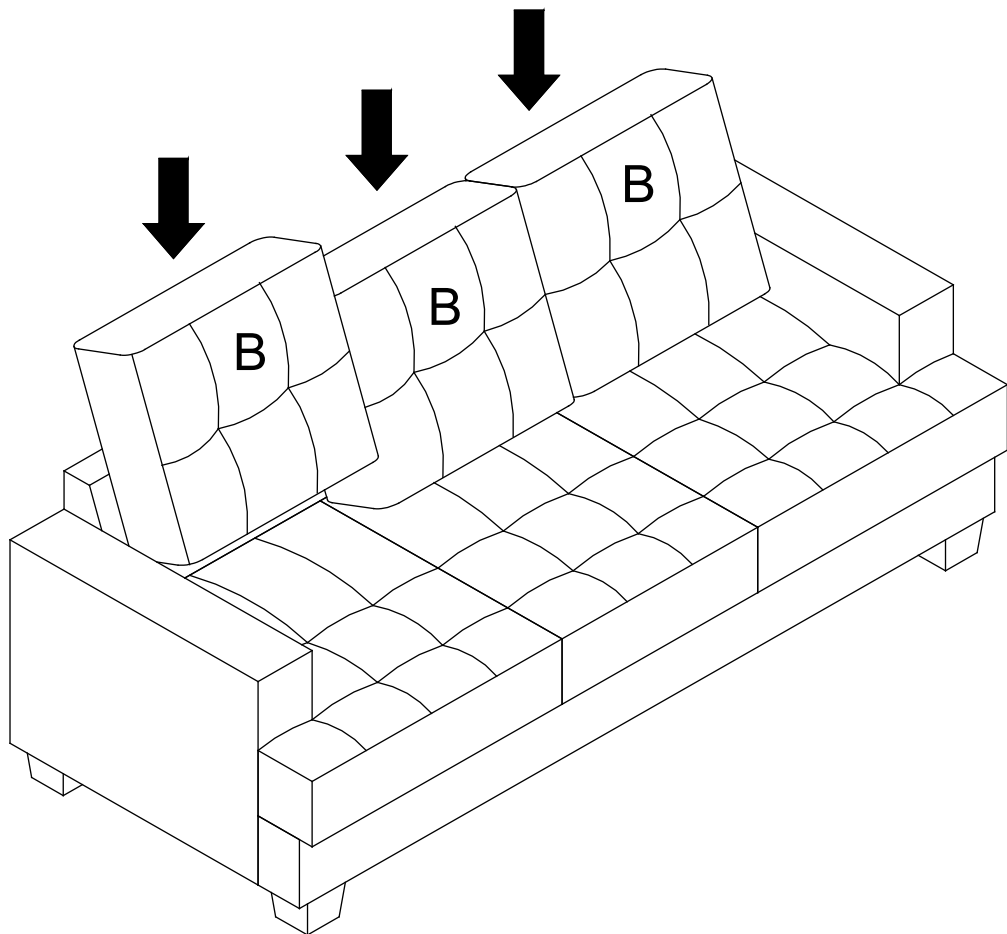
STEP 2:



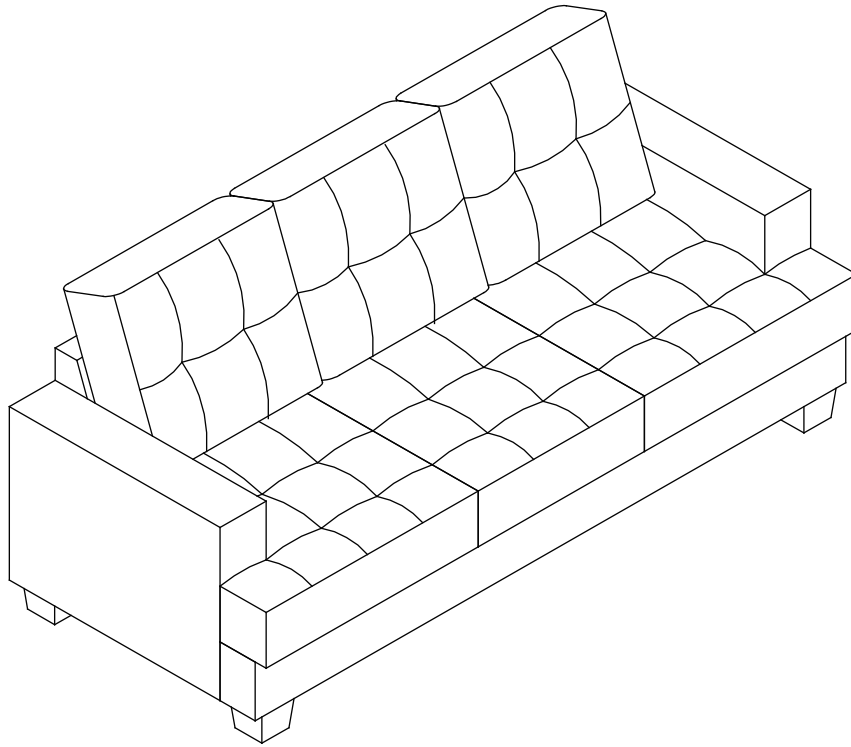
**STEP 3:**



**STEP 4:**



## STEP 5:



### **Care instruction for Leather Gel match furniture:**

In order to maintain the original appearance of your Leather Gel match furniture, please follow below simple care procedures:

- Avoid exposing furniture directly to sunlight or heating or heating conditioning outlets. Sunlight and or exposure to heating and air conditioning outlets will fade/damage Leather Gel match.
- Do not place your upholstered furniture too close to windows, radiators, or vents, and be sure to use windows, radiators, or vents.
- Vacuum or wipe with a cloth regularly to remove dust.



For items used on wooden floor, hard surfaces or carpets, it is recommended to install protective pads under all legs and supports to avoid/prevent from damages/scratches and discoloration.