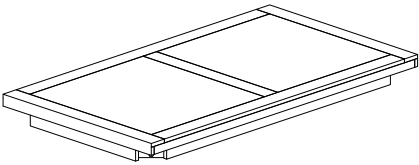
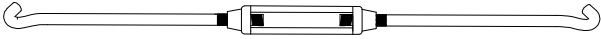


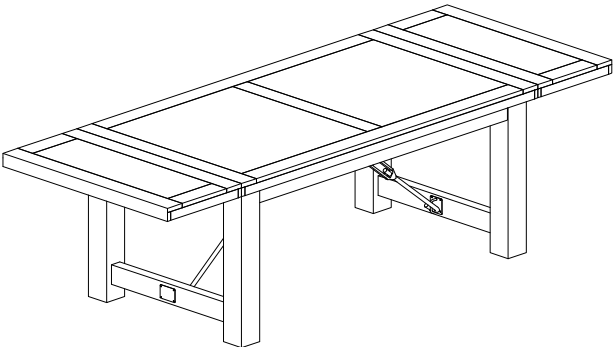
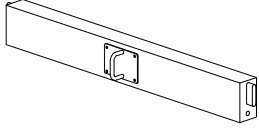
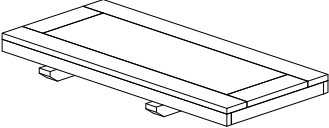
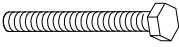

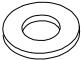
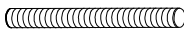
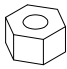

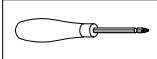
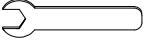
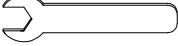




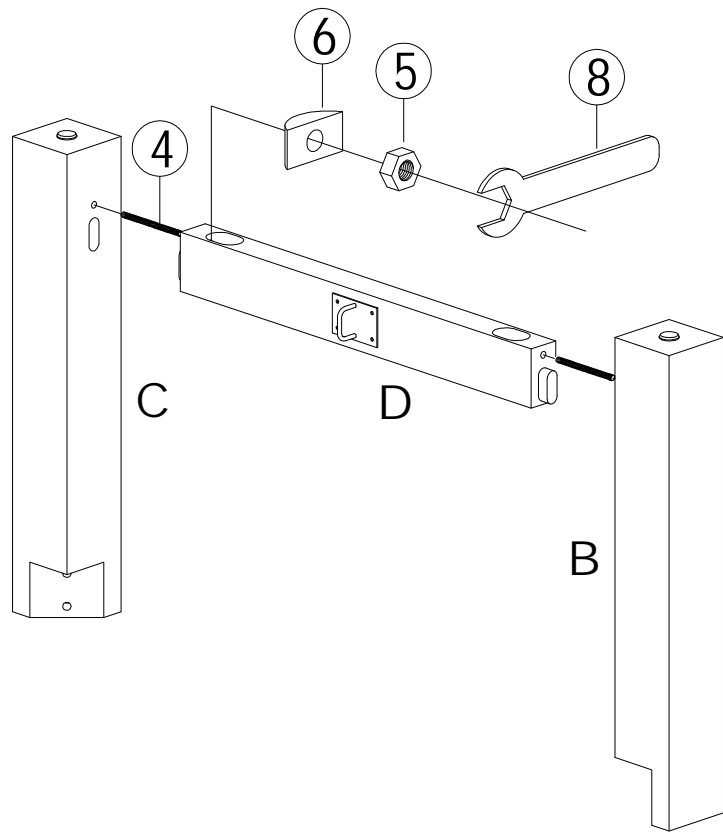
DINING TABLE ASSEMBLY INSTRUCTIONS

<p>A. TABLE TOP 1 PC</p> 	<p>F. TURNBUCKLE 2 PCS</p> 	
<p>B. LEFT LEG 2 PCS</p> 	<p>C. RIGHT LEG 2 PCS</p> 	<p style="font-size: 1.2em;">DINING TABLE ASSEMBLED</p> 
<p>D. STRETCHER 2 PCS</p> 		
<p>E. EXTENSION LEAF 2 PCS</p> 		

HARDWARE ENCLOSED IN BOX

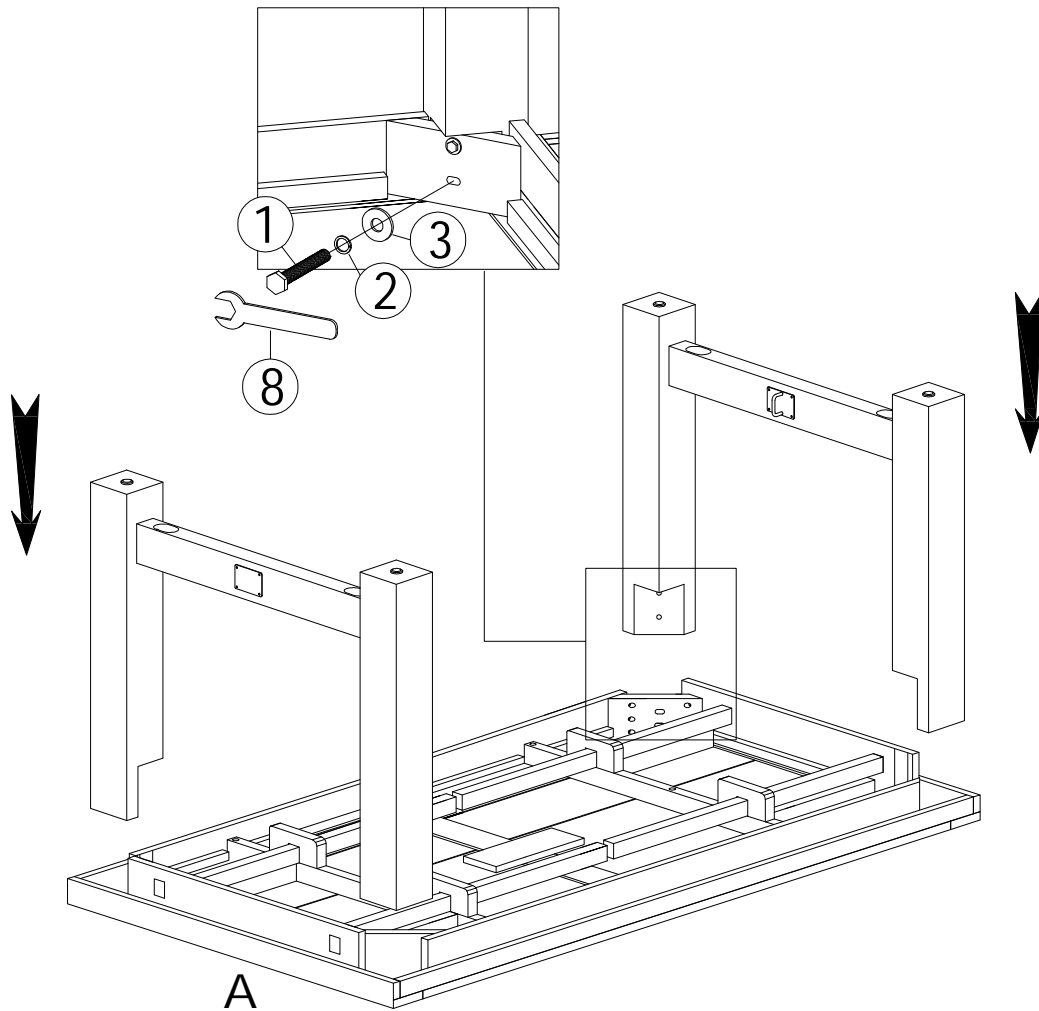
1	HEX BOLT (M10X60)	08 PCS	2	SPRING WASHER (M11)	08 PCS	3	FLAT WASHER (M10)	08 PCS	4	THREADED BOLT (M8X80)	04 PCS	5	HEX NUT (M8)	04 PCS	6	HALF MOON WASHER	04 PCS
																	
7	SPANNER (M13)	01 PC	8	SPANNER (M16)	01 PC	9	WOOD SCREW (M4X25)	08 PCS	10	METAL LOOP BRACKET	02 PCS	<p>TOOL REQUIRED PHILLIPS HEAD SCREW DRIVER NOT PROVIDED</p> 					
																	

STEP 1:

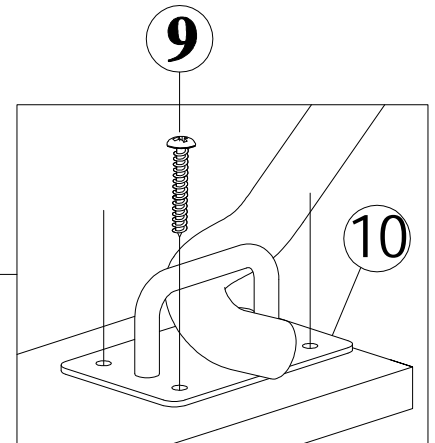
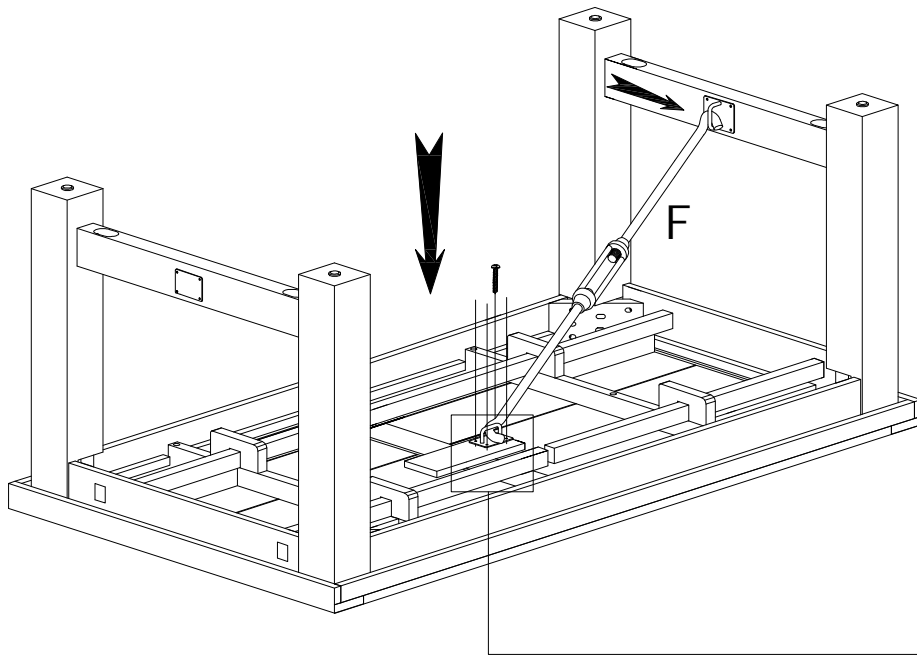


REPEAT STEP 1 FOR SECOND LEG ASSEMBLY

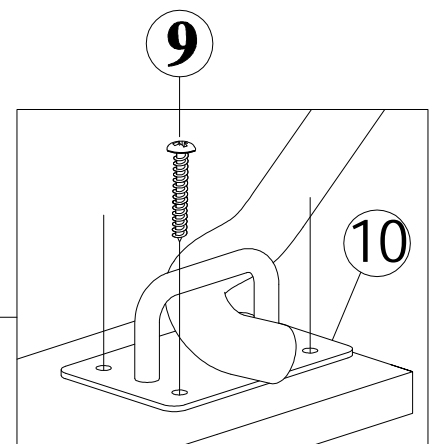
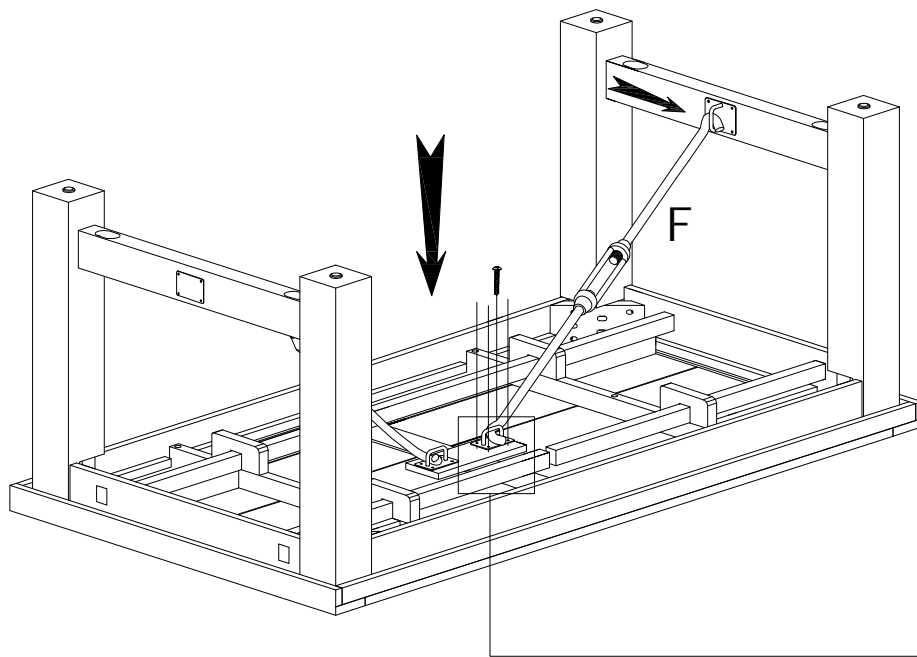
STEP 2:



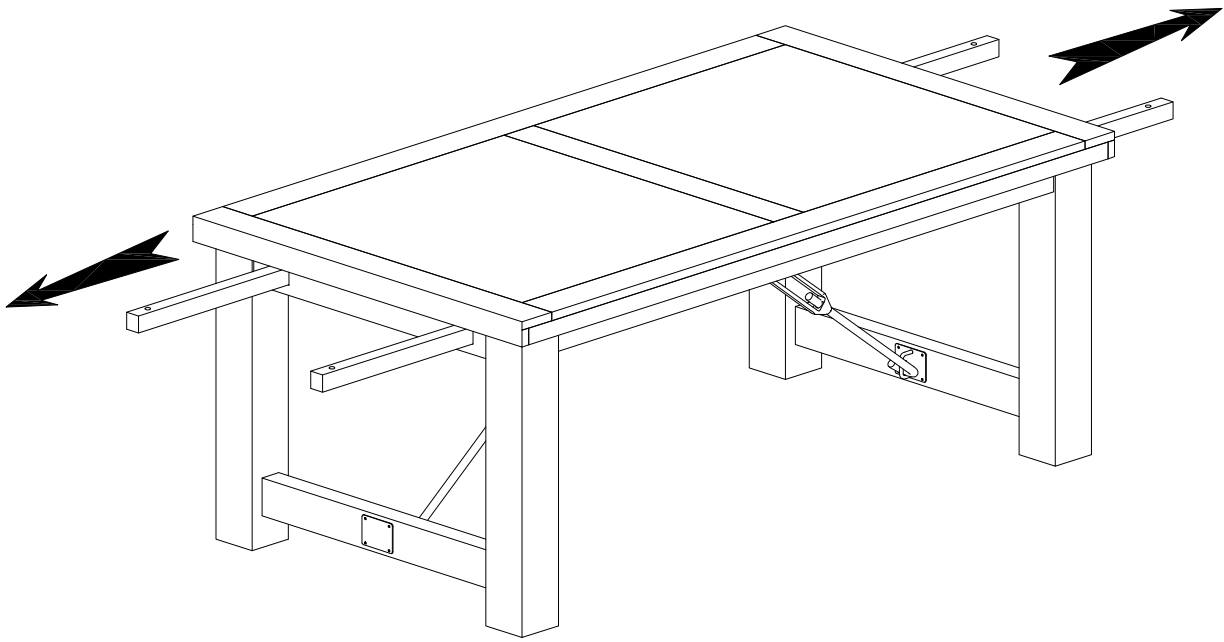
STEP 3:



STEP 4:



STEP 5:
TO INSTALL EXTENSION LEAVES (E), FOLLOW REMAINING STEPS.



STEP 6:

