



FARMHOUSE NIGHTSTAND WITH 2 DRAWERS



USER MANUAL



Contents

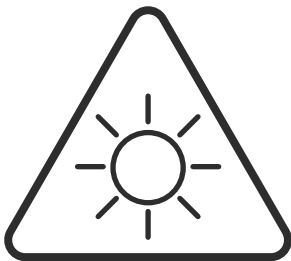
TOPIC		PAGE
01	SAFETY INSTRUCTIONS	01-01
	1-1 Thank You For Choosing Our Product	01
	1-2 Precautions	01
02	INSTALLING MODULES	02-23
	2-1 Disassembly Diagram	02
	2-2 Parts List	03-04
	2-3 Assembly Instructions	05-23
03	CUSTOMER SERVICE	24
	3-1 30-Day Return Policy	24
	3-2 1-Year Warranty	24
	3-3 Quick Response Within 24 Hours	24
04	PROBLEMS YOU MAY ENCOUNTER	25
	4-1 Problems You May Encounter	25

Safety Instructions

Thank You For Choosing Our Product

Before assembly, please read this USER MANUAL first, and check according to Parts List to make sure all parts are included. Feel free to contact us if you have any concerns or questions about your product, we are always ready to help. Your satisfaction is our first priority!

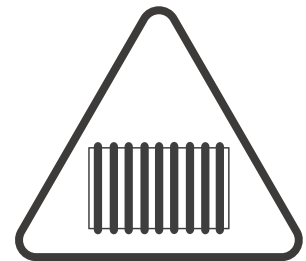
Precautions



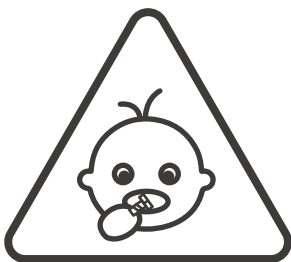
- Avoid long-term direct sunlight exposure.



- Keep away from sharp objects.



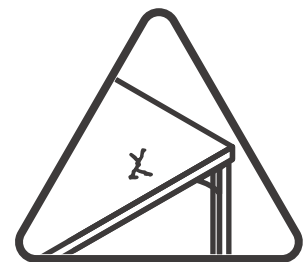
- Keep away from heat.



- Keep infants/children away from assembly parts to avoid choking and suffocation.

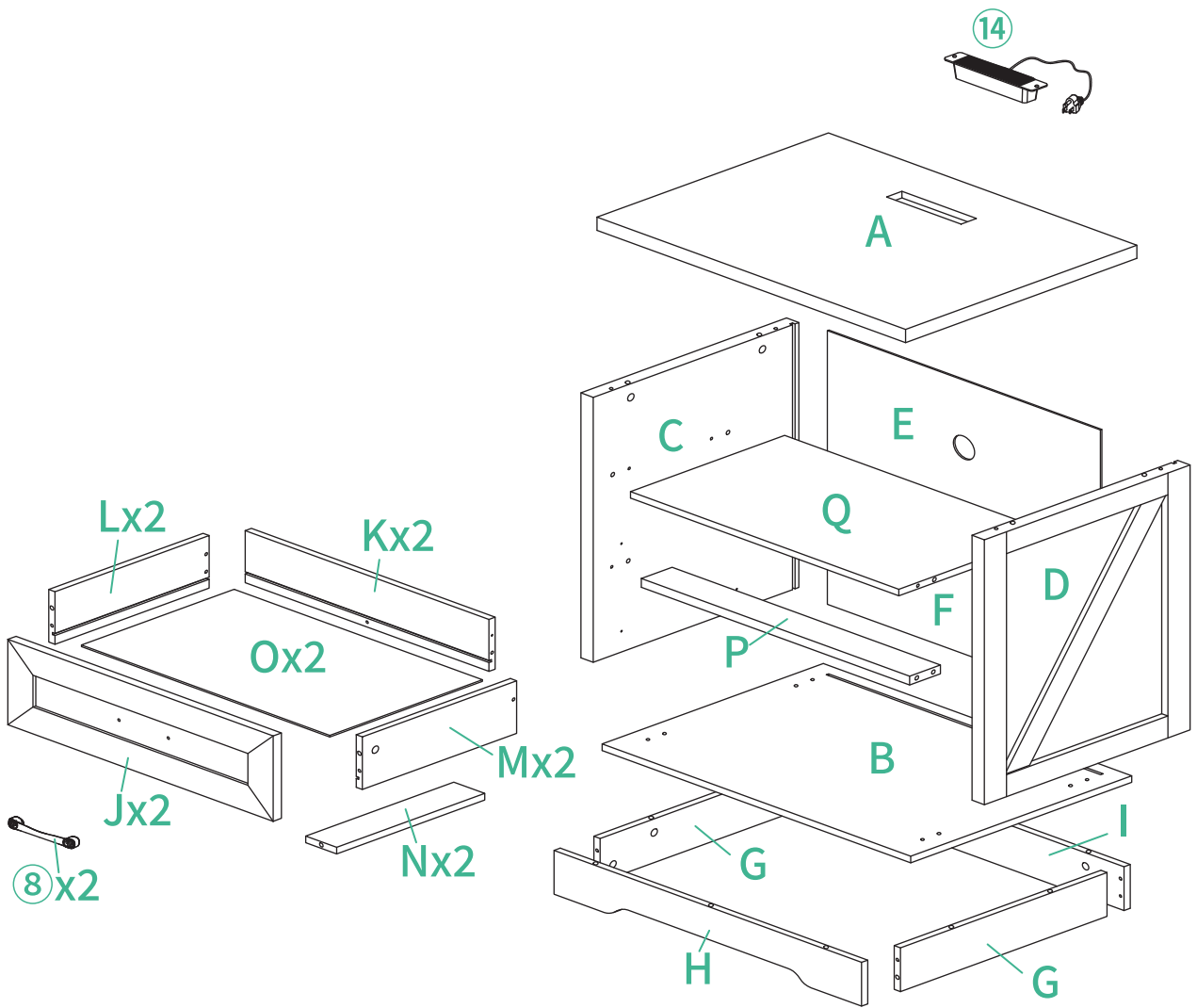


- Keep away from corrosive substances.



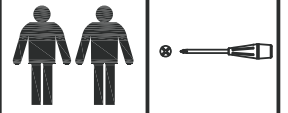
- Pay attention to avoid over-tightening fasteners, or they may induce cracking within the board.

Disassembly Diagram



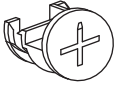



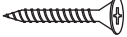
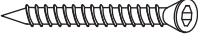


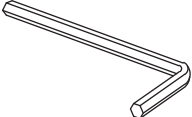
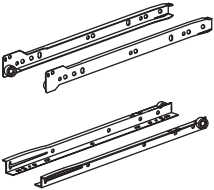
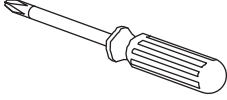
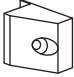

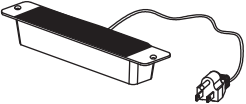
Parts List

For ease and safety, we recommend two people for assembly.



A x1 	B x1 	C x1 	D x1
E x1 	F x1 	G x2 	H x1
I x1 	J x2 	K x2 	L x2
M x2 	N x2 	O x2 	P x1
Q x1 			

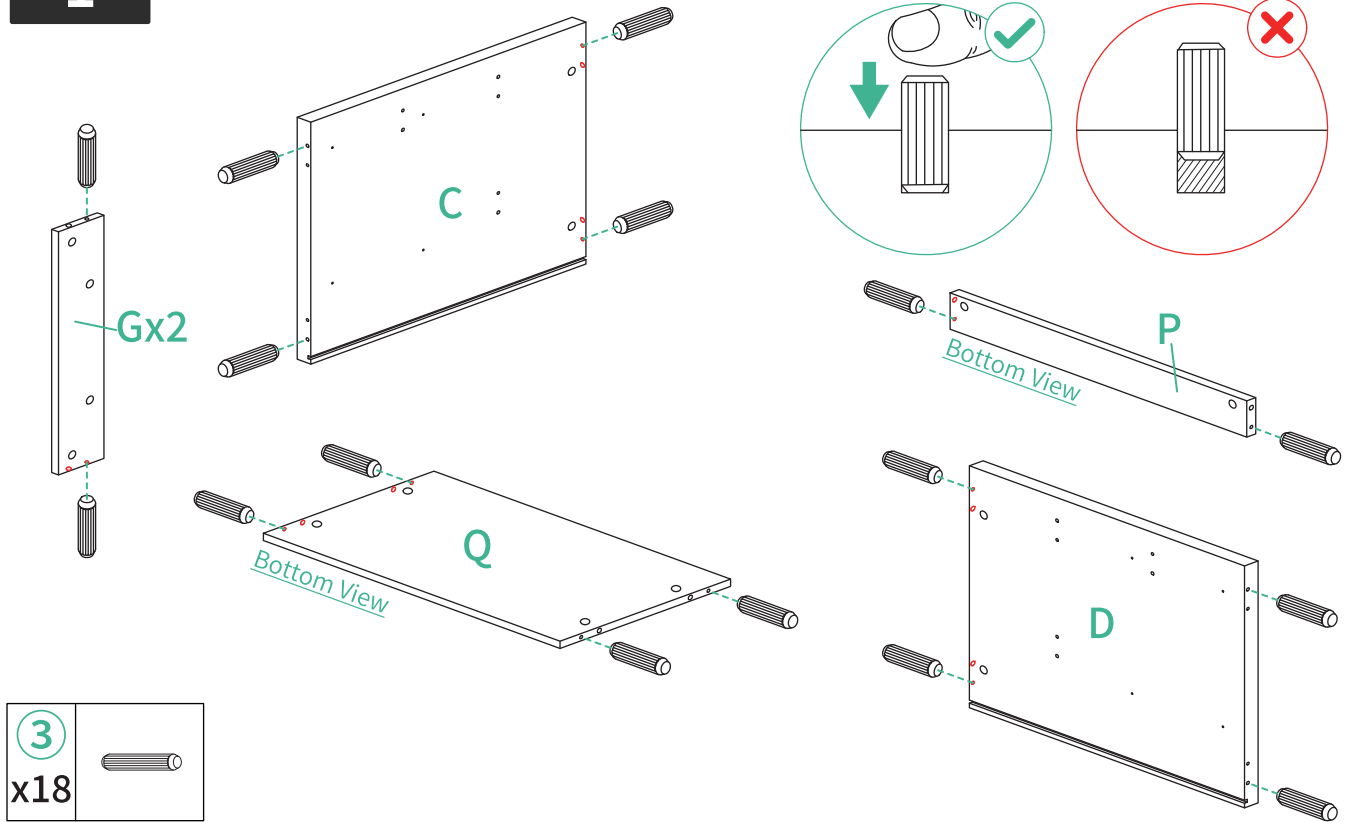
Parts List

<p>①</p> <p>x35</p>  <p>3 Spares</p>	<p>②</p> <p>x35</p>  <p>3 Spares</p>	<p>③</p> <p>x29</p>  <p>M6x30</p> <p>3 Spares</p>	<p>④</p> <p>x30</p>  <p>M3.5x12</p> <p>4 Spares</p>
<p>⑤</p> <p>x5</p>  <p>M4x38</p> <p>1 Spare</p>	<p>⑥</p> <p>x5</p>  <p>M6x50</p> <p>1 Spare</p>	<p>⑦</p> <p>x5</p>  <p>M4x8</p> <p>1 Spare</p>	<p>⑧</p> <p>x2</p> 
<p>⑨</p> <p>x2</p>  <p>M4</p> <p>1 Spare</p>	<p>⑩</p> <p>x2</p> 	<p>⑪</p> <p>x1</p> 	<p>⑫</p> <p>x5</p>  <p>1 Spare</p>
<p>⑬</p> <p>x1</p> 	<p>⑭</p> <p>x1</p> 		

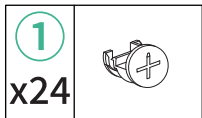
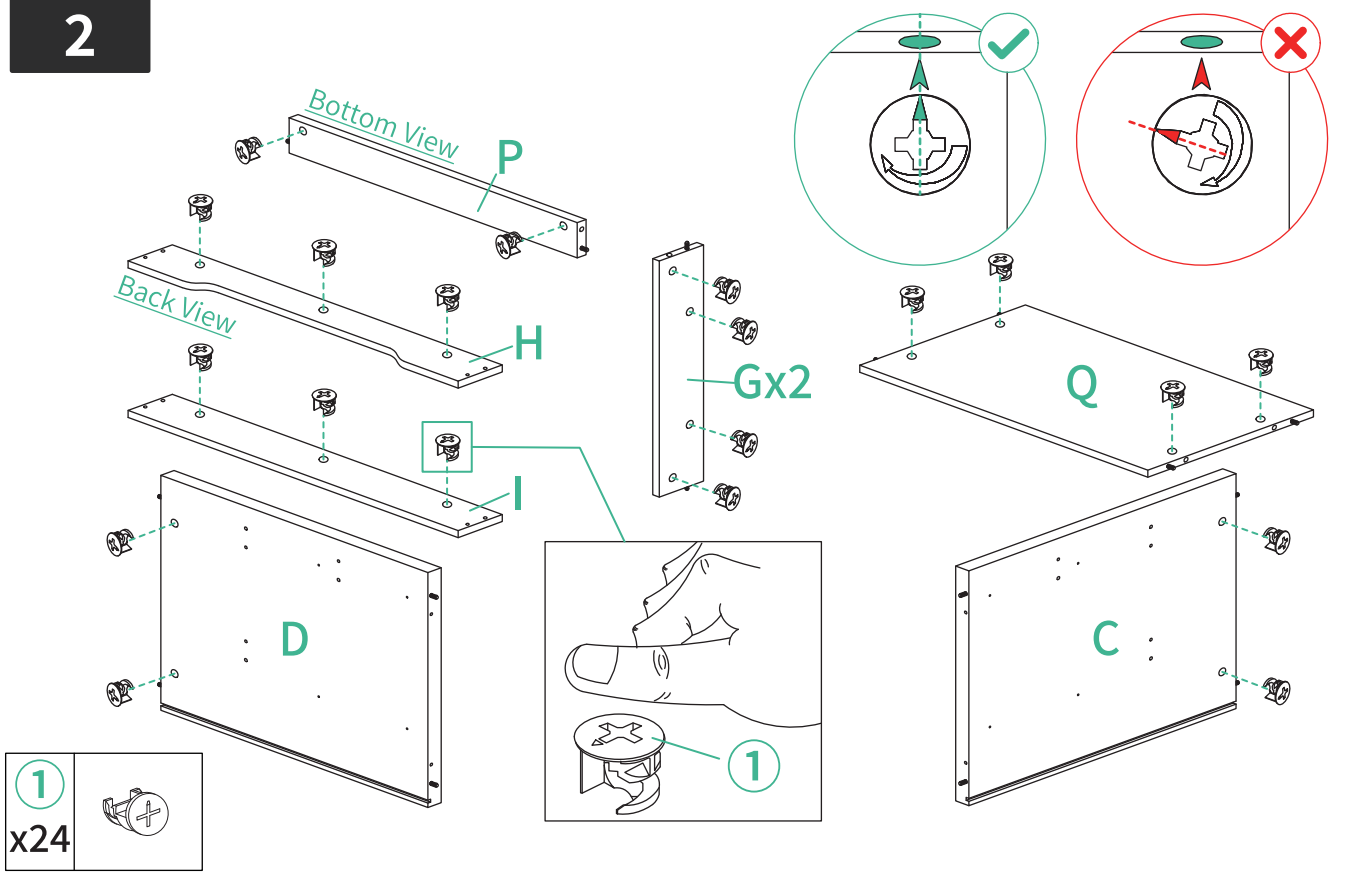
Assembly Instructions

1

We recommend assemble parts ①/②/③ first.



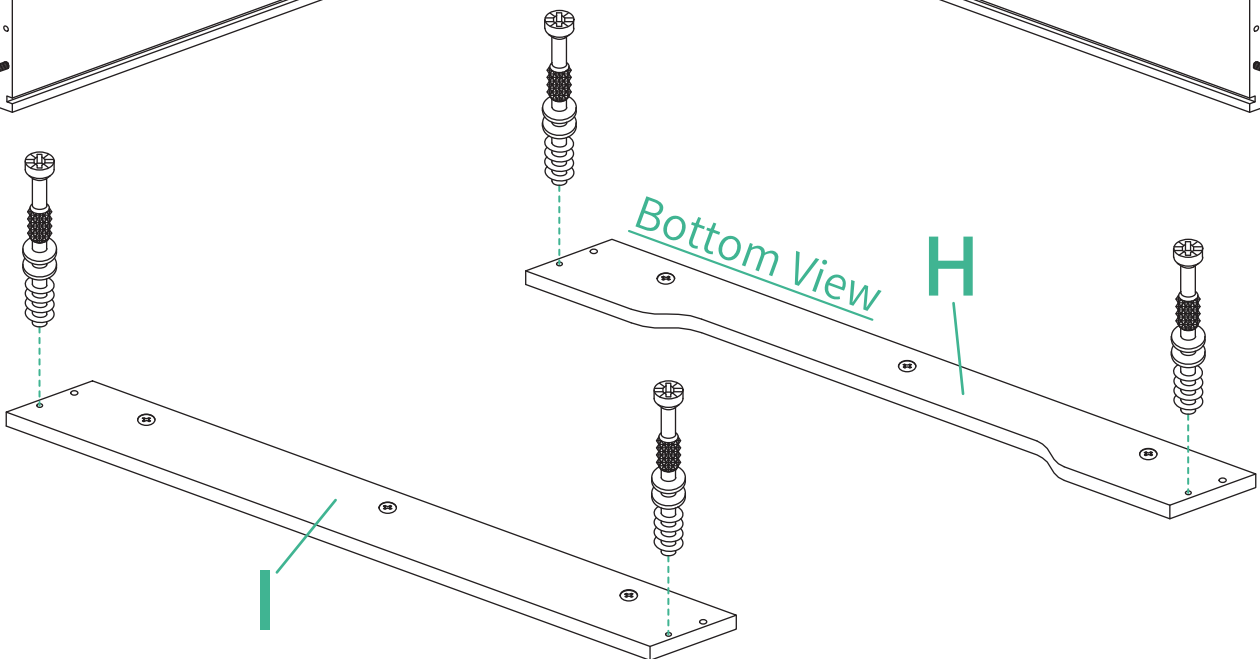
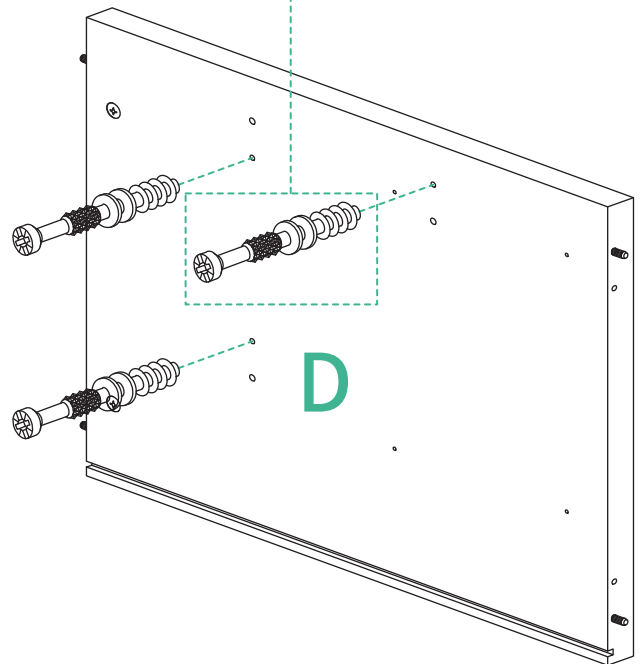
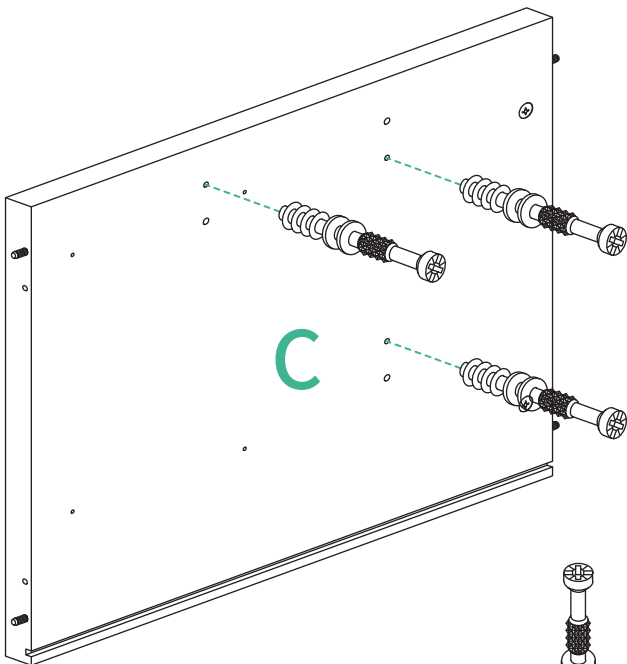
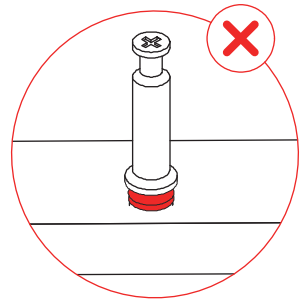
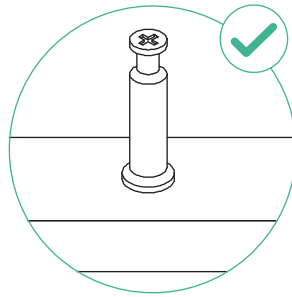
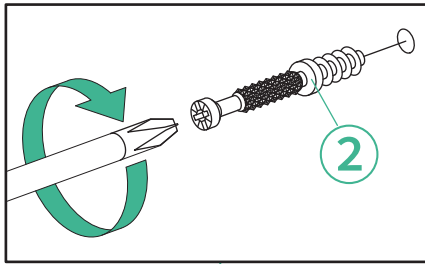
2



Assembly Instructions

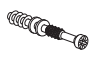
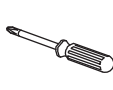
3-1

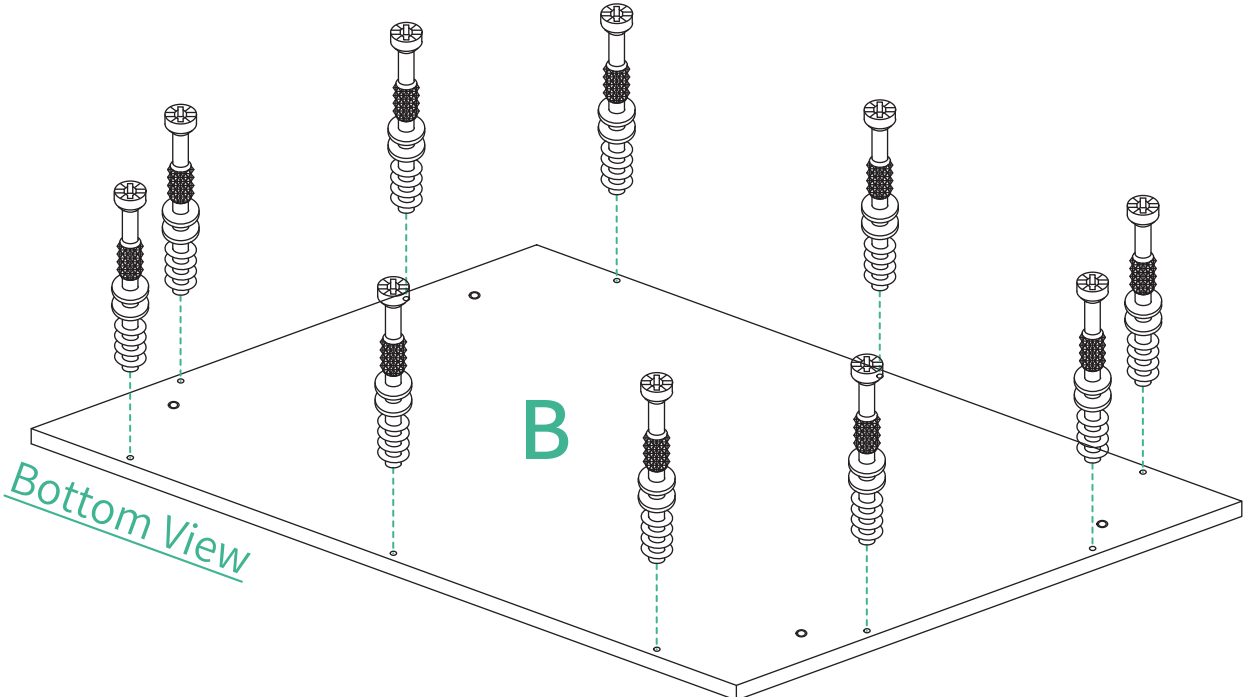
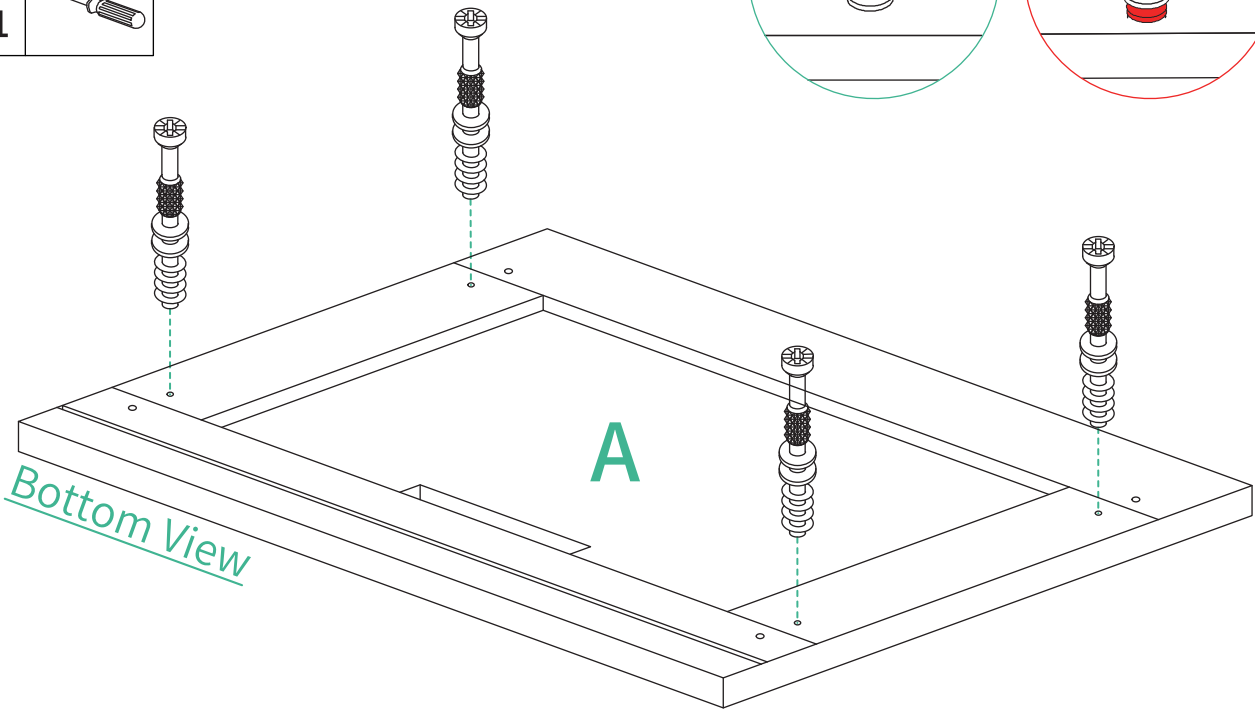
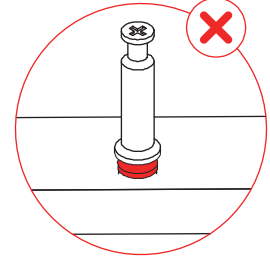
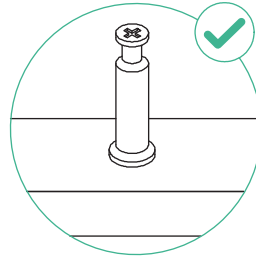
- ②
x10
- ⑪
x1



Assembly Instructions

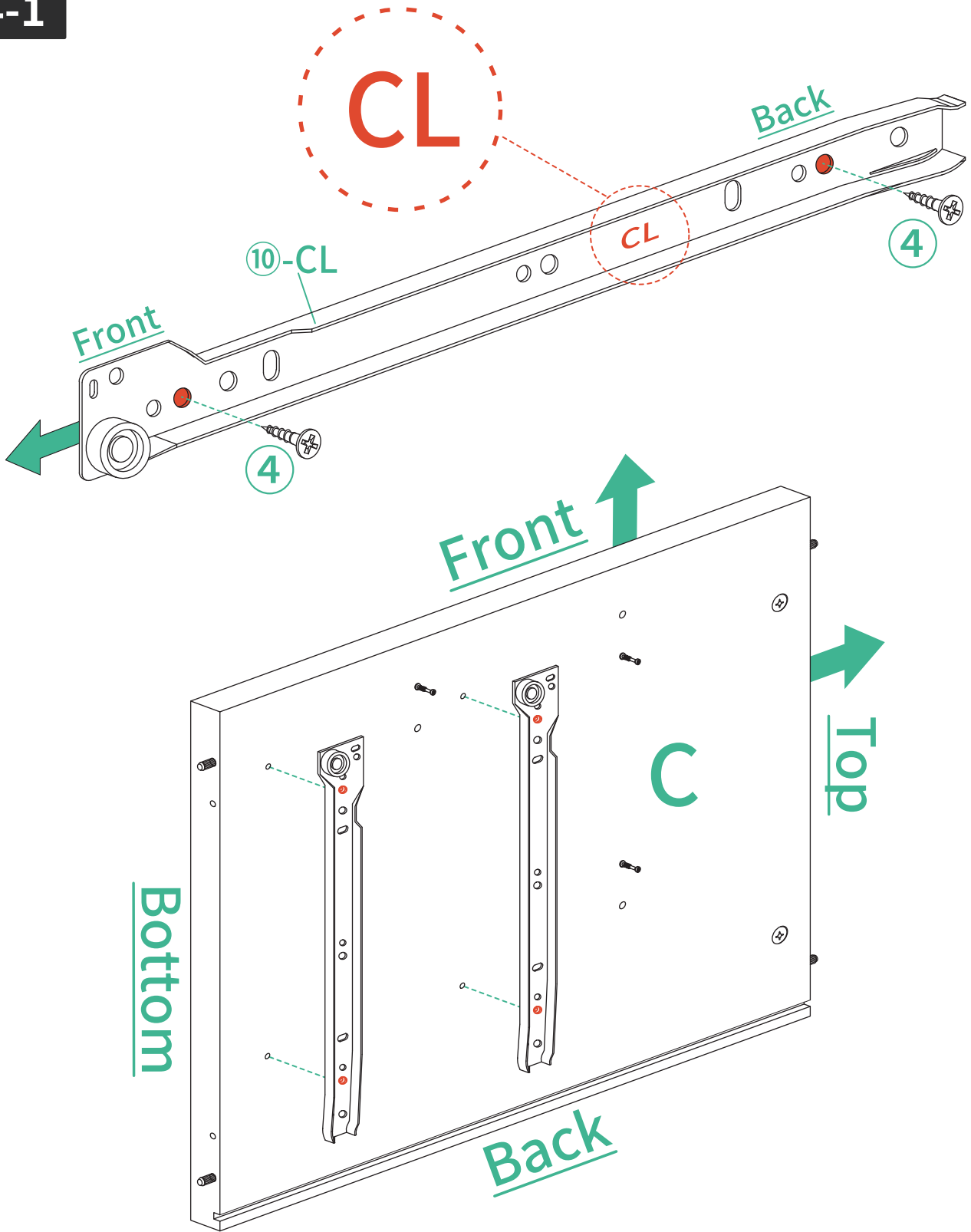
3-2

② x14	
⑪ x1	



Assembly Instructions

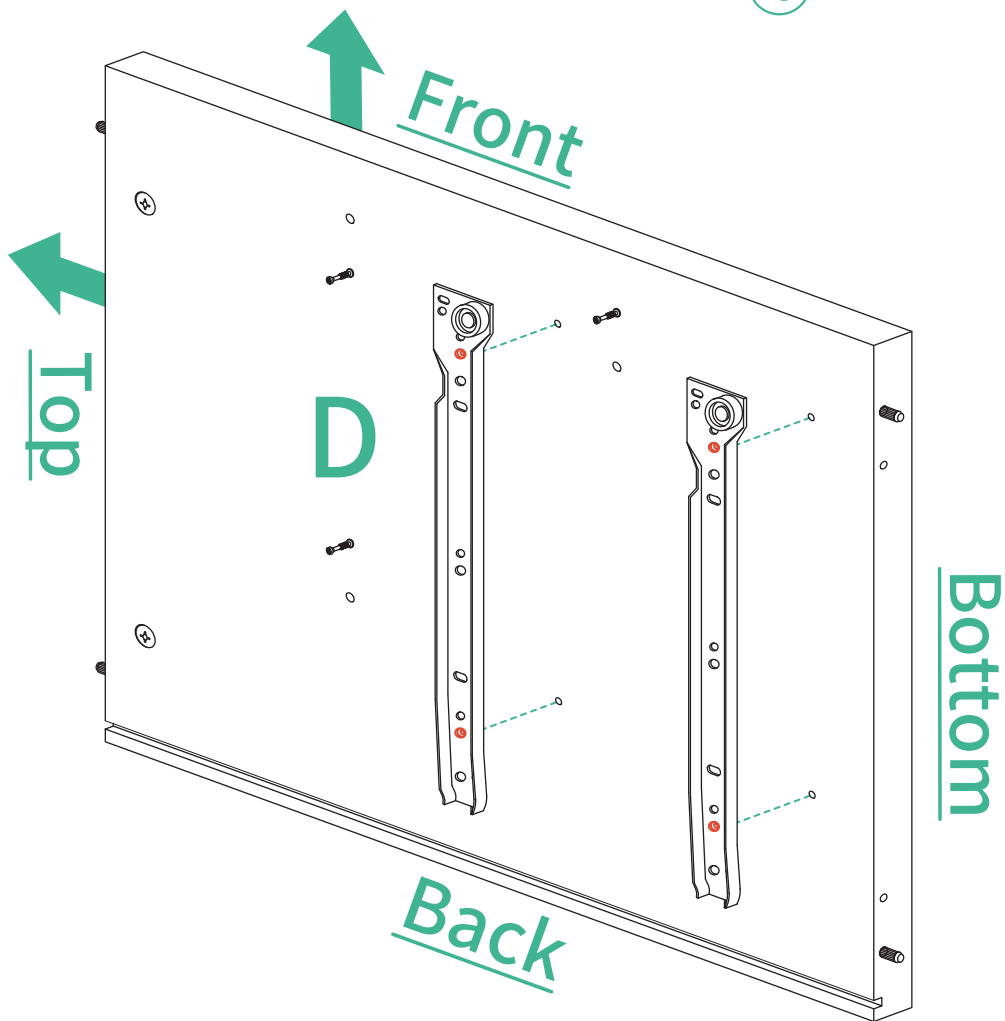
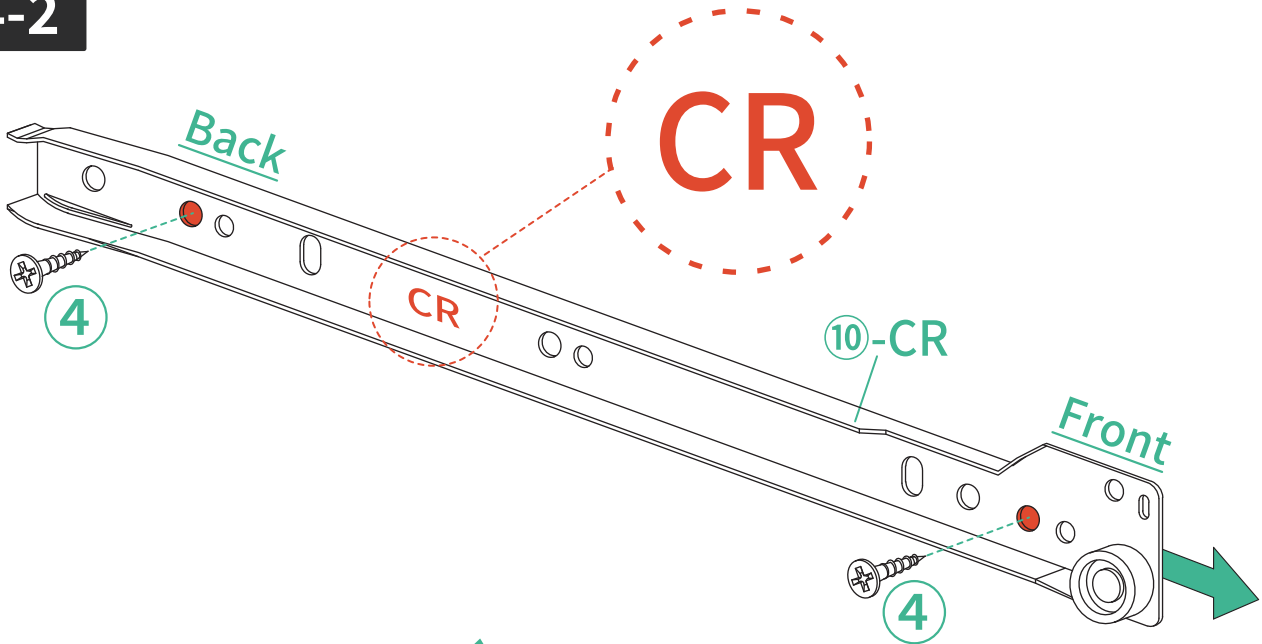
4-1



4 x4		10-CL x2		11 x1	
---------	---	-------------	---	----------	---

Assembly Instructions

4-2



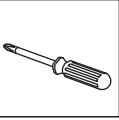
4		10-CR		11	
x4		x2		x1	

Assembly Instructions

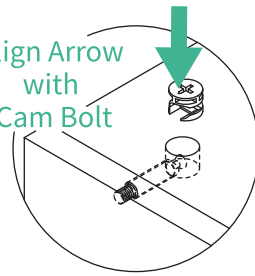
5

11

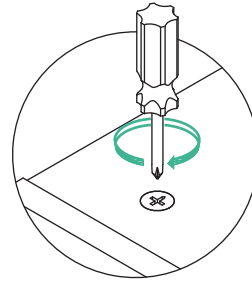
x1



Align Arrow
with
Cam Bolt

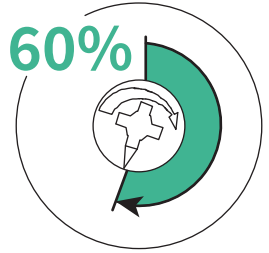


Press The
Cam Lock

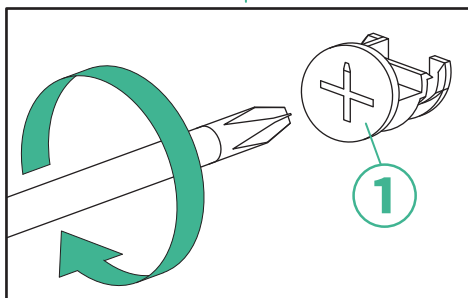
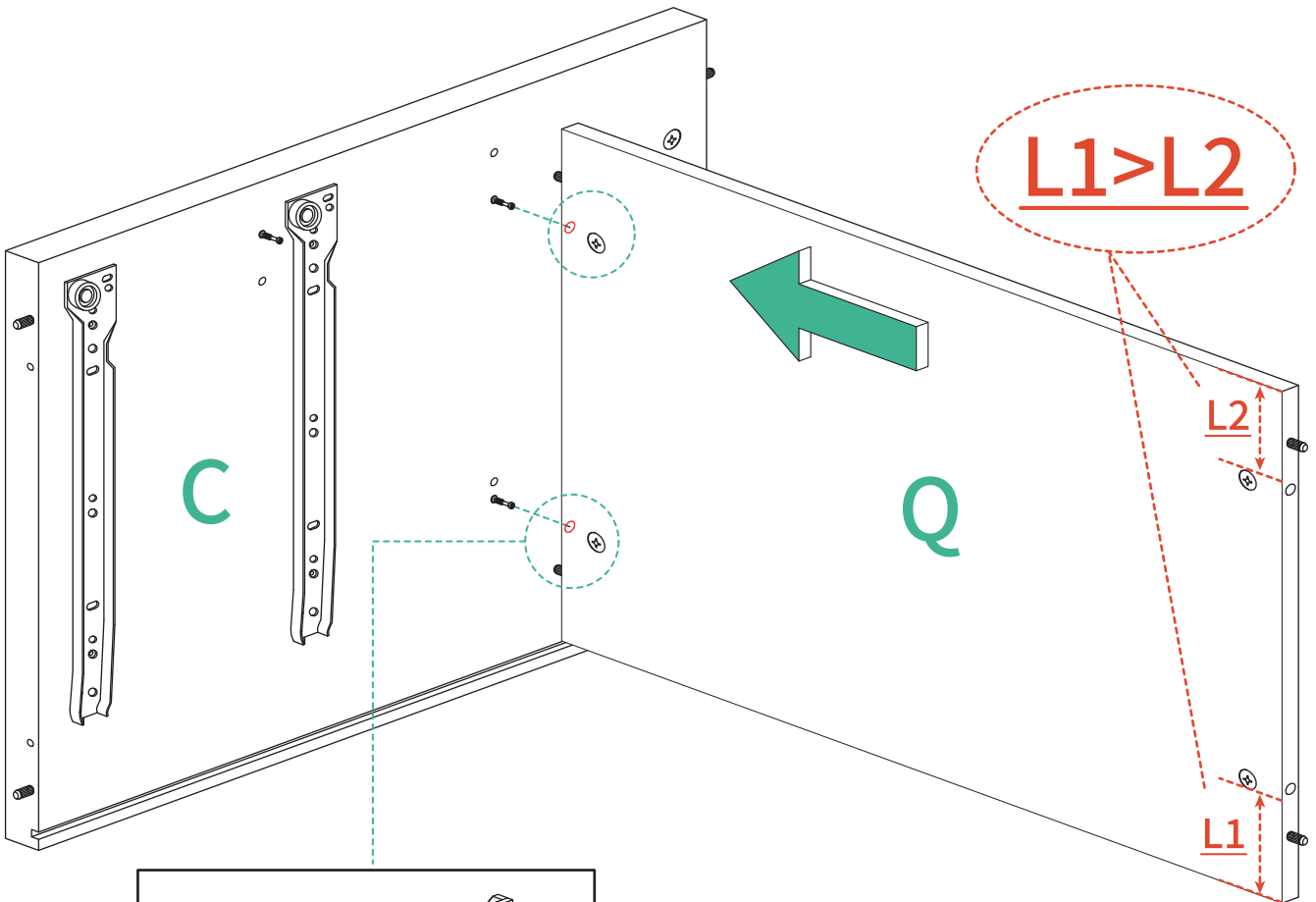


Tighten It
Clockwise

60%



Rotate to
About 60%

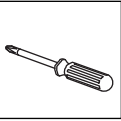


Assembly Instructions

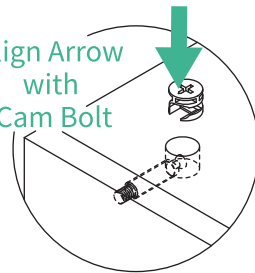
6

11

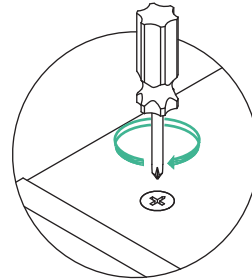
x1



Align Arrow
with
Cam Bolt

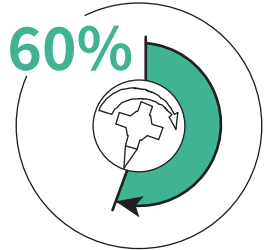


Press The
Cam Lock



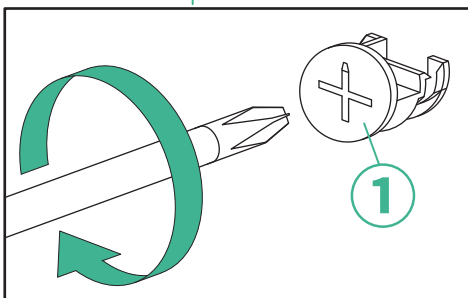
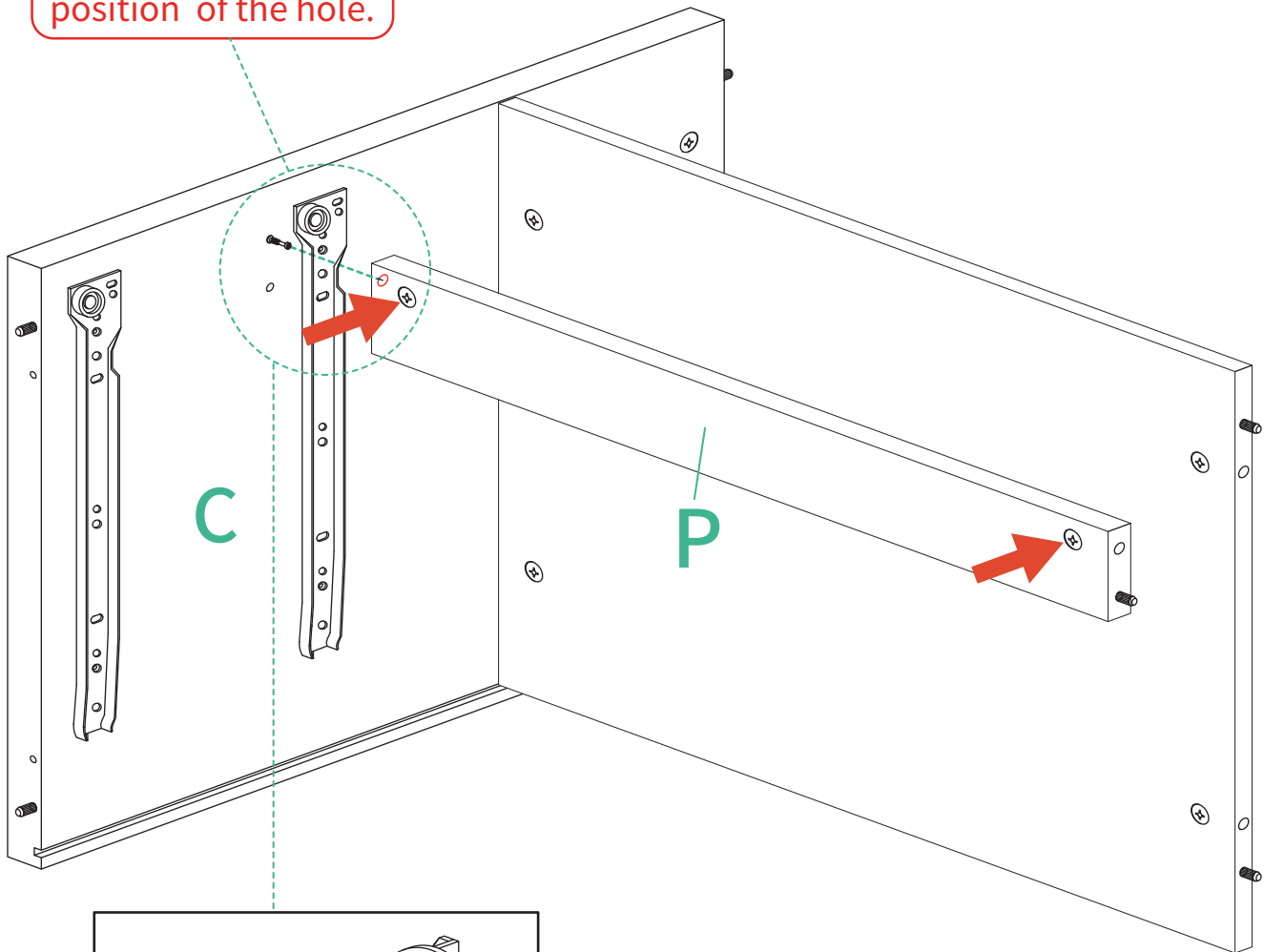
Tighten It
Clockwise

60%



Rotate to
About 60%

Pay attention to the
position of the hole.

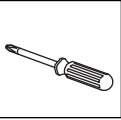


Assembly Instructions

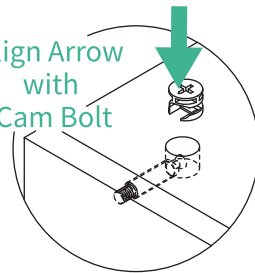
7

11

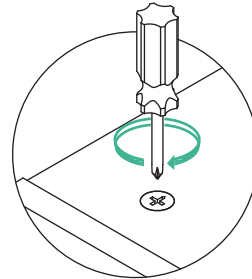
x1



Align Arrow
with
Cam Bolt

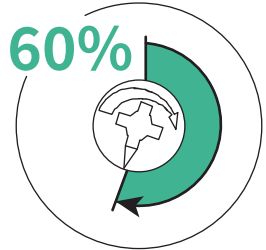


Press The
Cam Lock

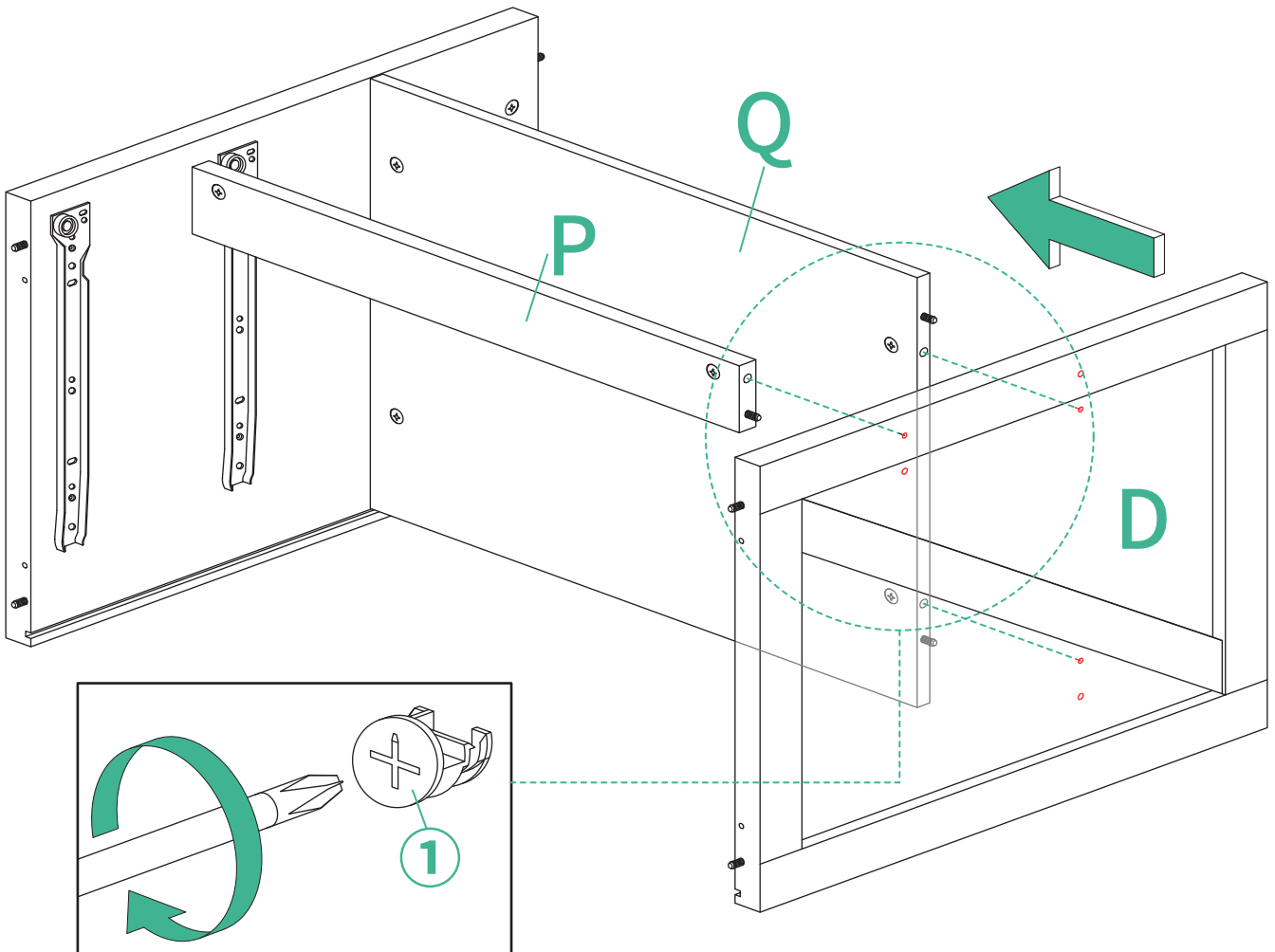


Tighten It
Clockwise

60%



Rotate to
About 60%

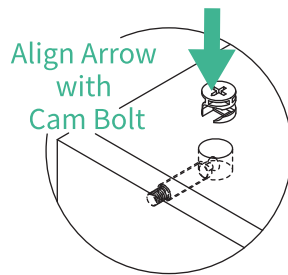
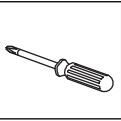


Assembly Instructions

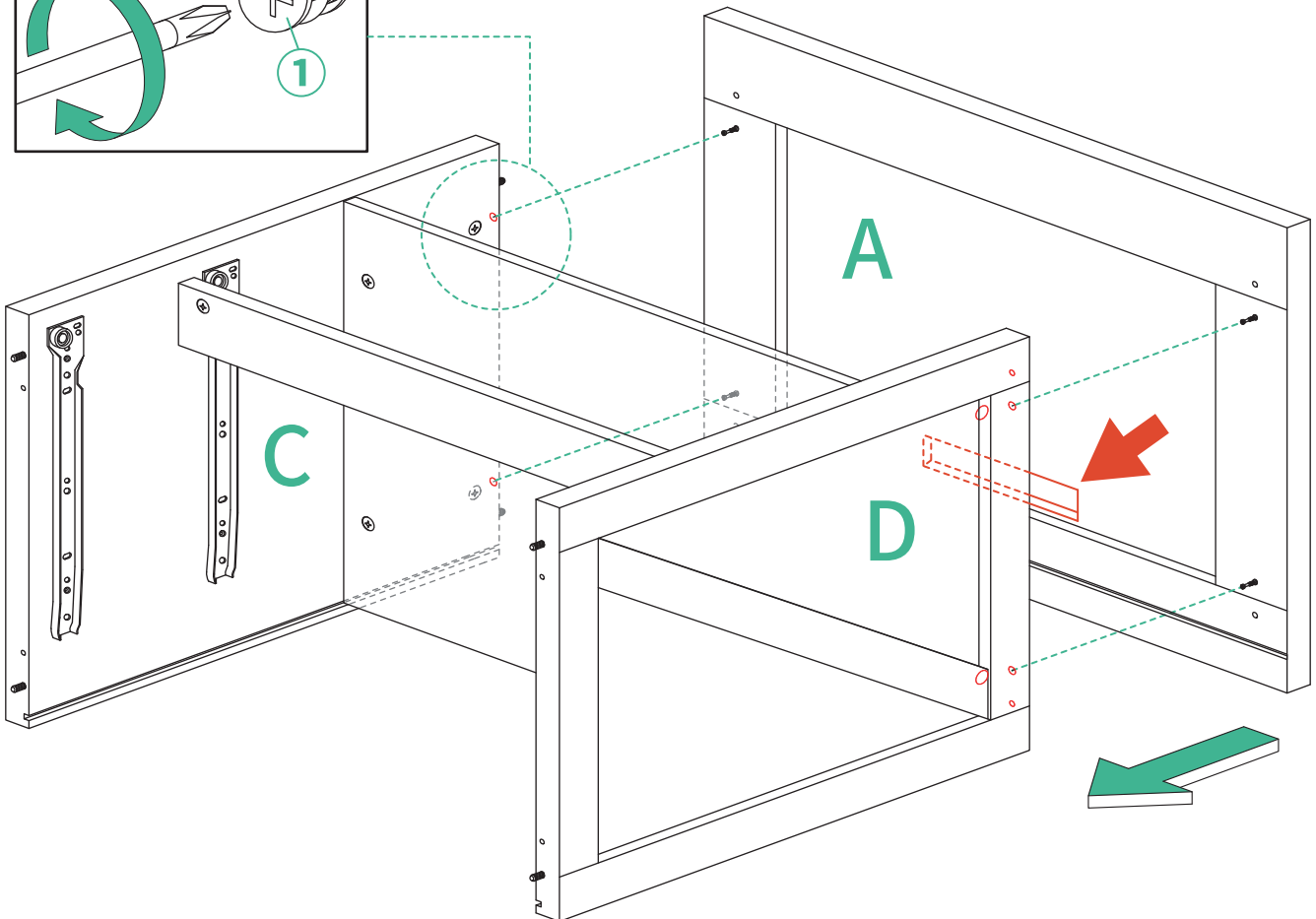
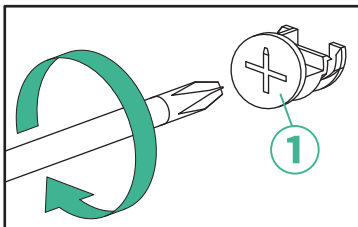
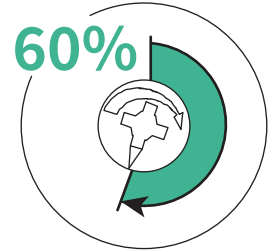
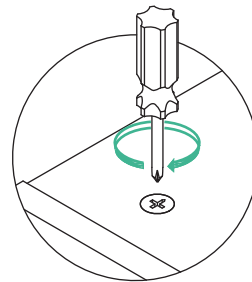
8

11

x1



Press The
Cam Lock

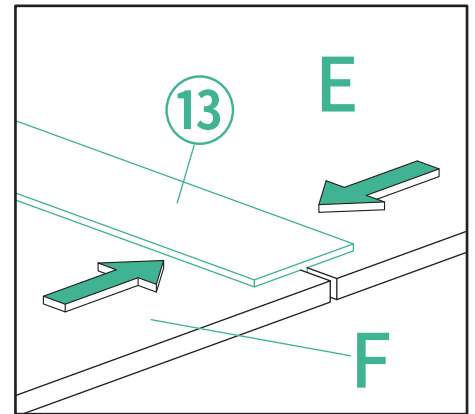
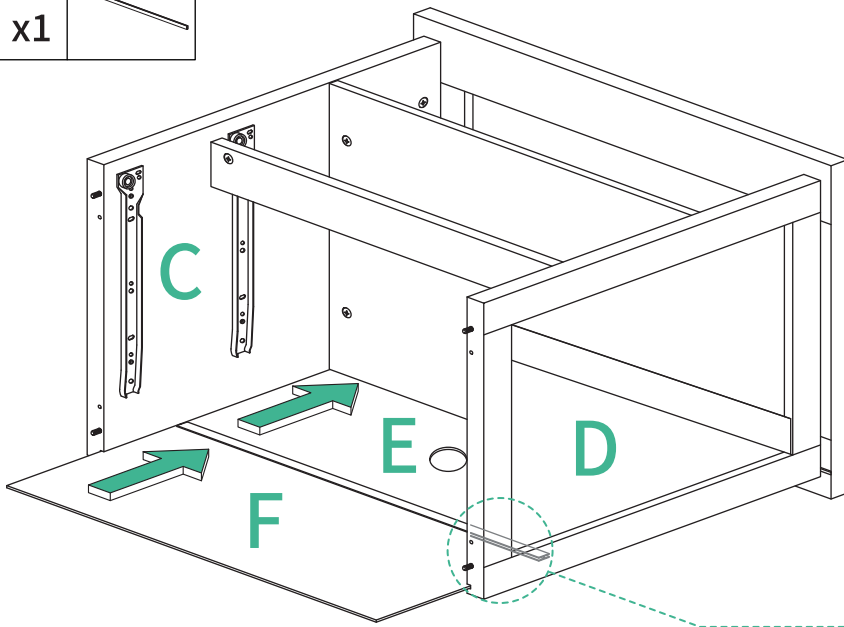
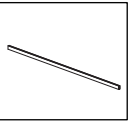


Assembly Instructions

9

13

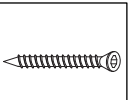
x1



10

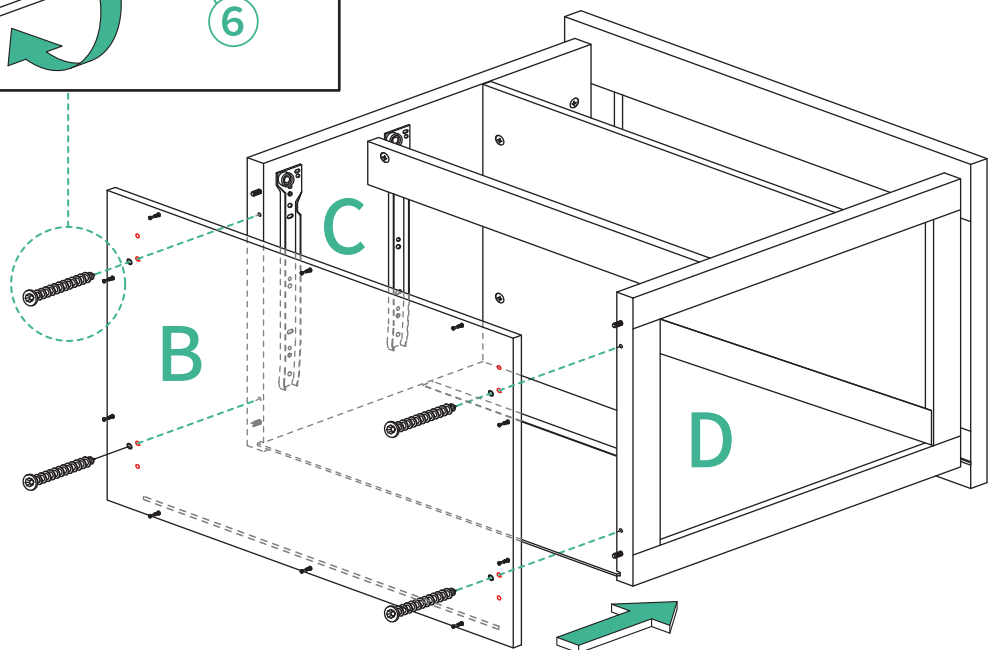
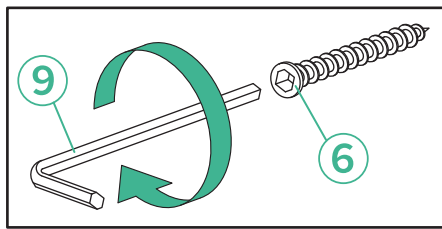
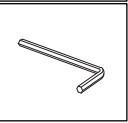
6

x4



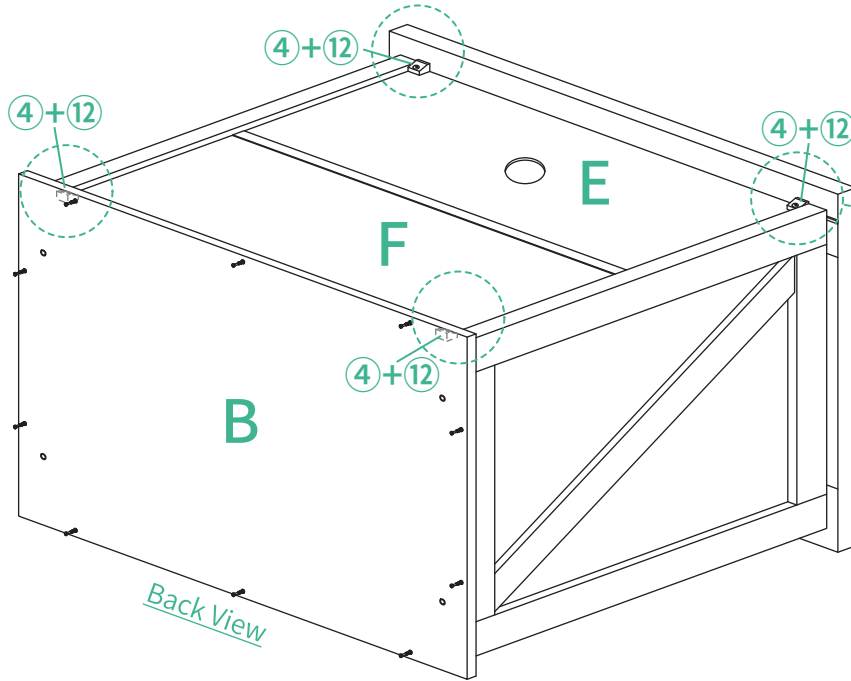
9

x1

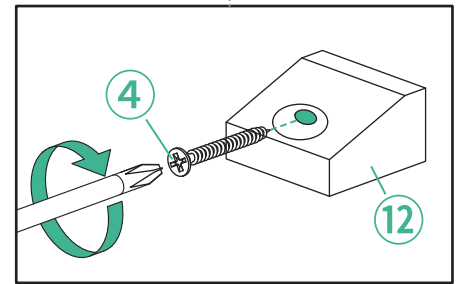


Assembly Instructions

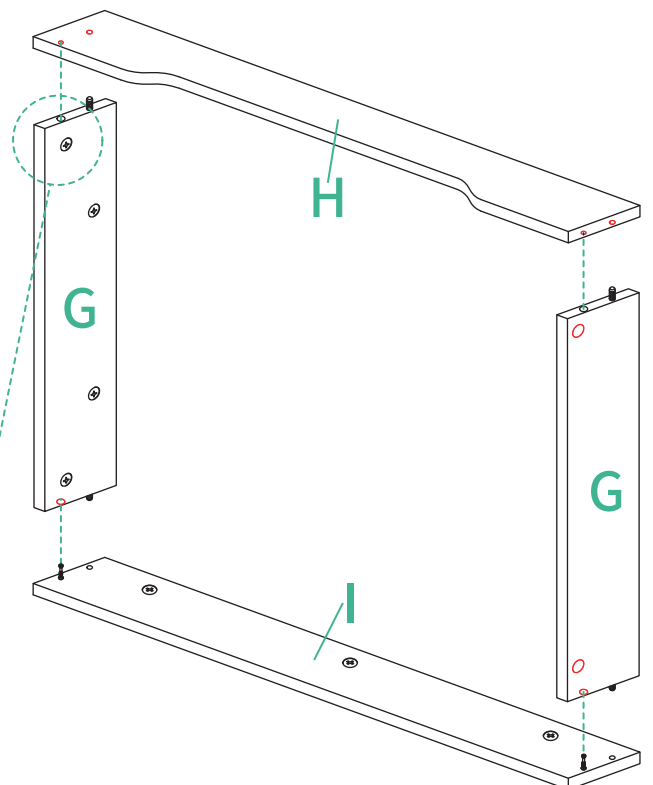
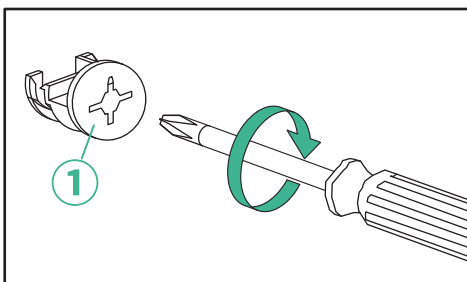
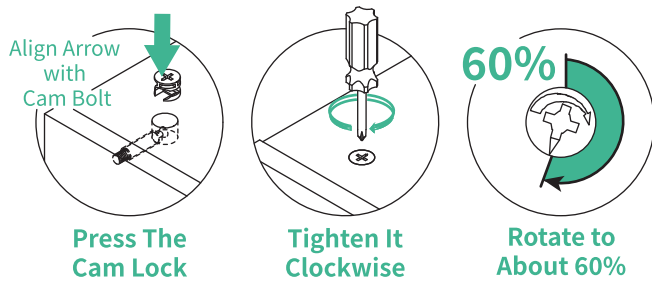
11



4 x4	
12 x4	
11 x1	



12



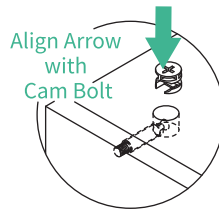
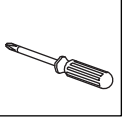
11 x1	
----------	--

Assembly Instructions

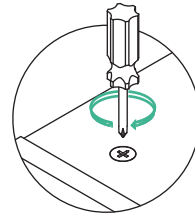
13

11

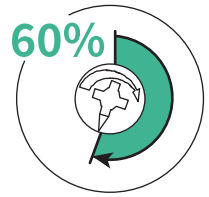
x1



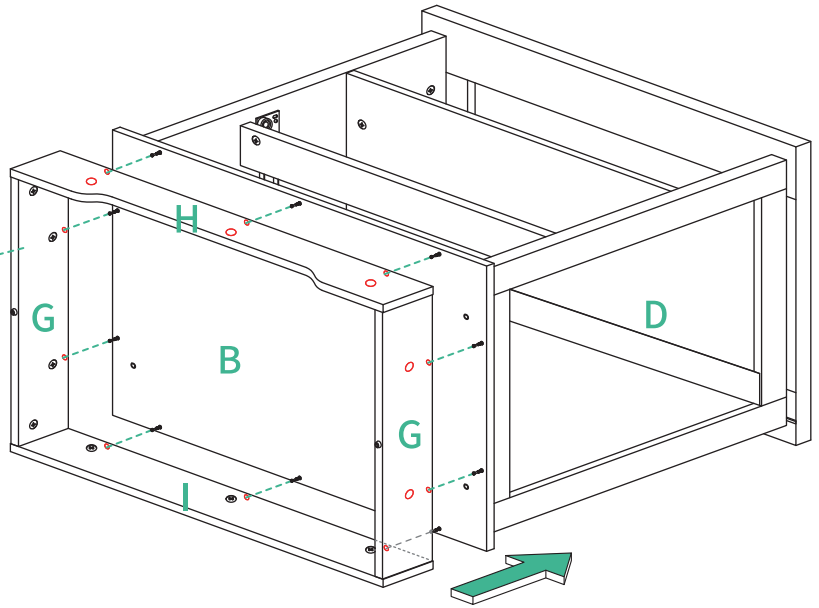
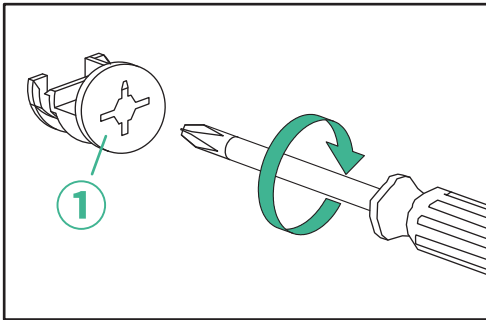
Press The Cam Lock



Tighten It Clockwise



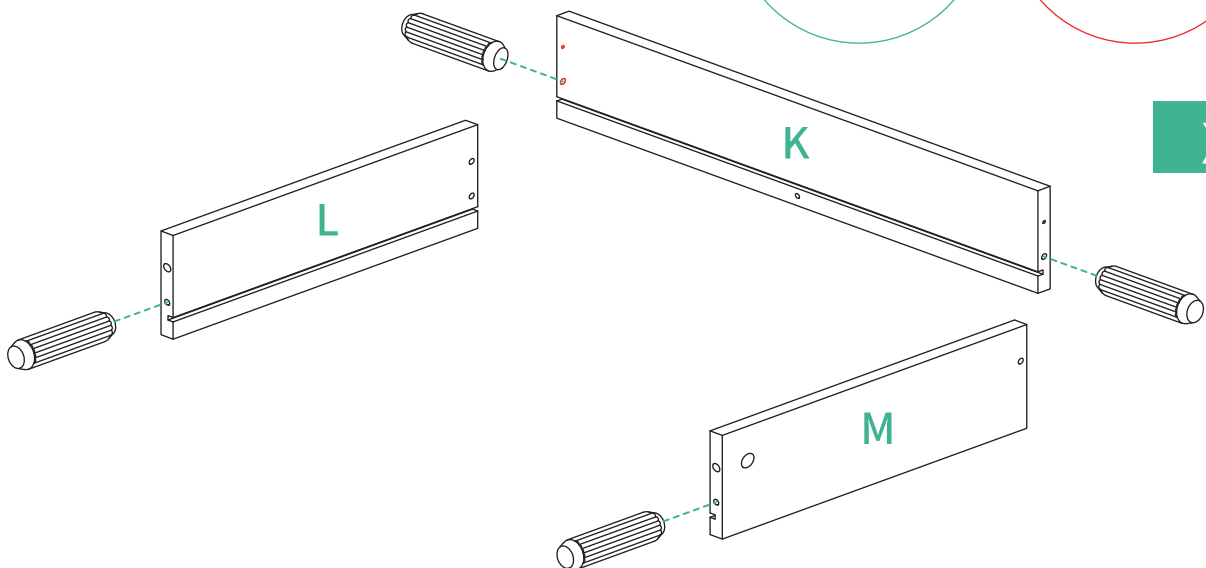
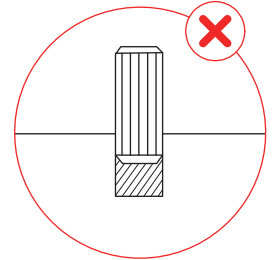
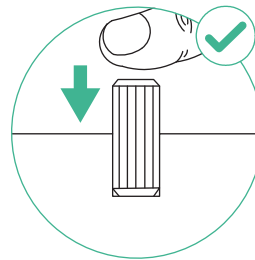
Rotate to About 60%



14

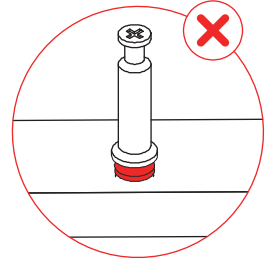
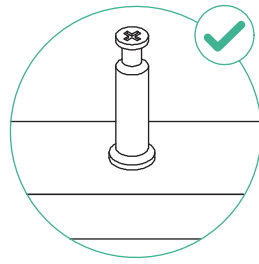
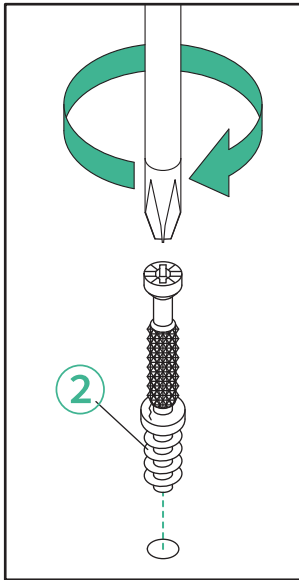
3

x8

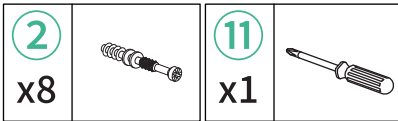
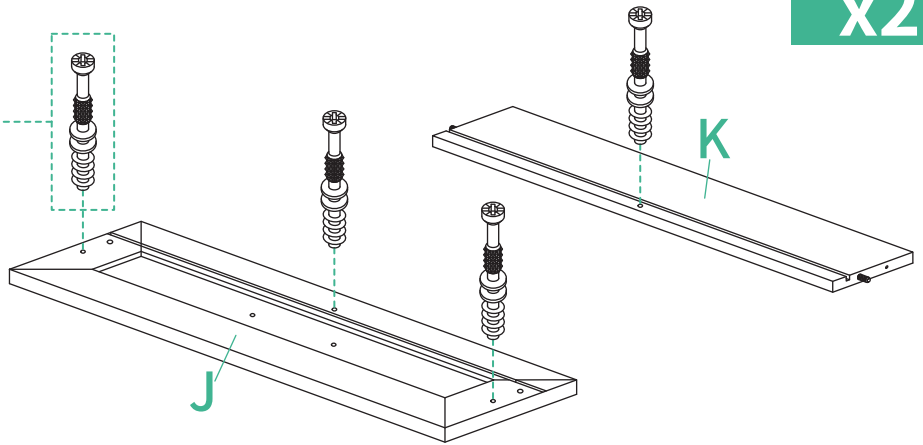


Assembly Instructions

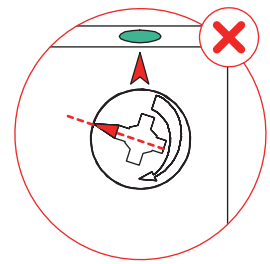
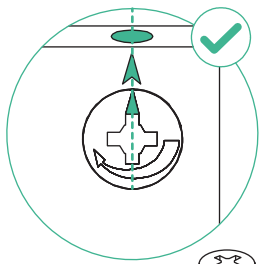
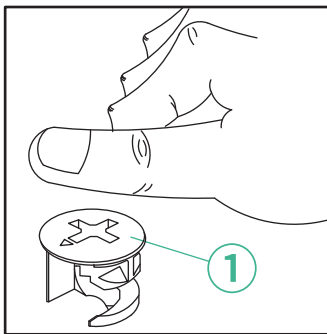
15



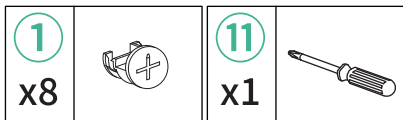
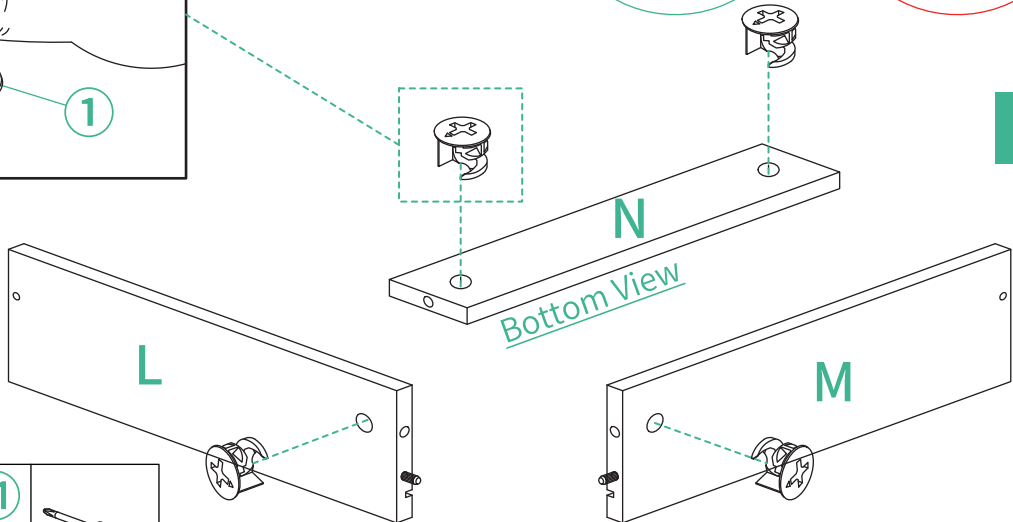
x2



16



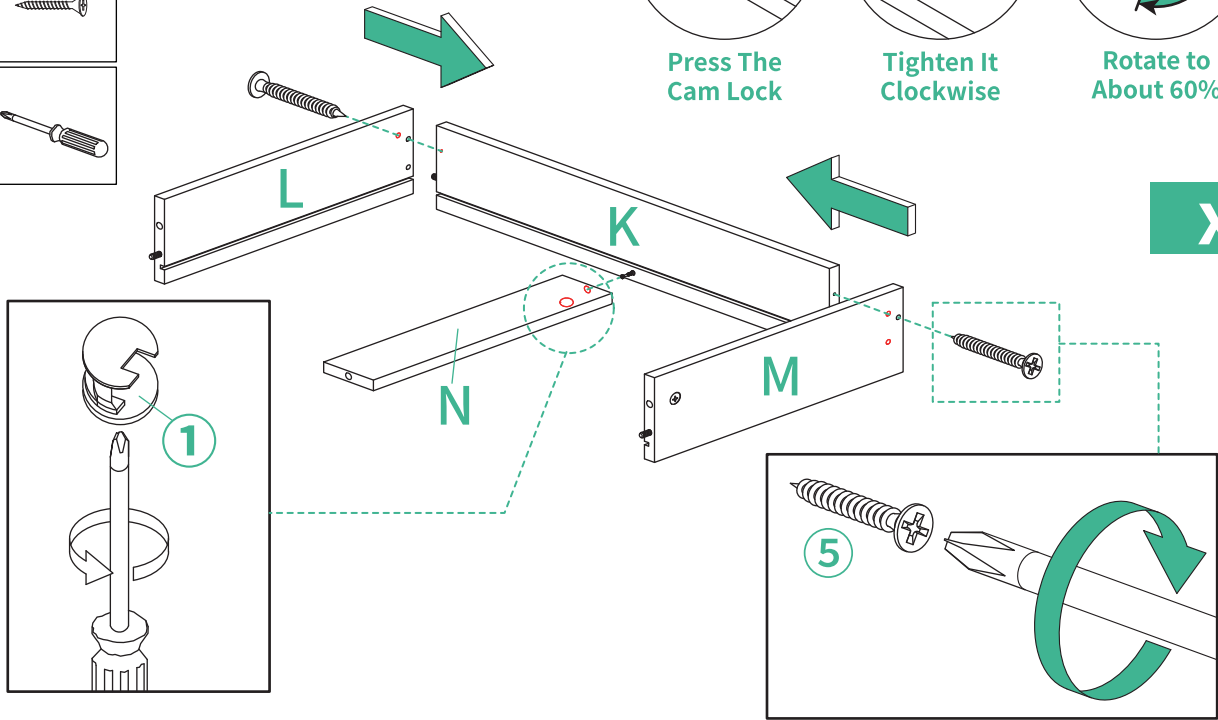
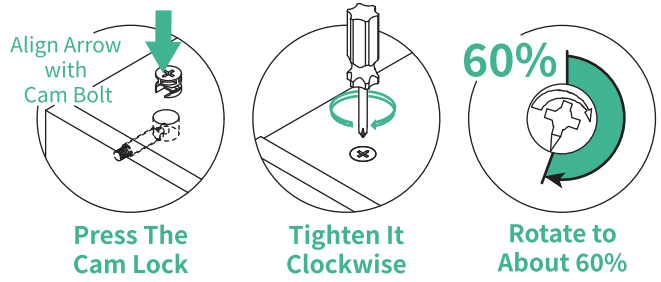
x2



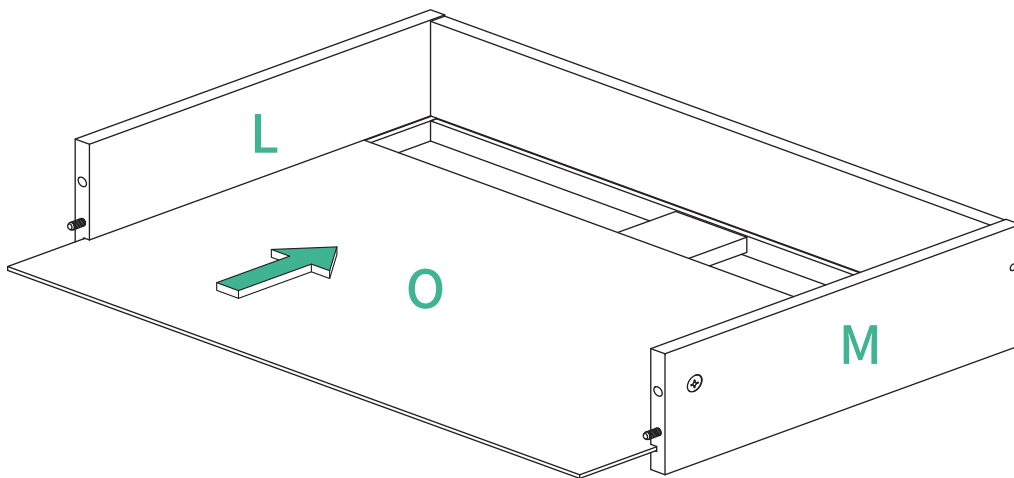
Assembly Instructions

17

- 5 x4
- 11 x1



18

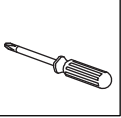


Assembly Instructions

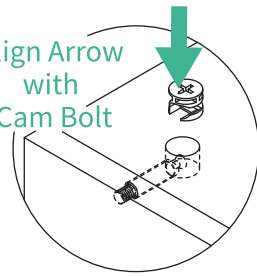
19

11

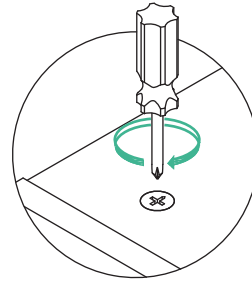
x1



Align Arrow
with
Cam Bolt

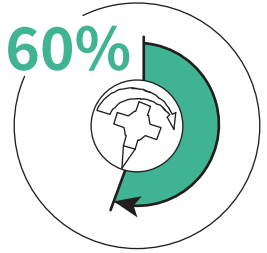


Press The
Cam Lock



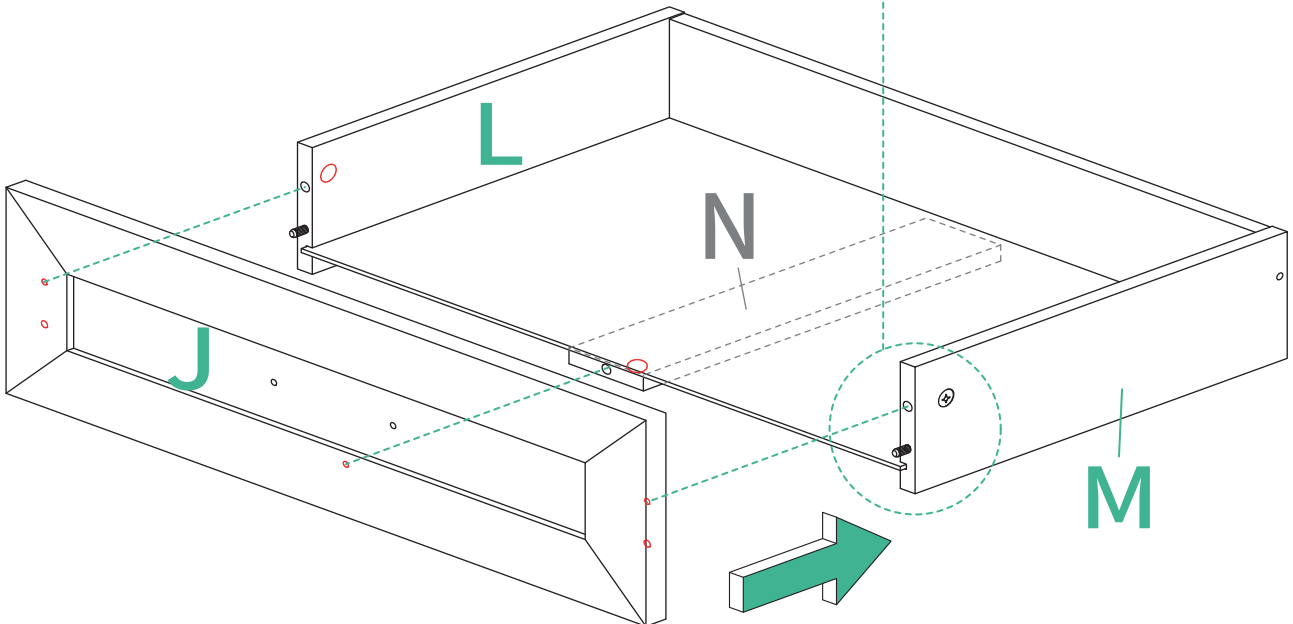
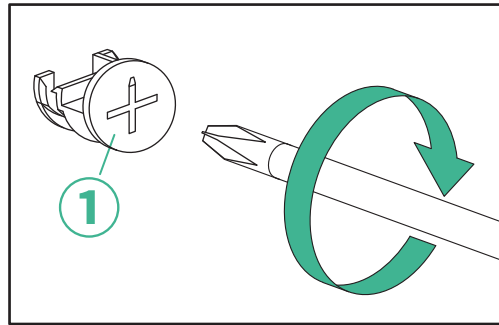
Tighten It
Clockwise

60%



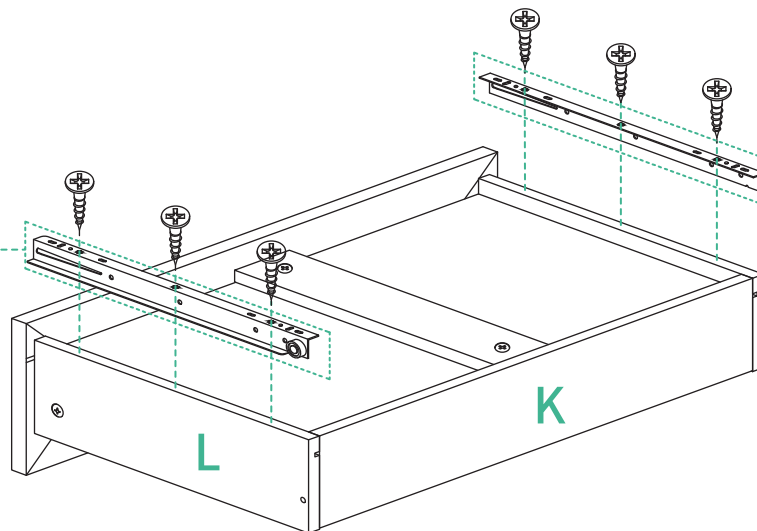
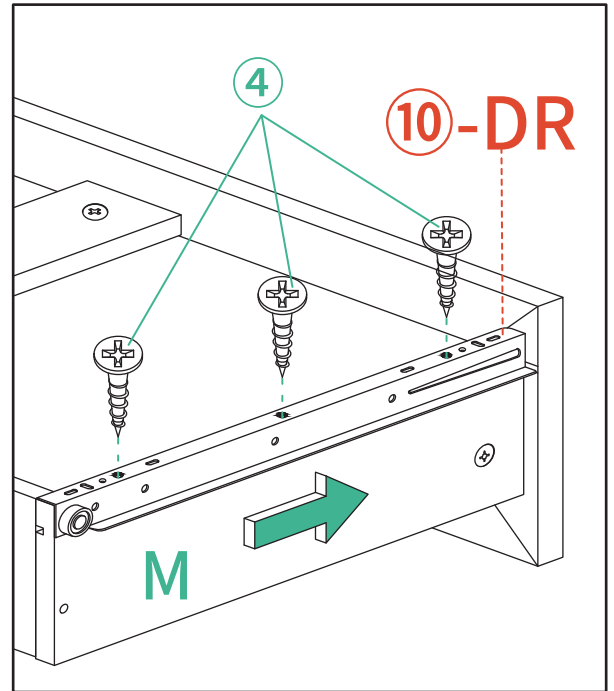
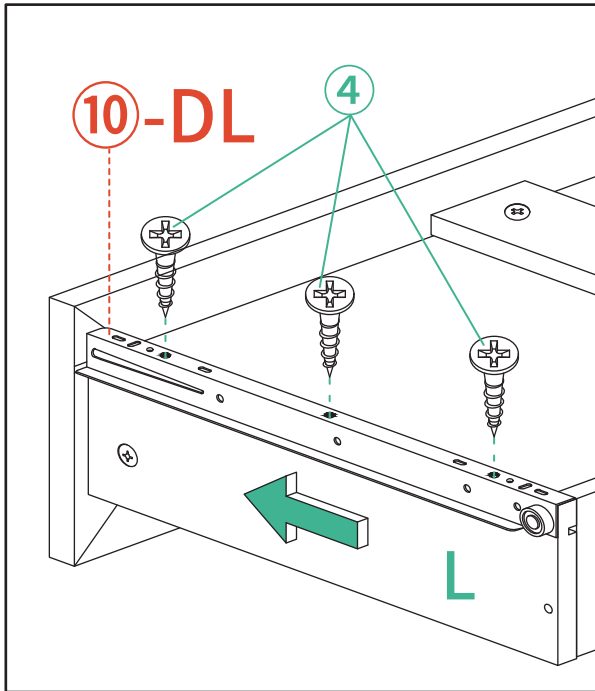
Rotate to
About 60%

x2




x2

20

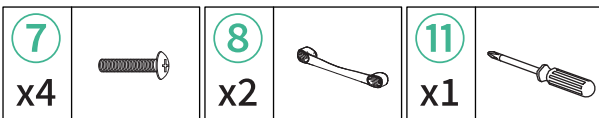
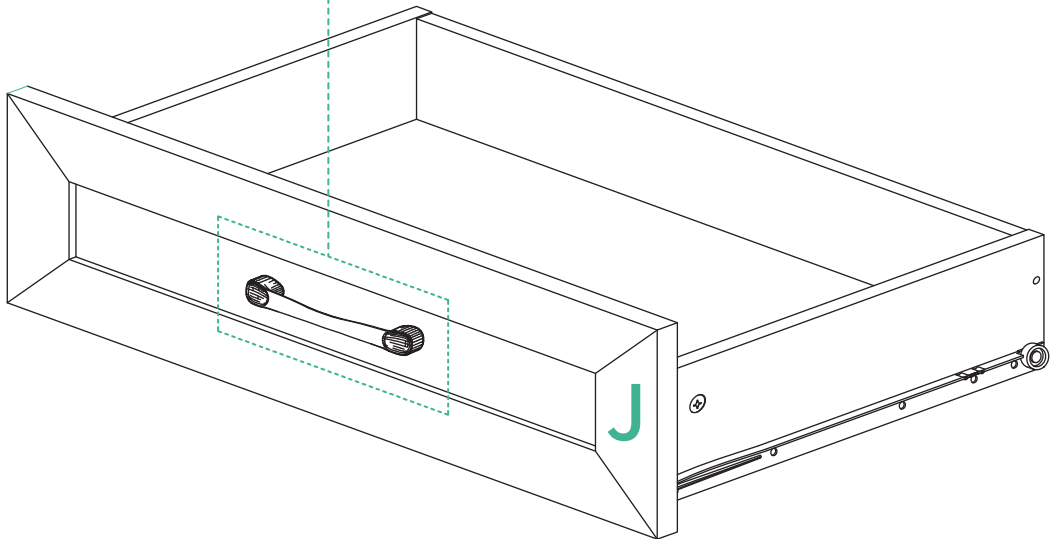
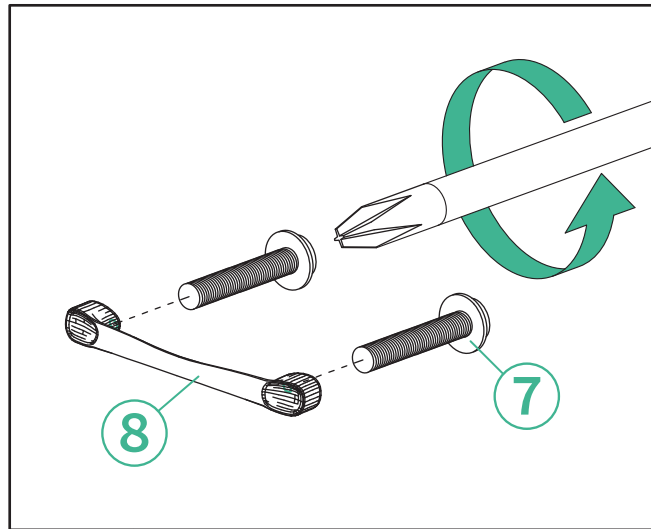


Bottom View

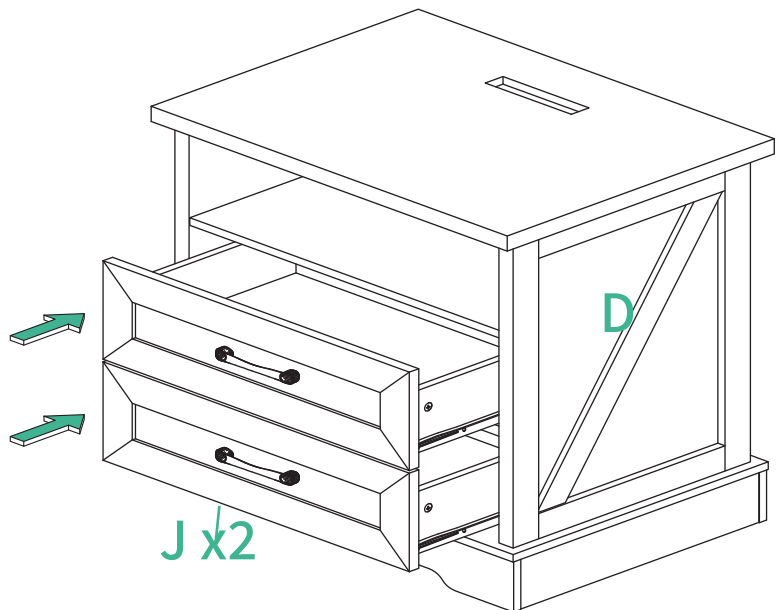
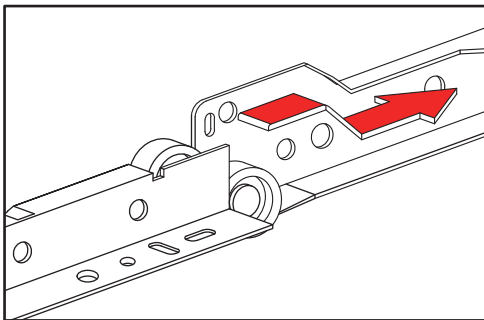
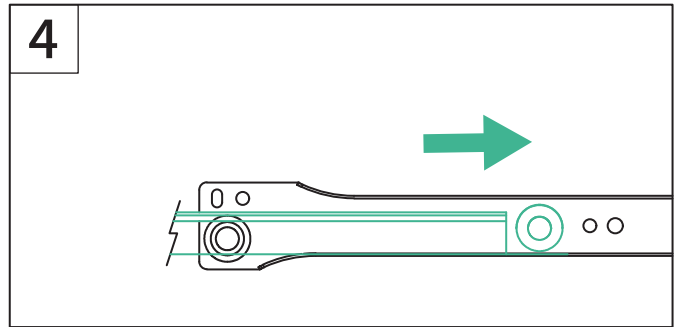
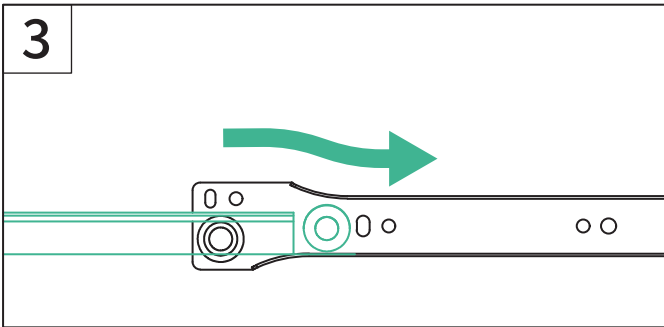
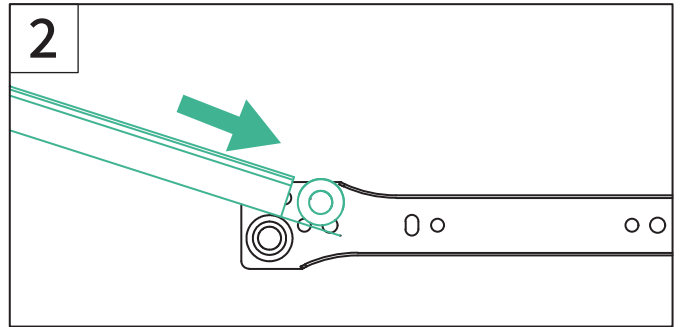
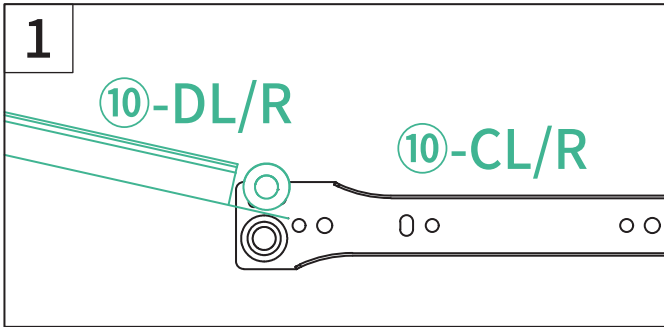
4 x12		10-DL+DR x2		11 x1	
----------	---	----------------	---	----------	---

21

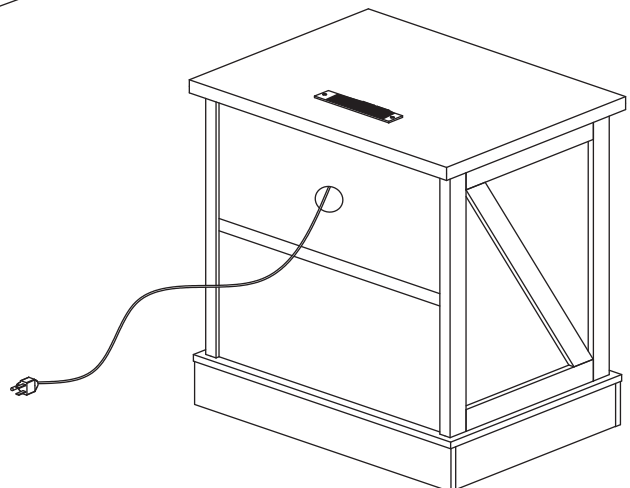
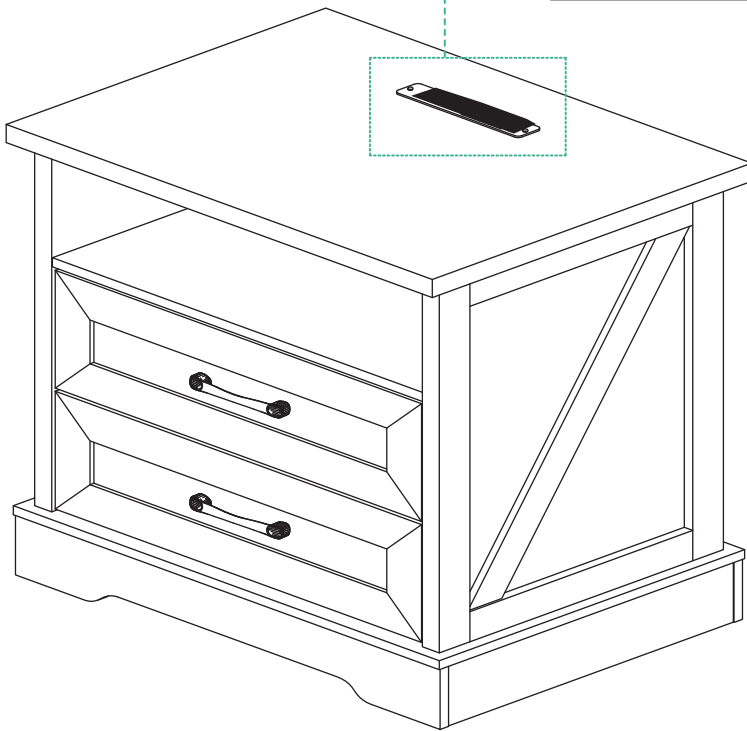
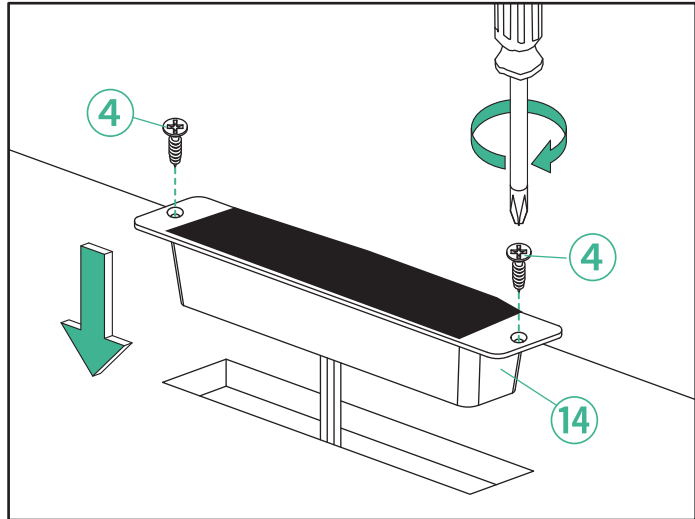
x2



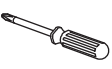


22



23



4	
x2	
14	
x1	
11	
x1	



30 DAY Return Policy

If you're not completely satisfied with your purchase, please return the merchandise via our Official Customer Support. Unused merchandise can be refunded or exchanged within 30 days of purchase.



1-Year Warranty

We guarantee your product is free from defects in product material and workmanship for one (1) year starting from the date of purchase during normal use of household conditions. If your appliance fails to operate properly within our warranty period, we will arrange a new one. Replacement is free and all shipping costs are covered.



Quick Response within 24 Hours

If you are still unable to resolve the issue you are experiencing, please contact us immediately via our support email. It doesn't matter if the product has been installed or not, our customer support team will respond within 24 hours and assist you quickly and efficiently. The most efficient way to confirm your problem to us is to attach a video, which illustrates your product issues.

Problems You May Encounter

PART	PROBLEM	SOLUTION
Whole Product	Parts are missing, defective or having wrong parts in package.	You can contact us and we will get back to you within 24 hours. Or, you can reach us via after-sales email.
	Having issue(s) while reading the instruction or completing the assembly.	You can contact us and we will get back to you within 24 hours. Or, you can reach us via after-sales email.
	Encountering non-human caused damage during usage.	If the product is damaged due to non-human causes, please keep the product and send us photos of it. We will ascertain the cause of the product damage within 48 hours and provide you with a satisfactory solution.
Table Surface	Board Surface is broken, scratched or lack of some screw holes.	You can contact us and we will get back to you within 24 hours. Or, you can reach us via after-sales email.
	The screw holes that on the board and the steel frame don't line up.	<ol style="list-style-type: none"> 1. Please tighten the screws on the board by 70%, do not tighten completely. 2. Adjusting board and steel frame until the screw holes are lined up, then tighten all the screws.
	The board is uneven or not tight that has gaps after being assembled.	<ol style="list-style-type: none"> 1. Loosen the screws in the uneven or gap positions; adjust until the desktops are flat and tight, and then tighten the screws. 2. If your problem still can't be solved, please feel free to contact us.
Steel Frame	The steel frame is bent, broken, painted, rusted or damaged.	You can contact us and we will get back to you within 24 hours. Or, you can reach us via after-sales email.
	The table is unstable after being assembled.	<ol style="list-style-type: none"> 1. Check if the screws are tightened. 2. Read throughout the manual, check are there any parts installed incorrectly or missing assembled. 3. If your problem still can't be solved, please feel free to contact us.
	Encountering non-human caused damage during usage.	If the product is damaged due to non-human causes, please keep the product and send us photos of it. We will ascertain the cause of the product damage within 48 hours and provide you with a satisfactory solution.

We are committed to providing our customers with premium quality products and convenient customer service.

MADE IN MALAYSIA