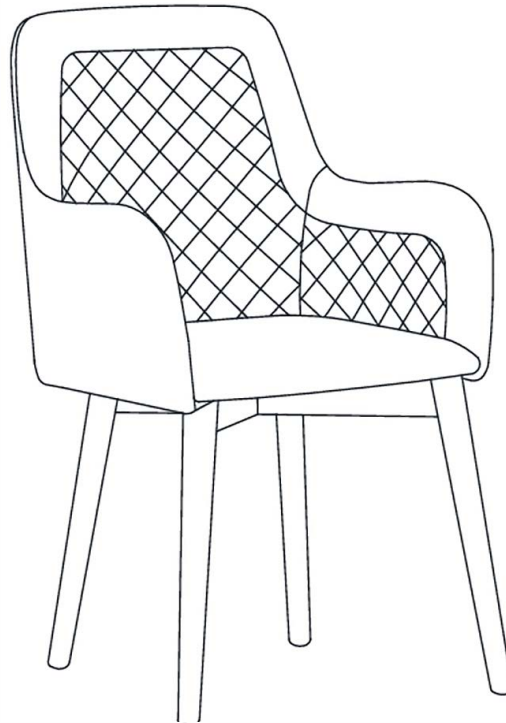


ASSEMBLY INSTRUCTIONS.

DINING CHAIR



THANK YOU FOR YOUR PURCHASE!

PARTS AND HARDWARE.

1. SEAT x1



2. CHAIR LEG x2



3. CROSS PART x1



A. ALLEN KEY M4 x1



B. BOLT M6*15 x4



C. FLAT WASHER DIA 16MM x4



D. BOLT M6*10 x4

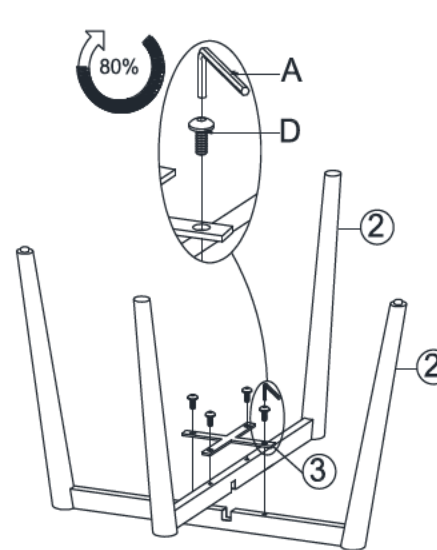


NOTES.

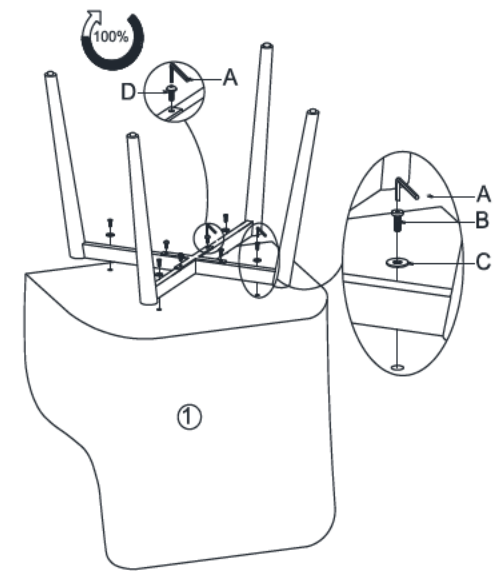
Thank you for purchasing this quality product! Be sure to check all packing material carefully for small part that may have come loose inside the carton during shipping.

CAUTION: The item is heavy, assembly should be performed by two people.

STEP 1.



STEP 2.



STEP 3.

