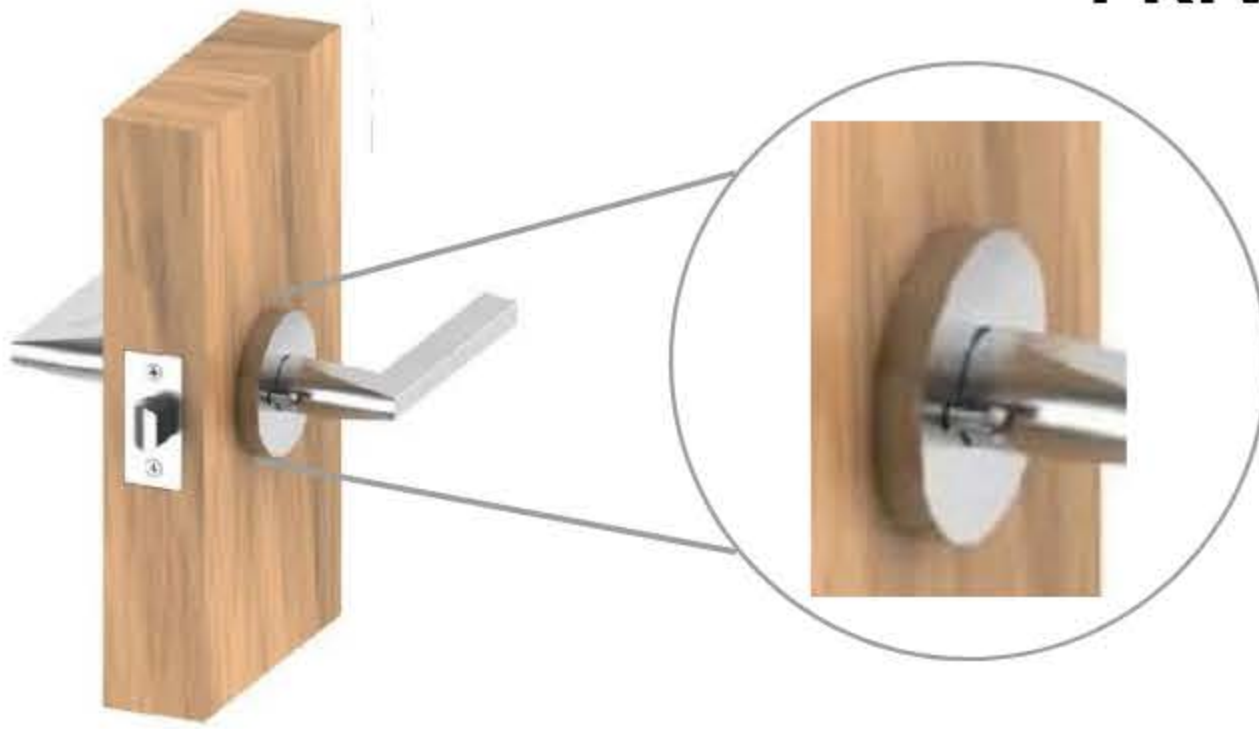


## PASSAGE (NON LOCKING)



Non Locking handle set with tubular latch mechanism. Made for doors with 2 1/8" standard bore hole. Includes everything needed for one door. Used on doors for hallways, laundry rooms, bedrooms etc...

## PRIVACY (LOCKING)

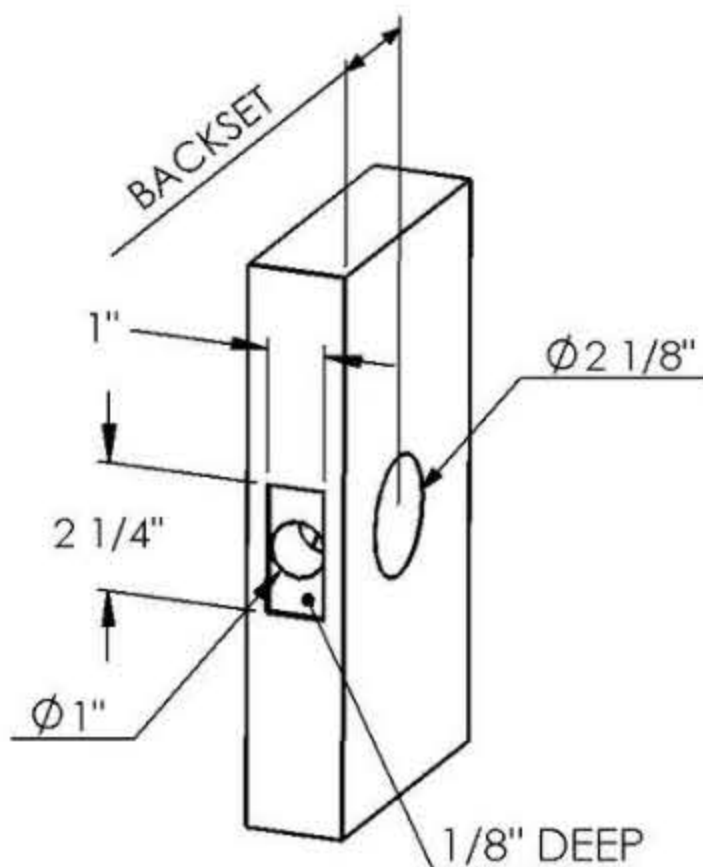


Locking handle set by privacy pin with emergency release on opposite side with tubular latch mechanism. Made for doors with 2 1/8" standard bore hole. Includes everything needed for one door. Used on doors for bathrooms, offices, etc...

## SINGLE DUMMY ( SURFACE MOUNTED CLOSET)



Single handle on one side of the door. Made for doors that do not have any holes and the handle is surface mounted by 2 screws. No latch mechanism. Used on doors for closets, French doors, etc...



**Door Preparation:** The door prep is a set of drilled holes in the door, where the latch and levers will fit in. 2 1/8" is a standard size for a bore hole through the door. Latch faceplate comes with square corners measuring 1" wide by 2 1/4" high and 1/8" deep

**Backset:** The backset is the distance from the edge of the door to the center of the 2 1/8" borehole. These are two common backsets for residential door locks: 2 3/8" (60mm) and 2 3/4" (70mm).

\*Please accurately measure prior to ordering.\*