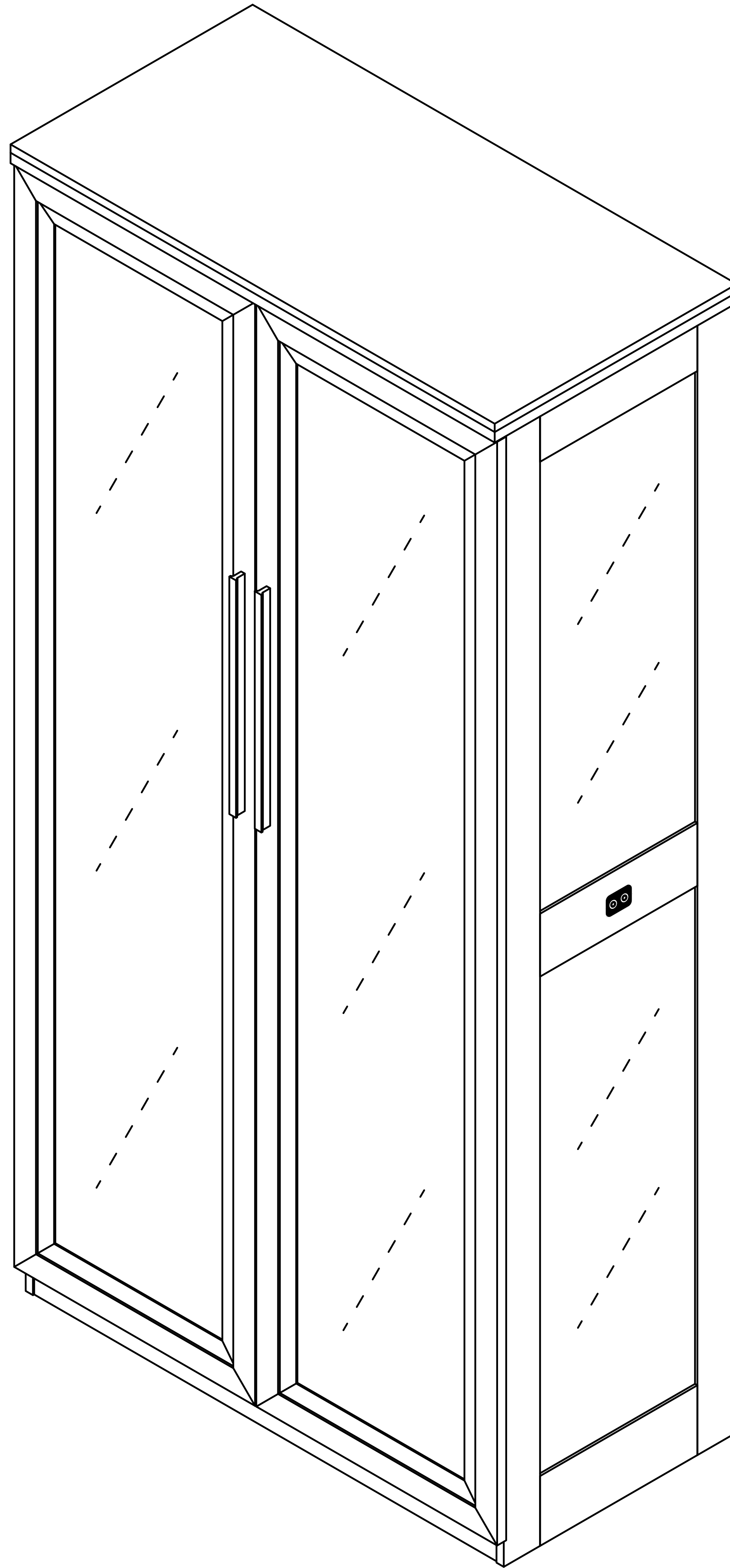
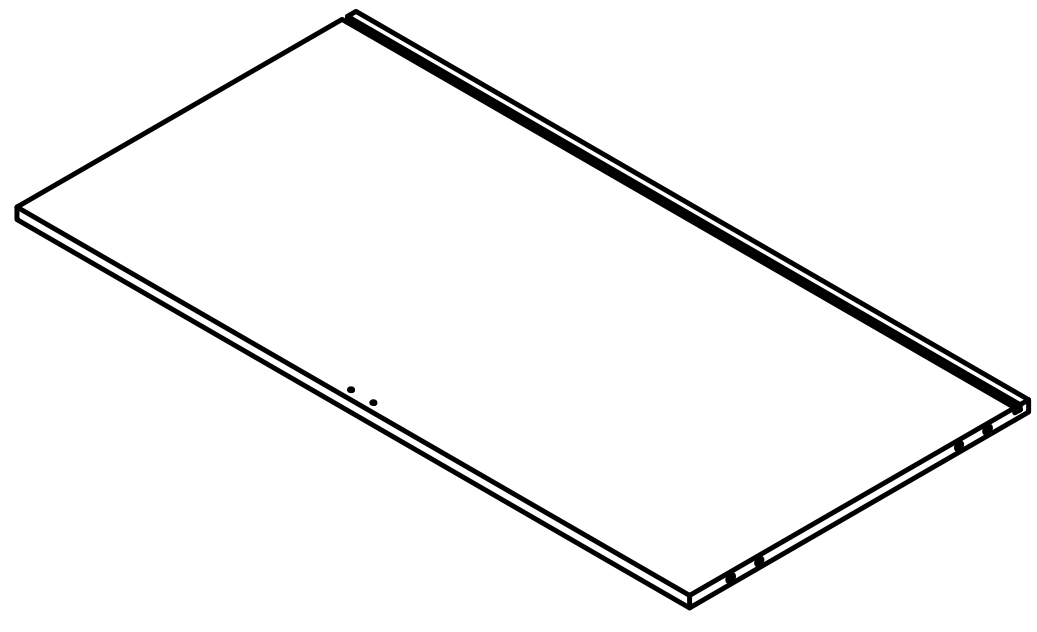
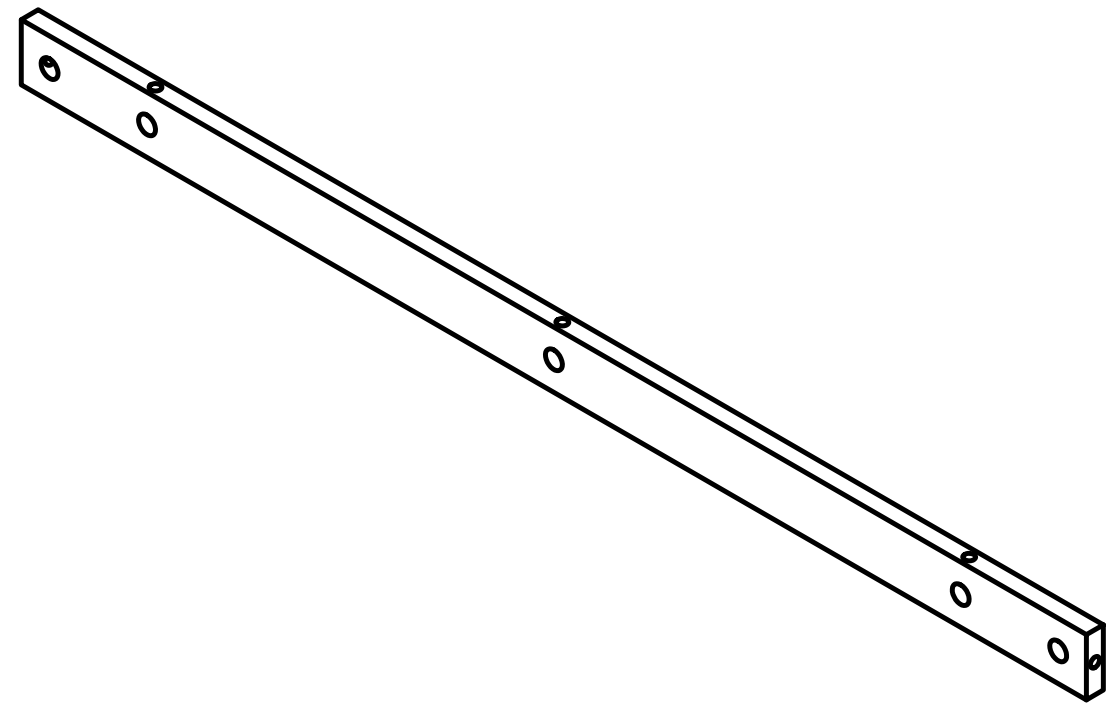


Product Installation Instructions

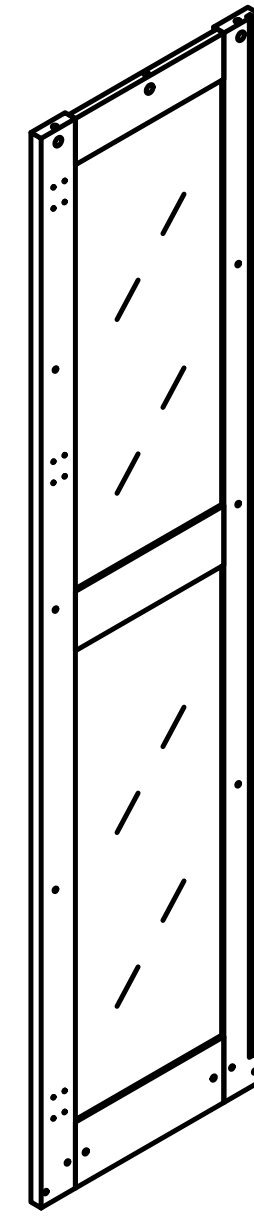




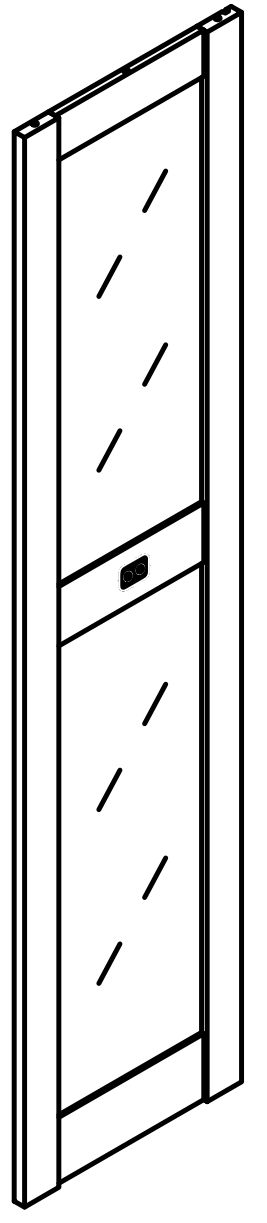
Ax1



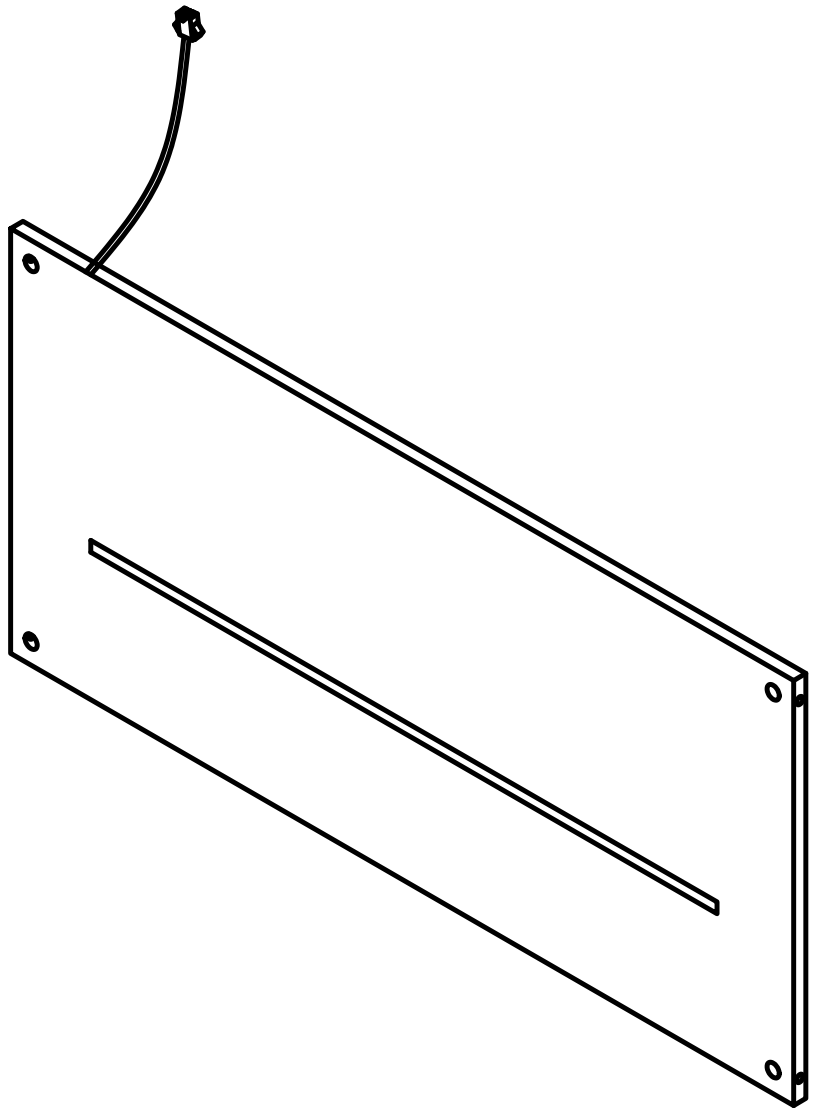
Bx2



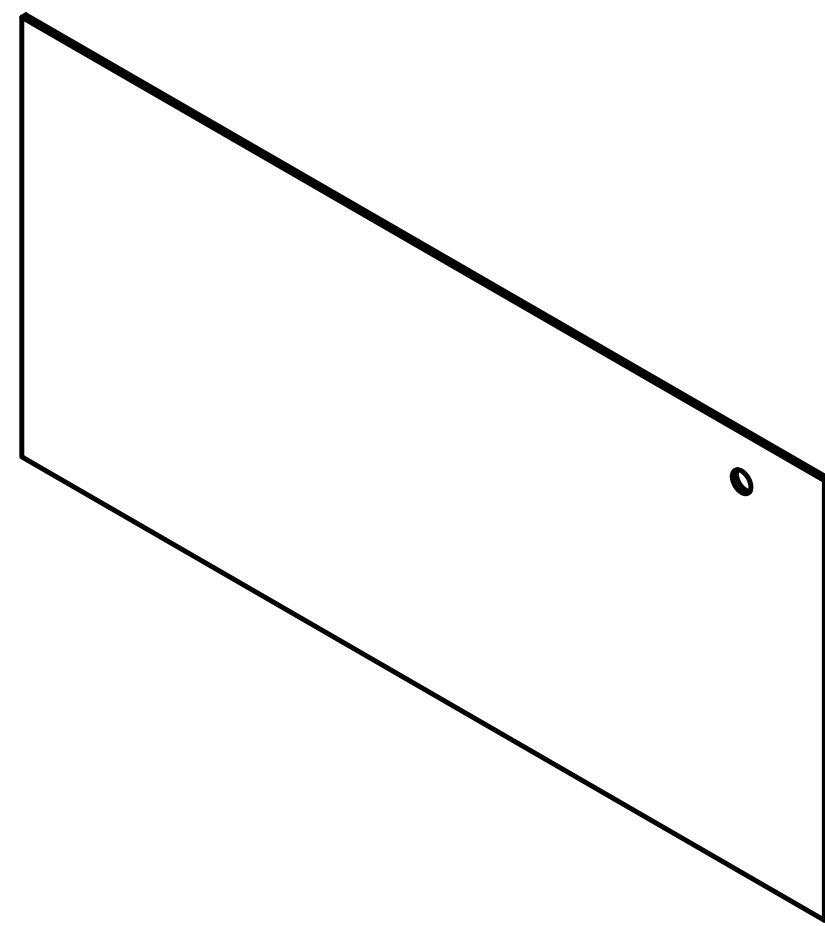
Cx1



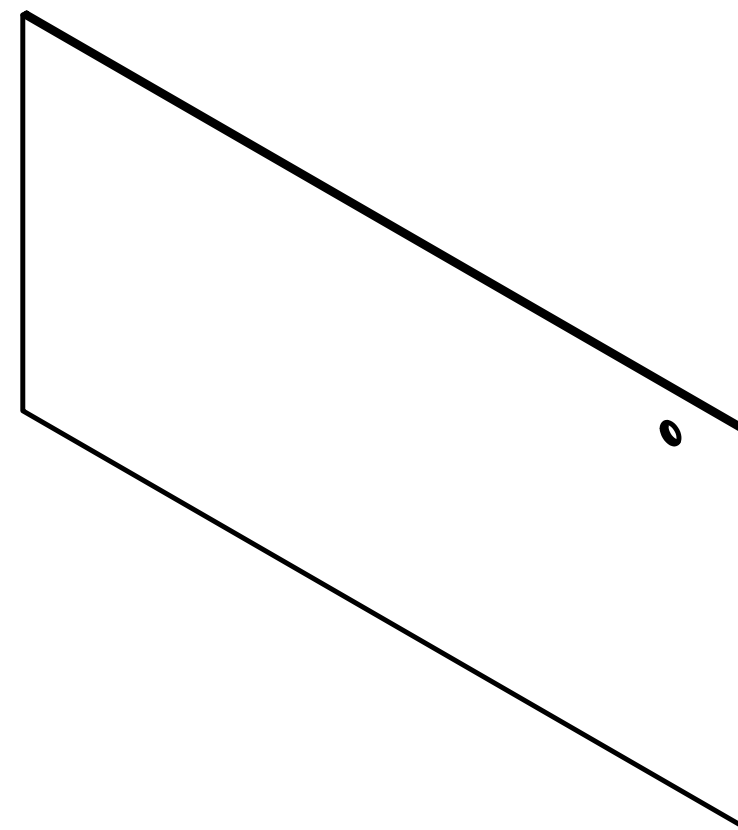
Dx1



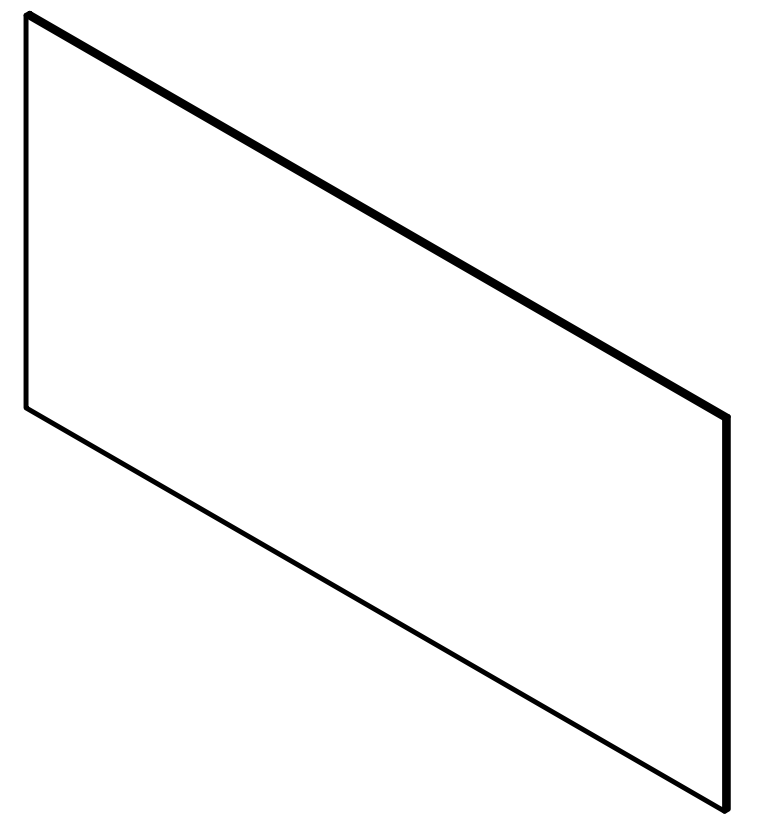
Ex3



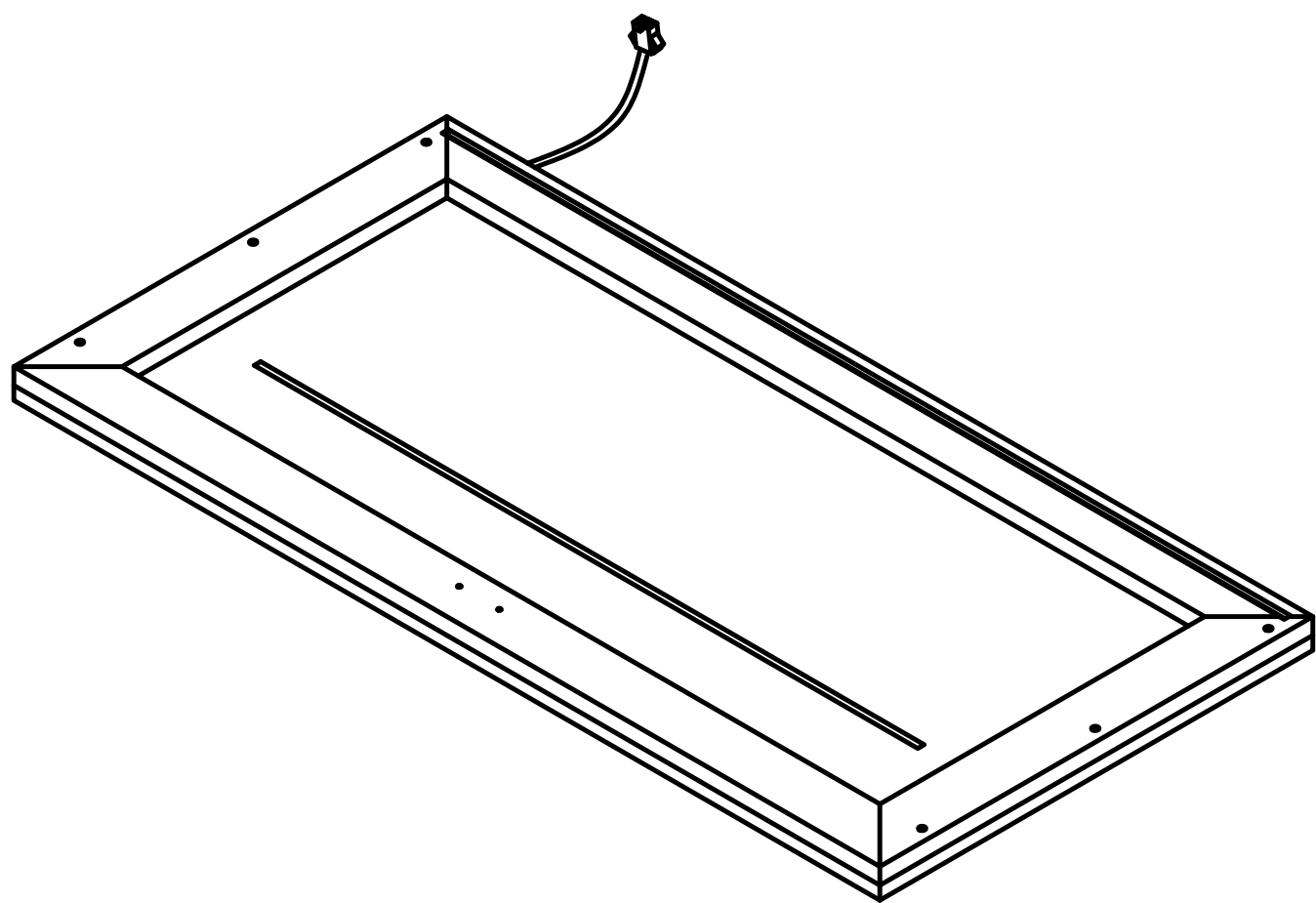
Fx2



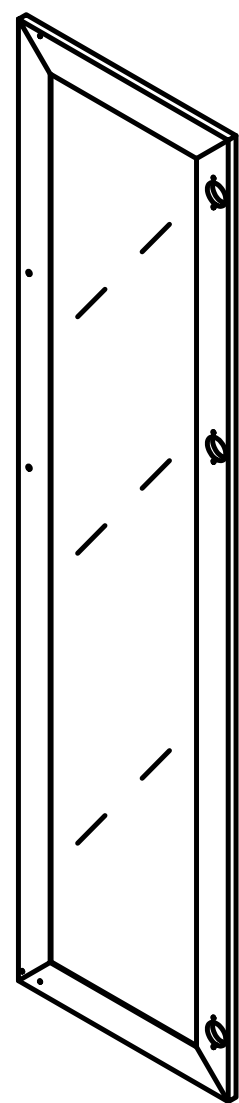
Gx1



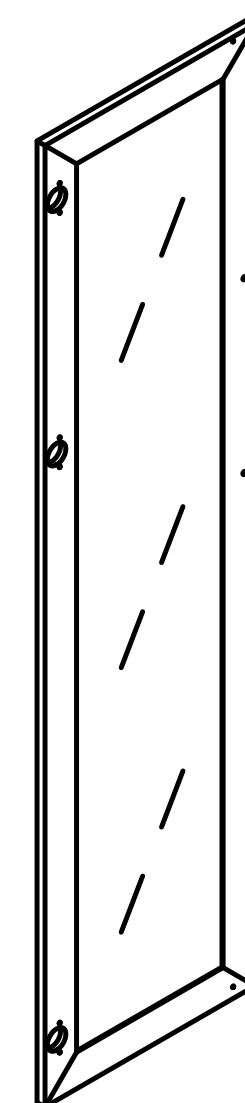
Hx1



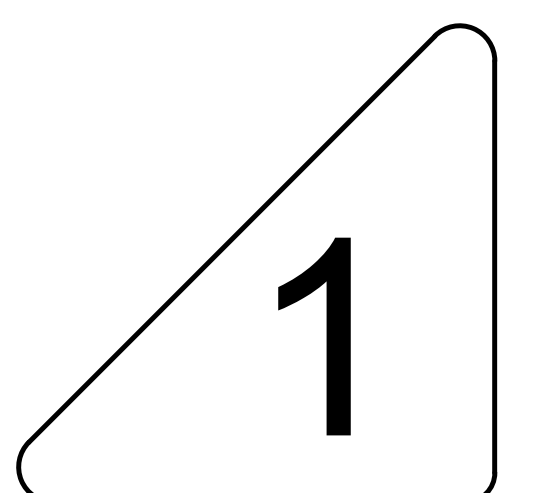
Ix1



Jx1

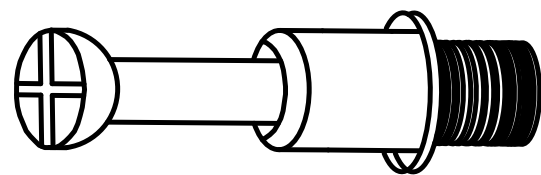
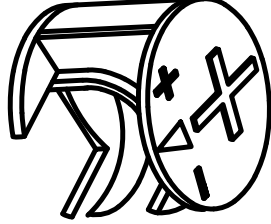
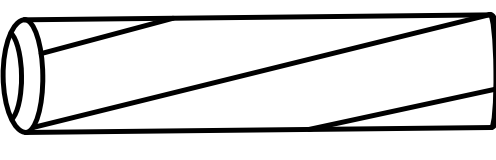
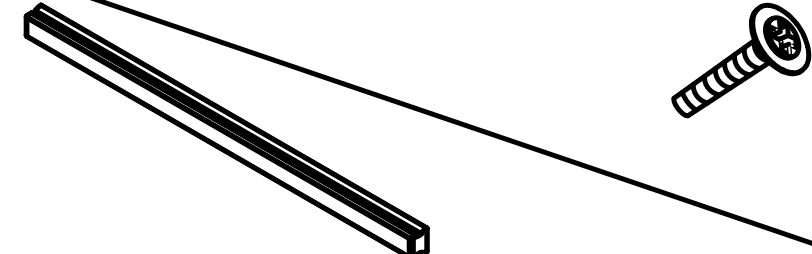
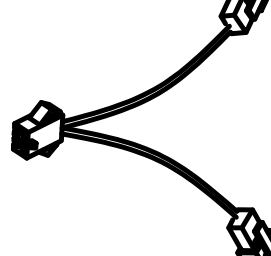
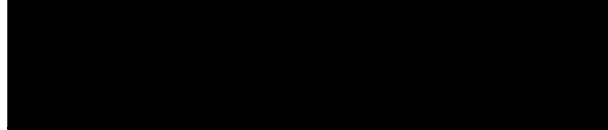
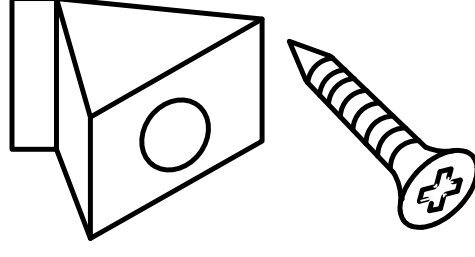
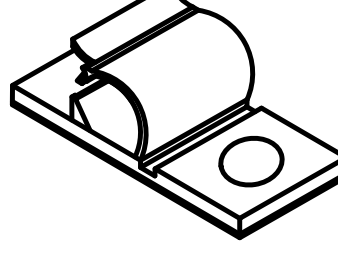
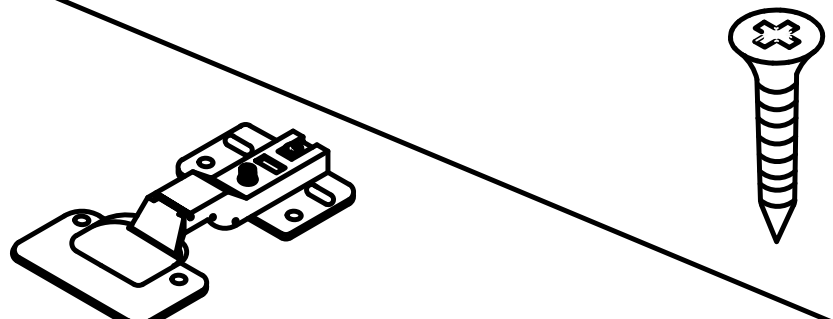
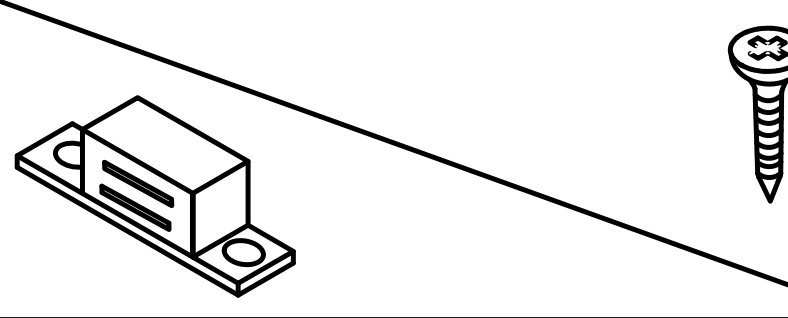
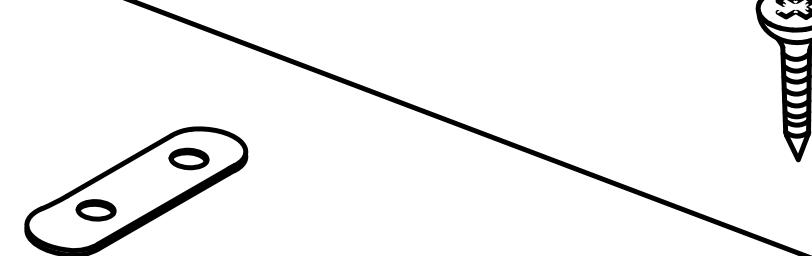
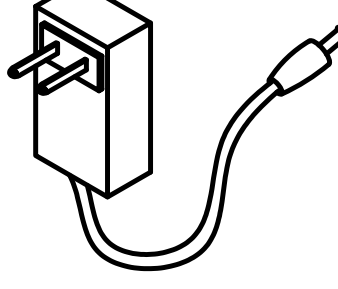
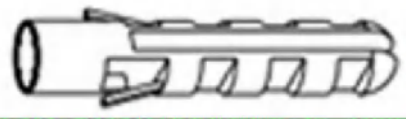
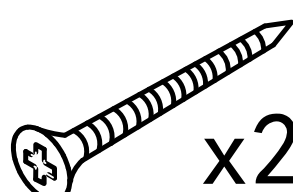
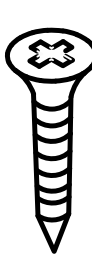

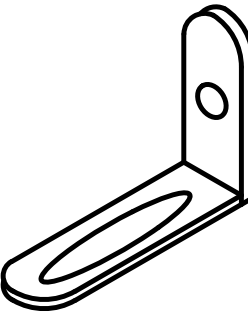
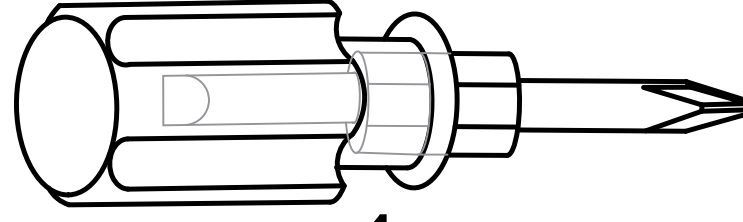
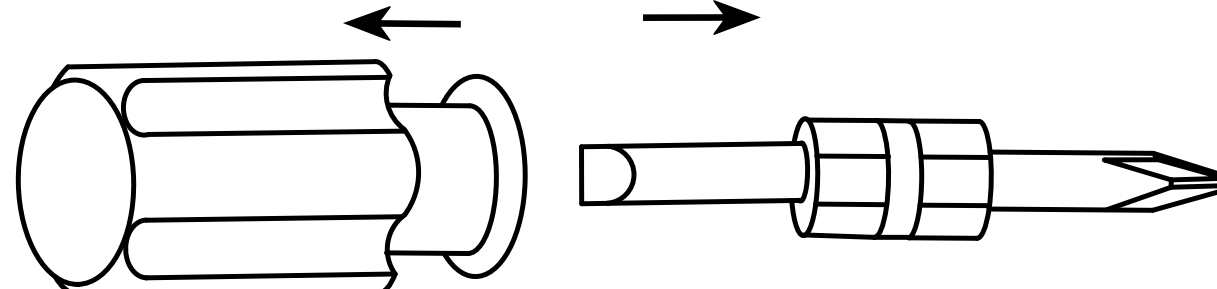



Kx1

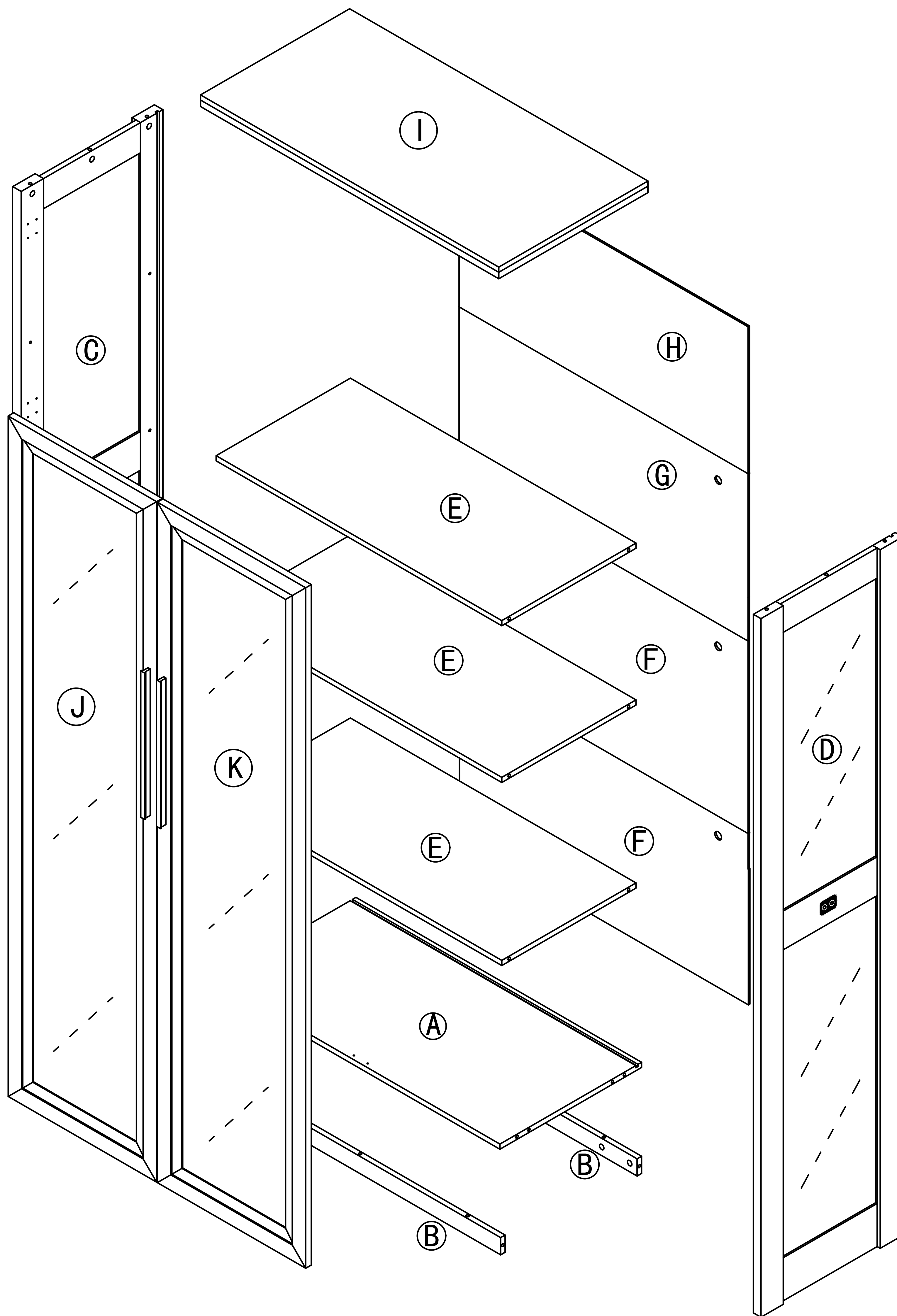


1

Accessories list

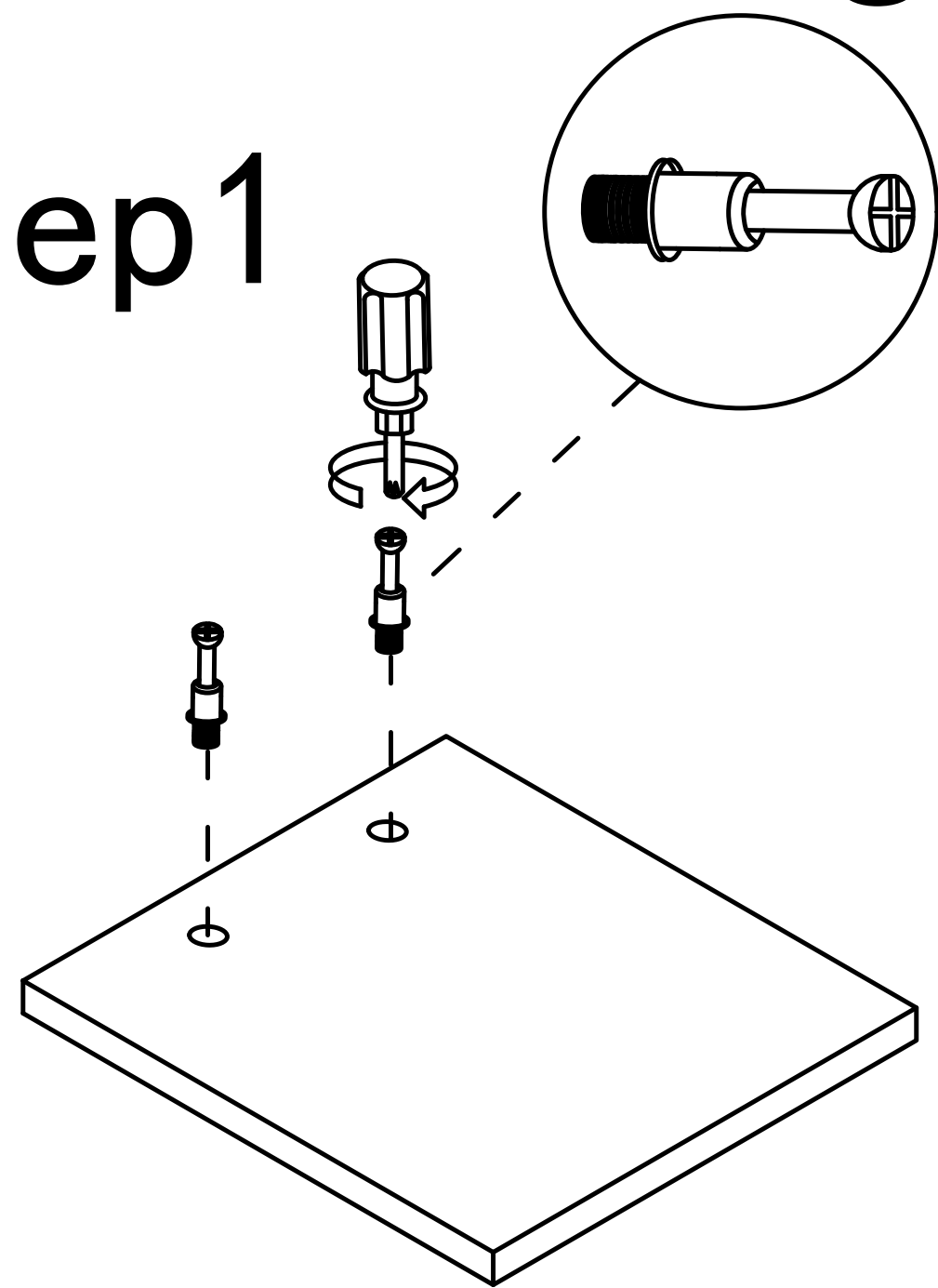
①		Two in one screw (6x28mm)	32pcs +4pcs
②		Two in one nut (10x12mm)	32pcs +4pcs
③		Wood chipping (6x30mm)	4pcs +2pcs
④		Handle & Screw (4x18mm)	4pcs +1pcs 2pcs
⑤		Fork line	2pcs
⑥		Non-slip pads	6pcs
⑦		Fixing clip & screw (3x16mm)	12pcs +2pcs
⑧		Wire clamp	4pcs +1pcs
⑨		Hinge & Screw (3.5x12mm)	36pcs +6pcs 6pcs
⑩		Magnetic attraction Screw (3.5x12mm)	4pcs +1pcs 2pcs
⑪		Iron sheet Screw (3x10mm)	8pcs +1pcs 4pcs
/		AC/DC Adapter (12V==2.0A)	1pcs
⑫	Anti Fall Hardware	Double-head screwdriver, use as required	
 x2  x2 (4x45mm)  x2 (3.5x14mm)  x4  x2		 1pcs  	

Product structure decomposition

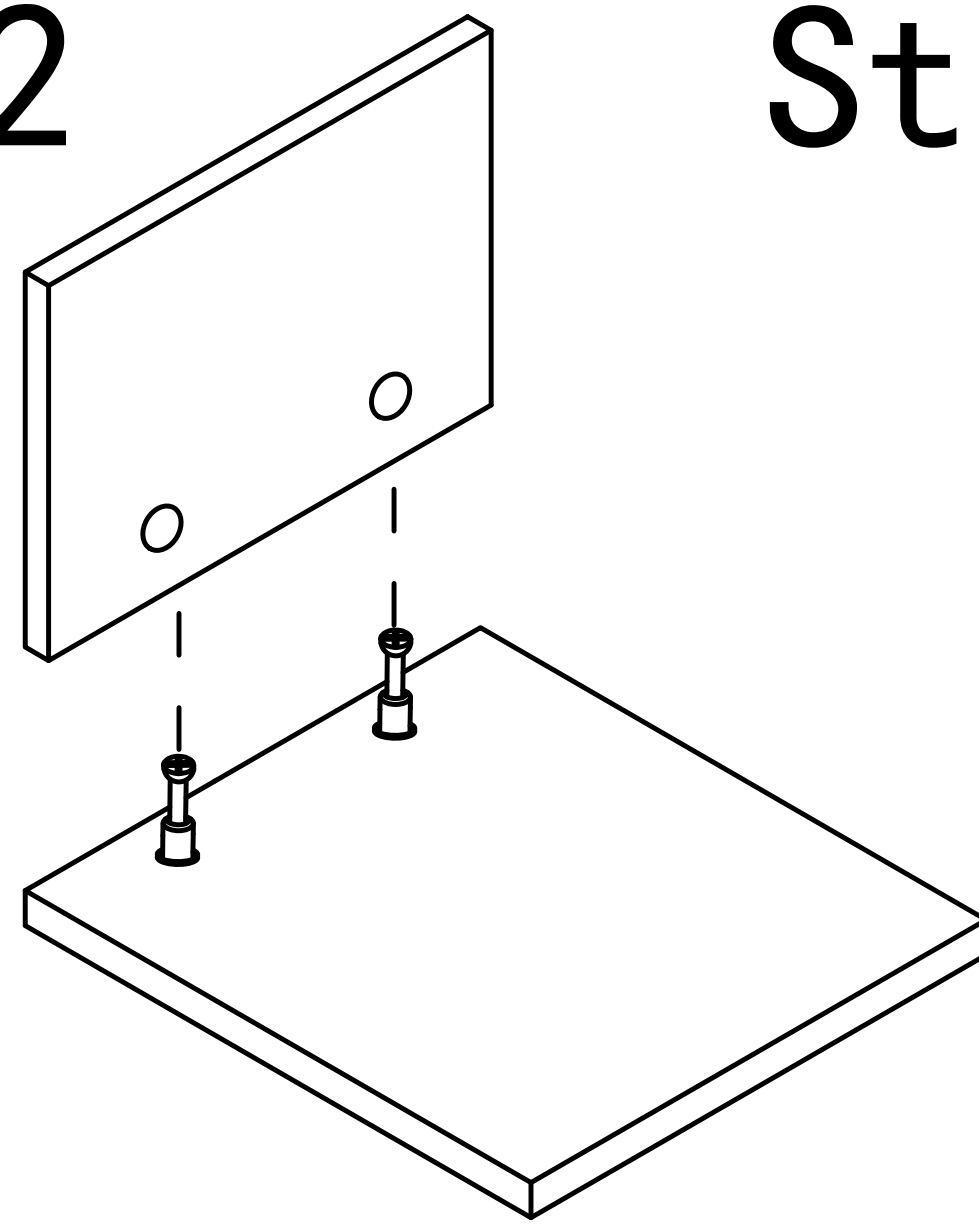


Use parts ① and ②

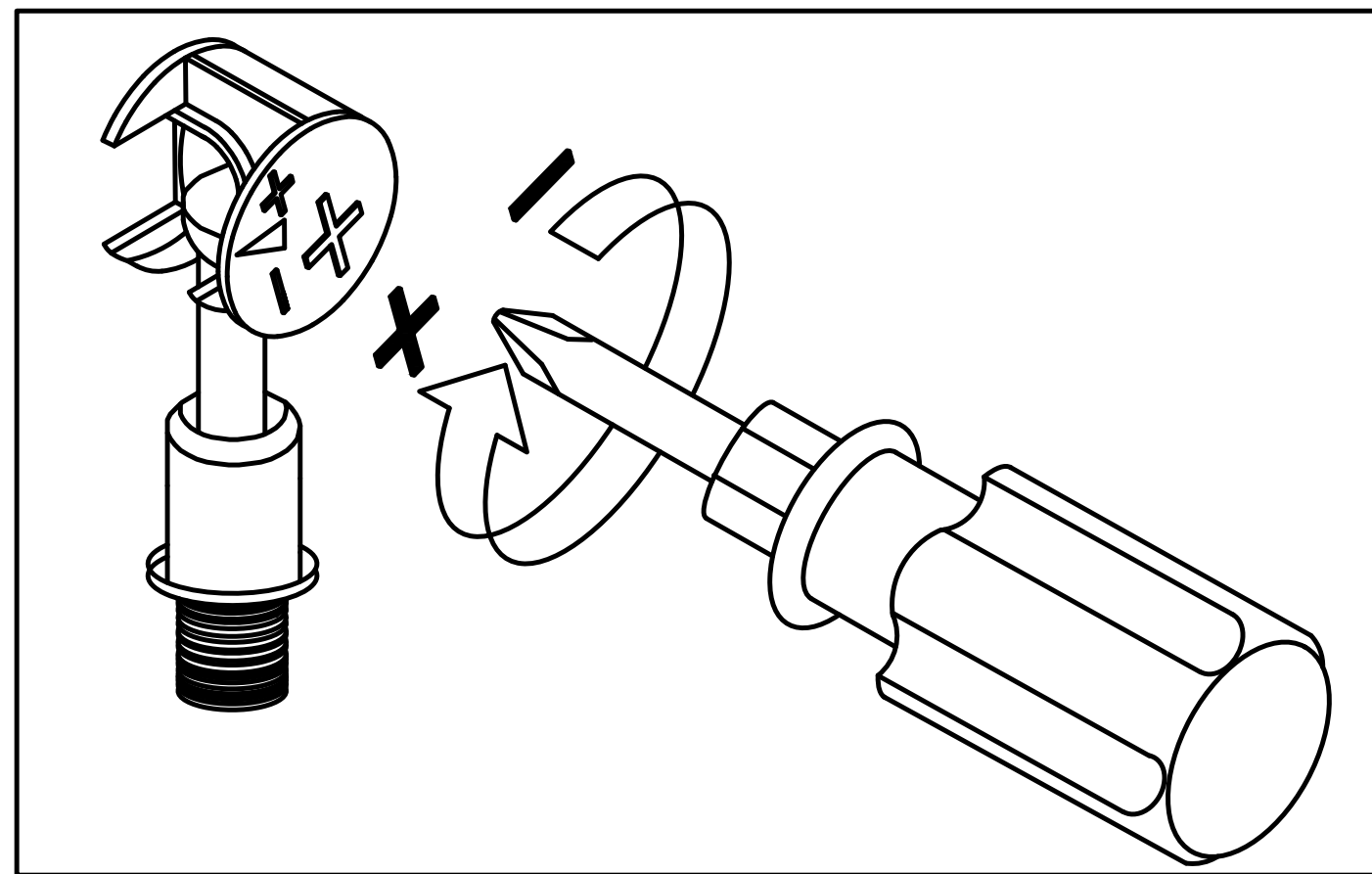
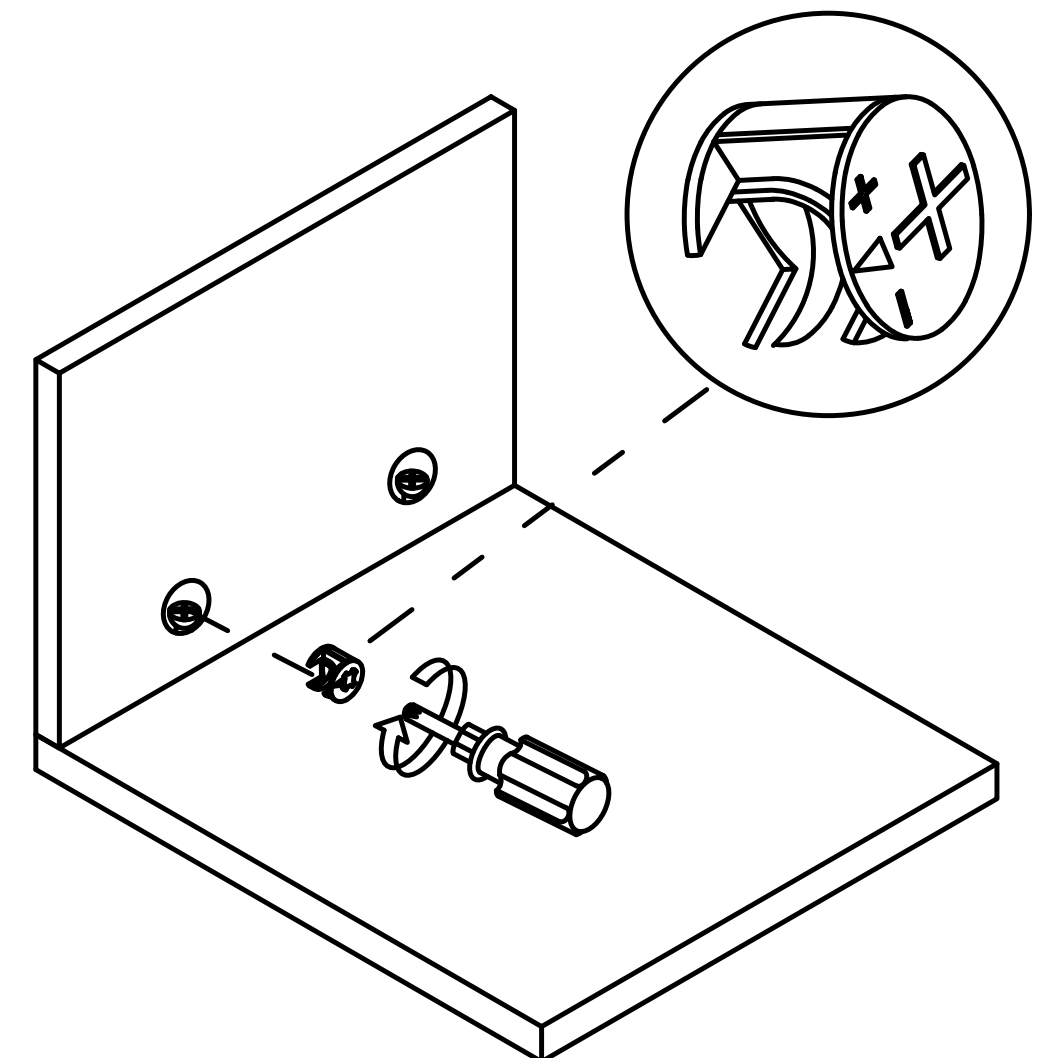
Step 1



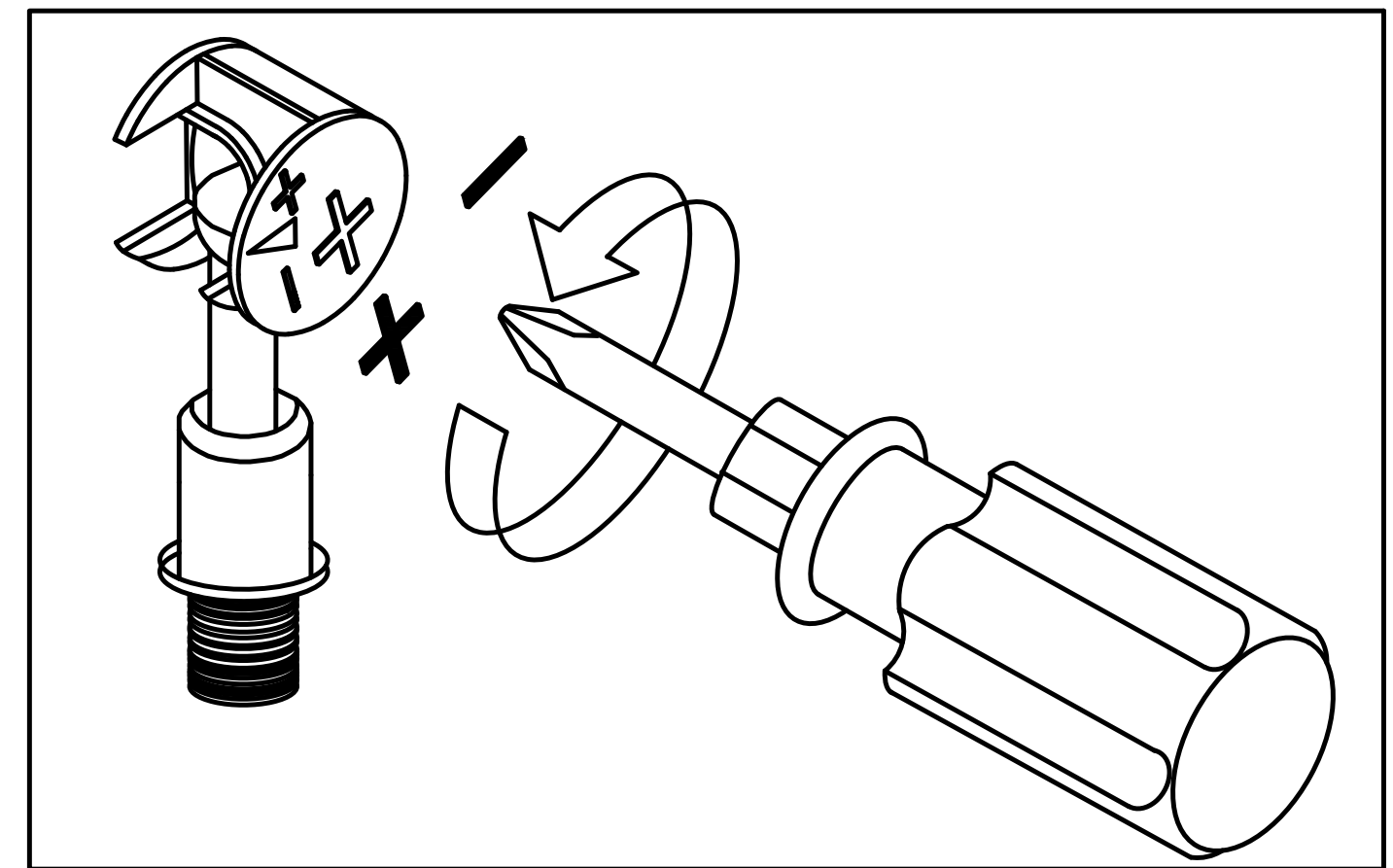
Step 2



Step 3

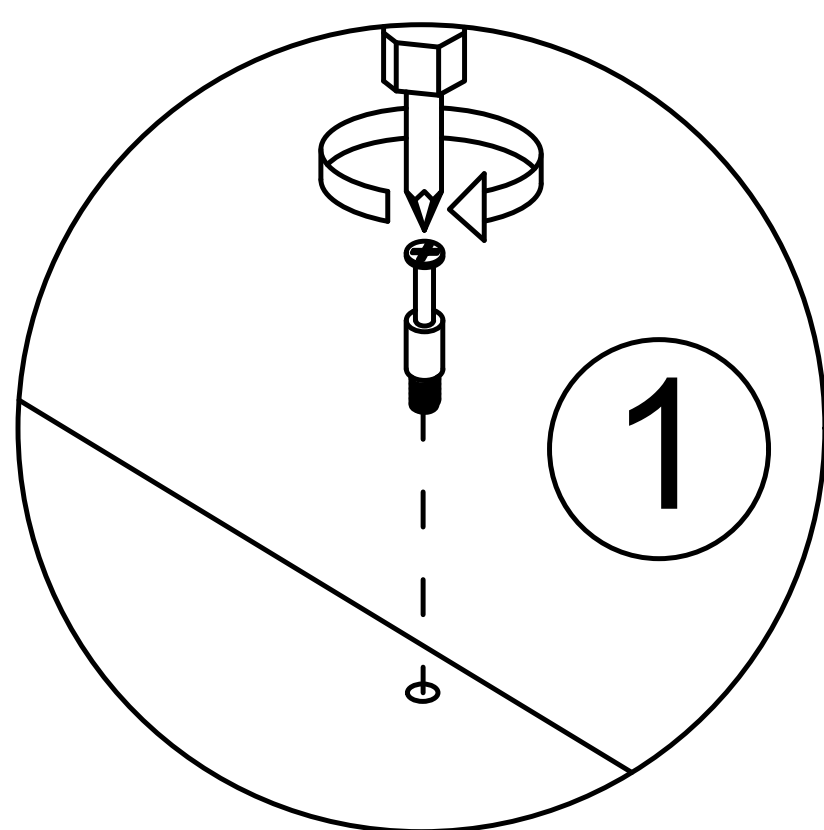
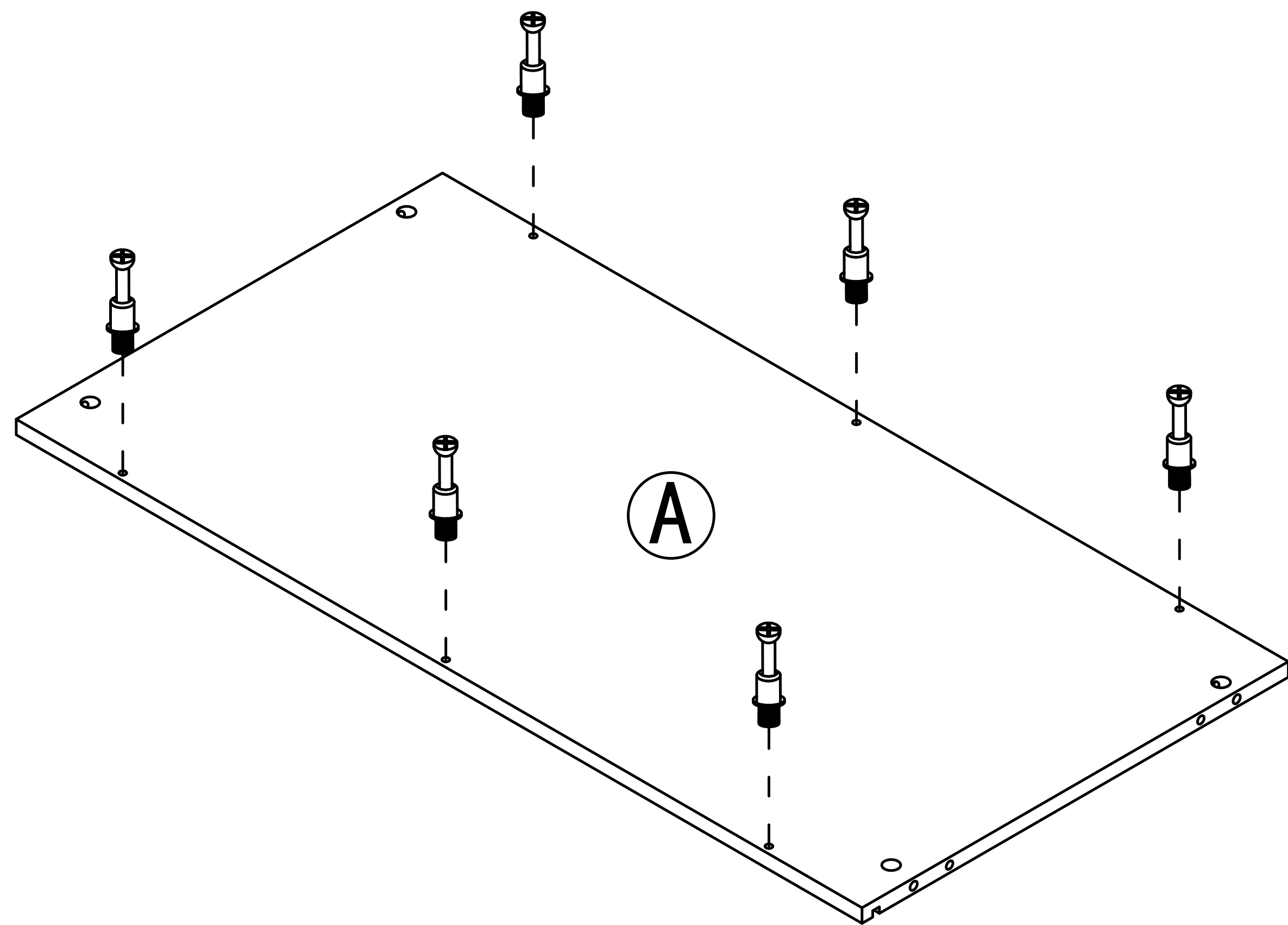
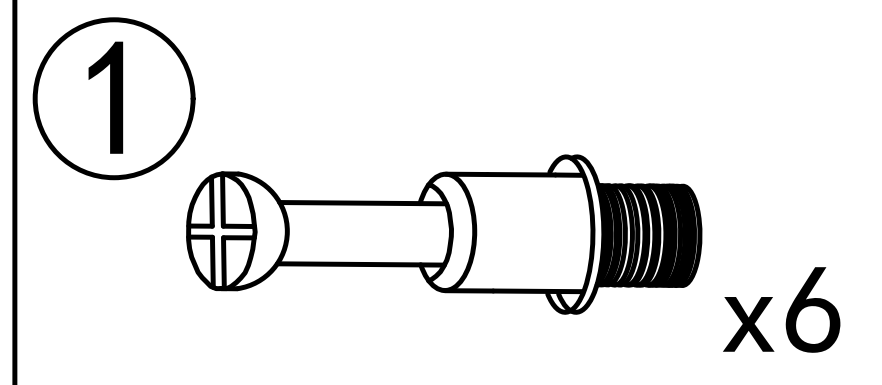


Use a screwdriver to lock in the direction of the "+" sign



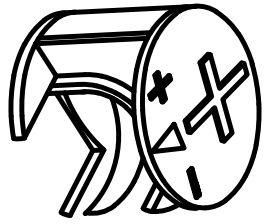
Disassemble along the direction of "-" sign

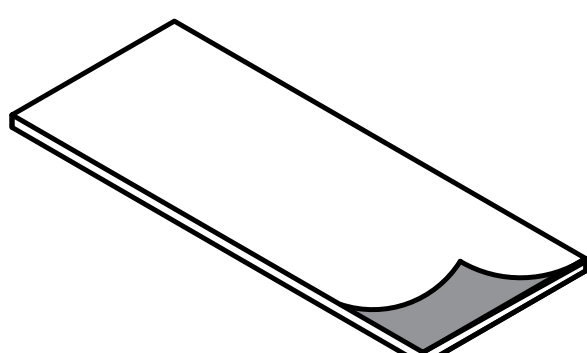
Step 1



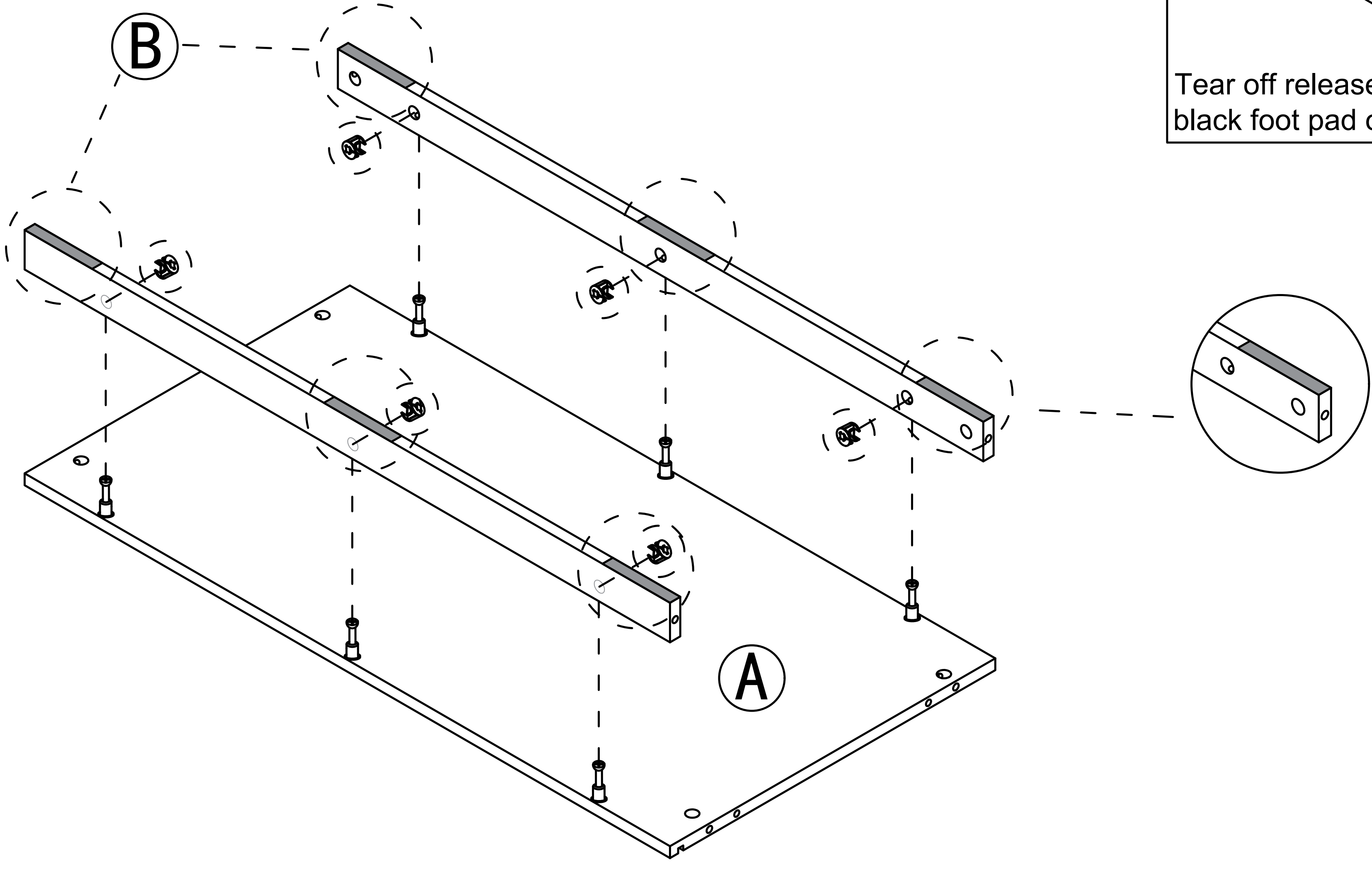
4

Step 2

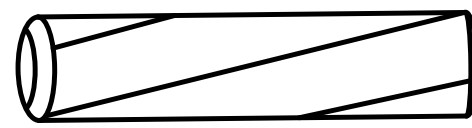
②  x6

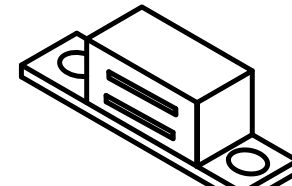

⑥  x6

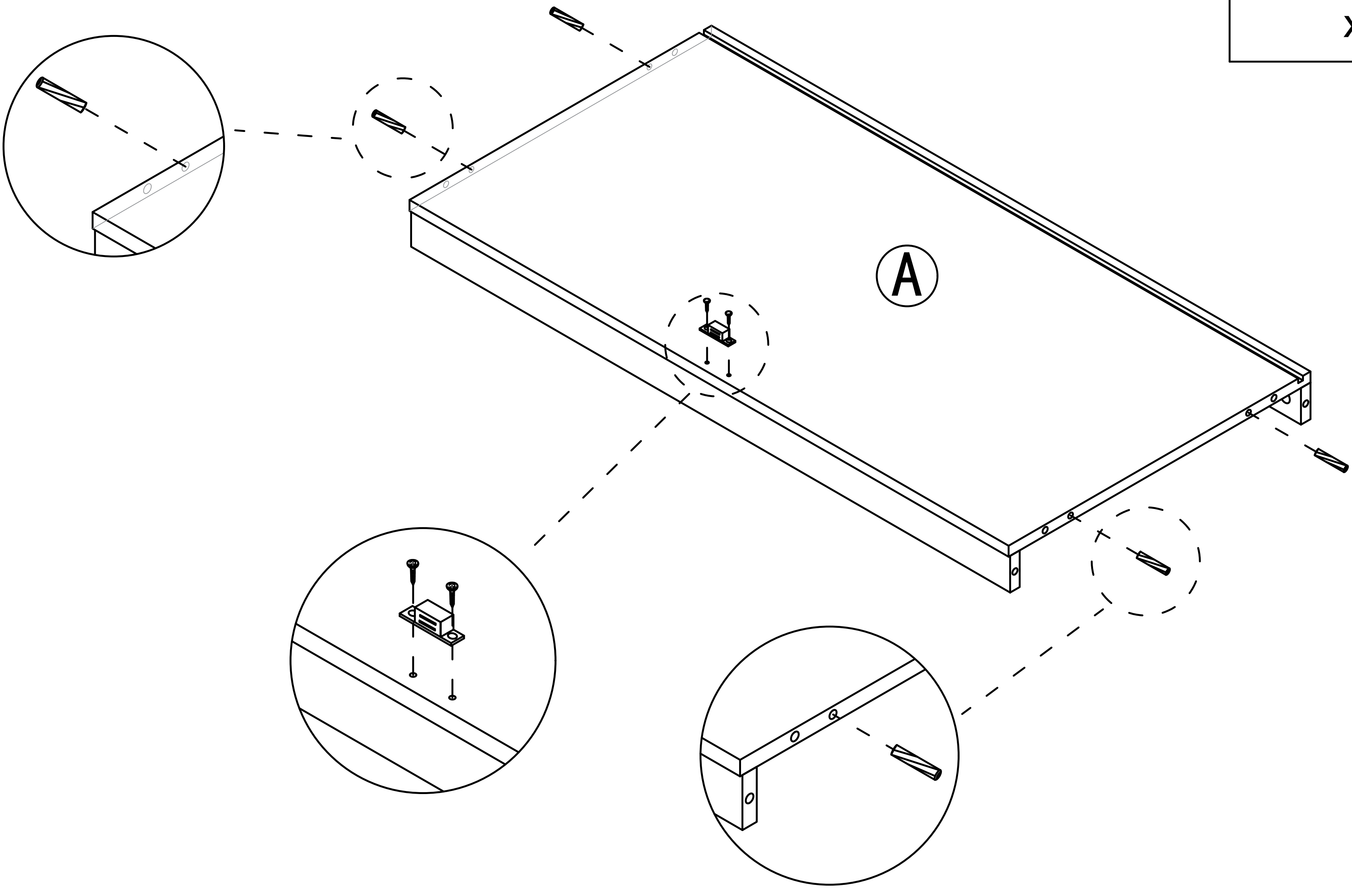
Tear off release paper and stick the black foot pad on the board



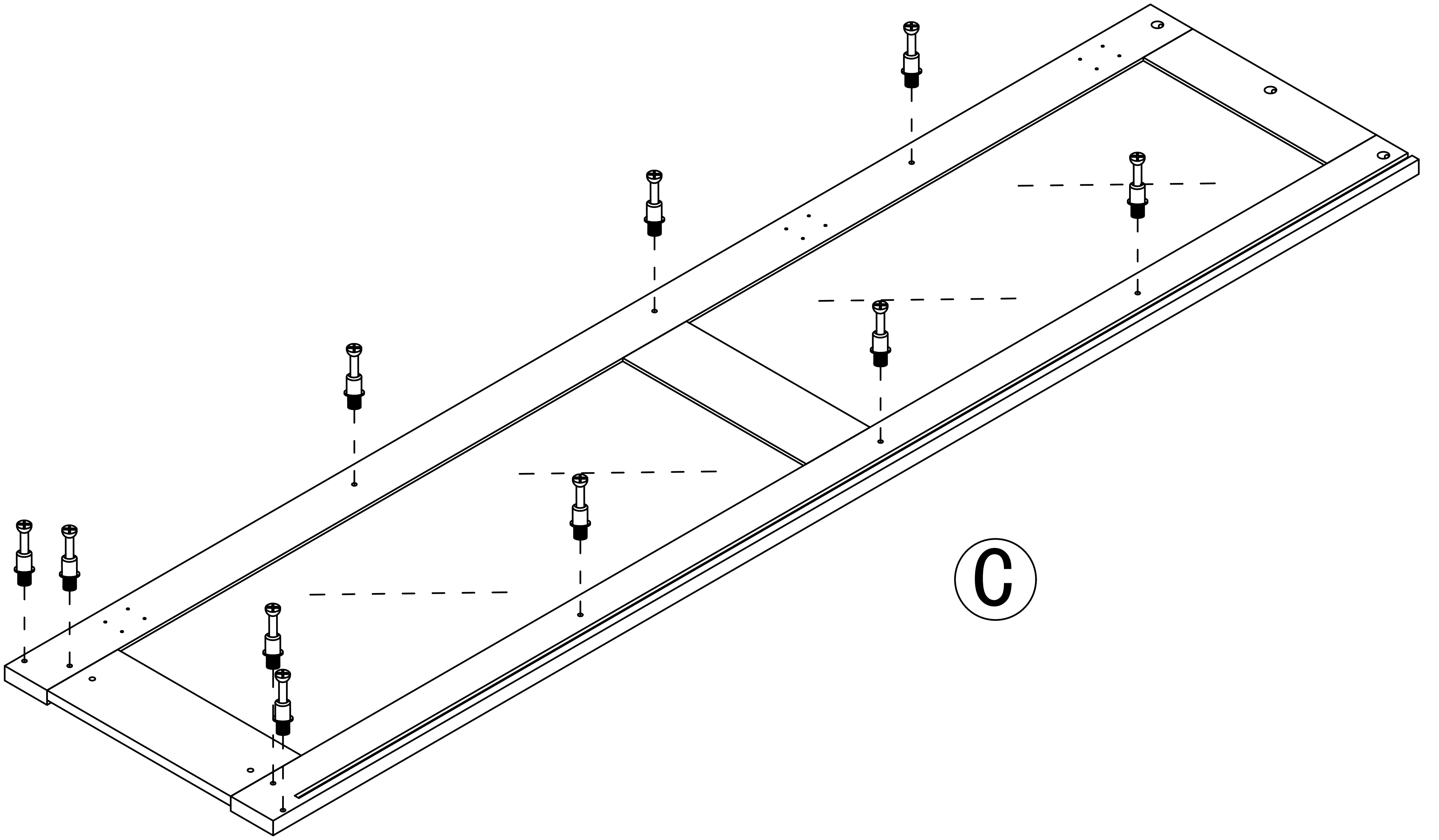
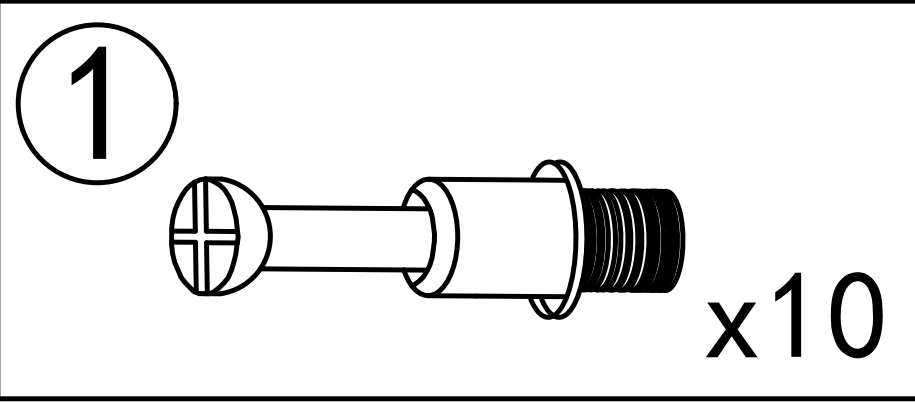
Step 3

③  x4

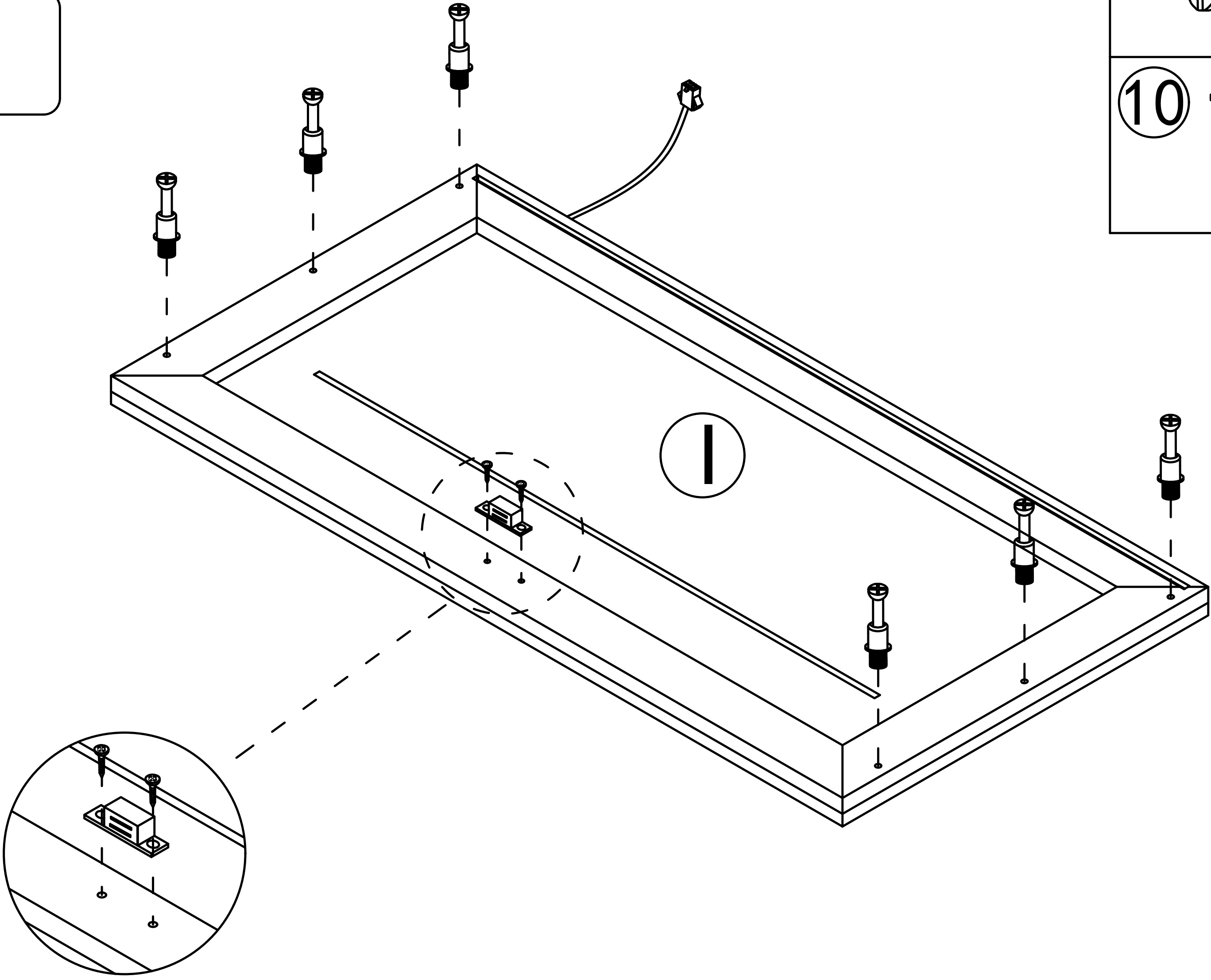
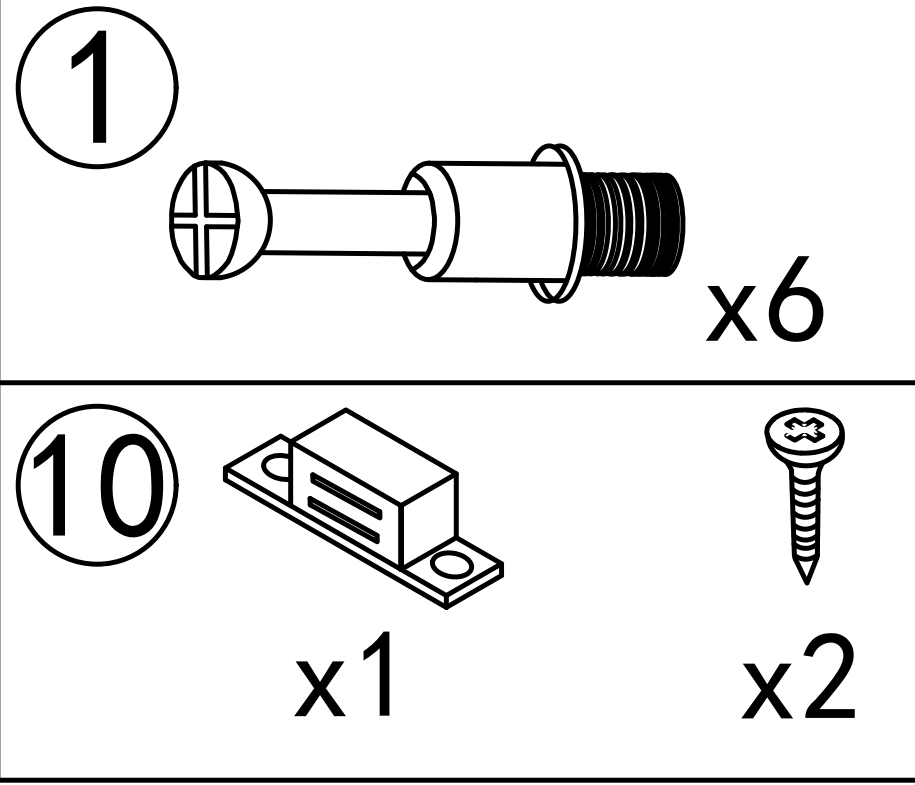
⑩  x1  x2



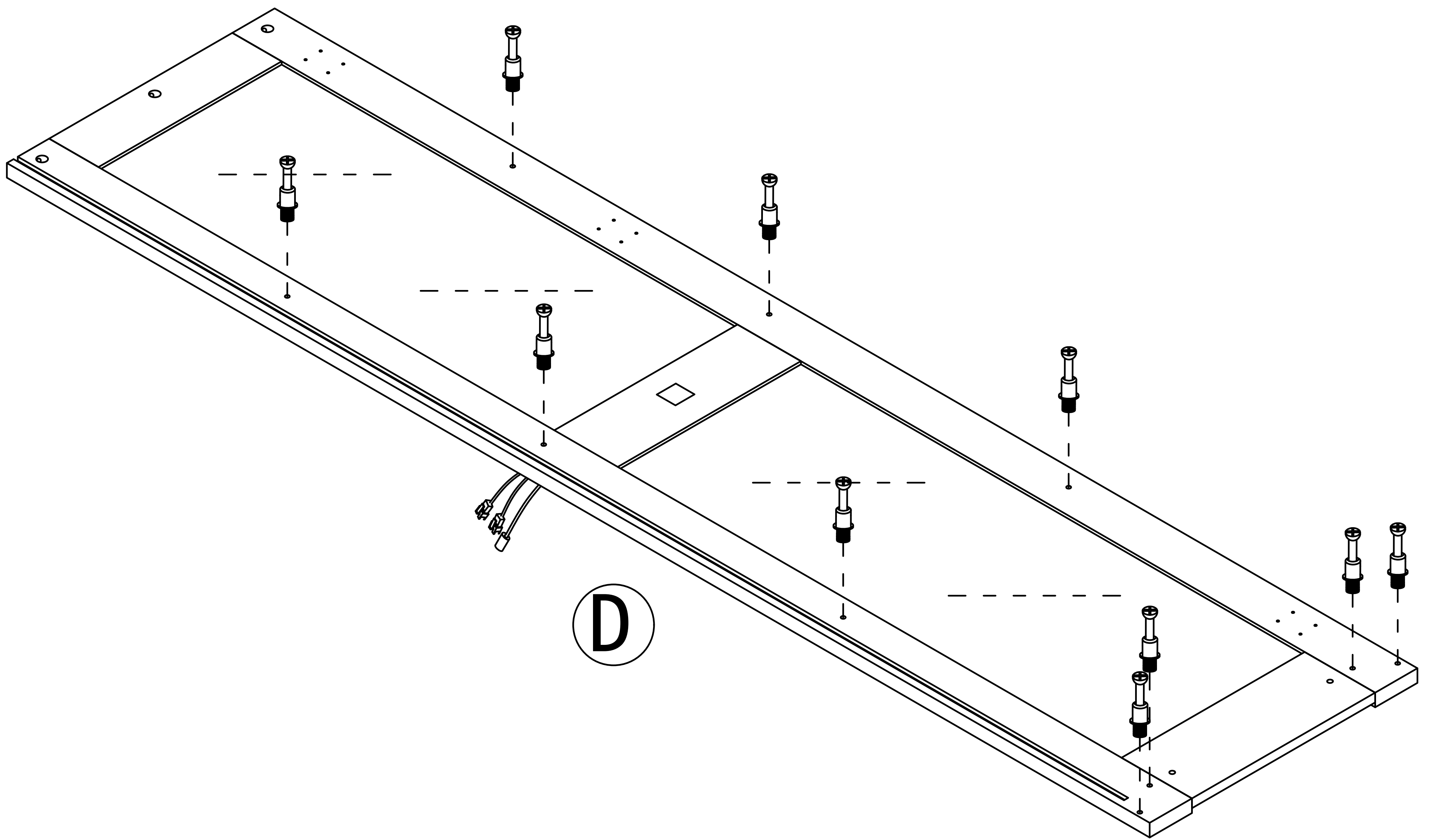
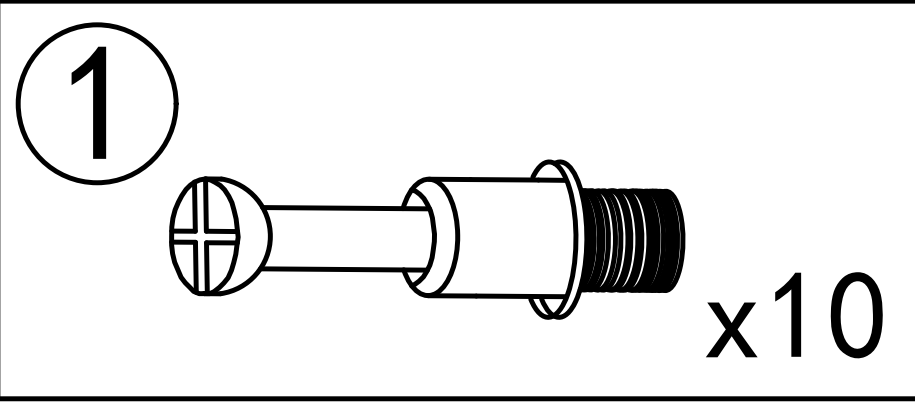
Step 4



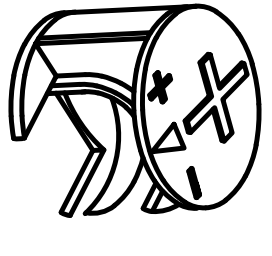
Step 5

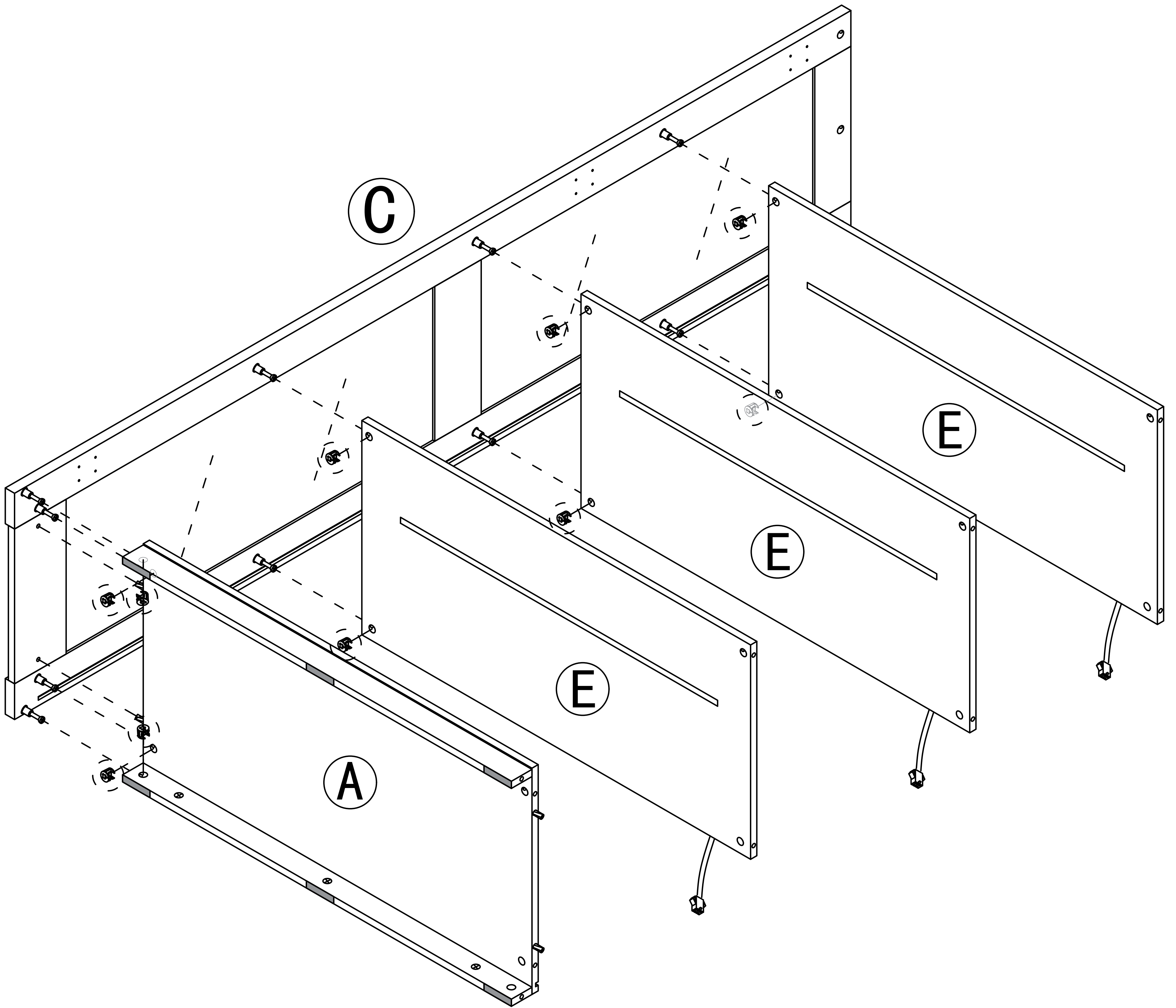


Step 6



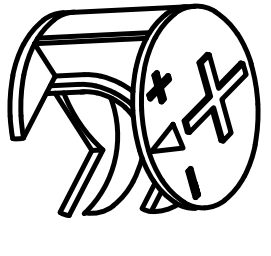
Step 7

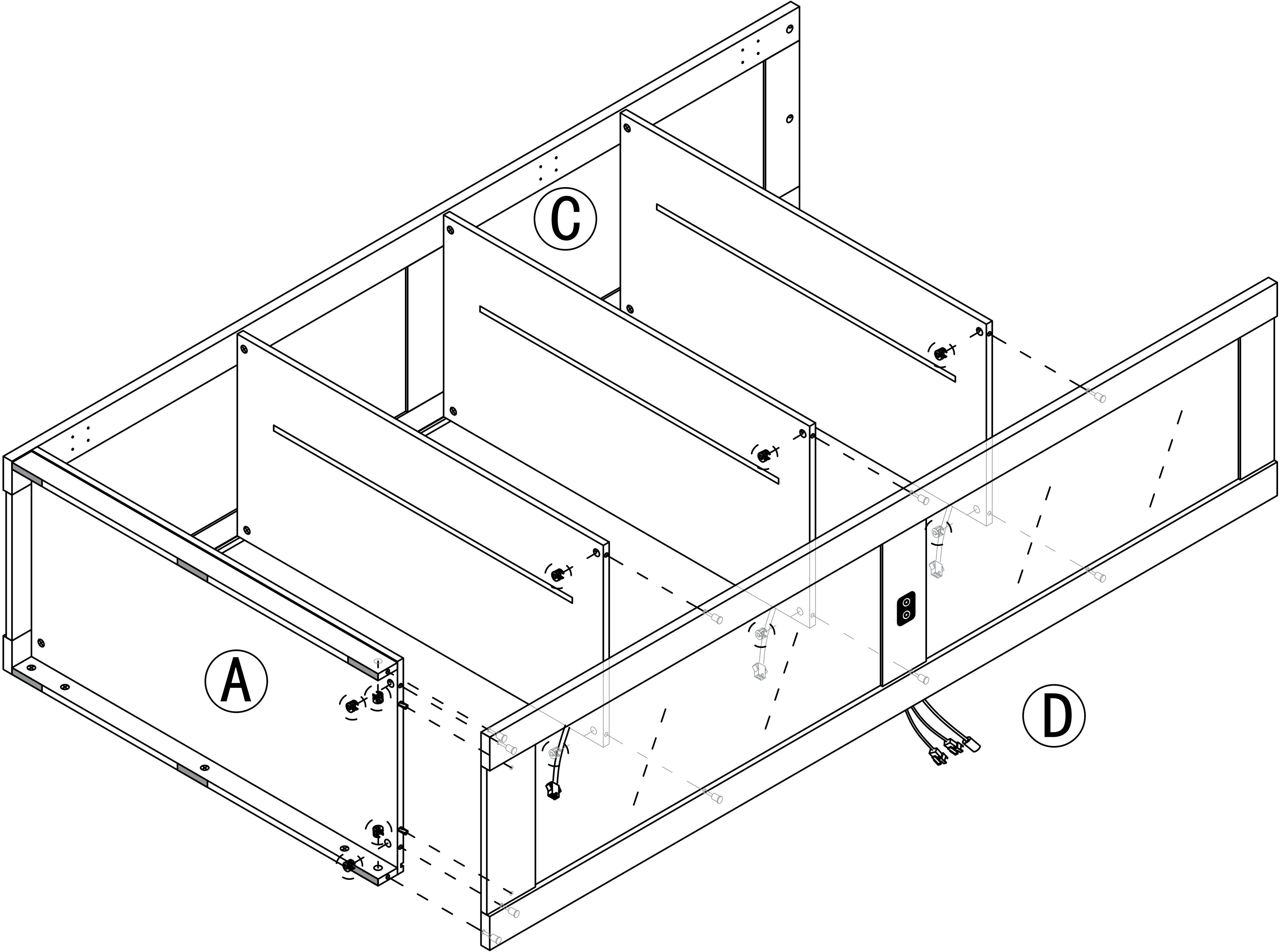
②  x10



Attention: Be careful not to hold down the E light wire

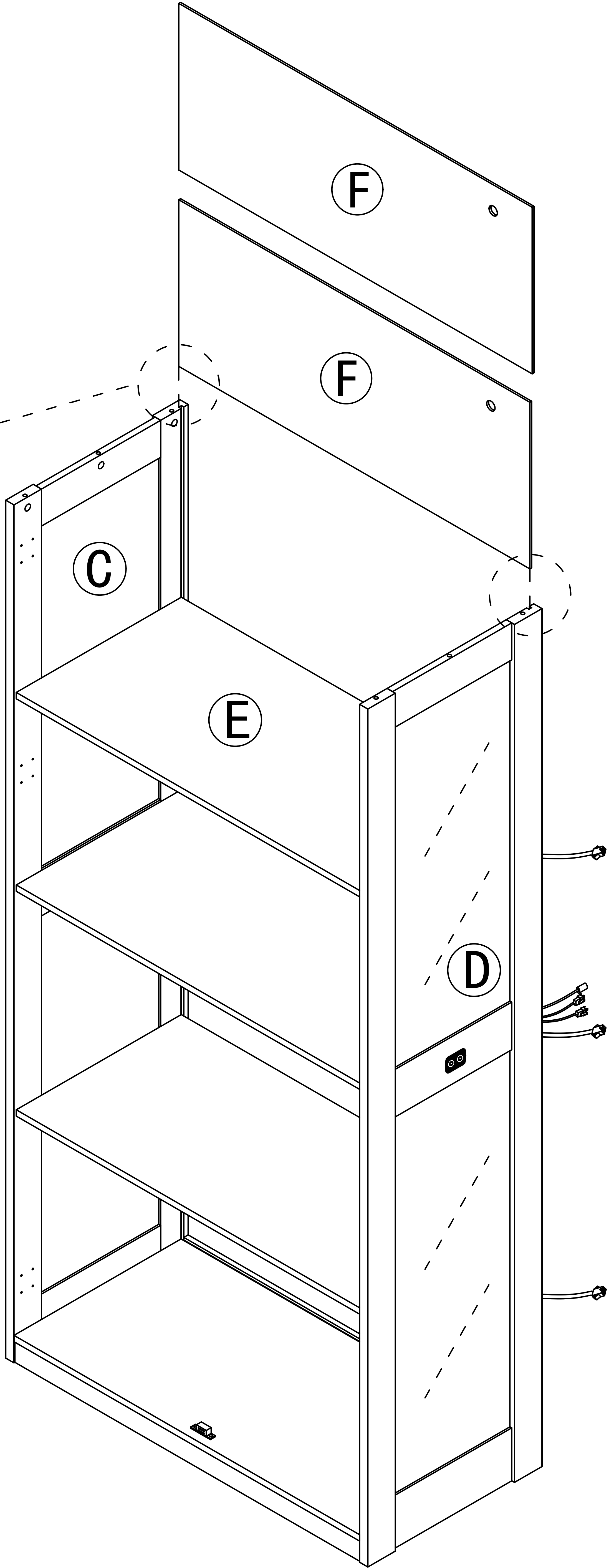
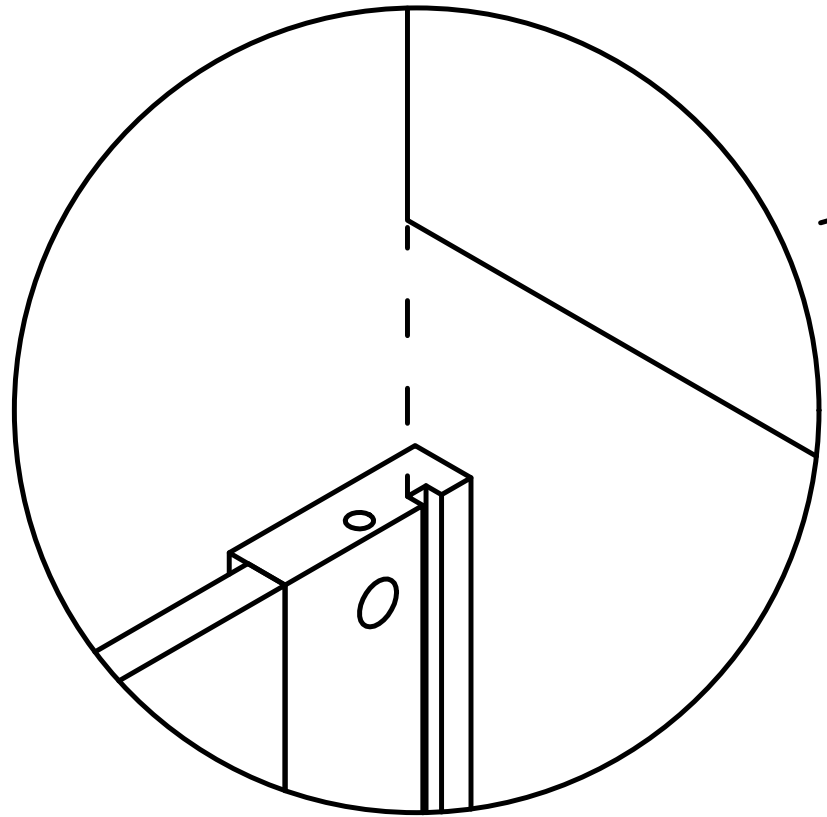
Step 8

②  x10

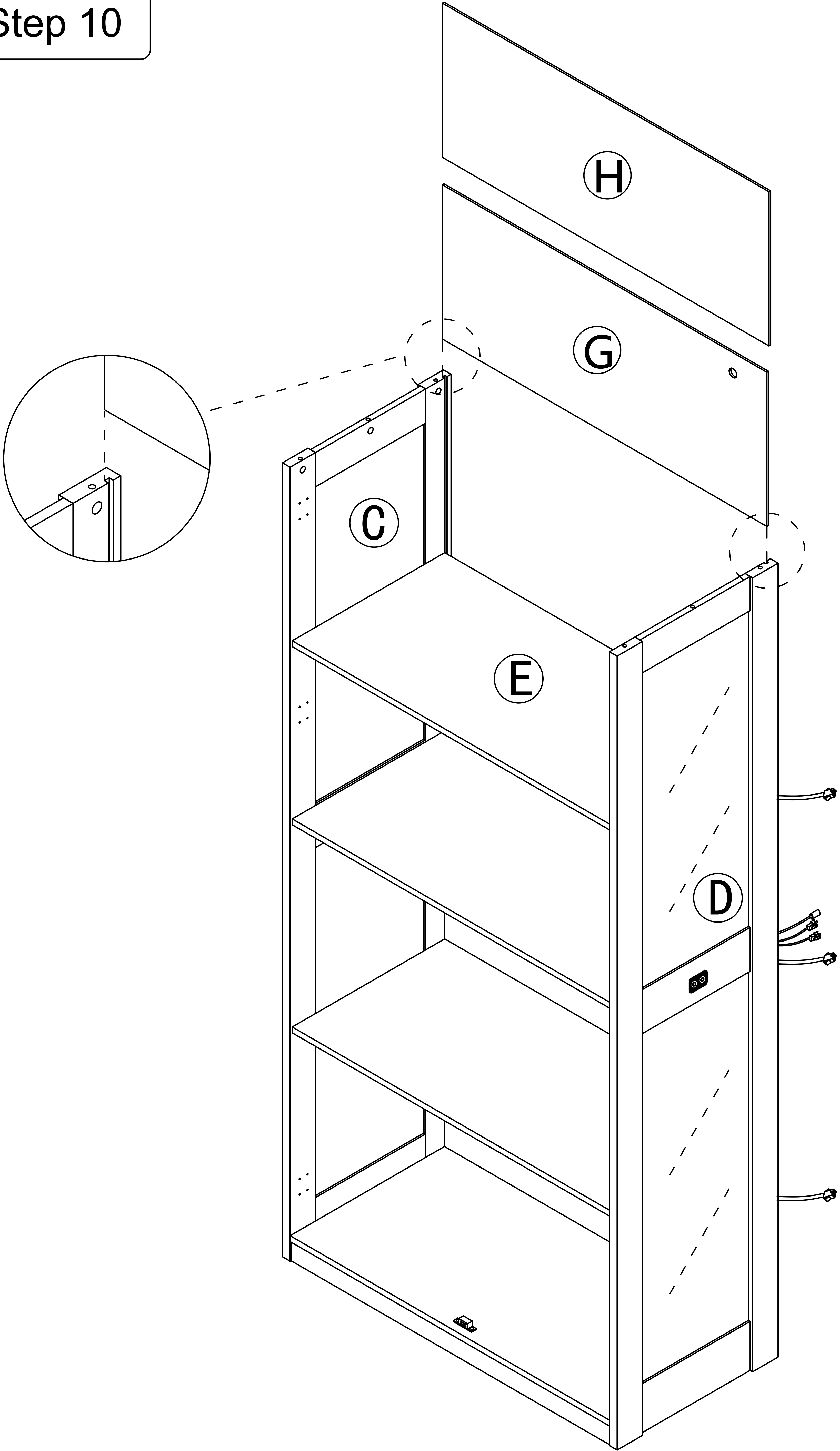


Attention: Be careful not to hold down the D and E light wire

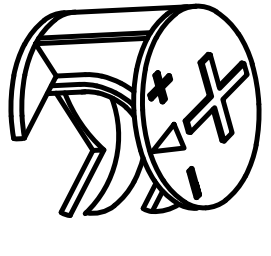
Step 9

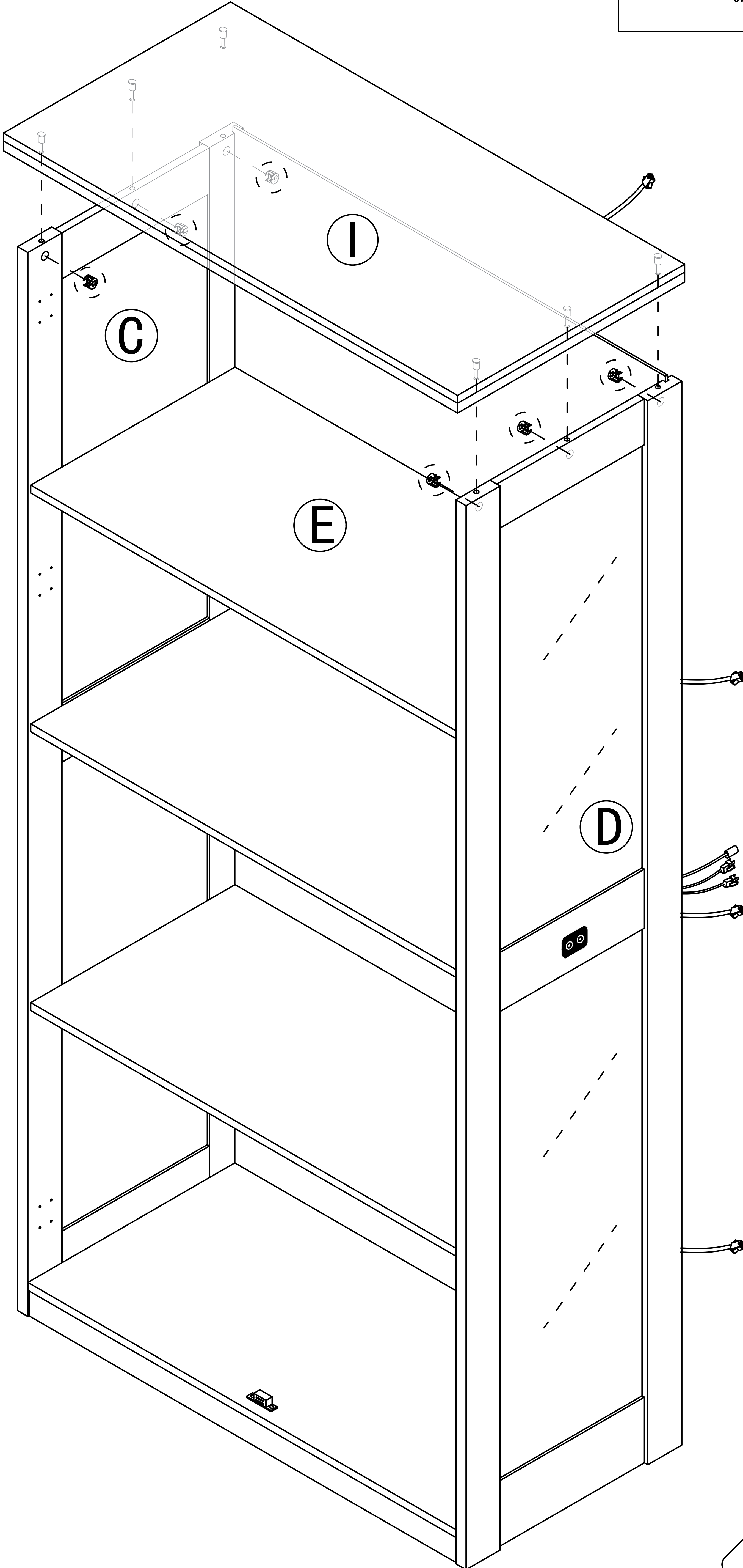


Step 10

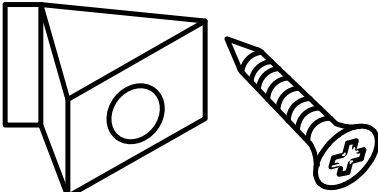


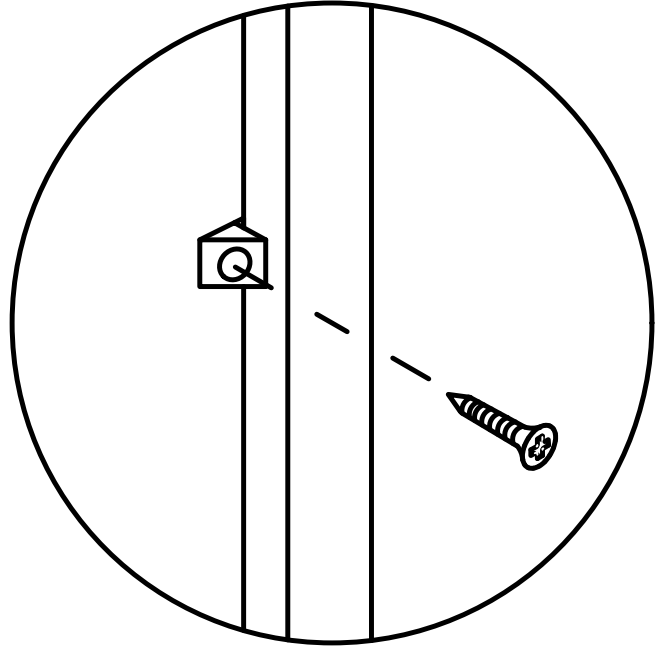
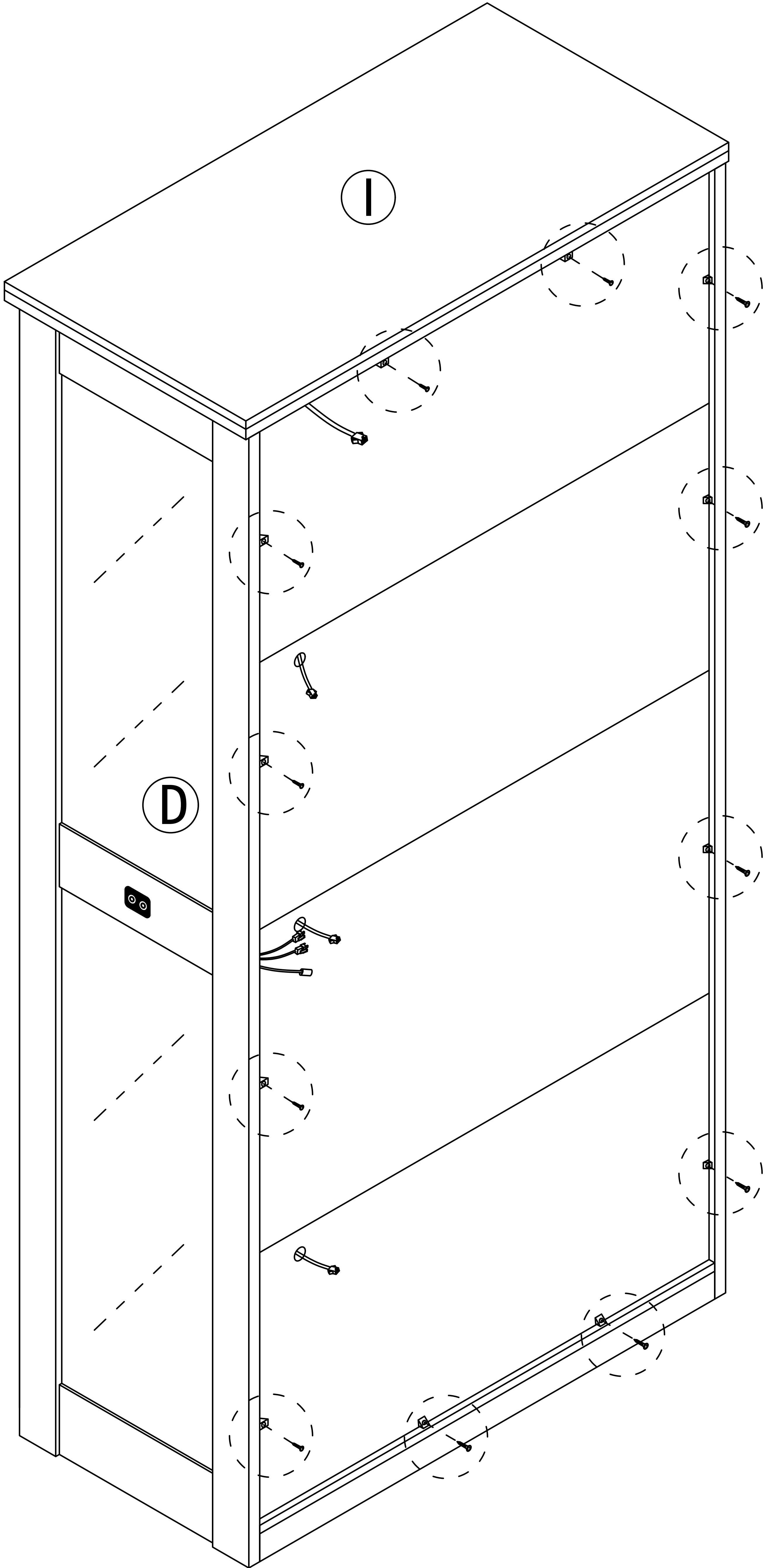
Step 11

②  x6

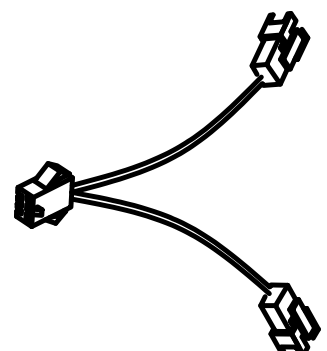


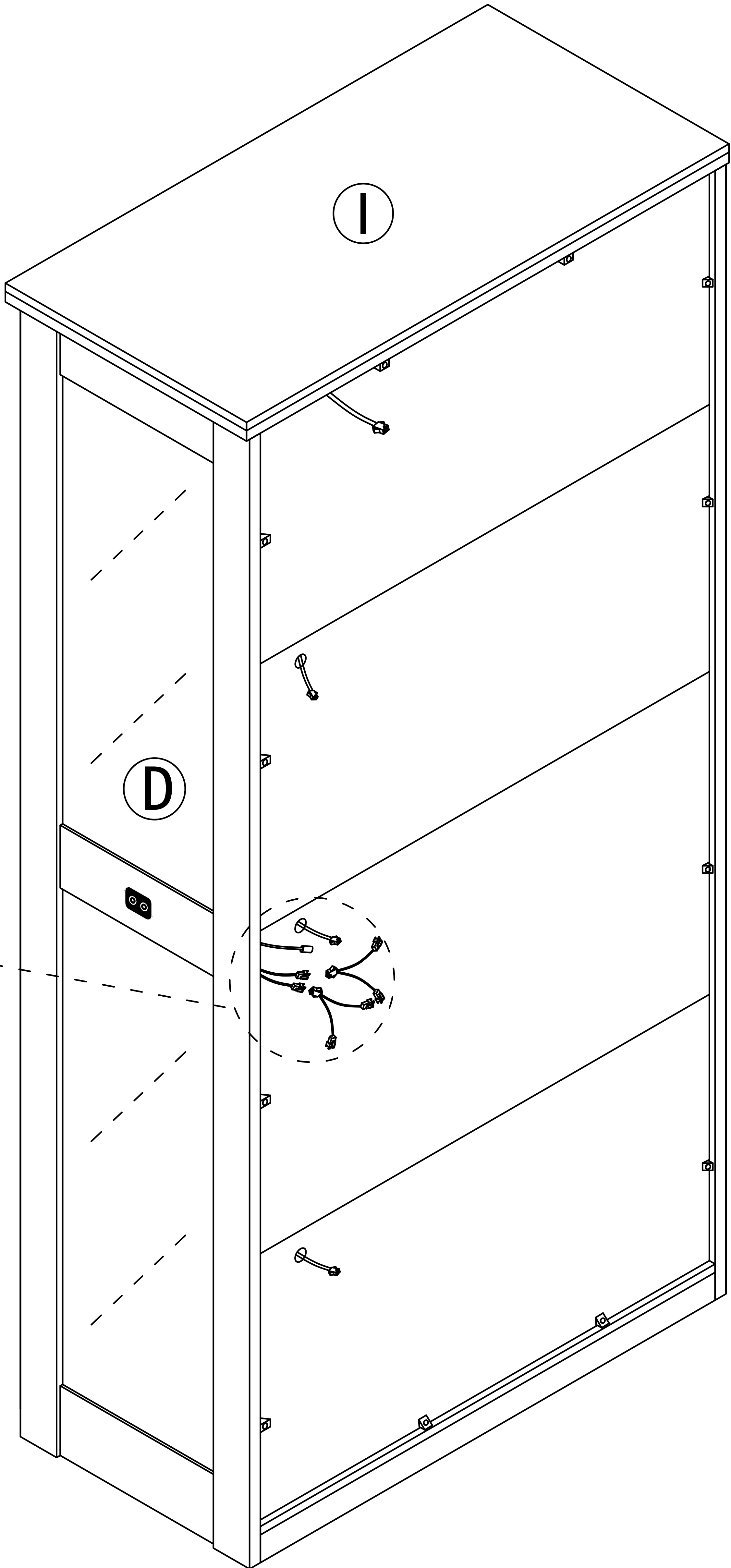
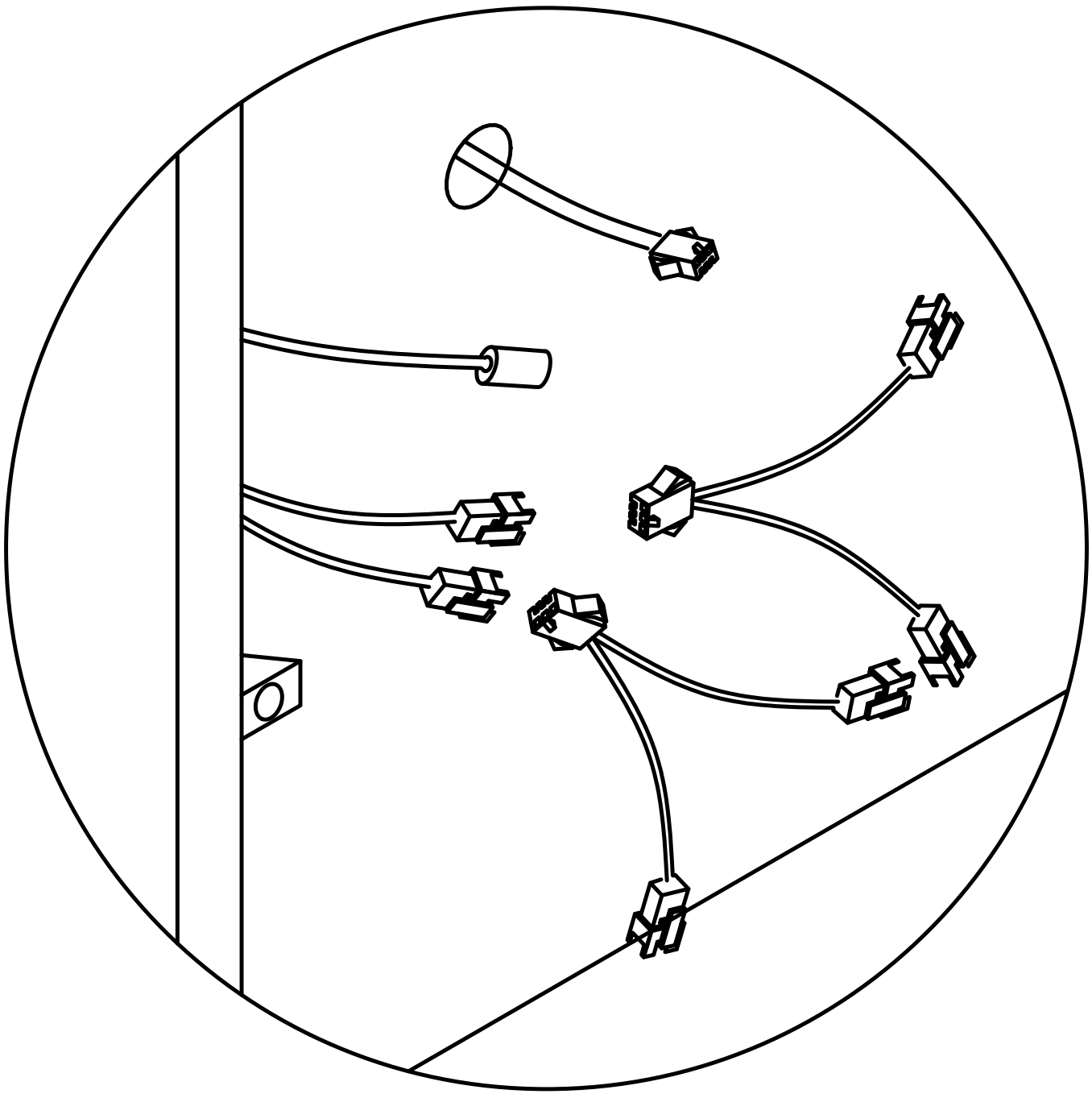
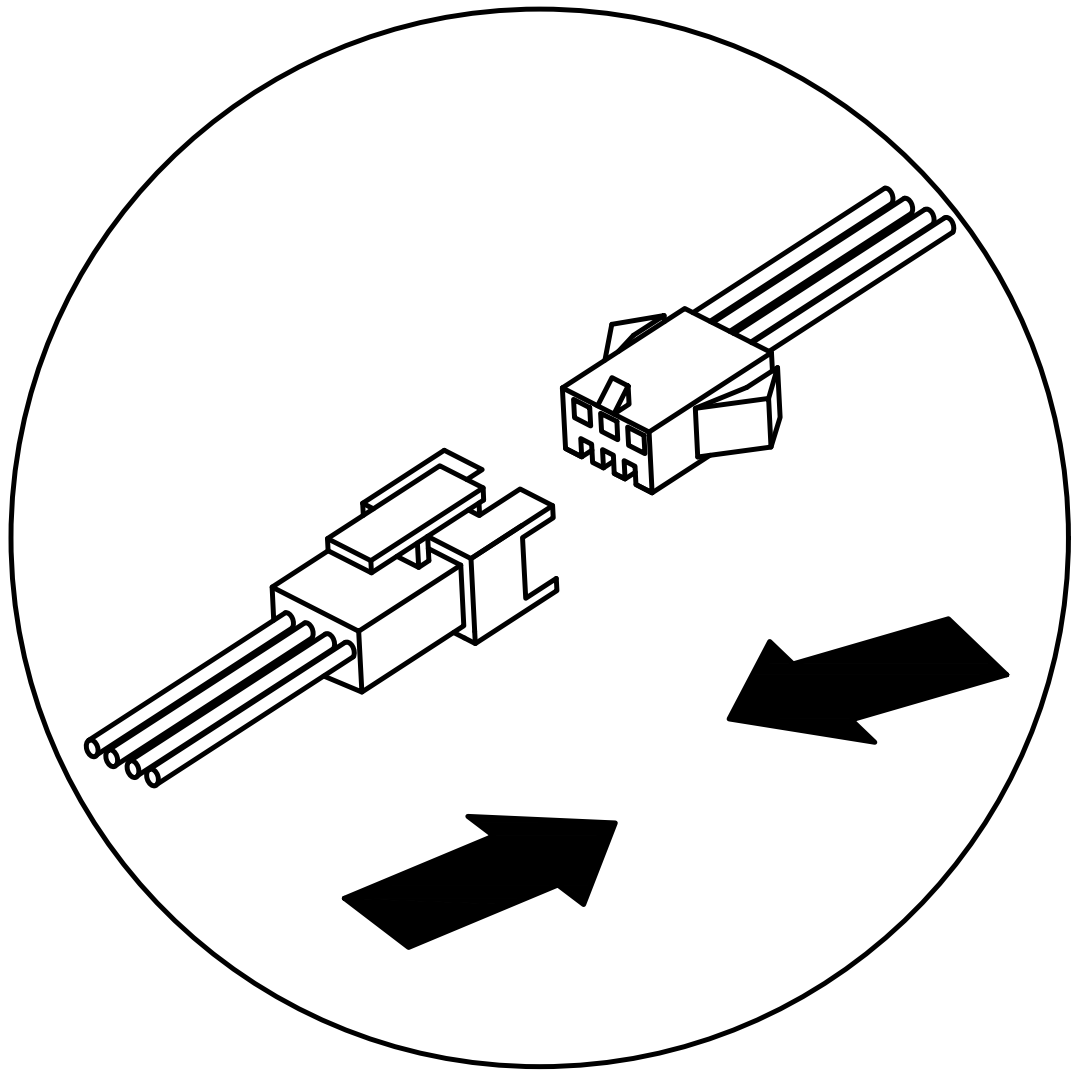
Step 12

7  x12

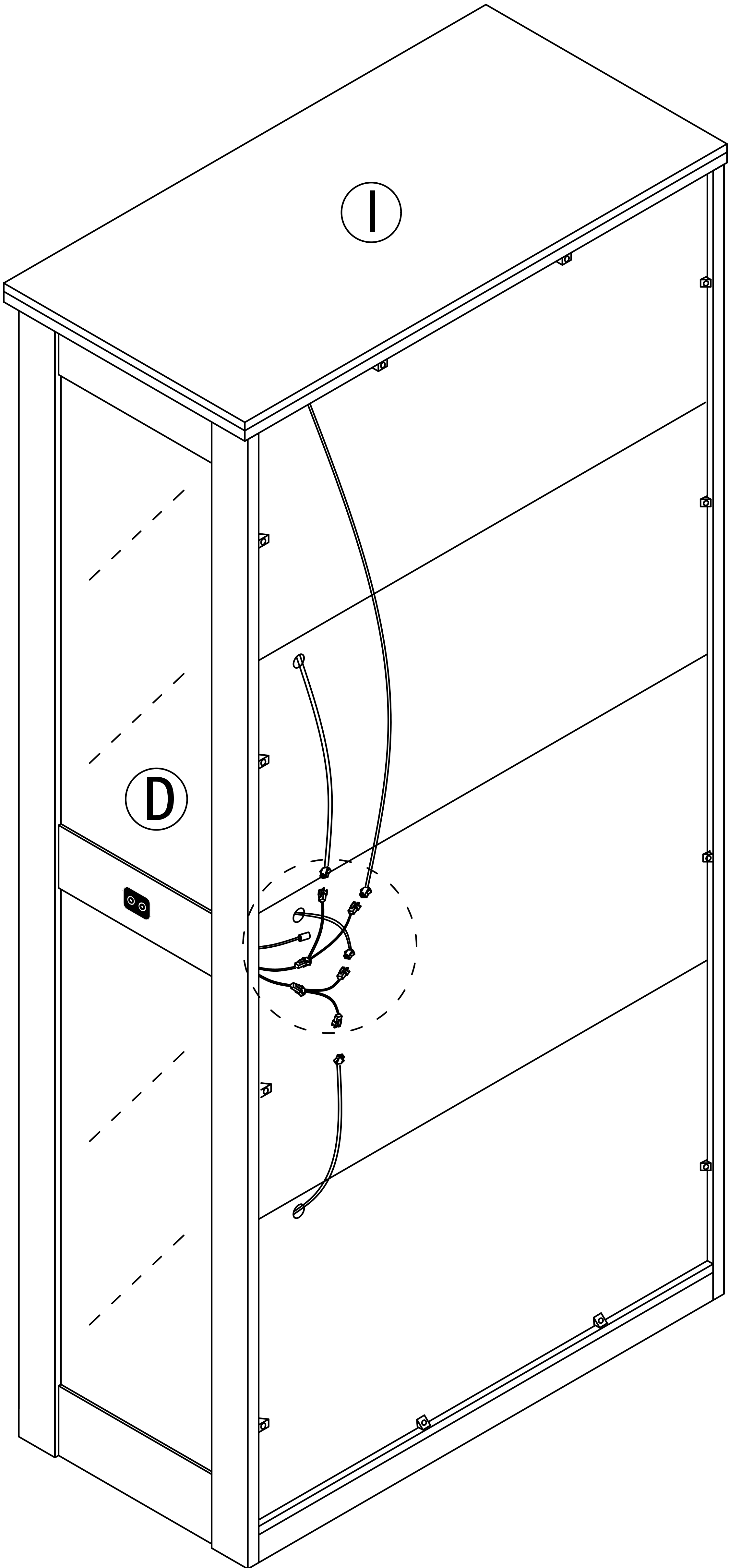
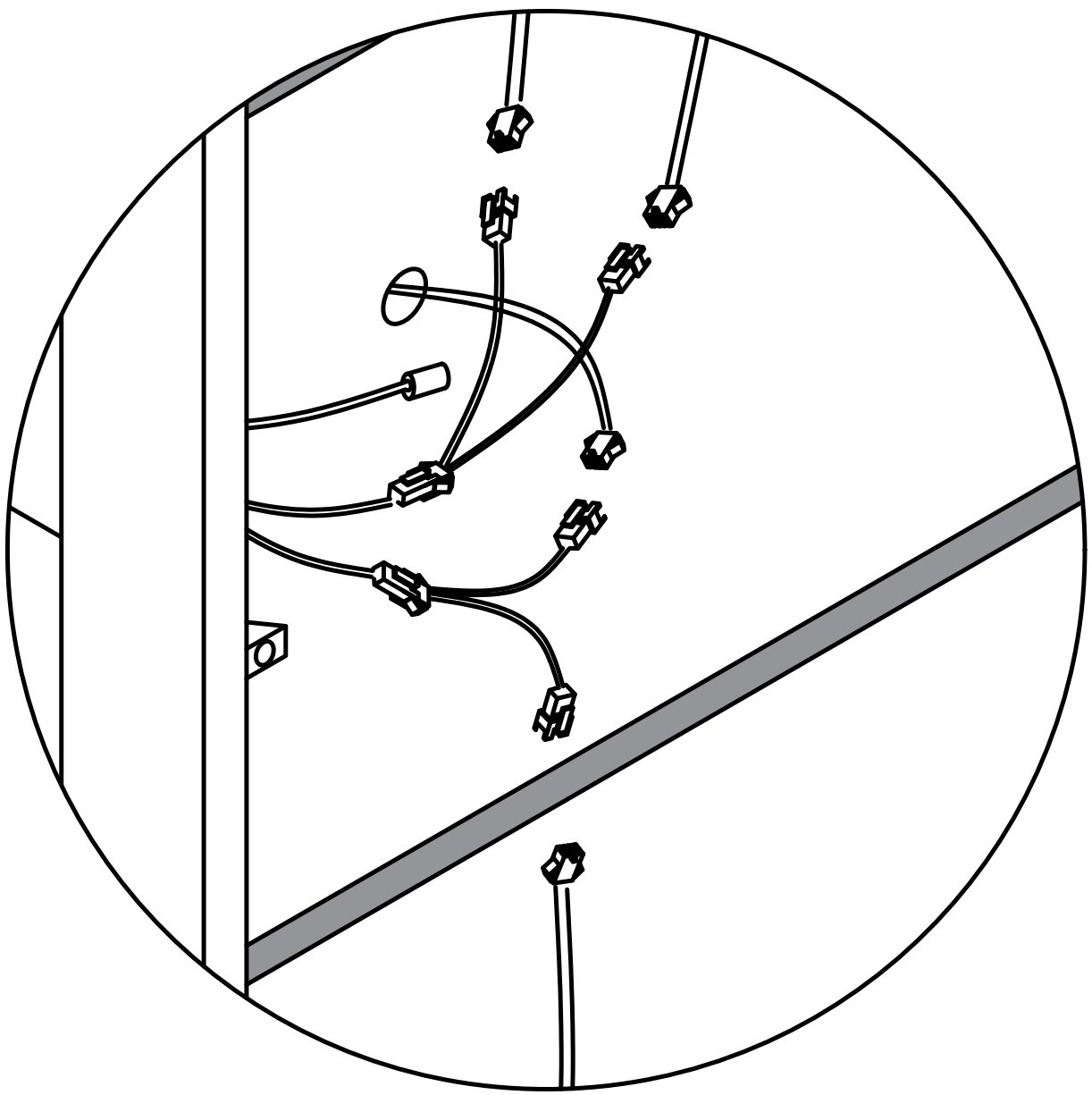
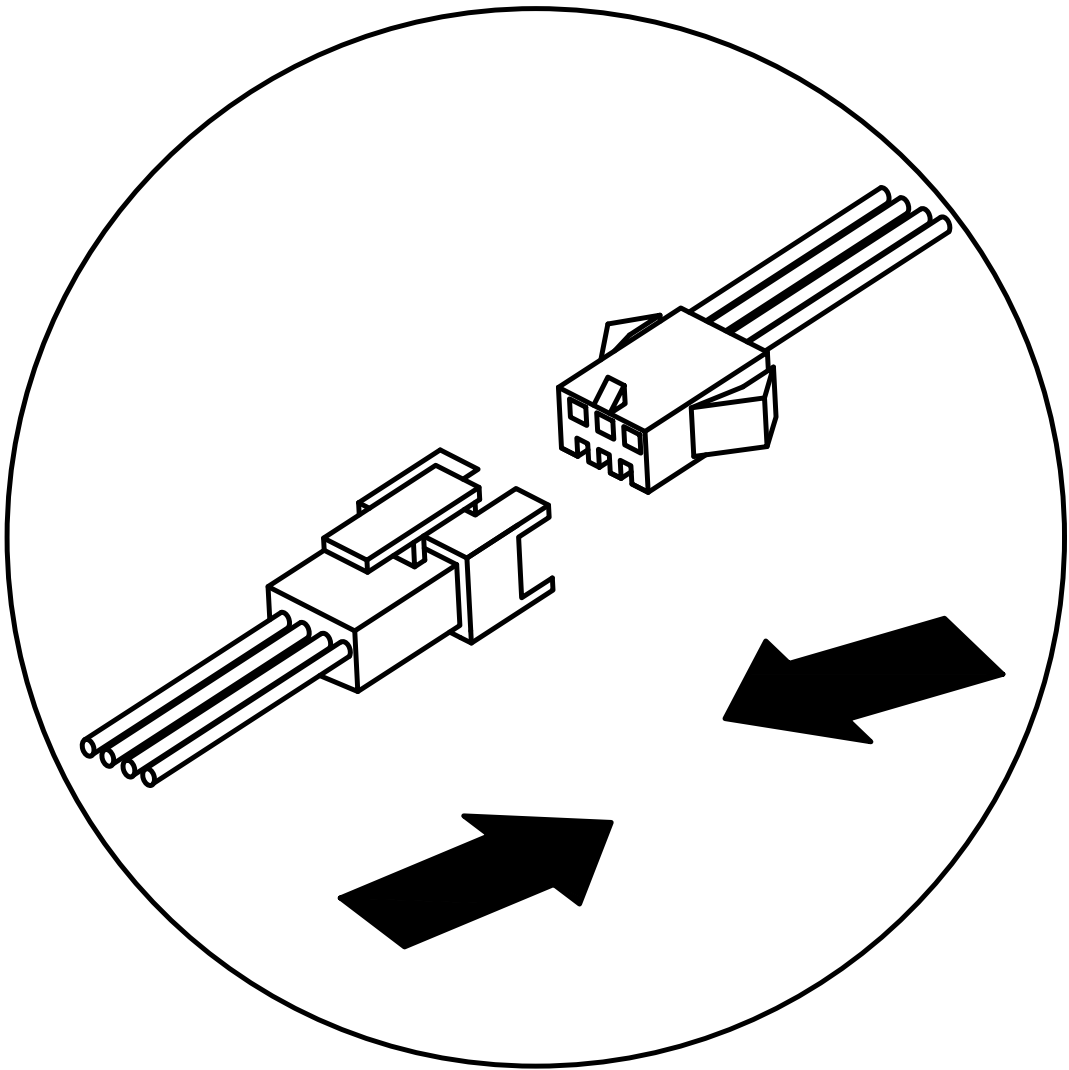


Step 13

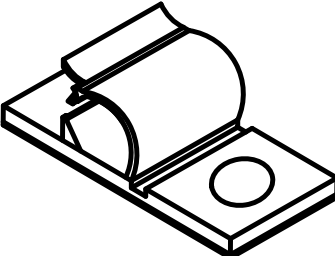
5  x2

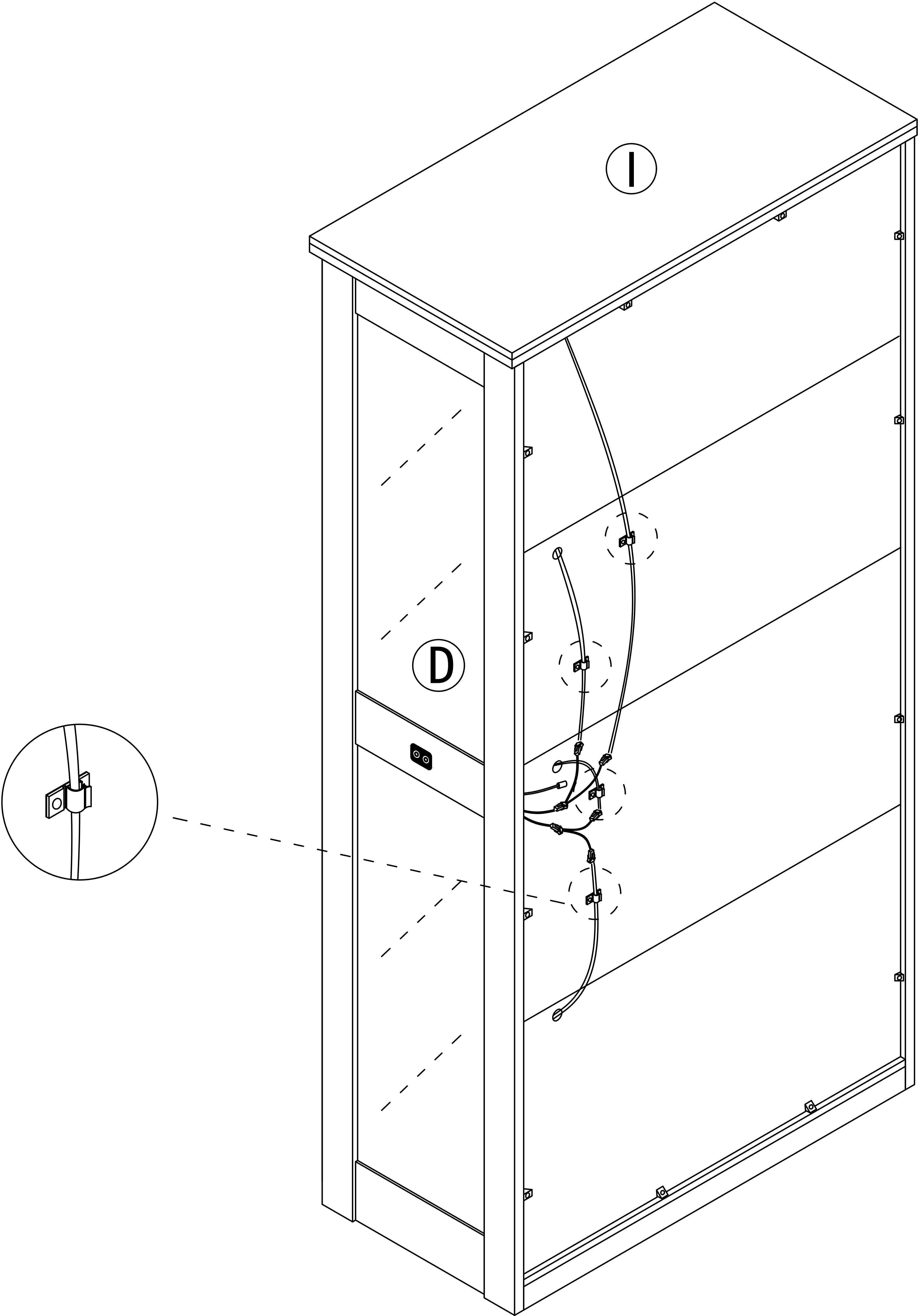


Step 14



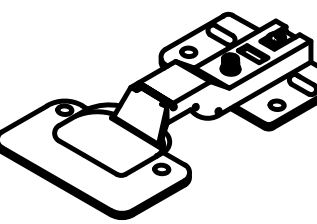
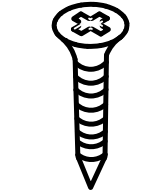
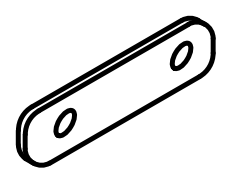
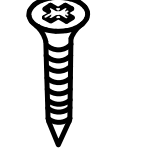


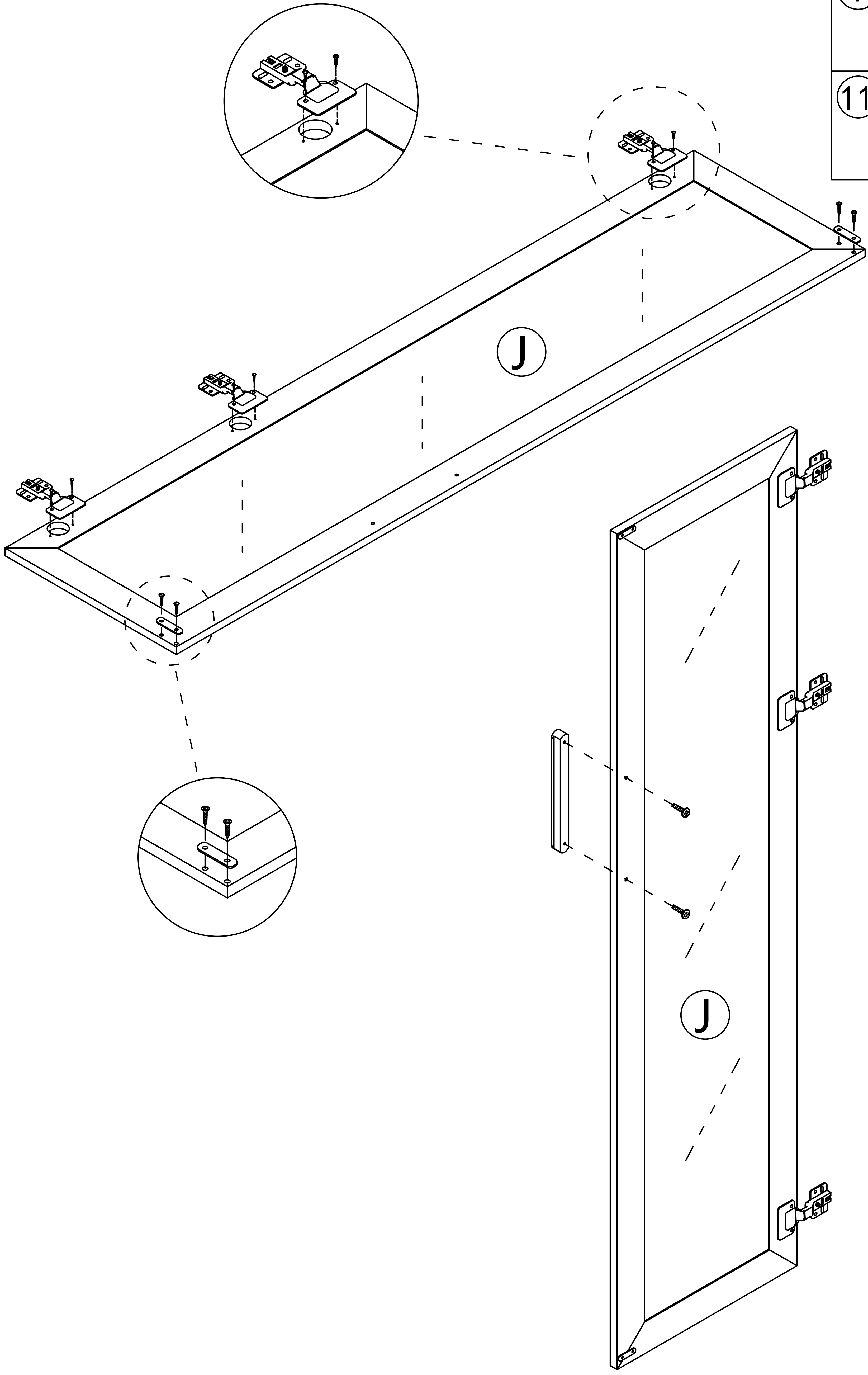
Step 15

8  x4

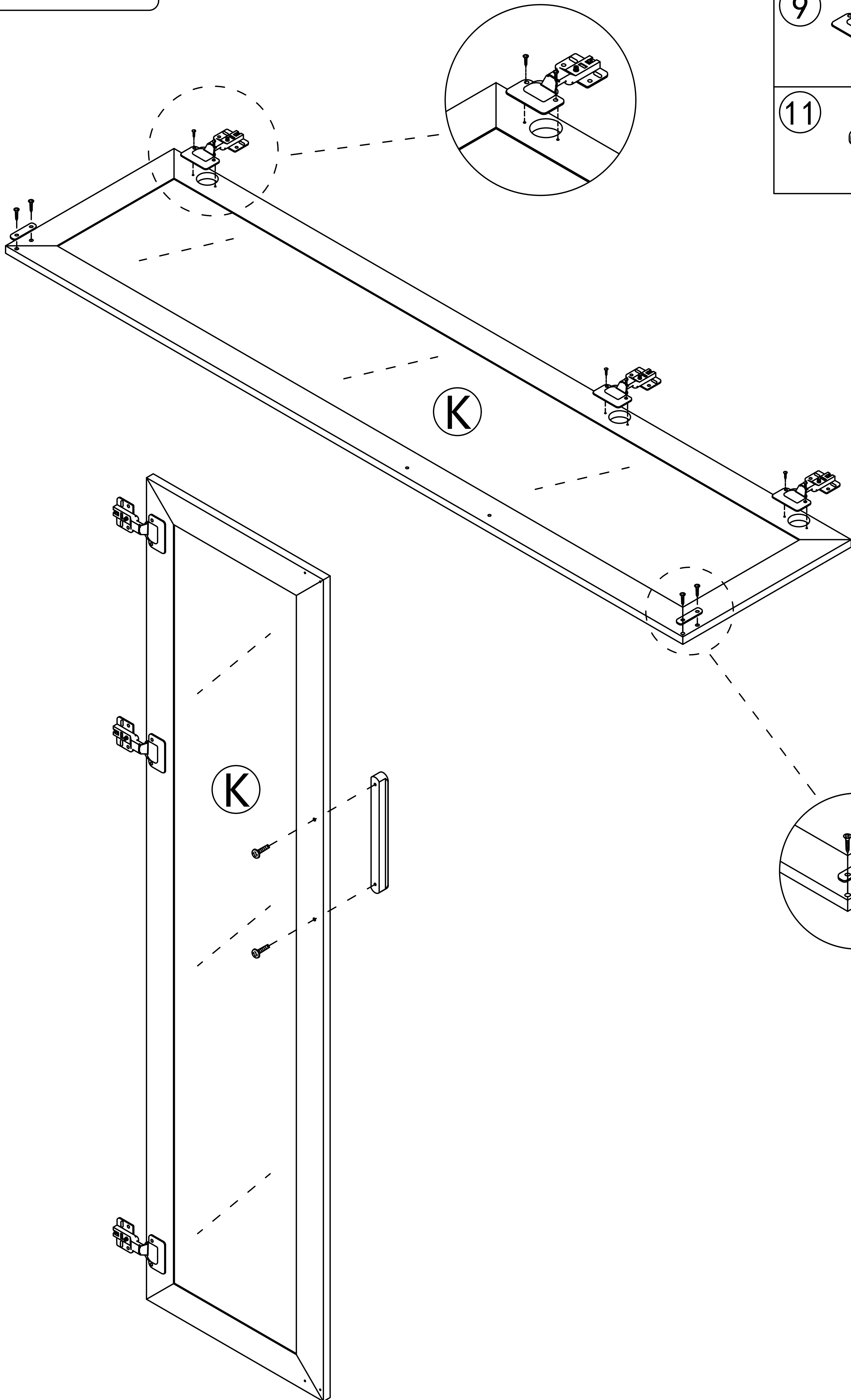


Step 16

4		
	x1	x2
9		
	x3	x6
11		
	x2	x4

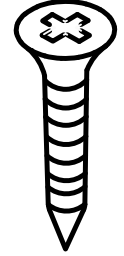


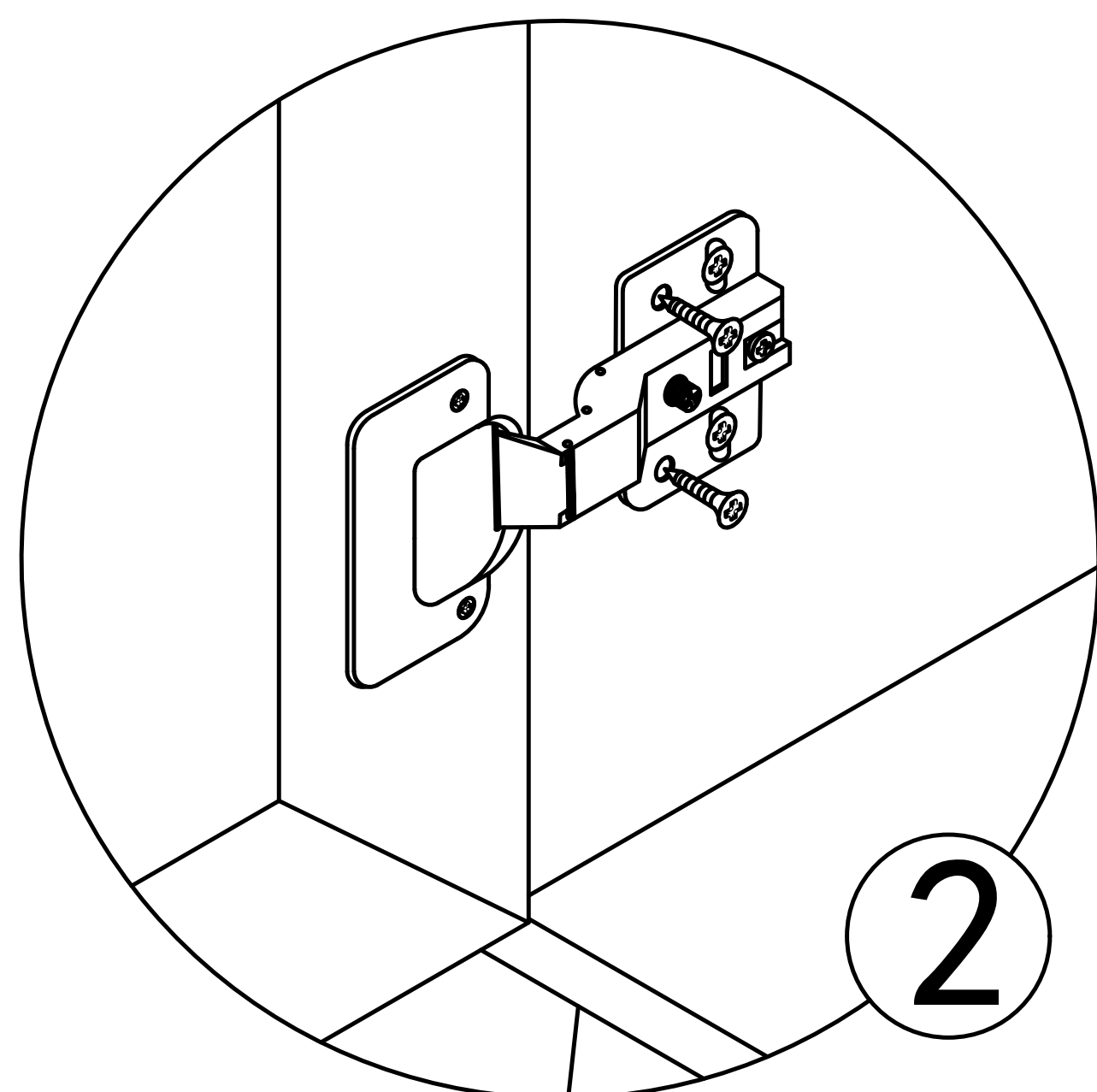
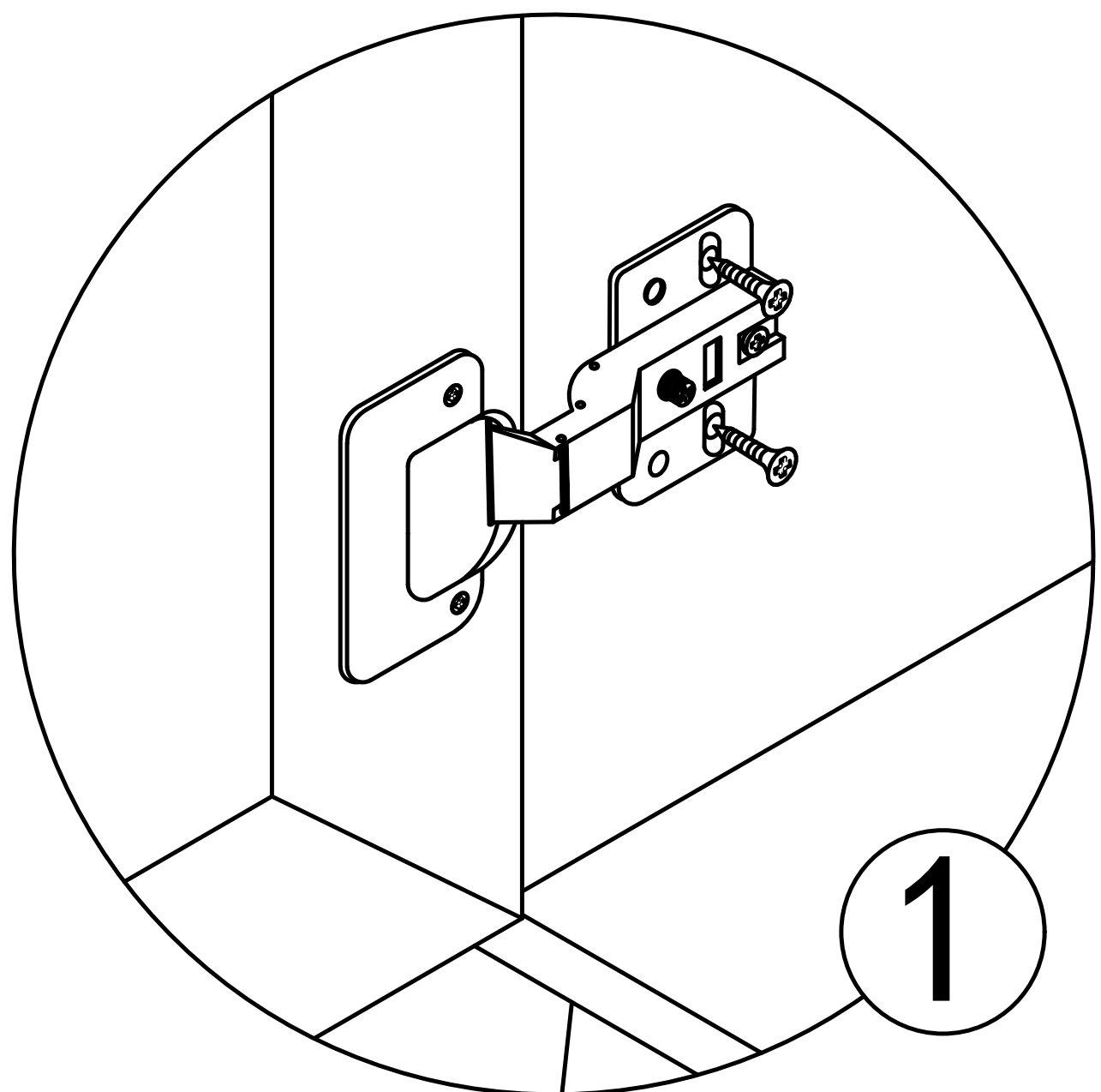
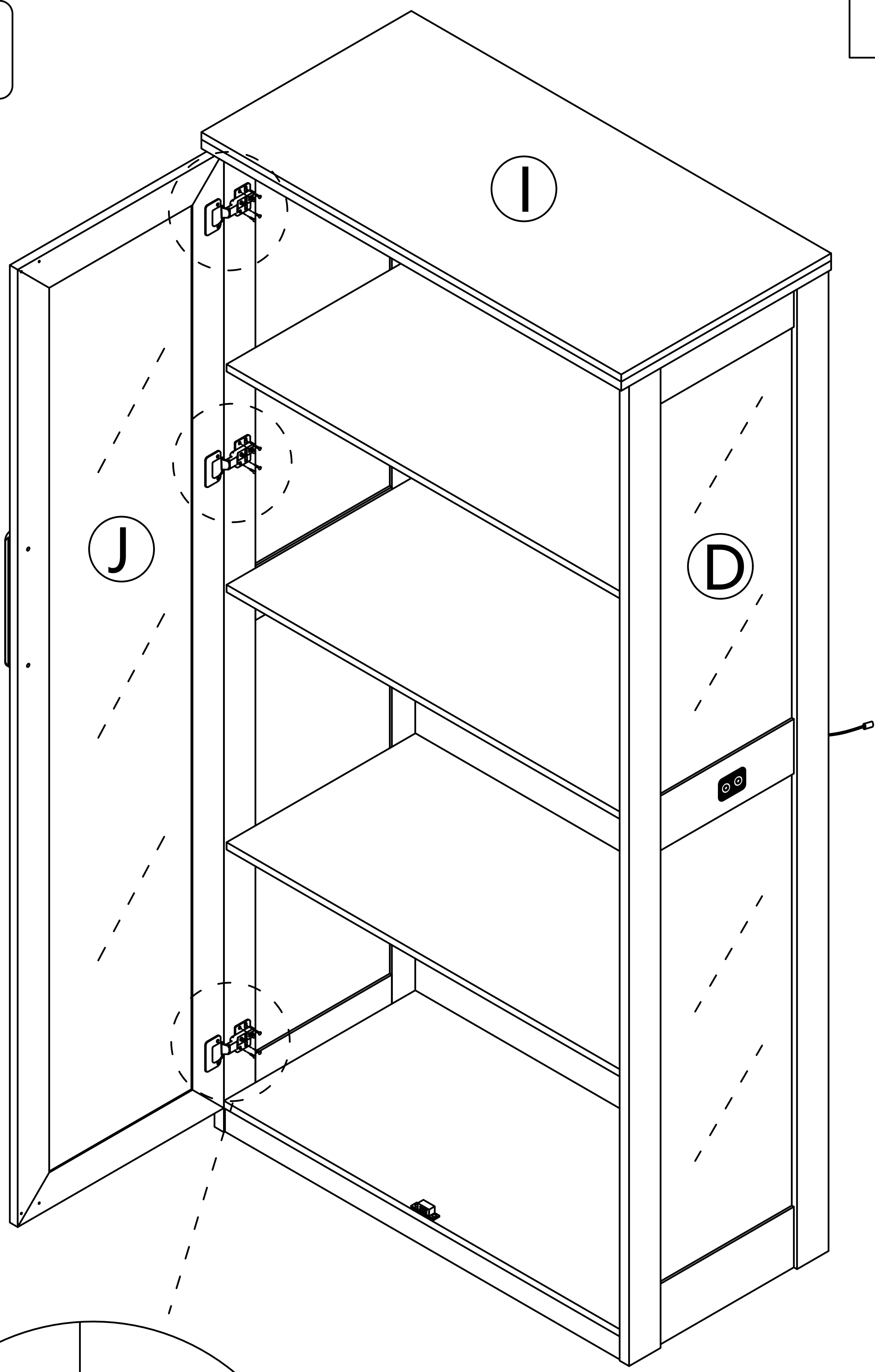
Step 17



4		
	x1	x2
9		
	x3	x6
11		
	x2	x4

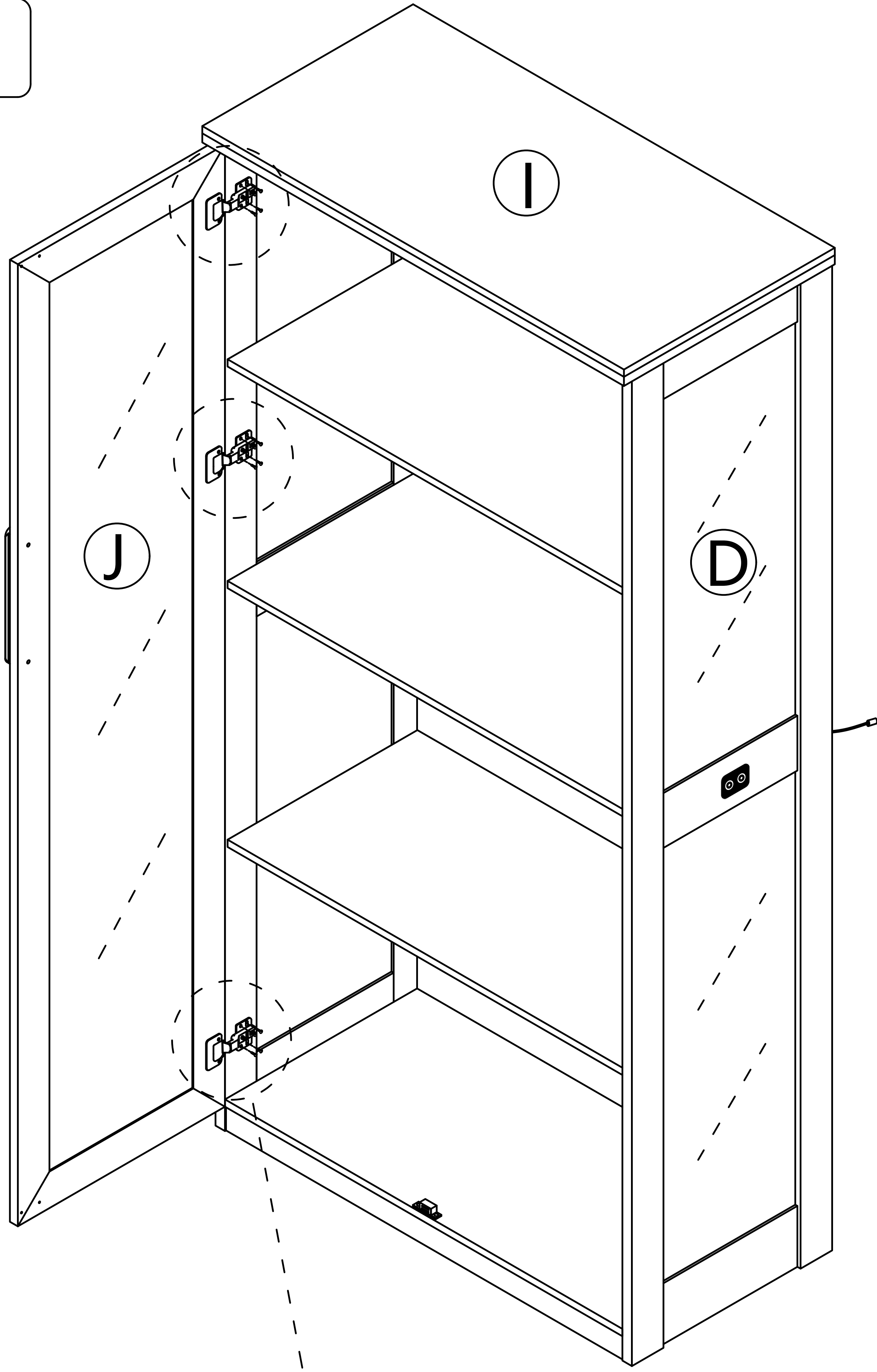
Step 18

9  x12

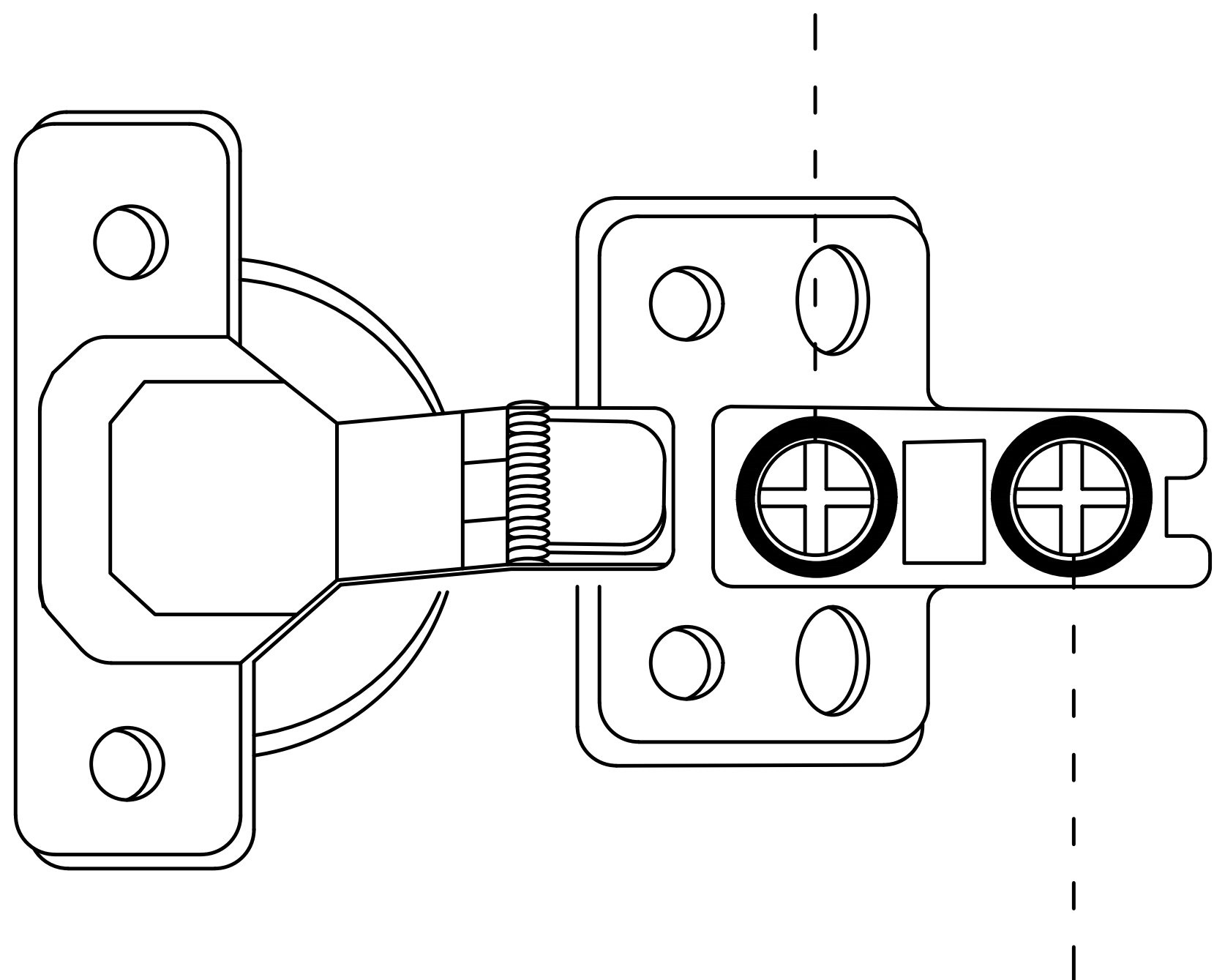


First lock the elliptical hole
then lock the fixed hole

Step 19

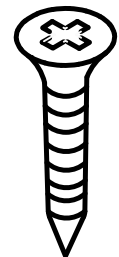


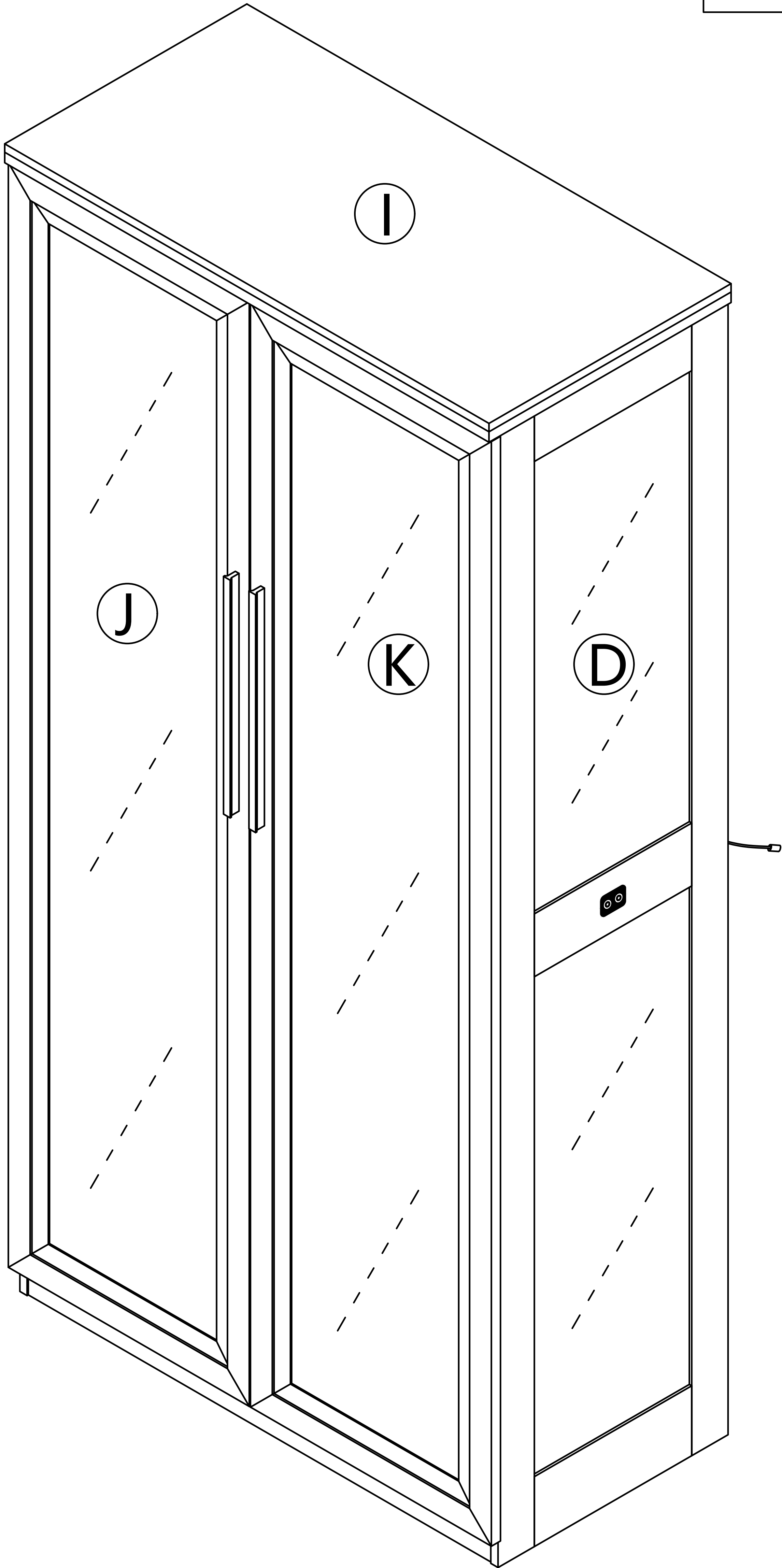
Turning this screw can effectively adjust the size of the door gap.



Turn this screw to adjust the door panel to be flat with the side panel.

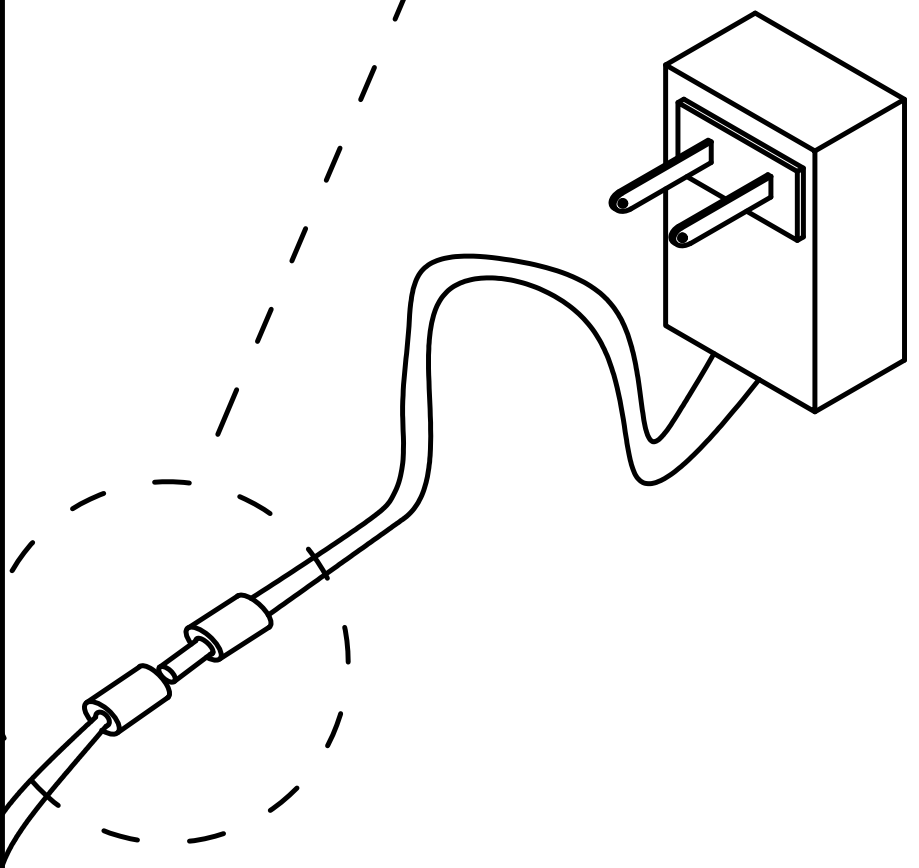
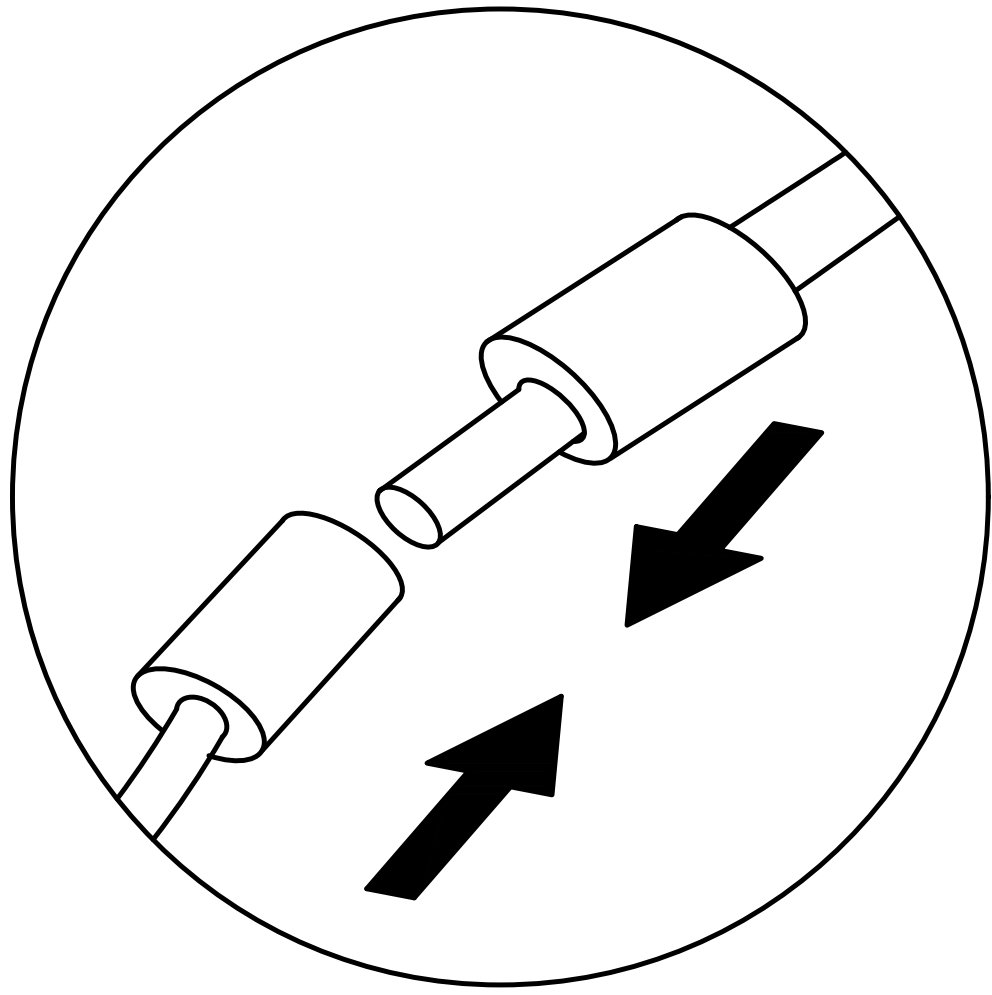
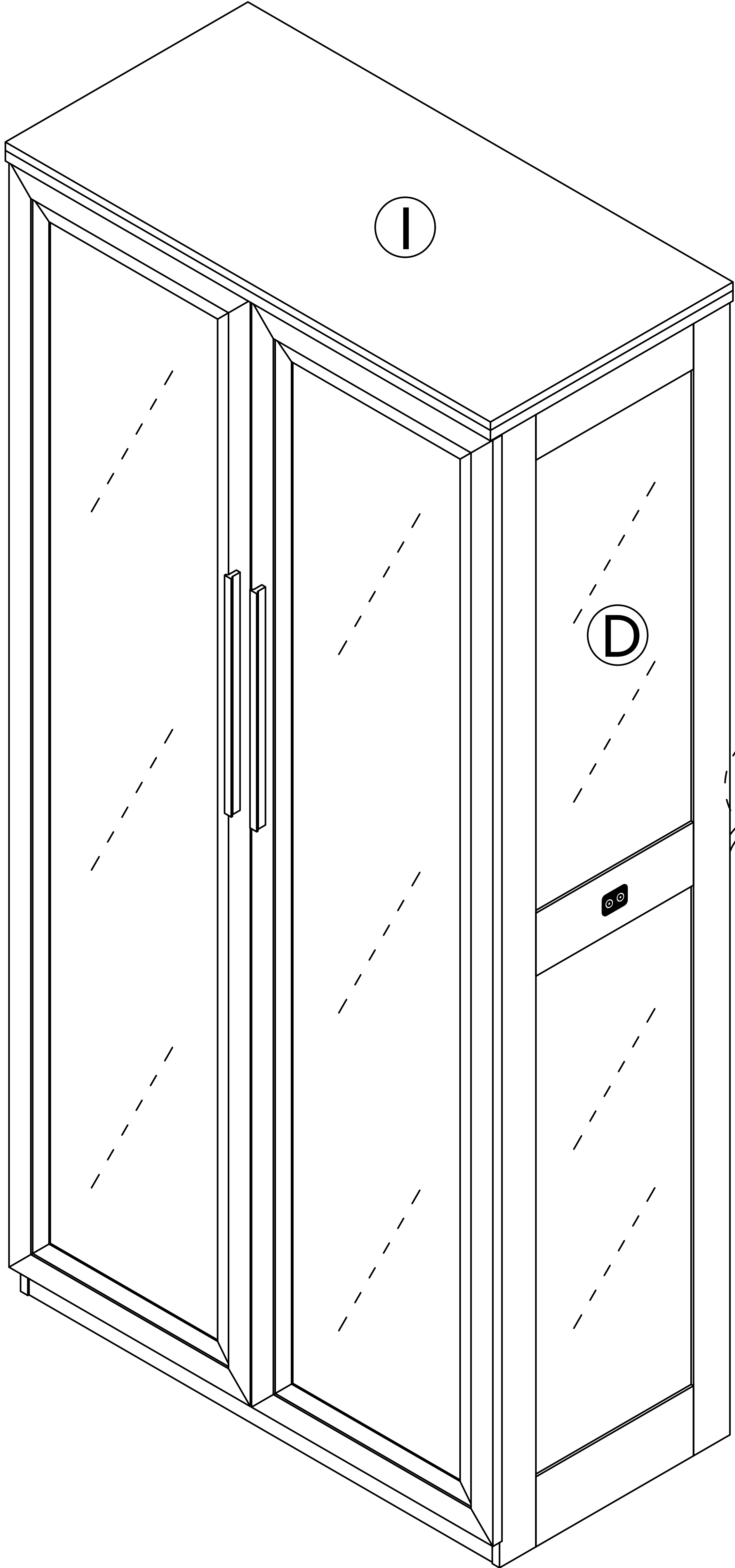
Step 20

9  x12



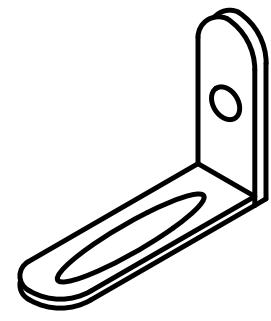
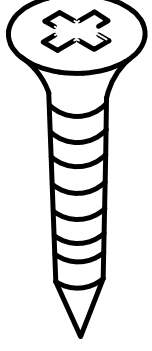
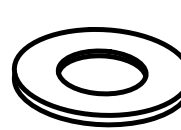
The installation method of the L door panel refers to that of the K door panel

Step 21

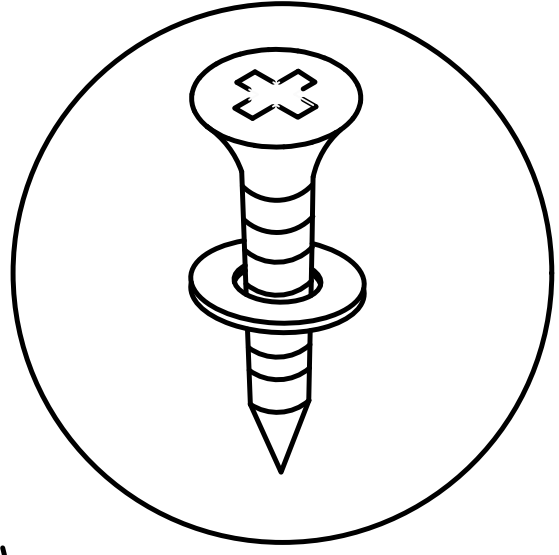


Step 22

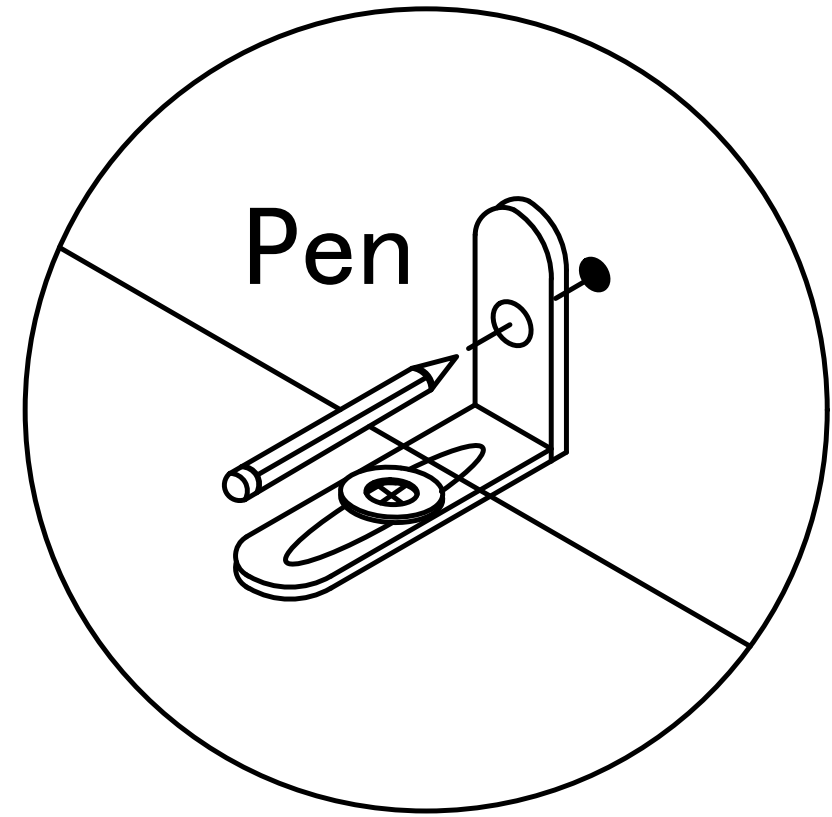
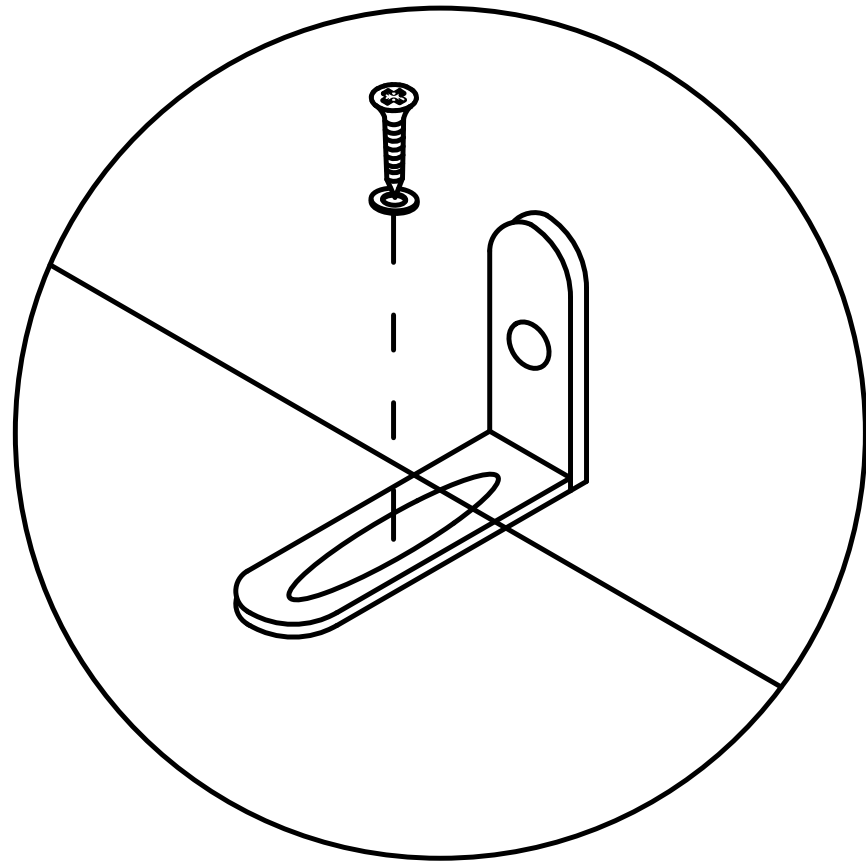
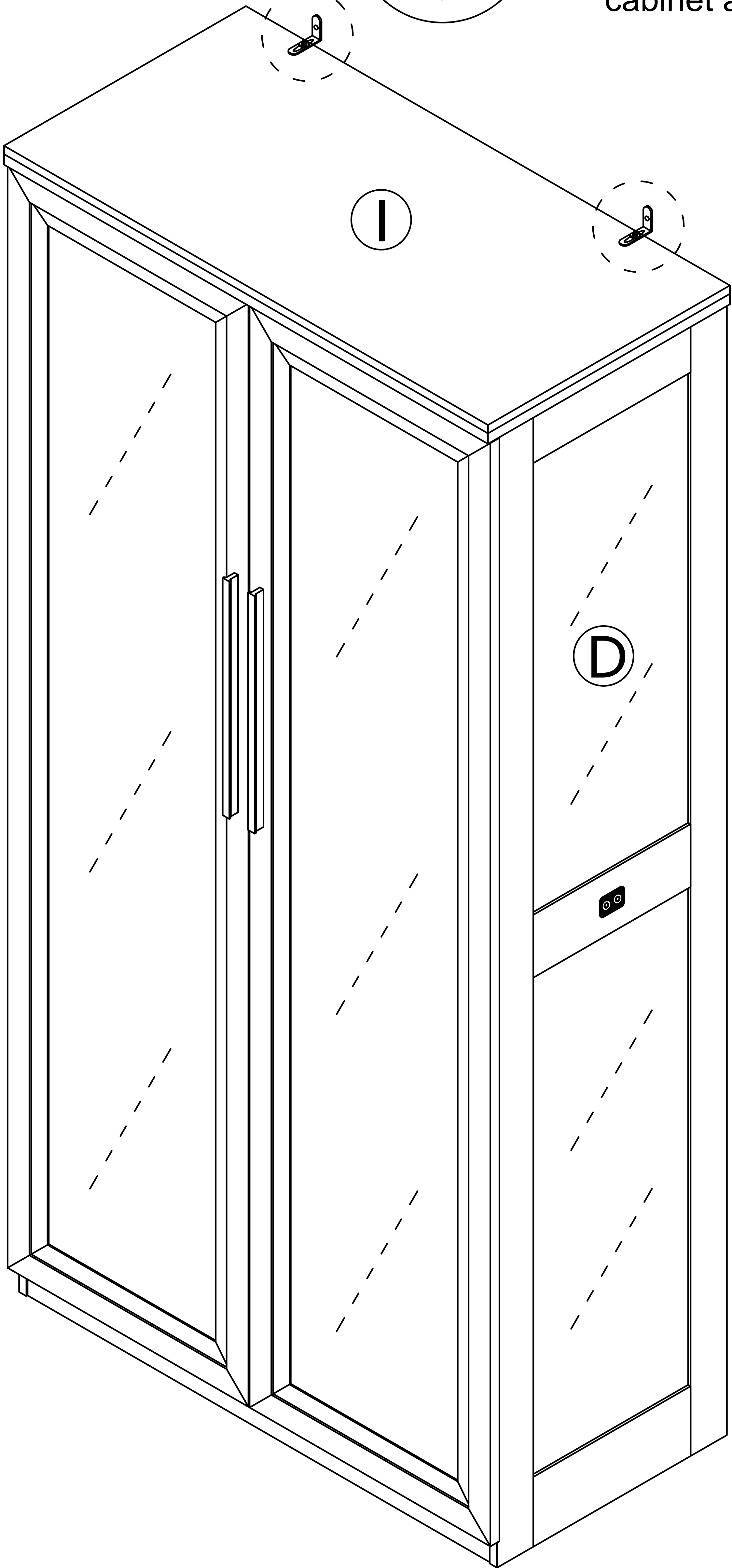
Install as required

12  x2  x2
 x2

3.5x14mm

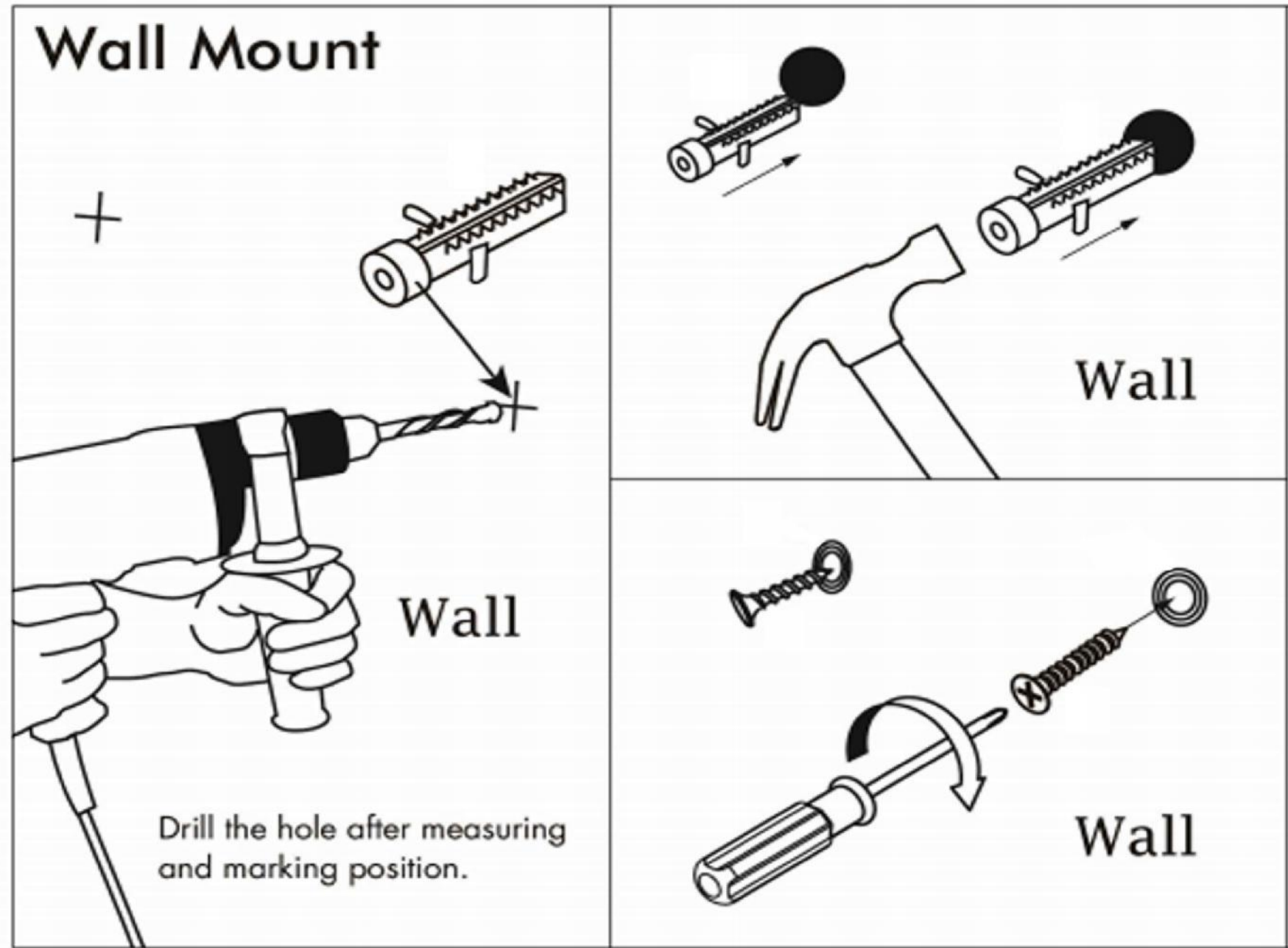



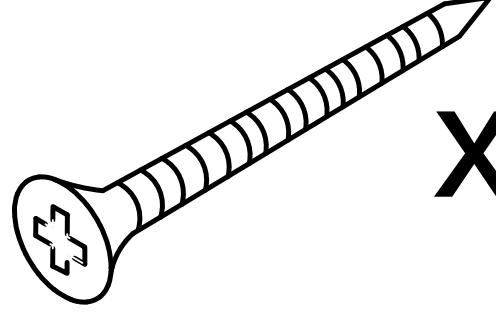
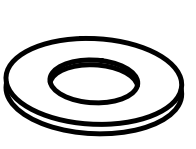
Install the anti fall hardware on the cabinet as shown in the picture first



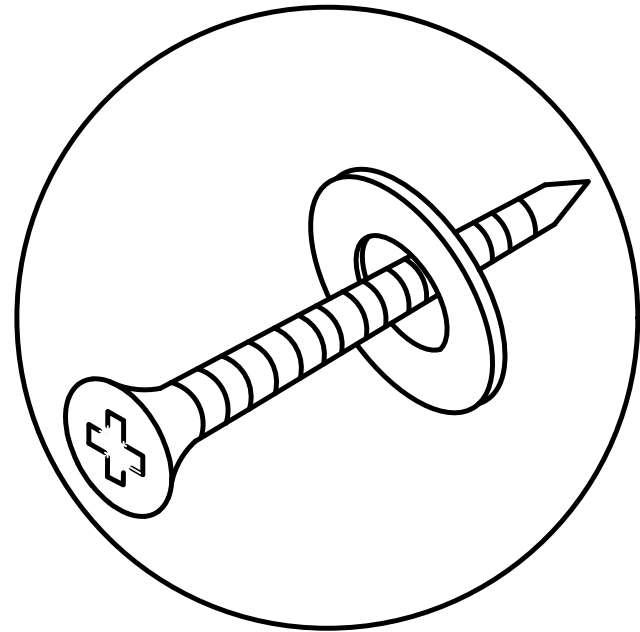
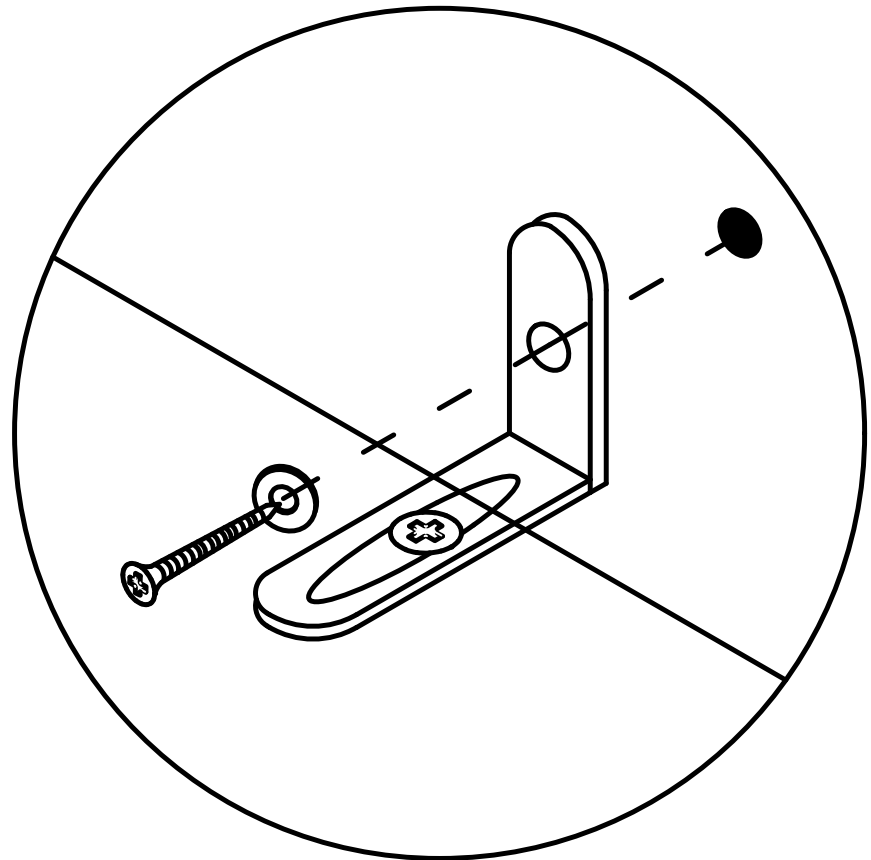
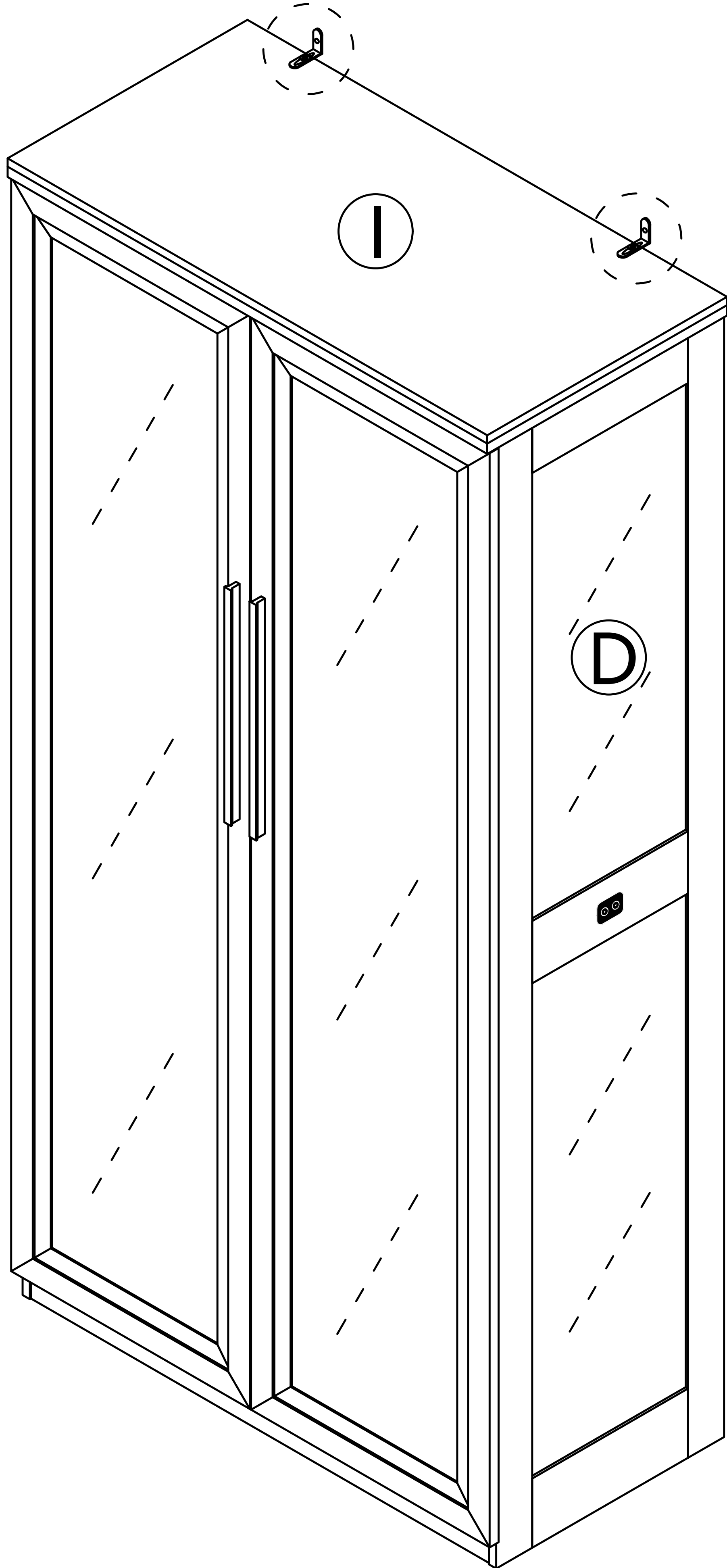
Then mark the wall with a pen through the holes in the anti-fall hardware

Step 23



- 12  x2
-  x2  x2

Drill the hole with an electric drill and punch in the colloidal particles



4x45mm

Fix the dressing table to the wall

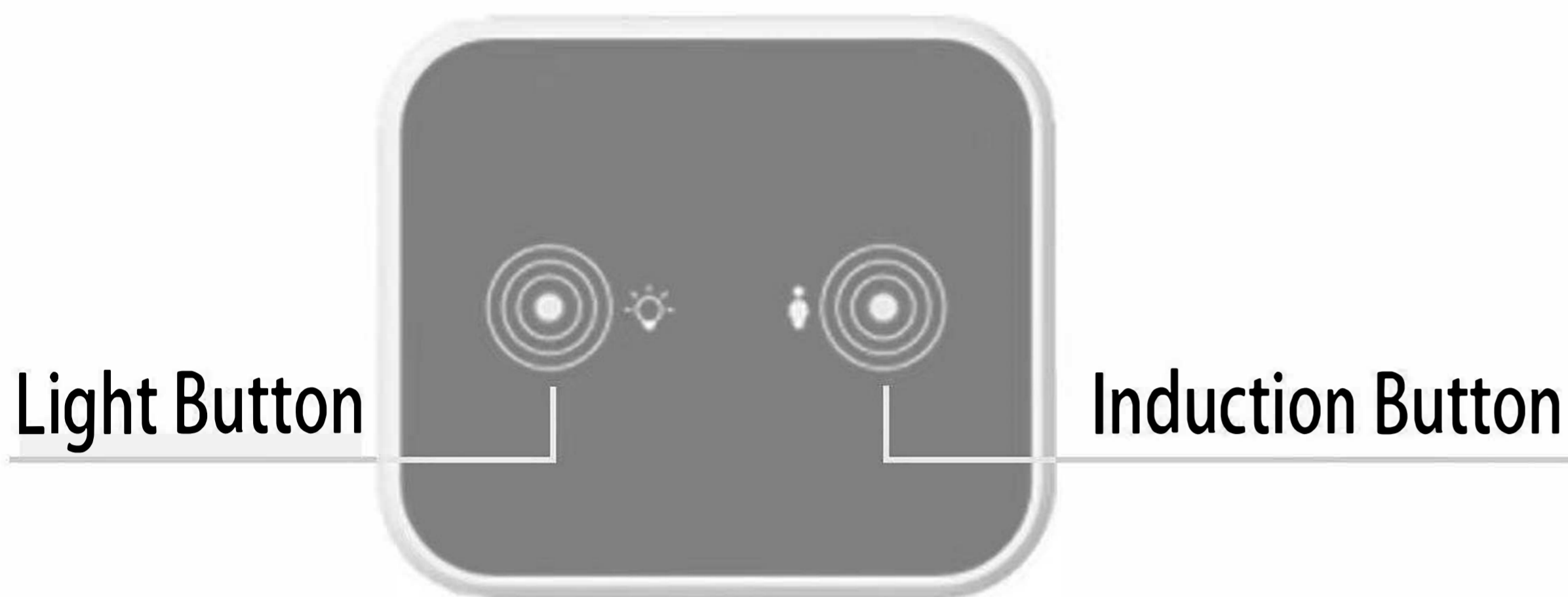
User's Guide

Thank you for purchasing this product. To use this product, please plug it into a 12V DC power supply. Please use if the product works normally after connecting to power.

Introduction

The box is an intelligent controller with 2 touch buttons. It can turn ON/OFF the light, change light colors, and adjust the light luminance.

Product Show



ATTENTION PLEASE

1. If there is no touch response suddenly, Re-plug the power to reset the touch static electricity.
2. If bubbles appear on the panel, remove the protective film.

Operation



This touch button is used to turn on/off, change colors, and adjust brightness.

A. Short touch -> lighting on -> short touch -> change light color -> short touch -> change light color -> short touch -> lighting off. B. Long touch -> adjust the luminance



This touch button is used to turn on/off the induction function.

A. Short touch to turn on the induction function. It can auto-turn on the light when people are close to the controller in 1 meters. It can auto power off the light when the body is far away from the controller after 30 seconds.

B. Long touch to turn off the induction function.

C. Note: When you touch the light button to change the light modes, the induction function will automatically turn off. It is best to turn on this function after selecting the light color and adjusting the brightness you want.